

US00D750146S

(12) **United States Design Patent**
Costa et al.

(10) **Patent No.:** **US D750,146 S**
(45) **Date of Patent:** **** Feb. 23, 2016**

(54) **CAMERA HOUSING**

(71) Applicant: **GoPro, Inc.**, San Mateo, CA (US)

(72) Inventors: **Mark Costa**, Menlo Park, CA (US);
Richard Gioscia, Santa Clara, CA (US)

(73) Assignee: **GoPro, Inc.**, San Mateo, CA (US)

(**) Term: **14 Years**

(21) Appl. No.: **29/492,291**

(22) Filed: **May 30, 2014**

(51) **LOC (10) Cl.** **16-01**

(52) **U.S. Cl.**
USPC **D16/200**

(58) **Field of Classification Search**
USPC D3/267; D16/200, 202–204, 208, 211,
D16/218, 219, 242; 248/176.1, 187.1;
348/81, 373–376; 396/25, 27, 29, 419,
396/535, 539–541; 206/316.2
CPC G03B 15/03; G03B 17/02; G03B 17/04;
G03B 17/08; G03B 17/56; G03B 19/04;
H04N 5/2251; H04N 5/2252; H04N 5/2253;
H04N 5/2254; A45C 11/38
See application file for complete search history.

(56) **References Cited**

U.S. PATENT DOCUMENTS

D367,283 S * 2/1996 Lyon D16/200
D419,296 S * 1/2000 Shinano D16/204
D453,177 S * 1/2002 Uehara D16/202
D550,742 S * 9/2007 Ishii D16/200
D616,479 S * 5/2010 Ganahl, Jr. D16/204
D621,432 S * 8/2010 Yim D16/204
8,014,656 B2 * 9/2011 Woodman B36B 25/002
396/25
D646,313 S 10/2011 Woodman
D647,554 S * 10/2011 Yim D16/204
D657,808 S 4/2012 Woodman
D674,428 S * 1/2013 Woodman D16/207
D674,429 S 1/2013 Woodman

D684,569 S * 6/2013 Willenborg D14/253
8,544,643 B2 * 10/2013 Yim G03B 17/08
206/316.2

D699,276 S 2/2014 Samuels et al.
D699,277 S 2/2014 Samuels et al.
D699,947 S * 2/2014 To D14/250

(Continued)

FOREIGN PATENT DOCUMENTS

EP 002586602-0001 2/2015
EP 002586602-0002 2/2015

OTHER PUBLICATIONS

GoPro, Inc., “Cameras,” 2014, 3 Pages, [online][Archived on
webarchive.org on Mar. 30, 2014][Retrieved on Aug. 31, 2015]
Retrieved from the internet <URL:https://web.archive.org/web/
20140330221442/http://gopro.com/cameras>.

Primary Examiner — Adir Aronovich
Assistant Examiner — Ramzi Almatrahi
(74) *Attorney, Agent, or Firm* — Fenwick & West LLP

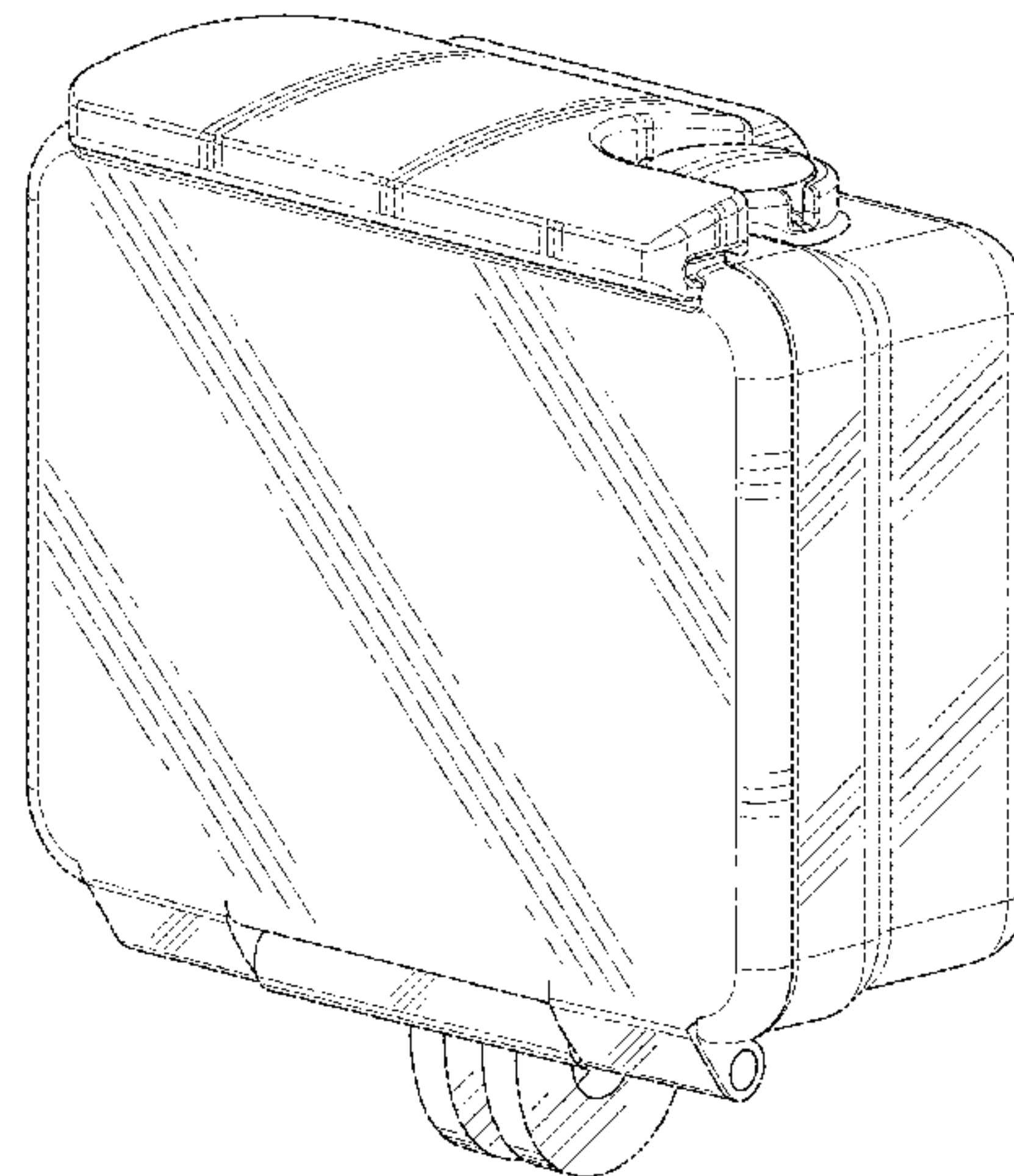
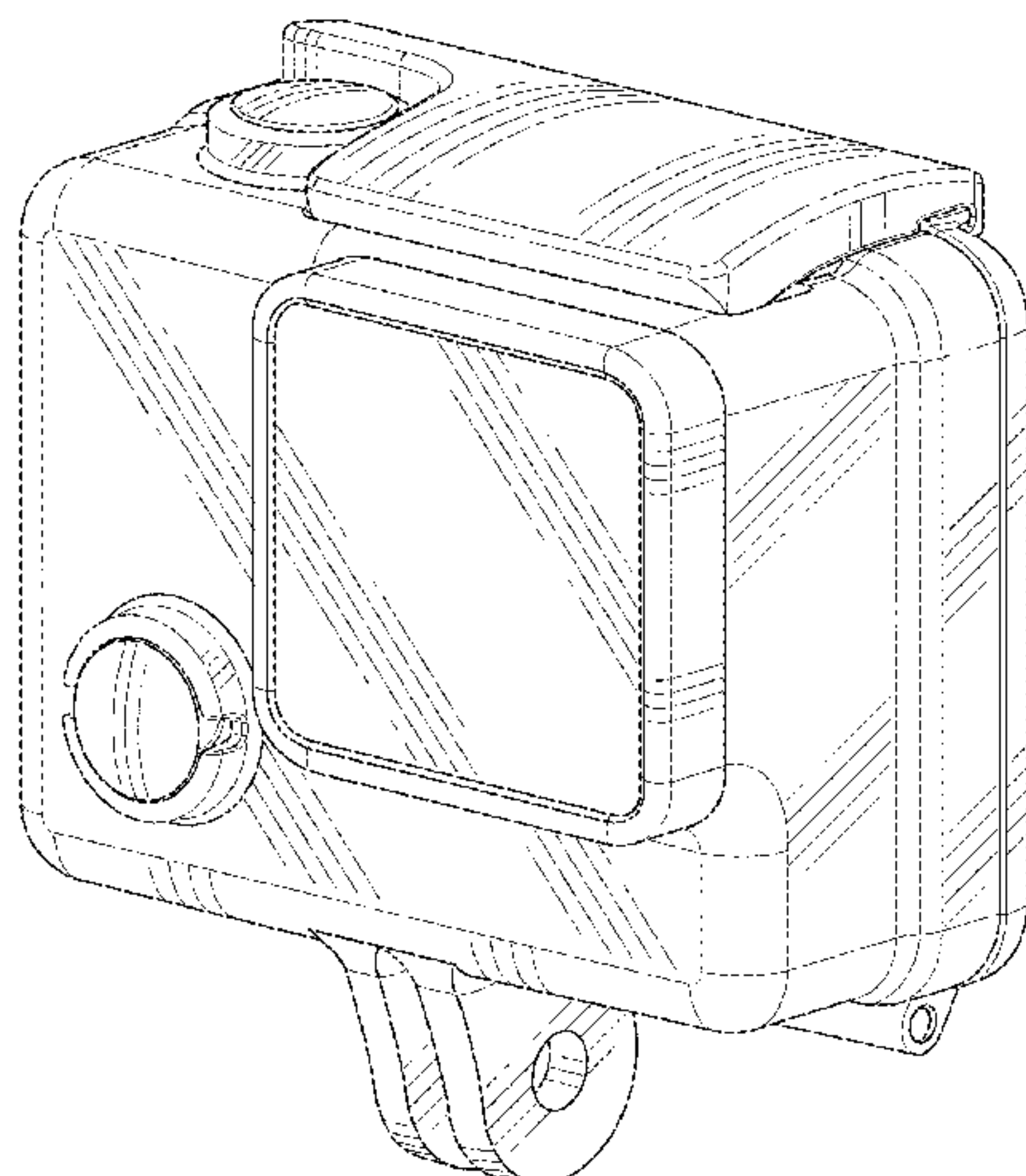
(57) **CLAIM**

The ornamental design for a camera housing, as shown and
described.

DESCRIPTION

FIG. 1 is a front, top, and right side perspective view of a
camera housing showing our new design;
FIG. 2 is a front, bottom and left side perspective view
thereof;
FIG. 3 is a back, top and left side perspective view thereof;
FIG. 4 is a back, bottom and right side perspective view
thereof;
FIG. 5 is a front elevational view thereof;
FIG. 6 is a back elevational view thereof;
FIG. 7 is a left side elevational view thereof;
FIG. 8 is a right side elevational view thereof;
FIG. 9 is a top plan view thereof; and,
FIG. 10 is a bottom plan view thereof.

1 Claim, 10 Drawing Sheets



(56)

References Cited

U.S. PATENT DOCUMENTS

D700,778 S * 3/2014 To D14/250
D702,276 S 4/2014 Woodman
D702,277 S 4/2014 Woodman
D702,747 S 4/2014 Woodman et al.
D710,921 S 8/2014 Gioscia et al.
D710,922 S 8/2014 Gioscia et al.
8,837,928 B1 9/2014 Clearman et al.

D721,395 S 1/2015 Woodman et al.
D724,637 S 3/2015 Samuels et al.
D724,638 S 3/2015 Samuels et al.
D725,169 S 3/2015 Gioscia et al.
D732,593 S 6/2015 Woodman
D734,799 S 7/2015 Woodman et al.
D735,790 S 8/2015 Gioscia et al.
D737,879 S 9/2015 Woodman et al.
D739,451 S 9/2015 Gioscia et al.

* cited by examiner

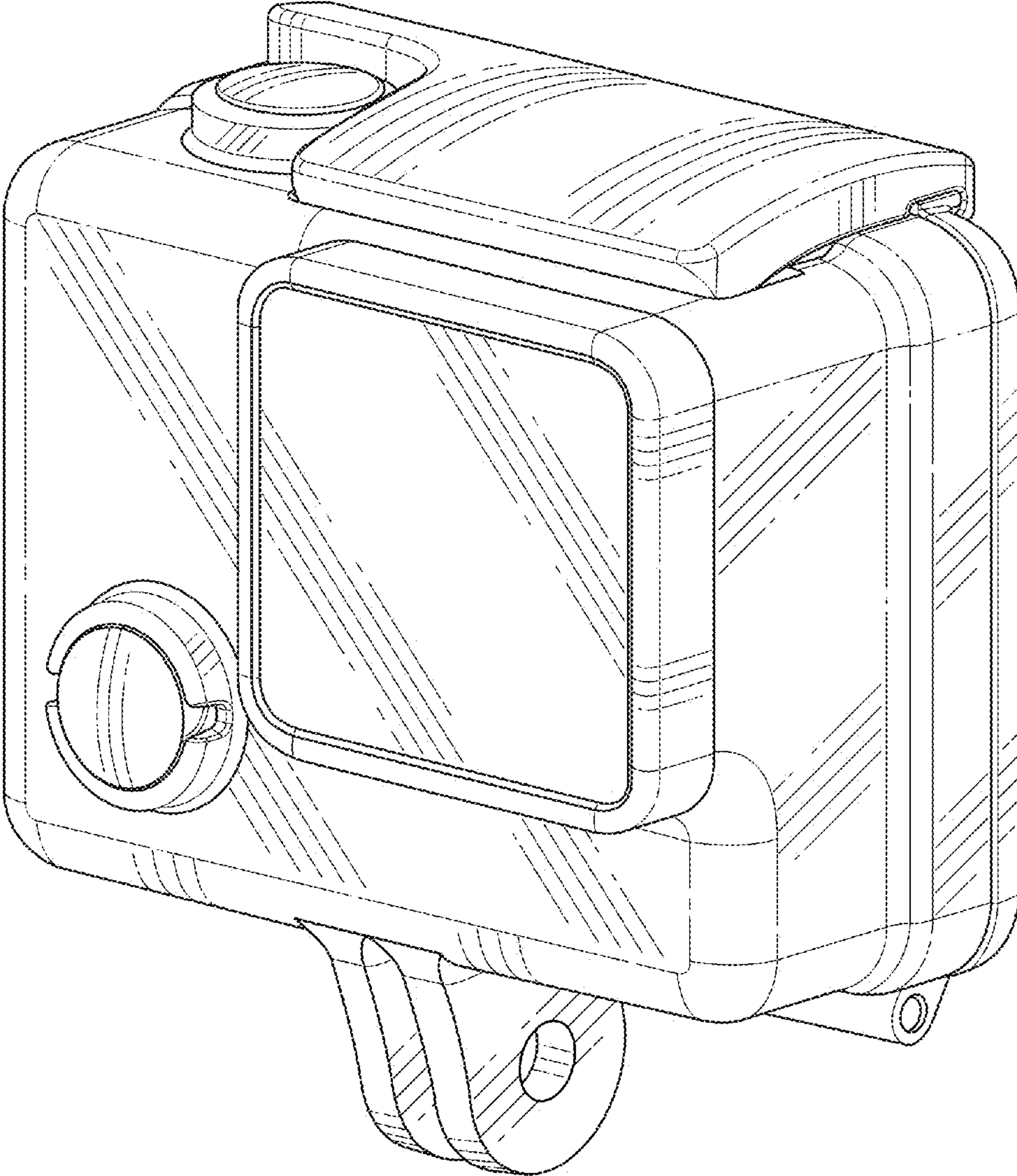


FIG. 1

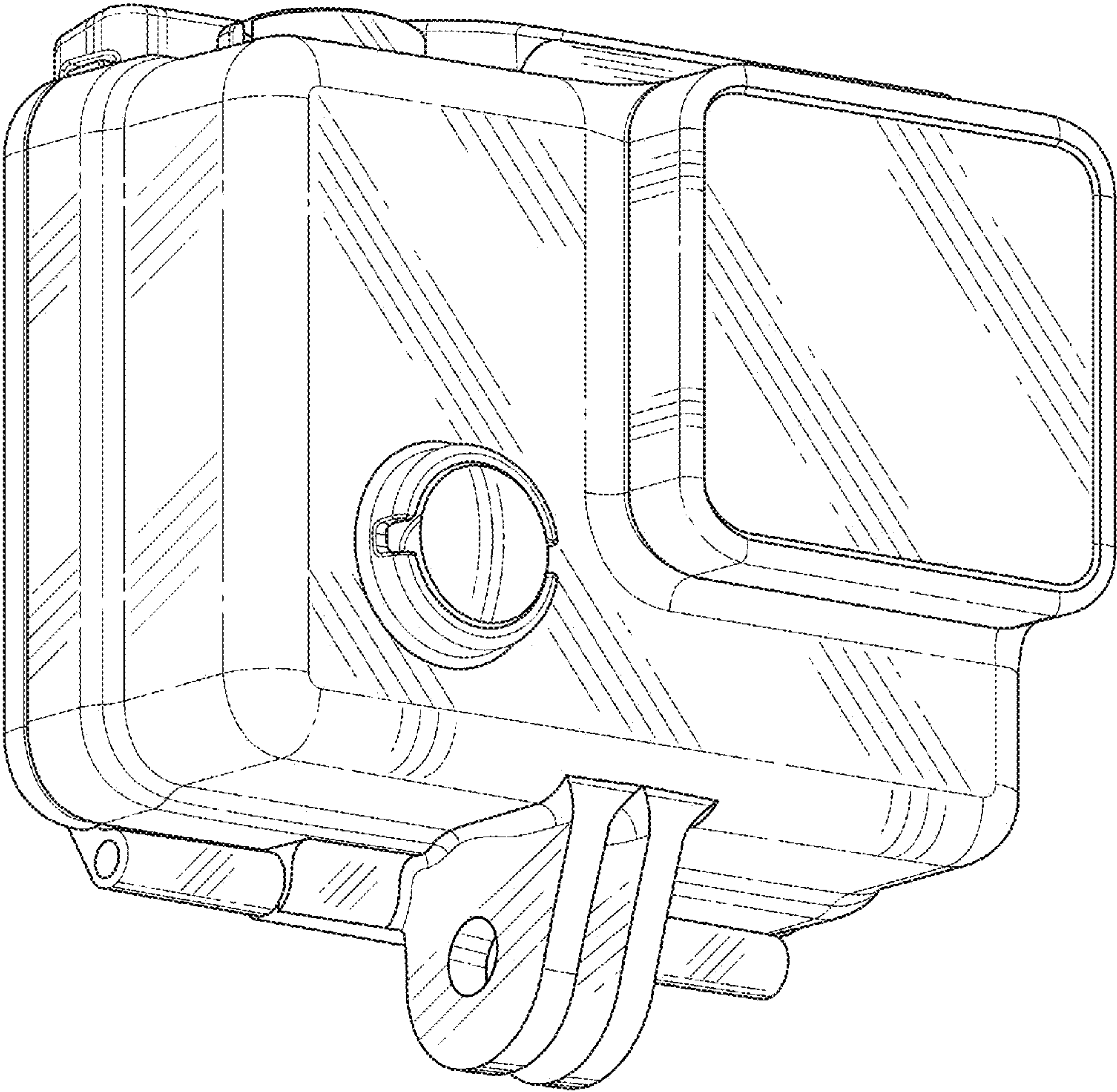


FIG. 2

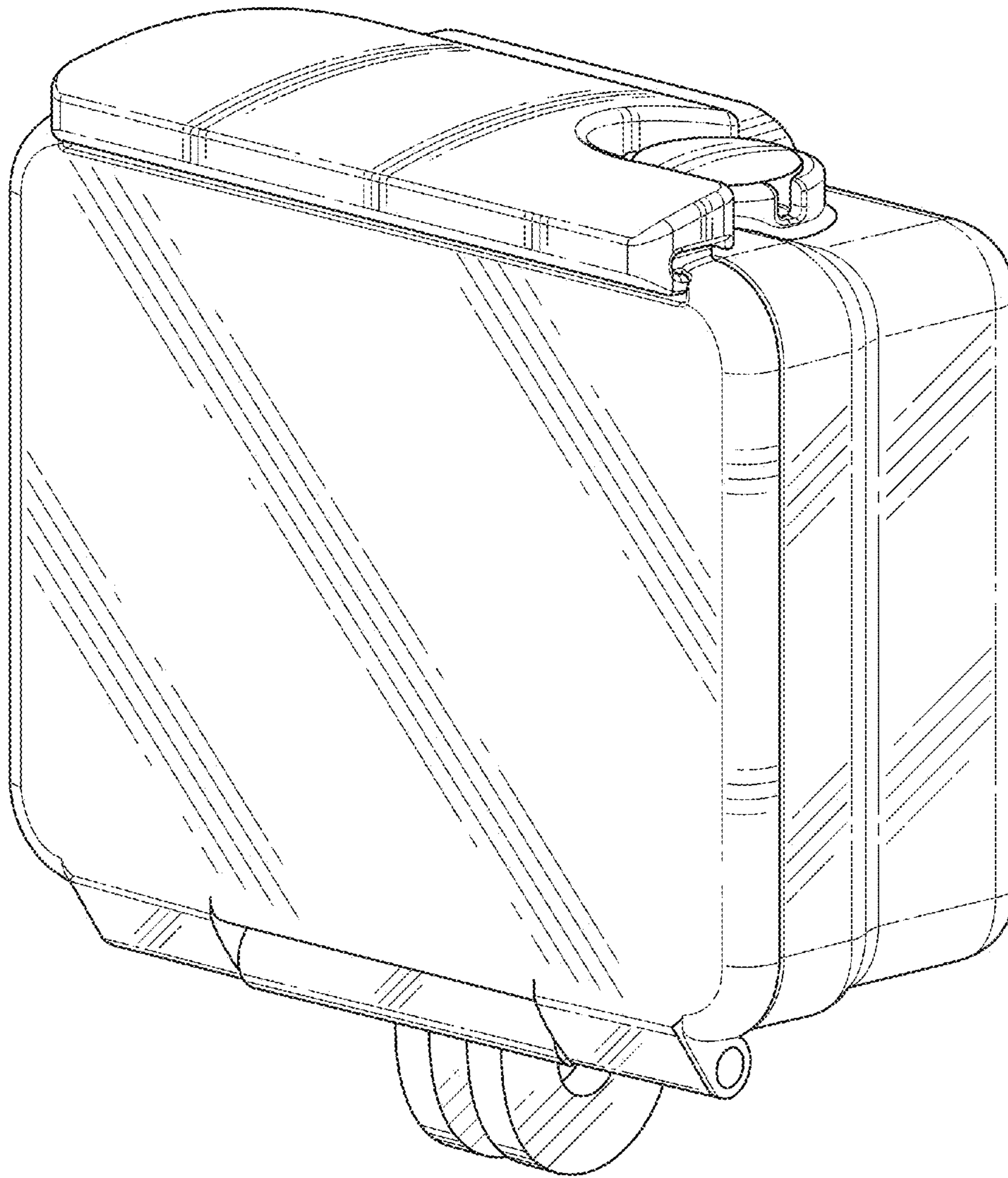


FIG. 3

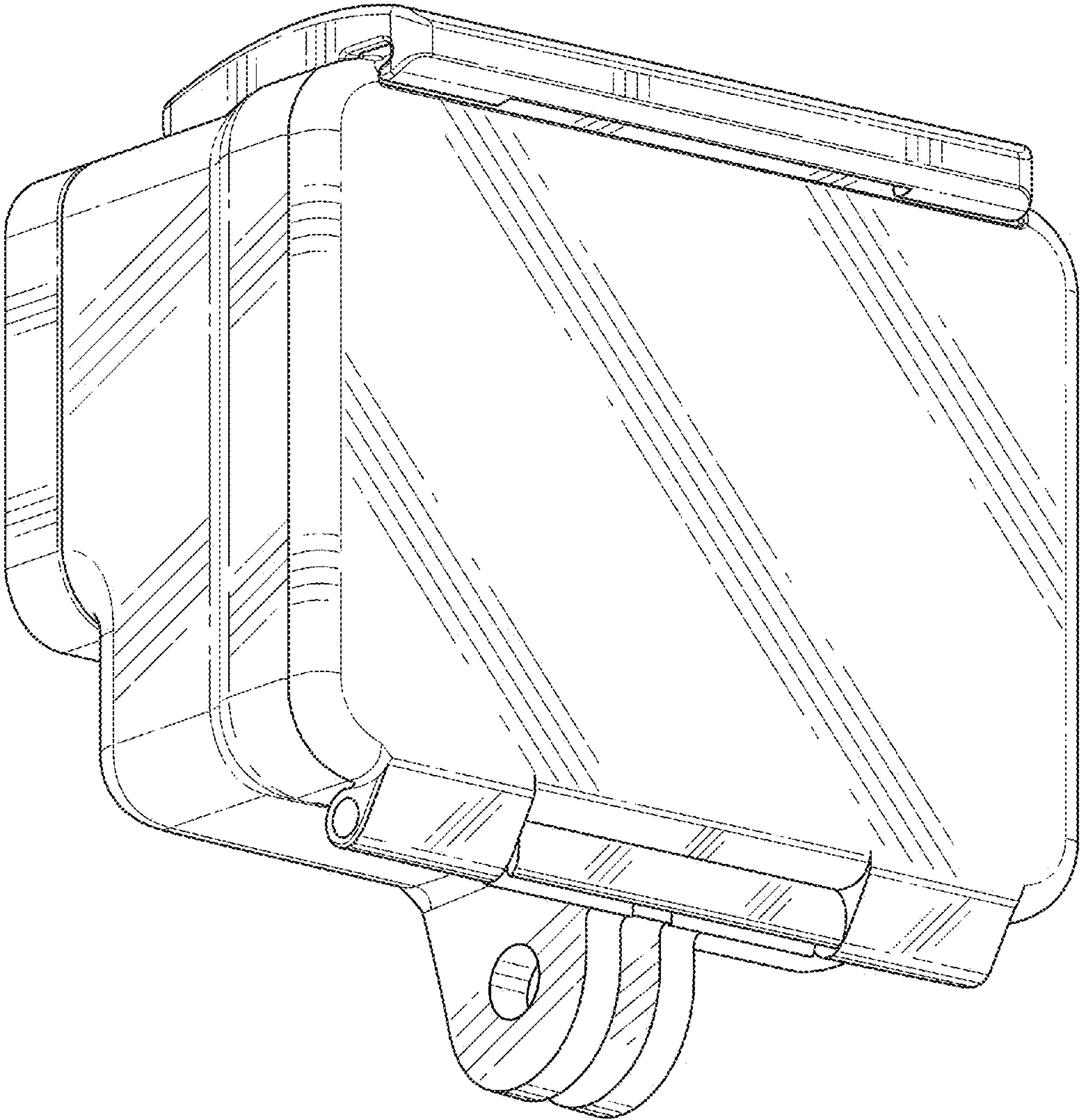


FIG. 4

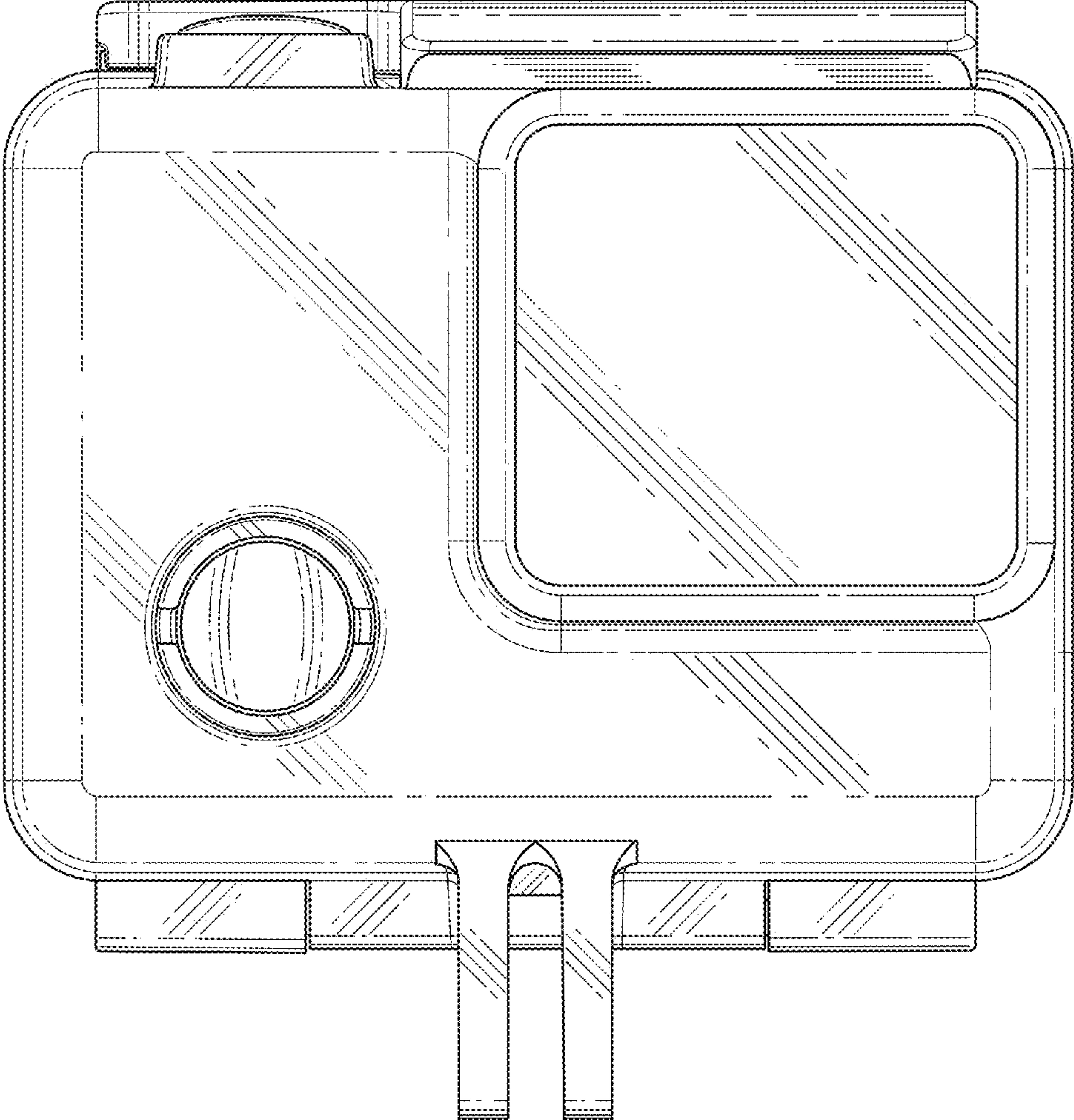


FIG. 5

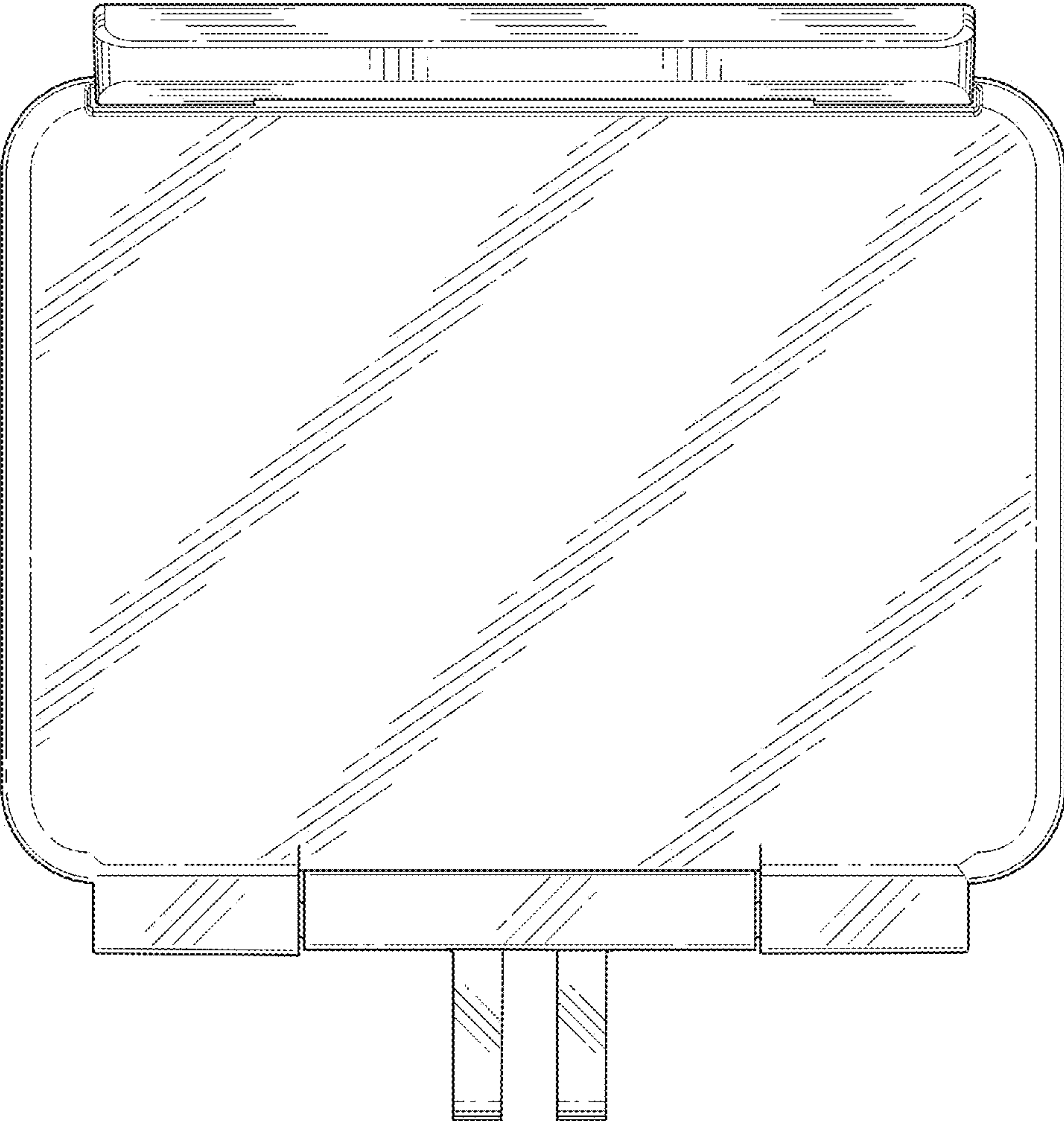


FIG. 6

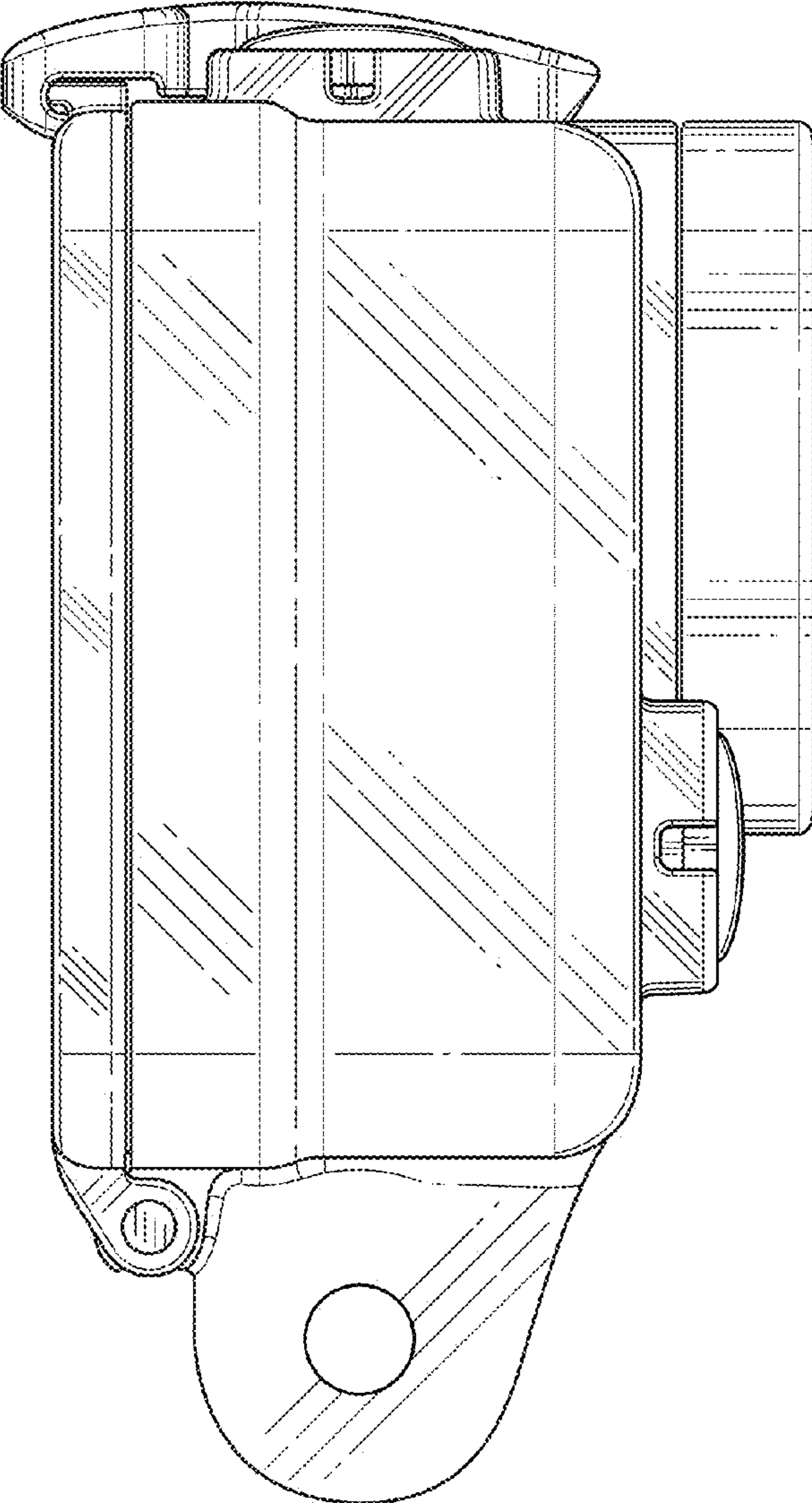


FIG. 7

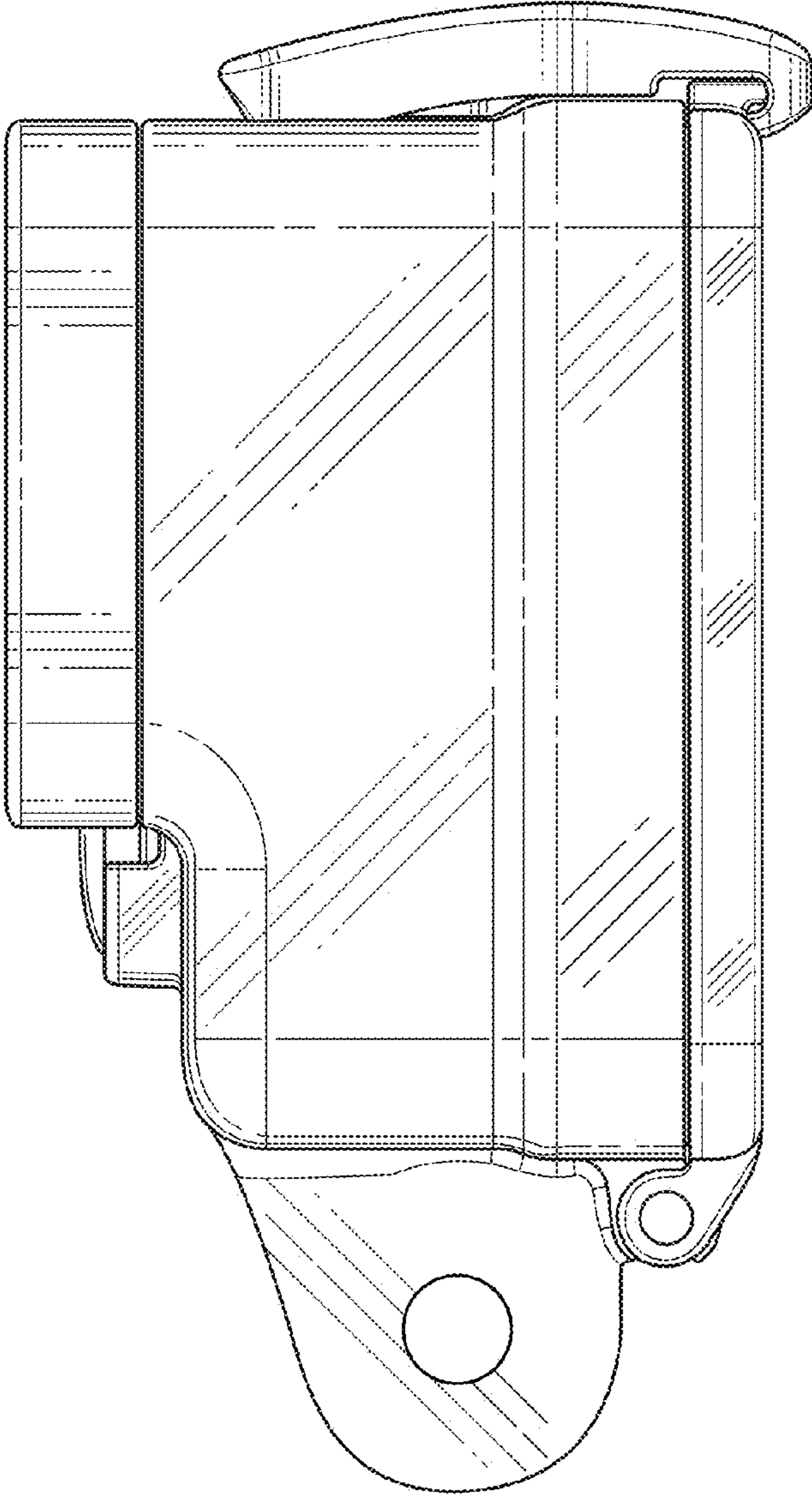


FIG. 8

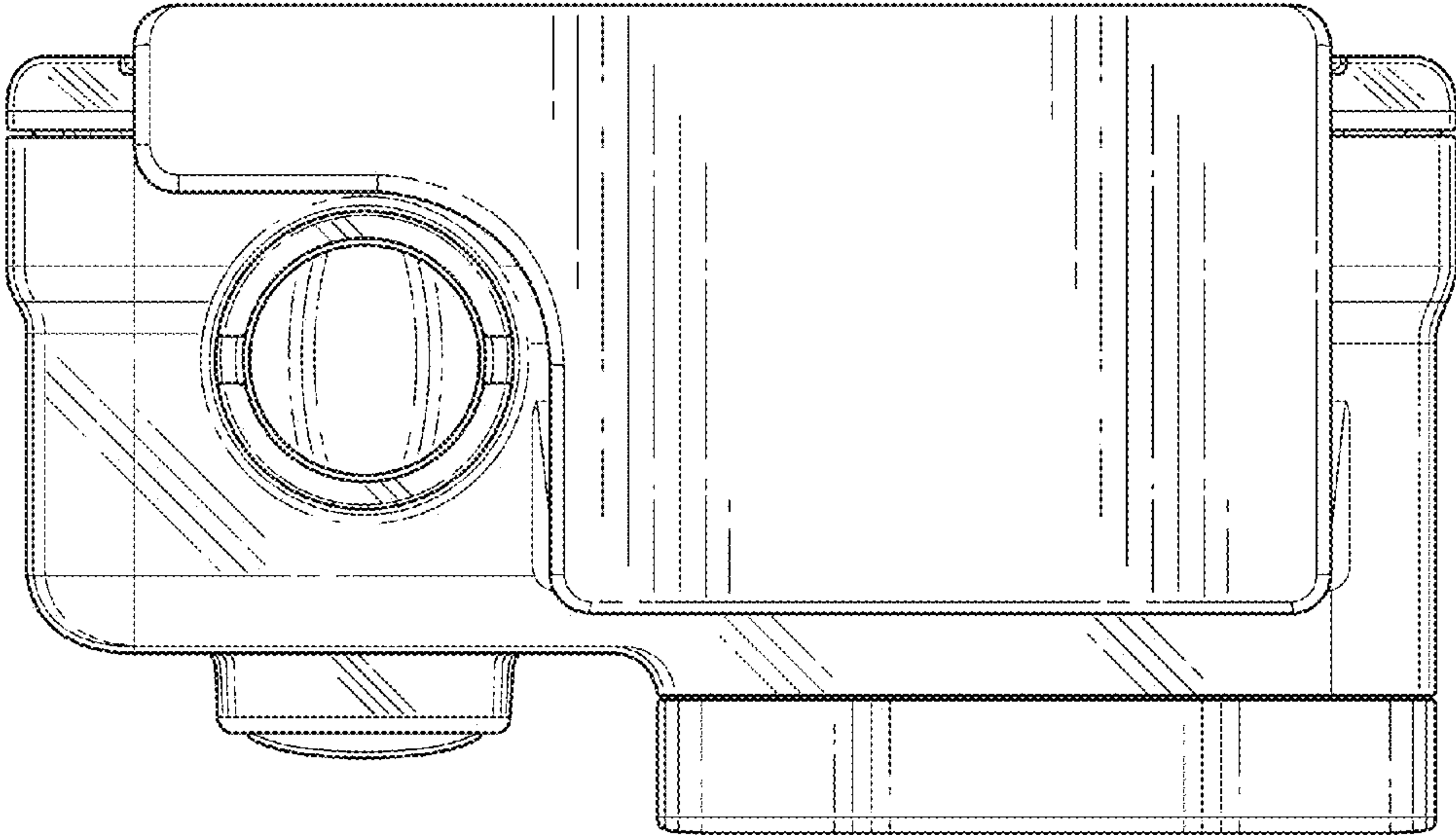


FIG. 9

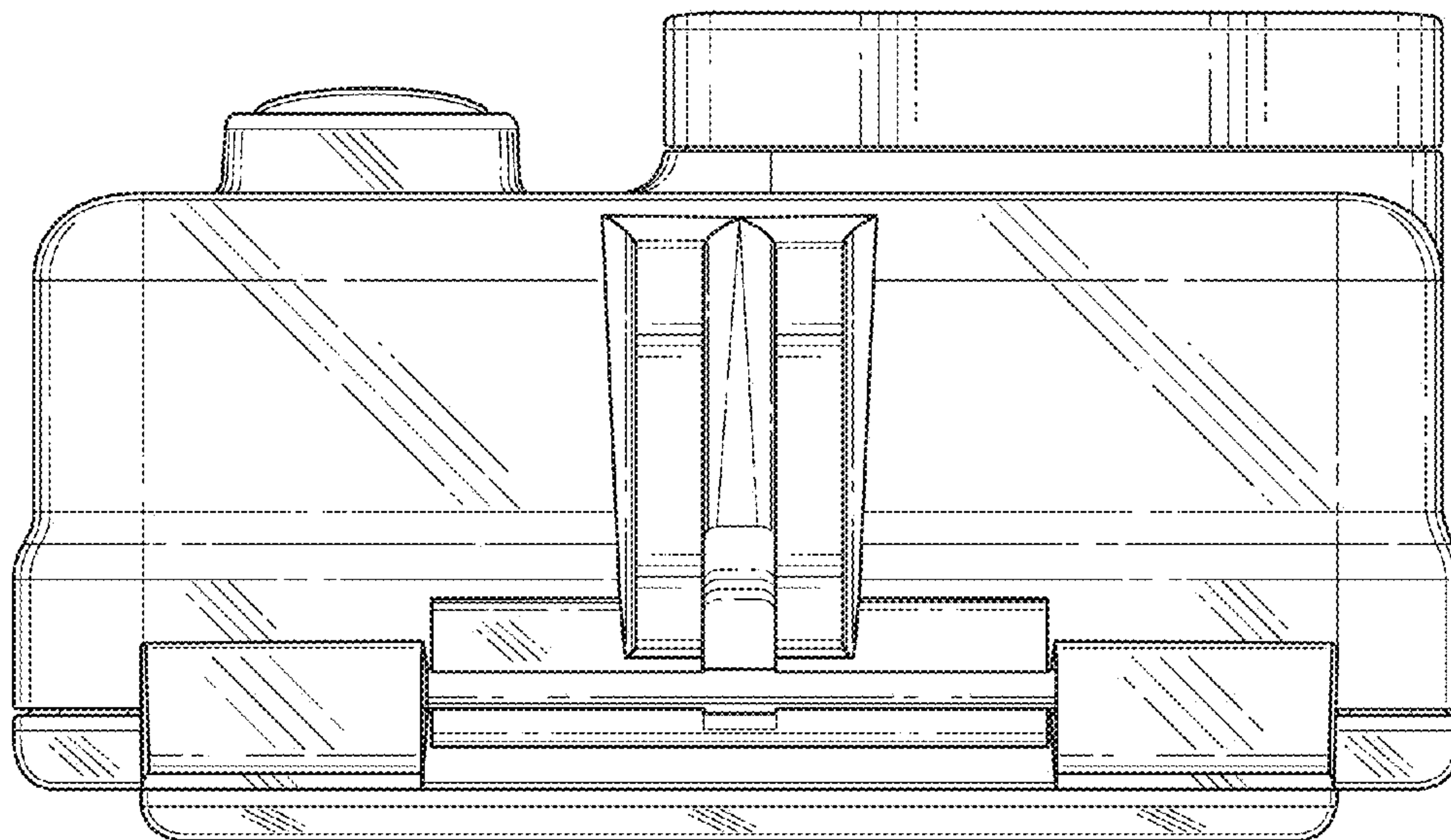


FIG. 10