



US00D750143S

(12) **United States Design Patent**  
**Oetlinger**

(10) **Patent No.:** **US D750,143 S**  
(45) **Date of Patent:** **\*\* Feb. 23, 2016**

- (54) **CORNER PIECE**
- (71) Applicant: **Blanking Systems, Inc.**, Grafton, WI (US)
- (72) Inventor: **Frank E. Oetlinger**, Grafton, WI (US)
- (73) Assignee: **Blanking Systems, Inc.**, Grafton, WI (US)
- (\*\*) Term: **14 Years**
- (21) Appl. No.: **29/501,555**
- (22) Filed: **Sep. 5, 2014**

4,259,887 A	4/1981	Dean
D342,662 S	12/1993	Lavin, Sr.
5,337,641 A	8/1994	Duginske
5,443,554 A	8/1995	Robert
5,671,580 A	9/1997	Chou
5,768,966 A	6/1998	Duginske
5,845,555 A	12/1998	Dawley
6,116,131 A	9/2000	Fasske
6,390,719 B1	5/2002	Chan
6,708,858 B2	3/2004	Oetlinger
6,712,254 B2	3/2004	Oetlinger
6,715,953 B2	4/2004	Oetlinger et al.
6,722,811 B2	4/2004	Oetlinger

(Continued)

**FOREIGN PATENT DOCUMENTS**

JP	2004-060789	2/2004
KR	20-0372245	1/2005

(Continued)

*Primary Examiner* — Mark Goodwin

(74) *Attorney, Agent, or Firm* — Boyle Fredickson, S.C.

**Related U.S. Application Data**

(62) Division of application No. 29/406,291, filed on Nov. 11, 2011, now Pat. No. Des. 715,339.

(51) **LOC (10) Cl.** ..... **15-09**

(52) **U.S. Cl.**  
USPC ..... **D15/138**

(58) **Field of Classification Search**  
USPC ..... D8/349, 354, 382, 400; D15/138, 140;  
D12/223; 83/103, 468.1, 468.2, 468.7,  
83/698.41, 698.51, 698.61, 699.31, 701,  
83/859; 225/97; 403/110, 374.3, 393, 402;  
493/73, 76  
CPC ..... Y10T 403/7016; Y10T 403/4662;  
Y10T 403/7067; Y10T 403/7073; Y10T  
403/64; Y10T 403/4602; Y10T 403/7075;  
Y10T 403/3981; Y10T 403/4682; Y10T  
403/4677; Y10T 403/4621; Y10T 703/70;  
Y10T 403/32; F16B 7/18

See application file for complete search history.

(56) **References Cited**

**U.S. PATENT DOCUMENTS**

3,877,690 A	4/1975	Owens
4,017,199 A	4/1977	Strassle

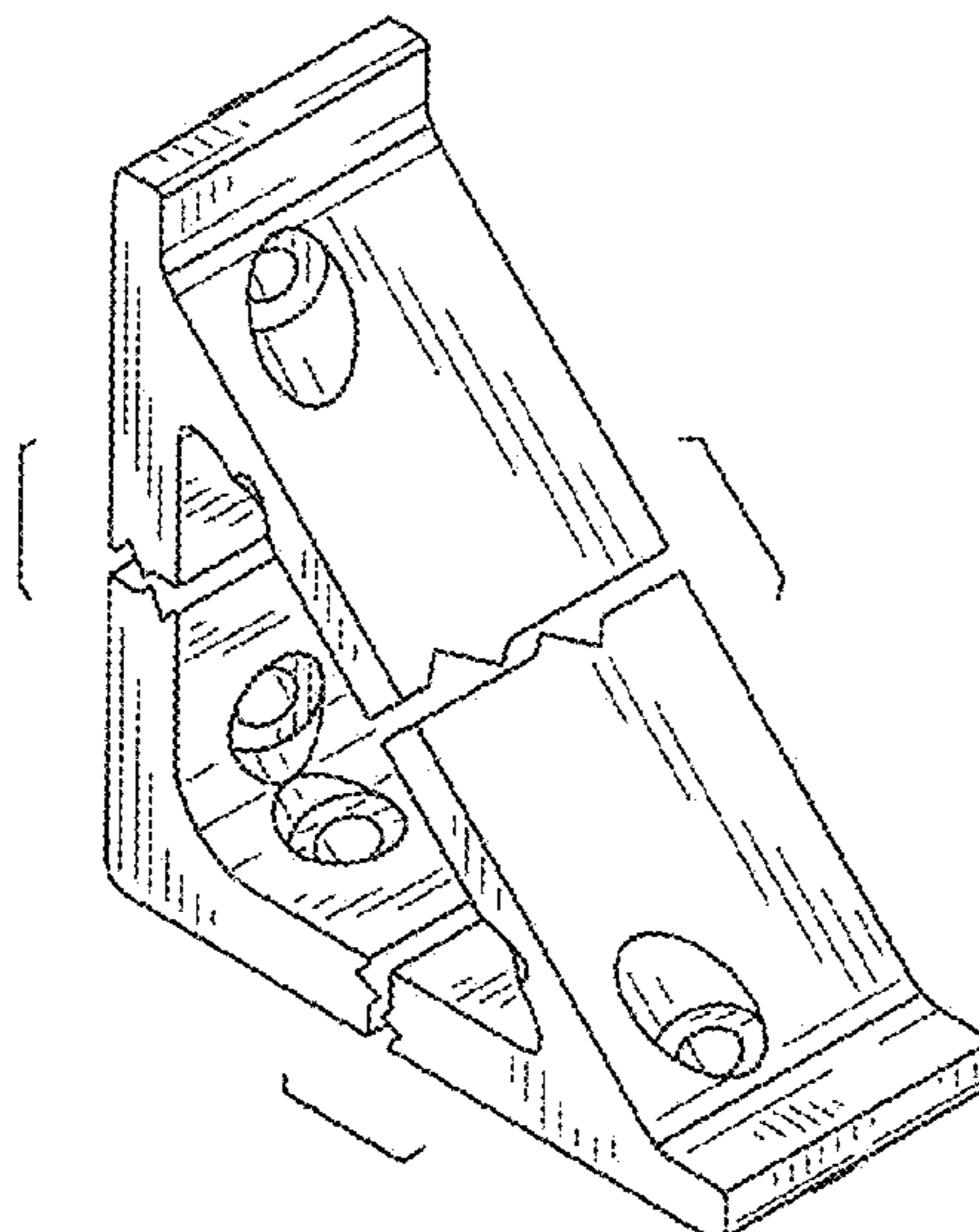
(57) **CLAIM**

The ornamental design for a corner piece, as shown and described.

**DESCRIPTION**

FIG. 1 is an isometric view of a third embodiment of a corner piece in accordance with the present invention; FIG. 2 is a side elevational view of a first side of the corner piece of FIG. 1; FIG. 3 is a side elevational view of a second side of the corner piece of FIG. 1; FIG. 4 is a front elevational view of the corner piece of FIG. 1; FIG. 5 is a rear elevational view of the corner piece of FIG. 1; FIG. 6 is a top plan view of the corner piece of FIG. 1; and, FIG. 7 is bottom plan view of the corner piece of FIG. 1.

**1 Claim, 3 Drawing Sheets**



(56)

**References Cited**

U.S. PATENT DOCUMENTS

D490,295 S 5/2004 Neider et al.  
6,769,342 B2 8/2004 Oetlinger  
6,796,474 B2 9/2004 Oetlinger  
6,904,837 B2 6/2005 Oetlinger  
6,942,132 B2 9/2005 Oetlinger  
6,997,364 B2 2/2006 Oetlinger  
7,143,916 B2 12/2006 Oetlinger  
7,182,235 B2 2/2007 Oetlinger  
7,185,797 B2 3/2007 Oetlinger et al.

7,600,355 B1 10/2009 Klein  
D628,539 S 12/2010 Tezak et al.  
7,992,752 B2 8/2011 Oetlinger  
D654,936 S 2/2012 Oetlinger  
8,141,828 B2 3/2012 Clark  
D692,469 S 10/2013 Oetlinger  
2011/0262220 A1 10/2011 Oetlinger  
2011/0262221 A1 10/2011 Oetlinger

FOREIGN PATENT DOCUMENTS

KR 10-2010-0016683 2/2010  
WO 03070437 8/2003

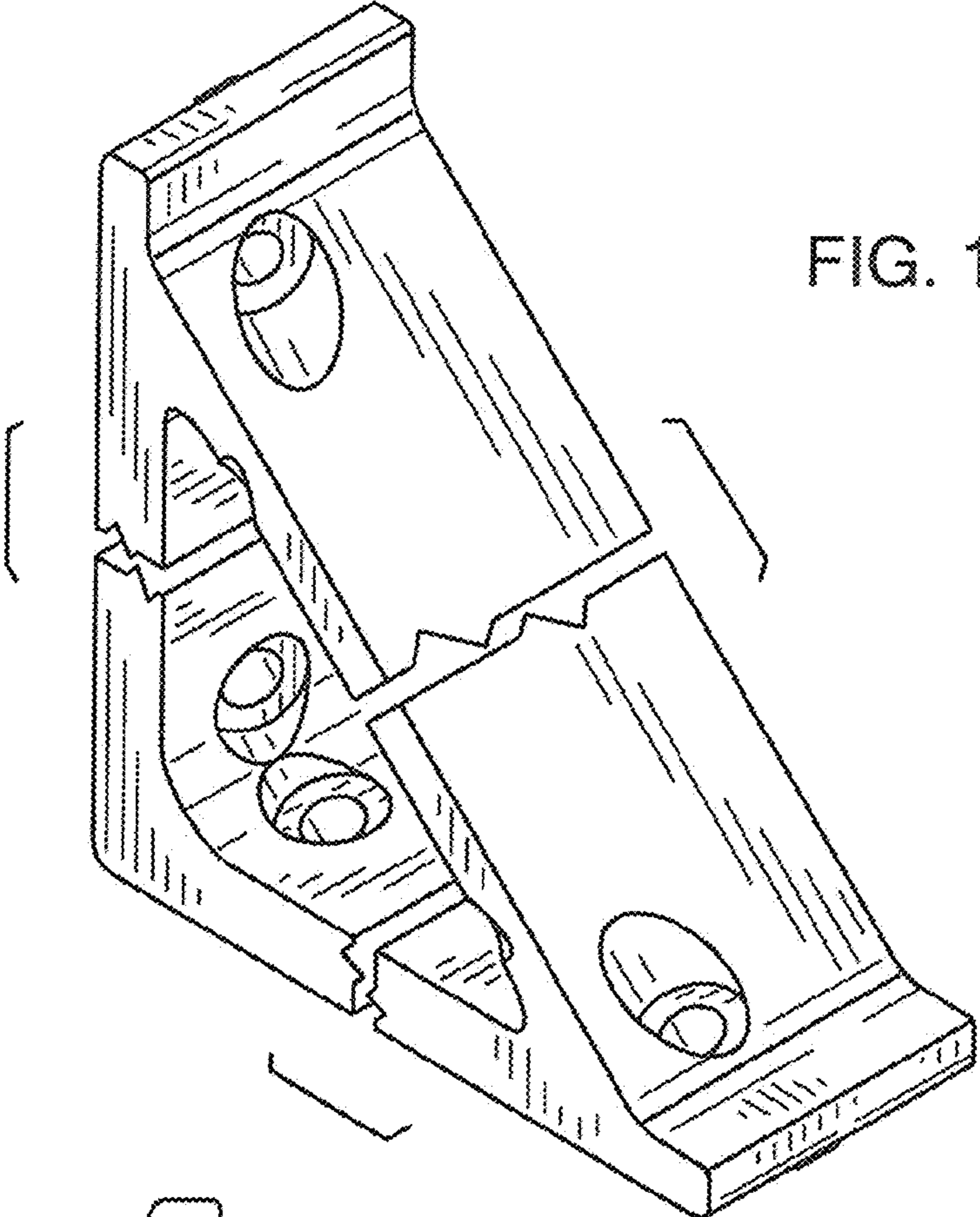


FIG. 1

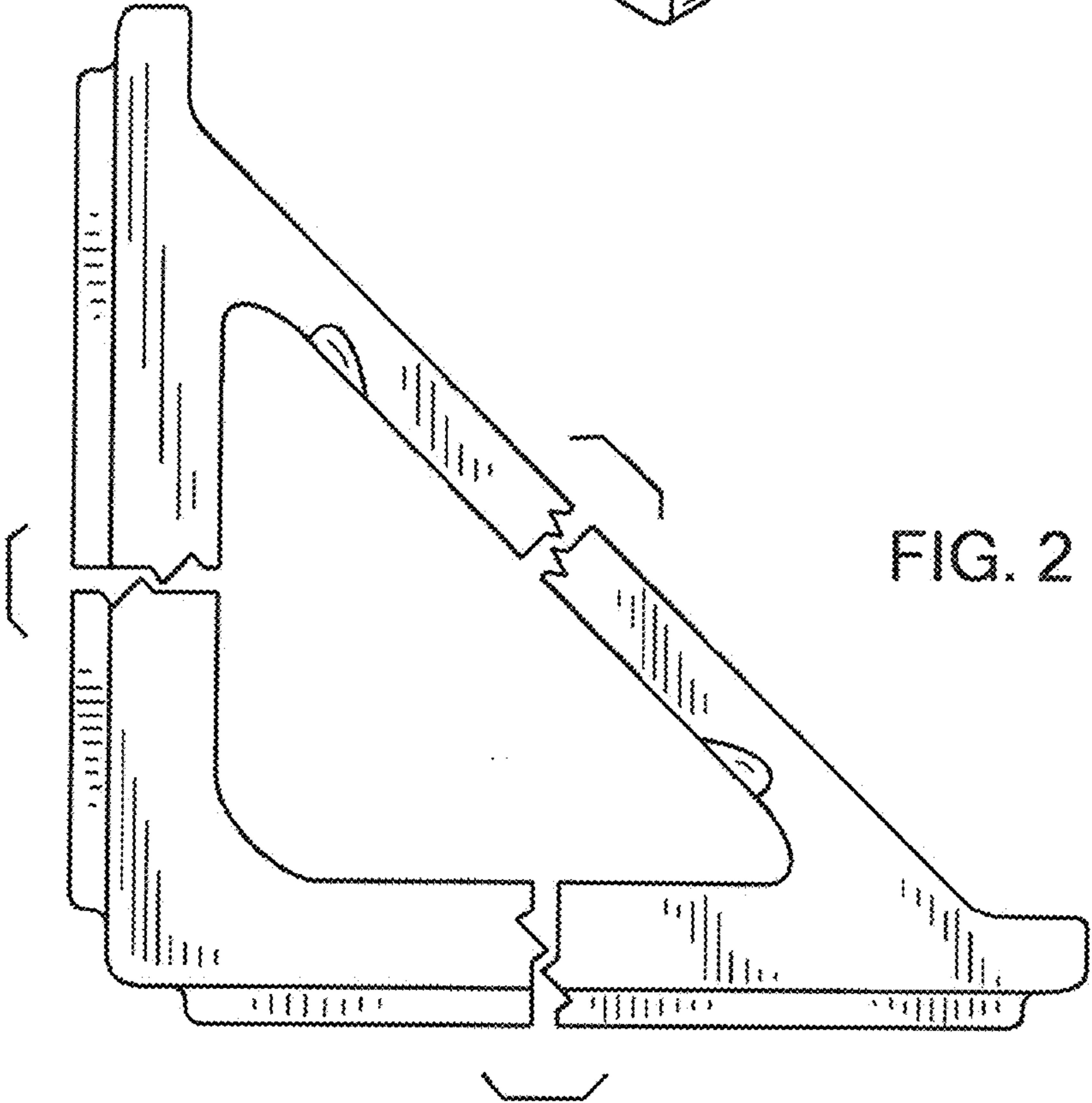
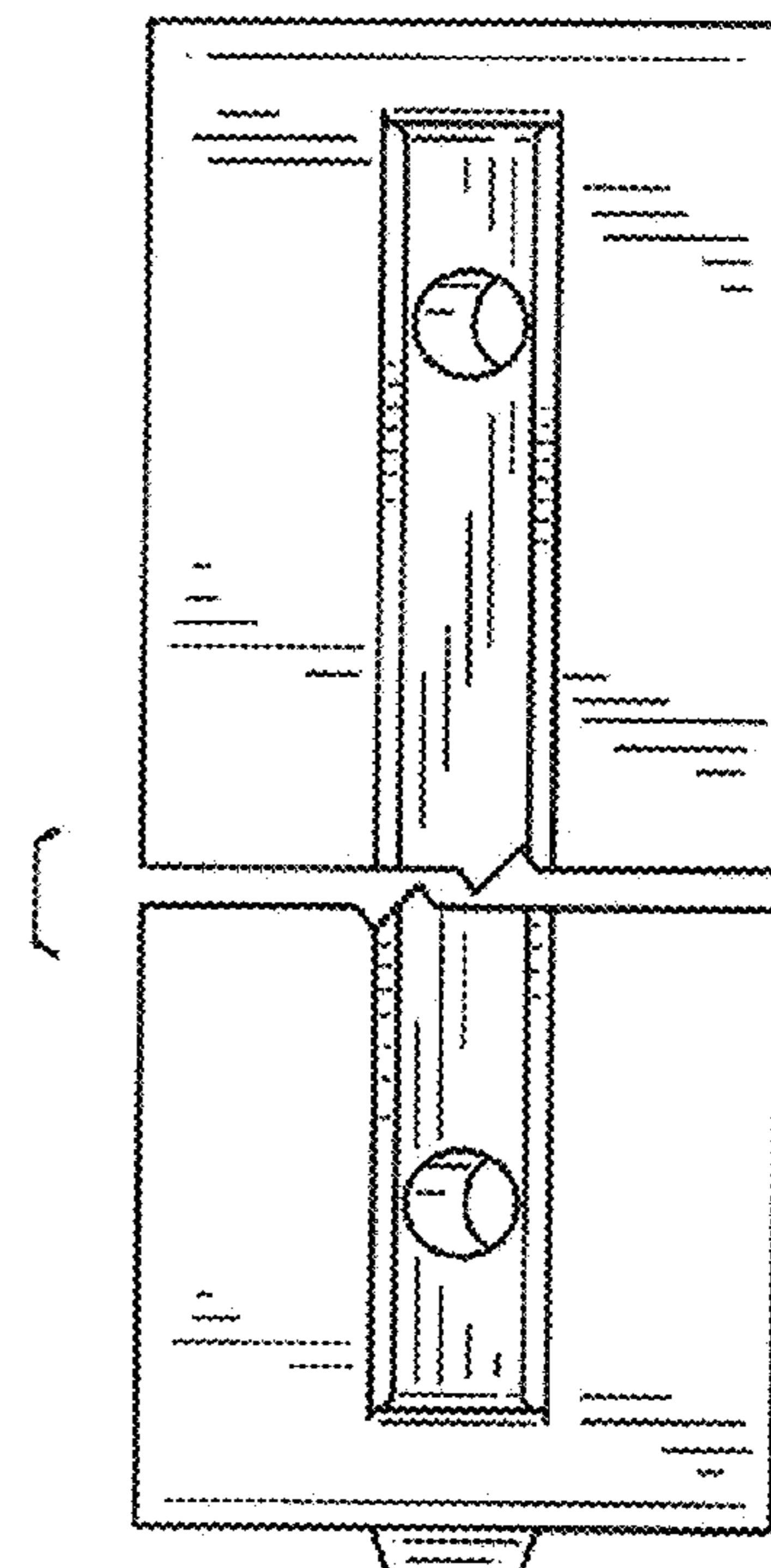
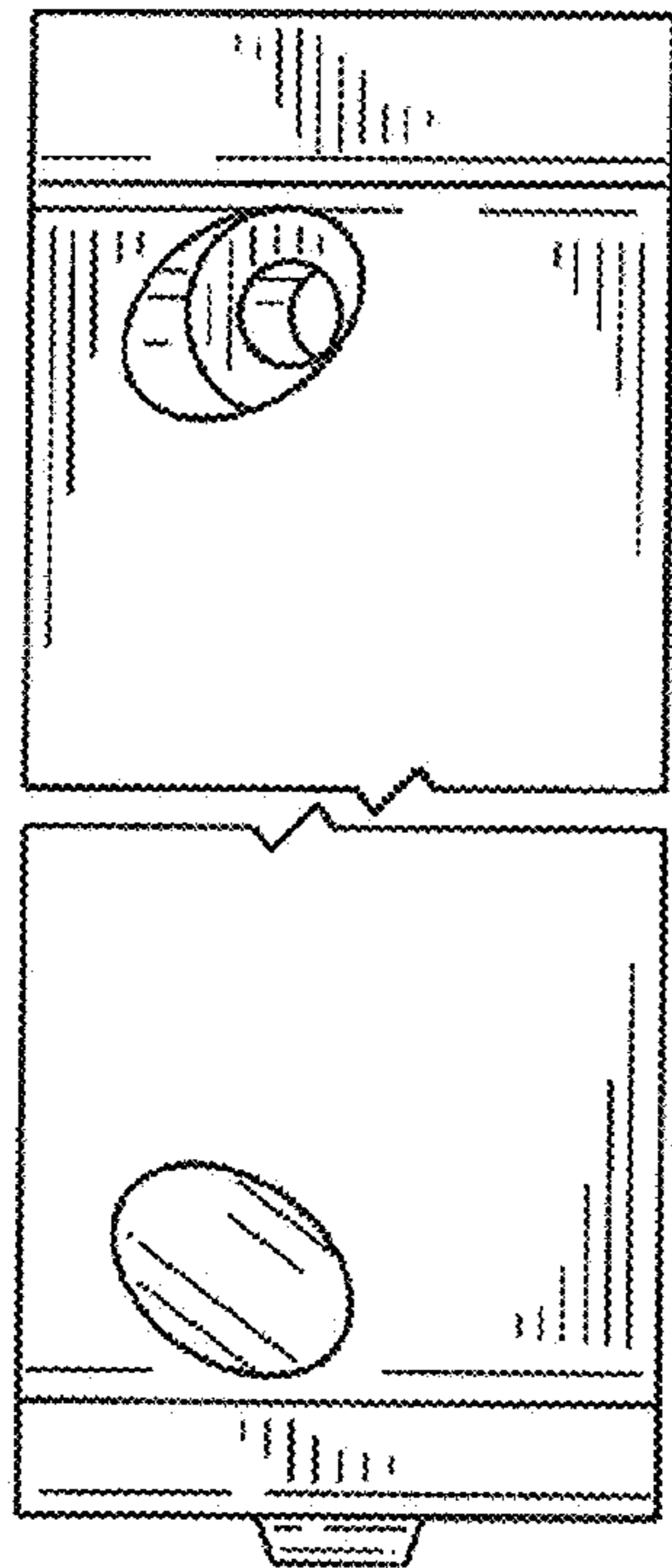
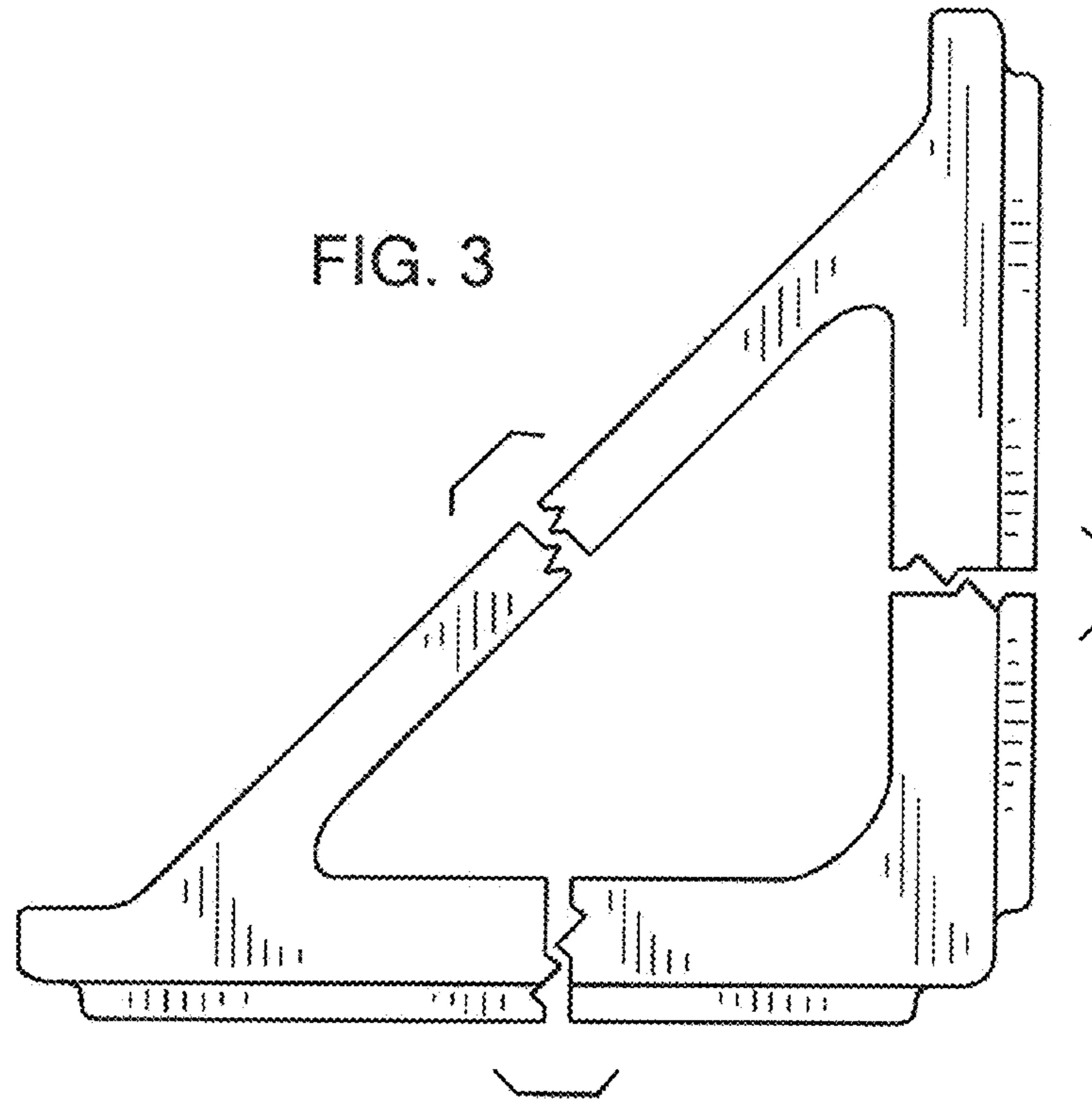


FIG. 2



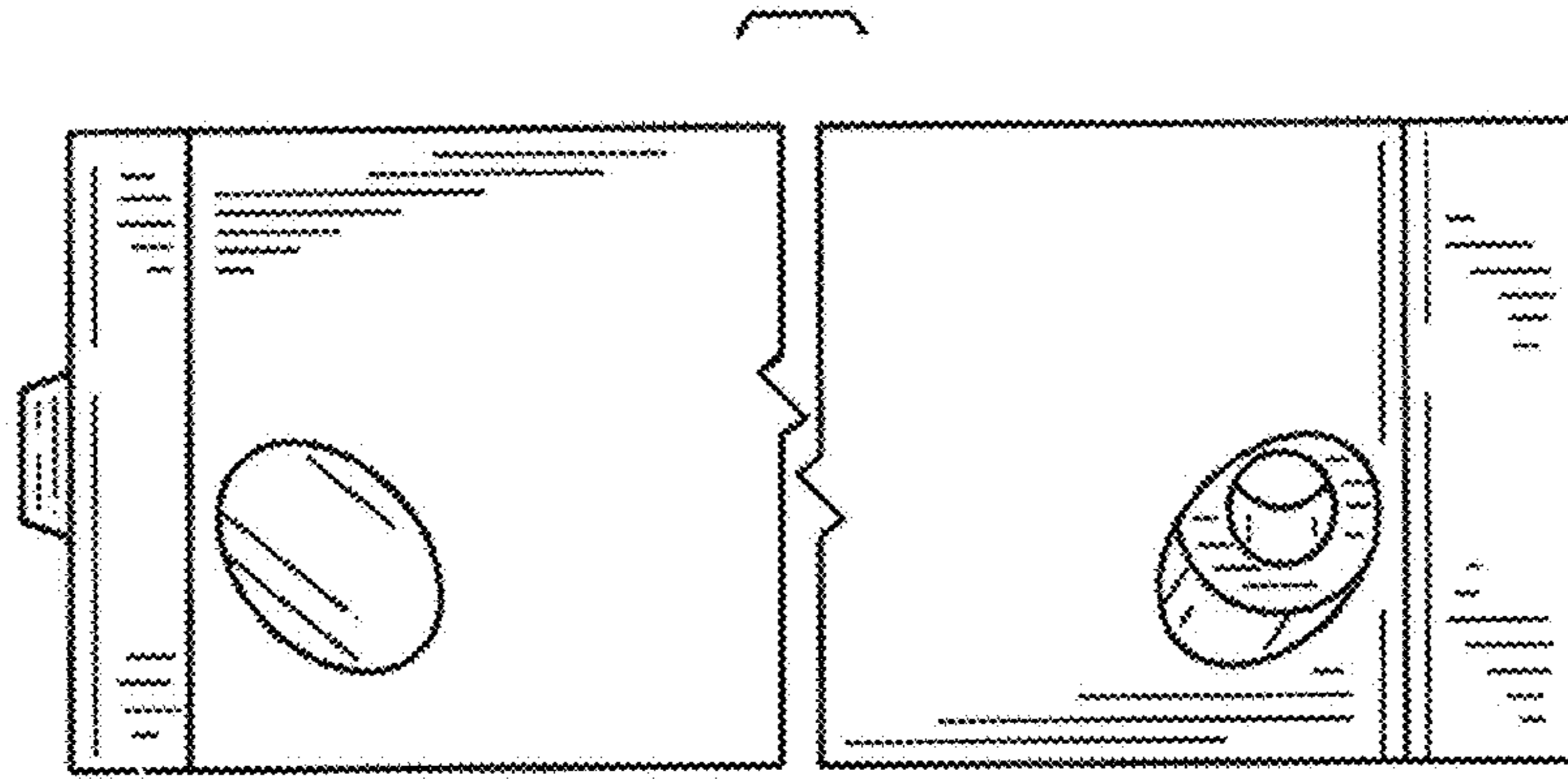


FIG. 6

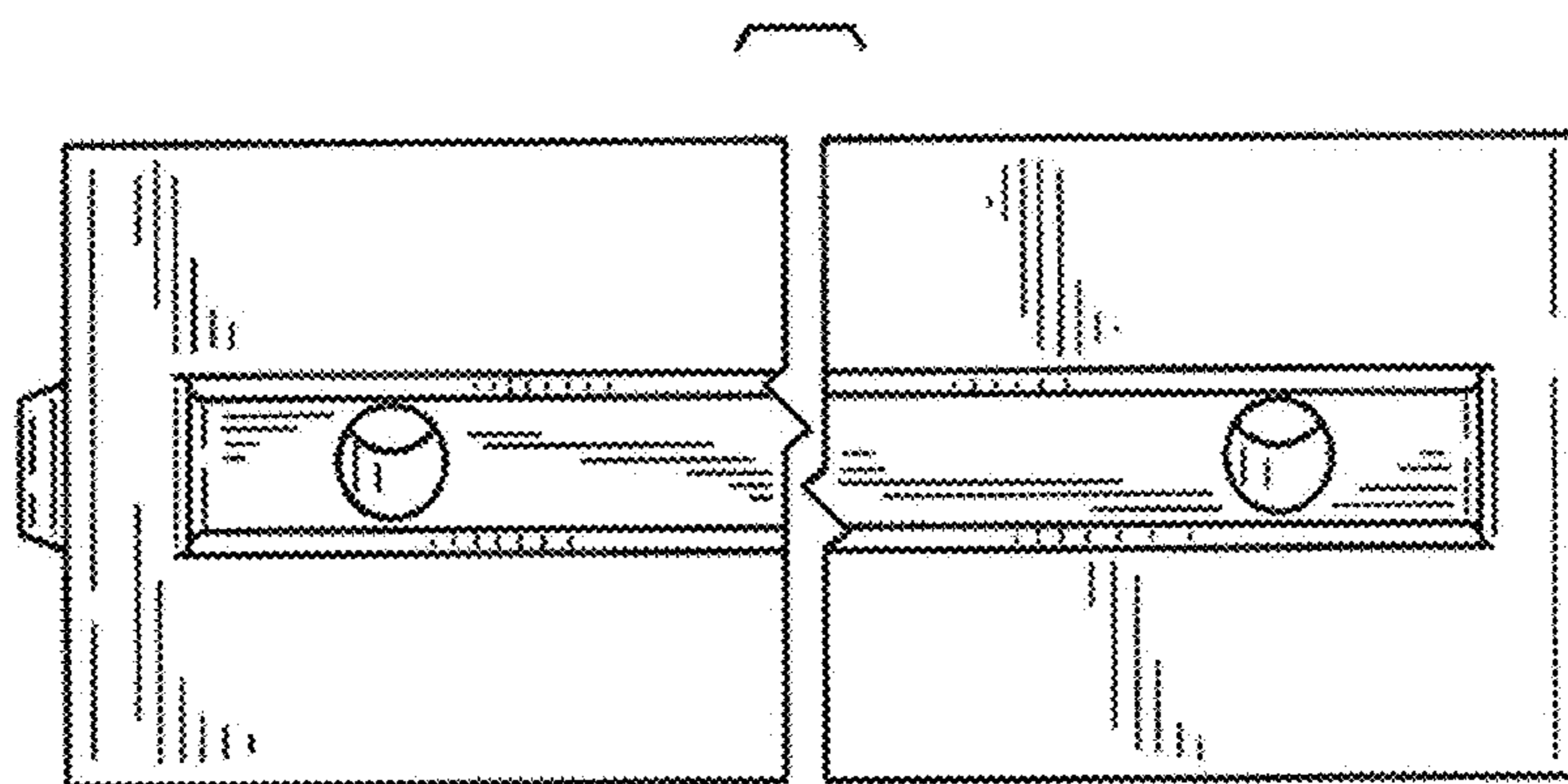


FIG. 7