



US00D750142S

(12) **United States Design Patent**  
**Suzuki et al.**

(10) **Patent No.:** **US D750,142 S**  
(45) **Date of Patent:** **\*\* Feb. 23, 2016**

(54) **SIDE PLATE FOR SHOTBLAST MACHINE**

FOREIGN PATENT DOCUMENTS

(71) Applicant: **Sintokogio, Ltd.**, Nagoya-shi, Aichi (JP)

JP 367670 8/1973  
JP 369408 9/1973

(72) Inventors: **Hiroaki Suzuki**, Toyokawa (JP); **Masato Umeoka**, Toyokawa (JP)

(Continued)

(73) Assignee: **Sintokogio, Ltd.** (JP)

*Primary Examiner* — Patricia Palasik

(\*\*) Term: **14 Years**

(74) *Attorney, Agent, or Firm* — Saidman DesignLaw Group

(21) Appl. No.: **29/488,916**

(22) Filed: **Apr. 24, 2014**

(57) **CLAIM**

The ornamental design for a side plate for shotblast machine, as shown and described.

(30) **Foreign Application Priority Data**

**DESCRIPTION**

Dec. 10, 2013 (JP) ..... 2013-028930

Dec. 10, 2013 (JP) ..... 2013-028931

(51) **LOC (10) Cl.** ..... **15-09**

(52) **U.S. Cl.**  
USPC ..... **D15/138**

(58) **Field of Classification Search**

USPC ..... D8/70; D15/122, 123, 124, 138, 140,  
D15/144, 144.1, 144.2

See application file for complete search history.

(56) **References Cited**

U.S. PATENT DOCUMENTS

2,144,723 A \* 1/1939 Howsam ..... B65H 75/14  
242/118.8

2,805,290 A \* 9/1957 Wentsel ..... A47L 9/26  
191/12.4

2,887,826 A \* 5/1959 Schultz ..... B22D 29/006  
451/80

4,326,362 A \* 4/1982 Williams ..... B24C 3/00  
451/80

D269,013 S 5/1983 Tutton

4,395,851 A \* 8/1983 Watts ..... B24C 5/06  
451/97

D276,615 S 12/1984 Tutton

4,784,339 A \* 11/1988 Deffenbaugh ..... B02C 13/1814  
241/275

FIG. 1 is a front view of side plate for shotblast machine showing our new design;

FIG. 2 is a rear view thereof;

FIG. 3 is a left side view thereof;

FIG. 4 is a right side view thereof;

FIG. 5 is a top plan view thereof;

FIG. 6 is a bottom plan view thereof;

FIG. 7 is a cross-sectional view taken along the line 7-7 of FIG. 5;

FIG. 8 is a reference front view thereof;

FIG. 9 is a cross-sectional view taken along the lines 9-9 of FIG. 8;

FIG. 10 is a front right top perspective view thereof;

FIG. 11 is a front left top perspective view thereof;

FIG. 12 is a front view of a second embodiment thereof;

FIG. 13 is a rear view thereof;

FIG. 14 is a left side view thereof;

FIG. 15 is a right side view thereof;

FIG. 16 is a top plan view thereof;

FIG. 17 is a bottom plan view thereof;

FIG. 18 is a cross-sectional view taken along the lines 18-18 of FIG. 16;

FIG. 19 is a reference front view thereof;

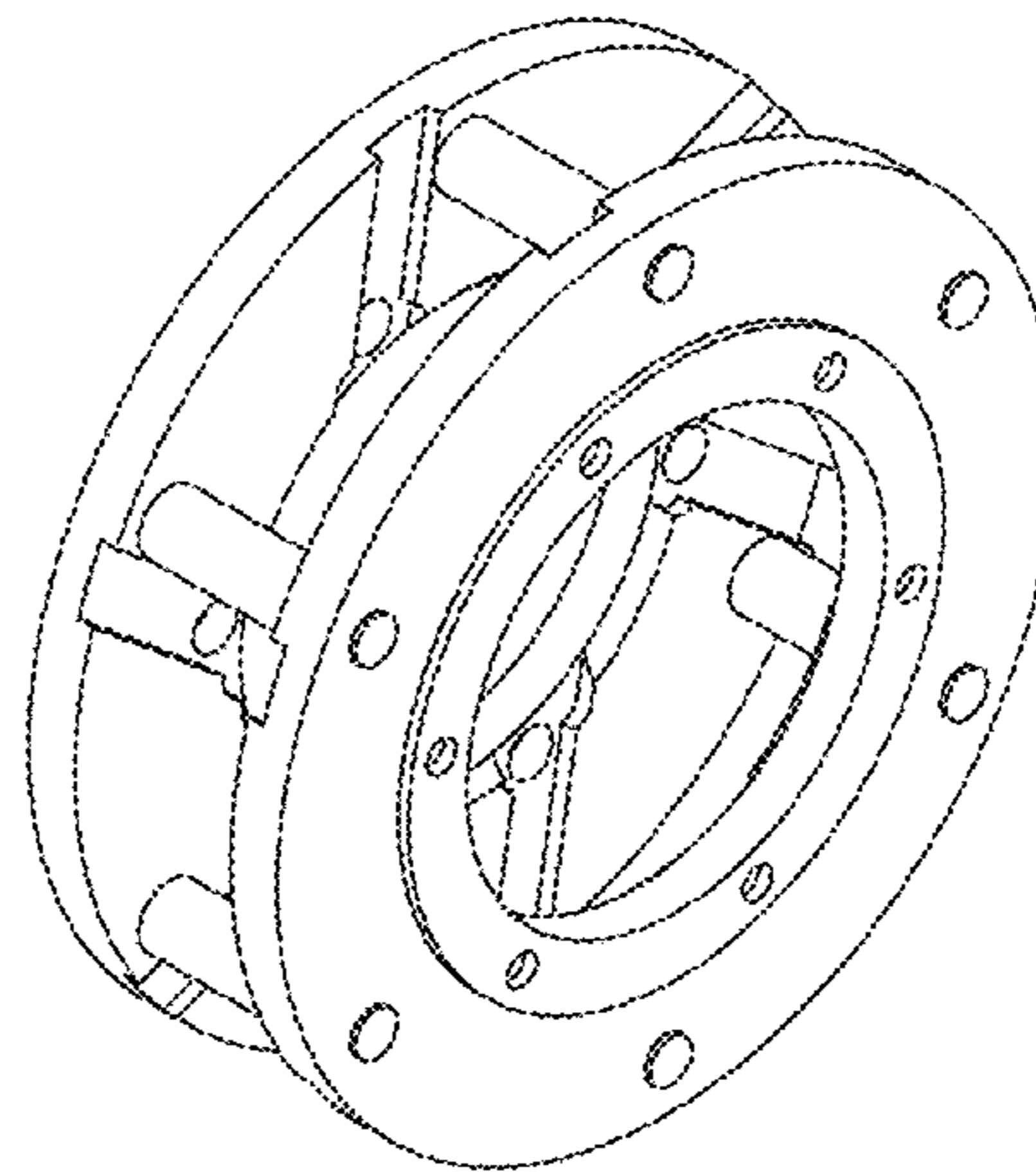
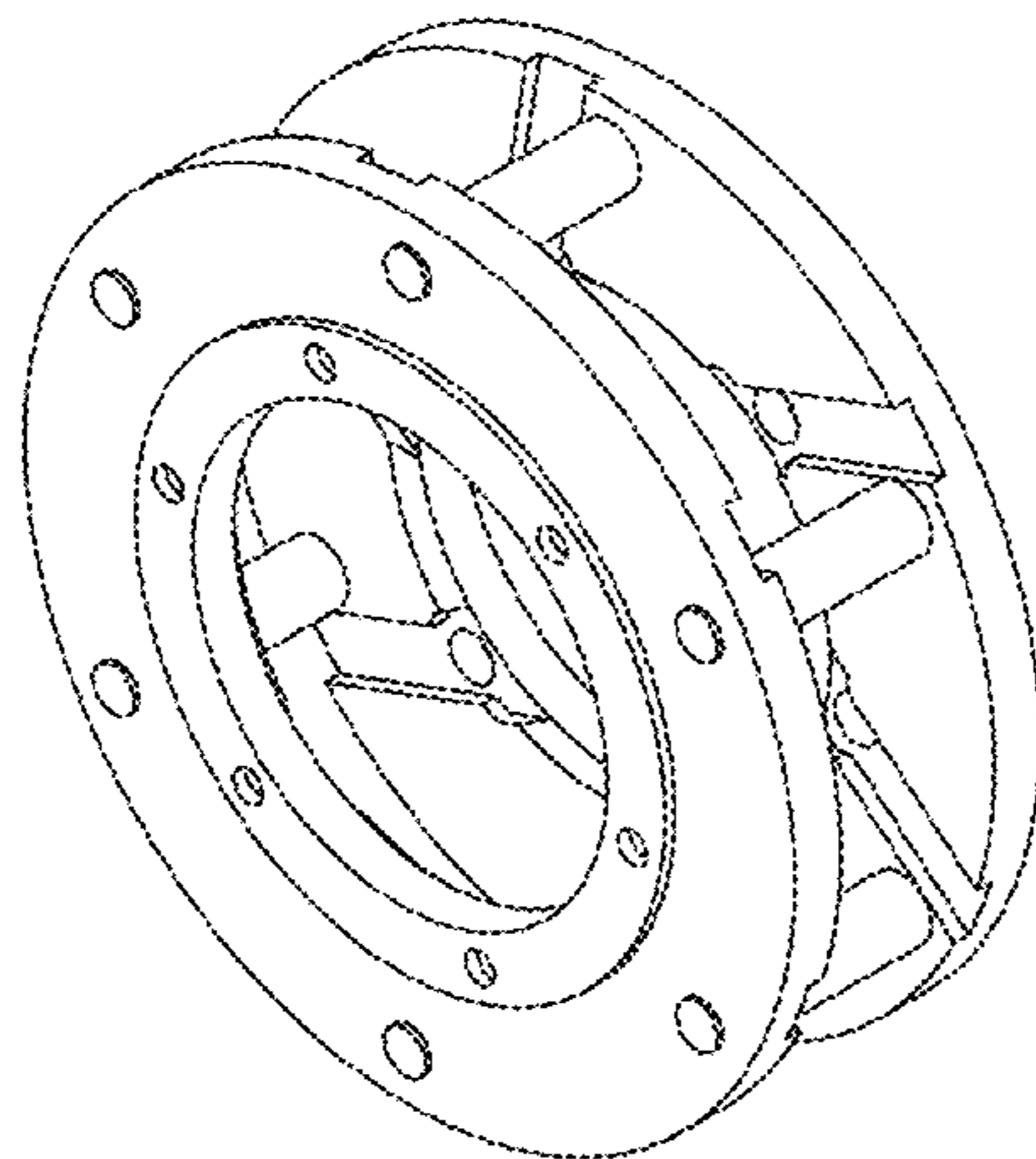
FIG. 20 is a cross-sectional view taken along the lines 20-20 of FIG. 19;

FIG. 21 is a front right top perspective view thereof; and,

FIG. 22 is a front left top perspective view thereof.

(Continued)

**1 Claim, 10 Drawing Sheets**



(56)

**References Cited**

2007/0001040 A1\* 1/2007 Walters ..... B02C 18/362  
241/82.5

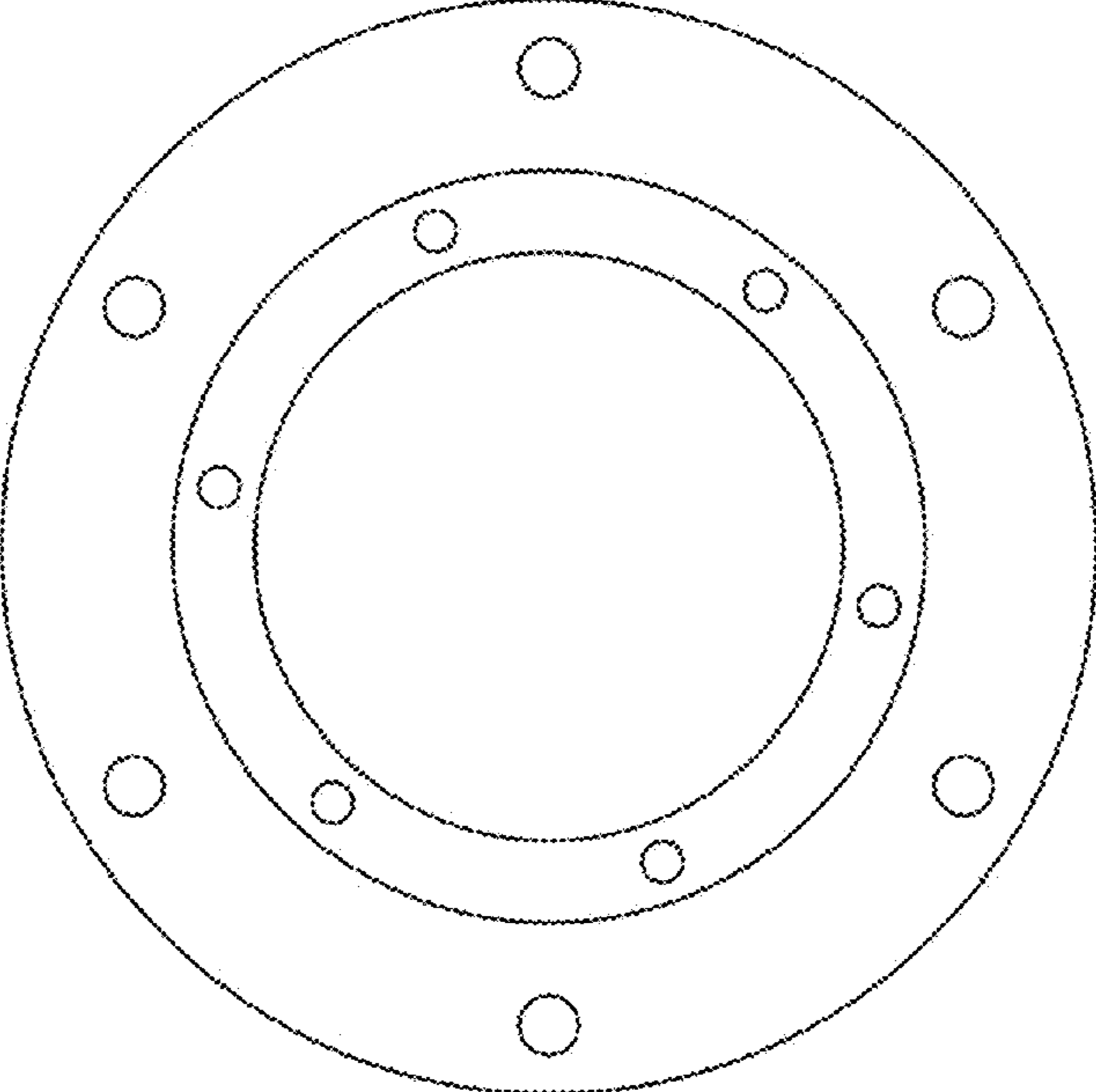
U.S. PATENT DOCUMENTS

5,029,595 A \* 7/1991 Hautau ..... B05B 13/00  
134/142  
D491,048 S \* 6/2004 Cornier ..... D8/358  
D534,557 S \* 1/2007 Storer ..... D15/124  
7,766,725 B2 \* 8/2010 Umemura ..... B24C 3/04  
451/85  
8,025,247 B2 \* 9/2011 Dallimore ..... B02C 13/1835  
241/275  
D669,922 S \* 10/2012 Eliason ..... D15/124  
8,450,898 B2 \* 5/2013 Sears ..... H02K 3/522  
310/194

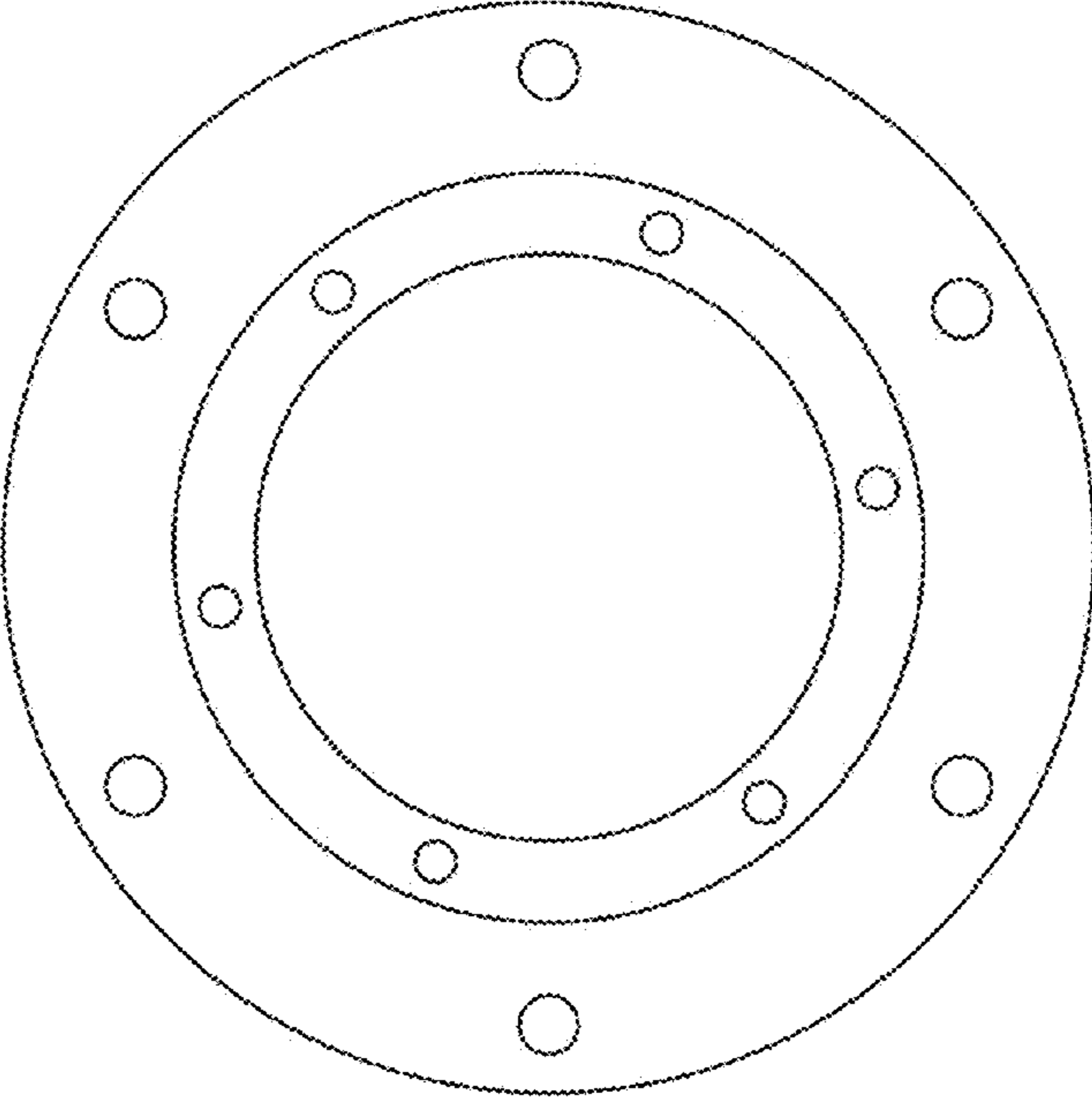
FOREIGN PATENT DOCUMENTS

JP	409729	11/1975
JP	465465	1/1978
JP	489626	12/1978
JP	627737	6/1984
JP	627738	6/1984
JP	866025	4/1993
JP	627737-1	11/1995
JP	627738-1	10/1997

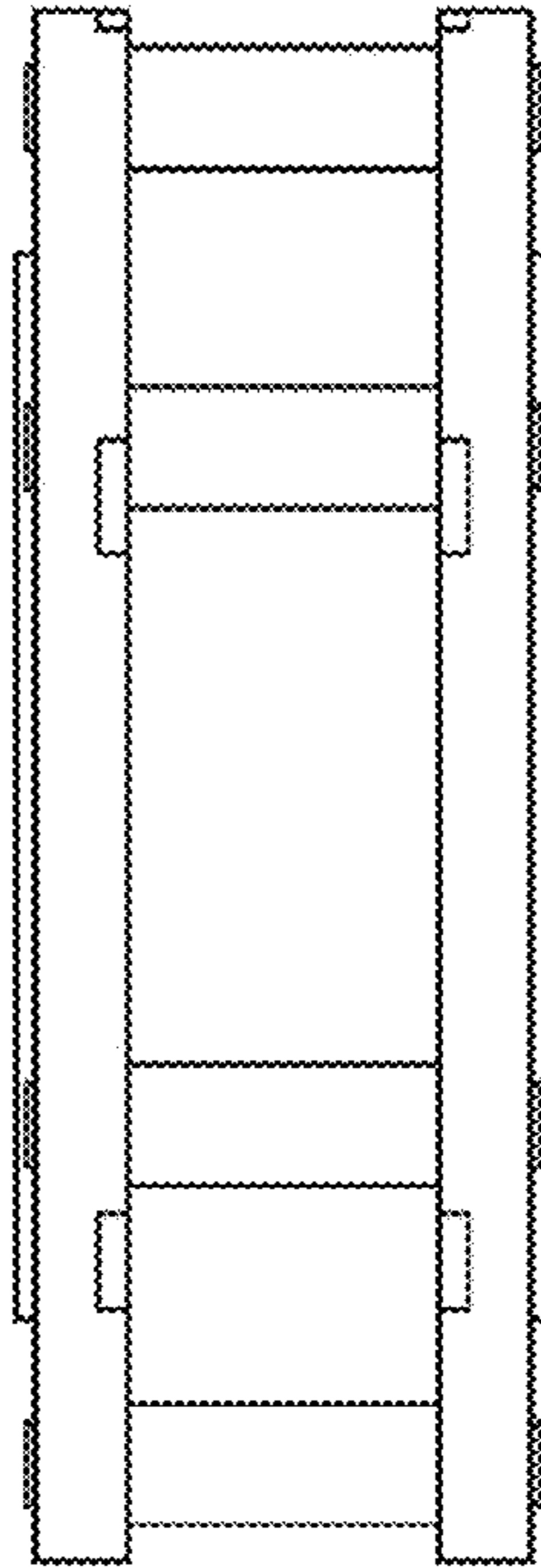
\* cited by examiner



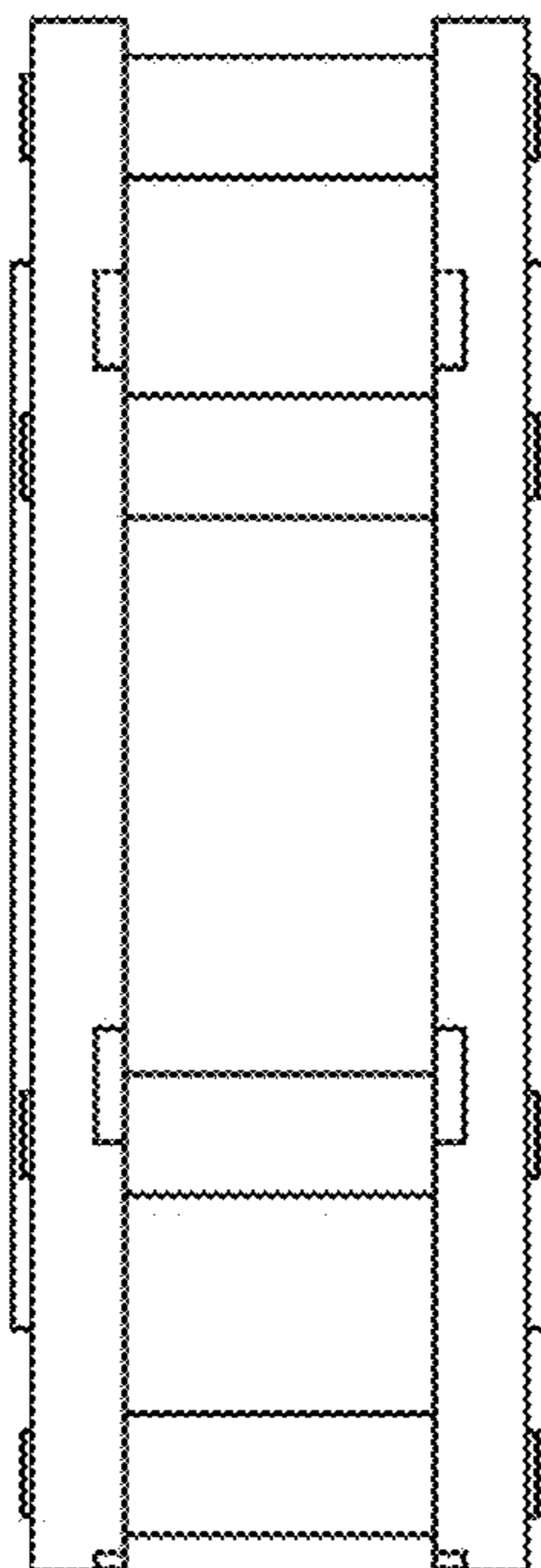
**Fig. 1**



**Fig. 2**



*Fig. 3*



*Fig. 4*

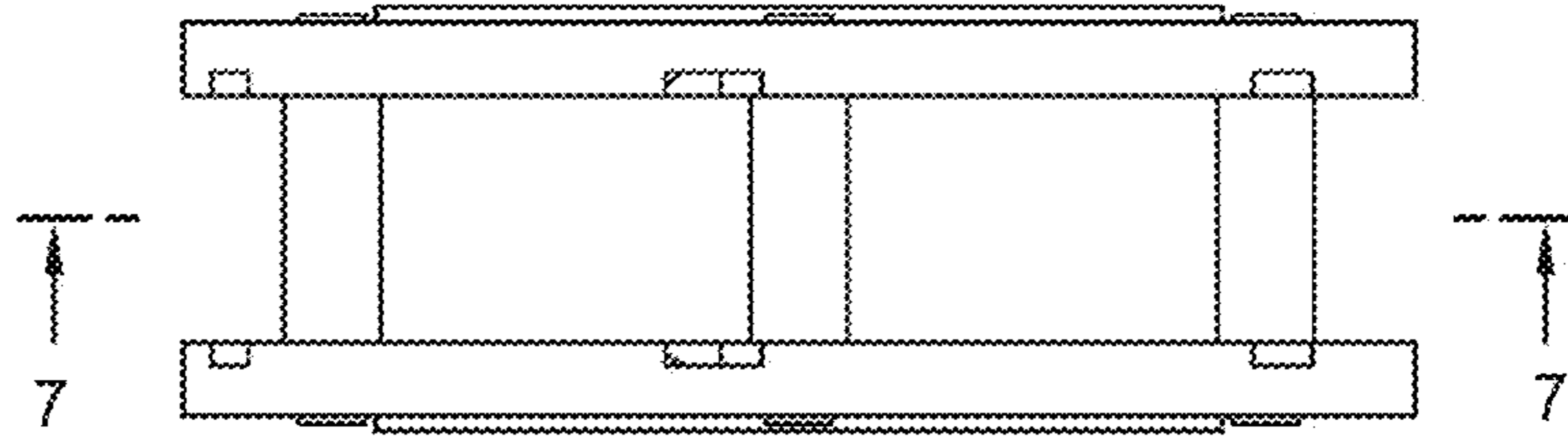


Fig. 5

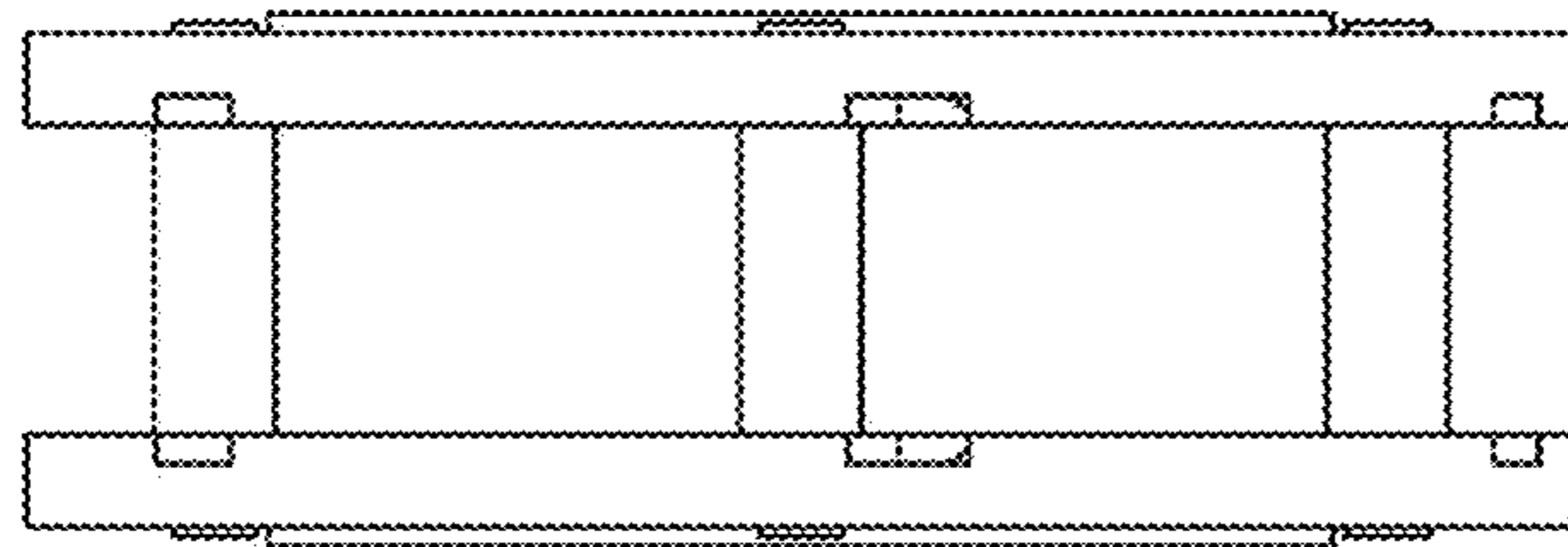


Fig. 6

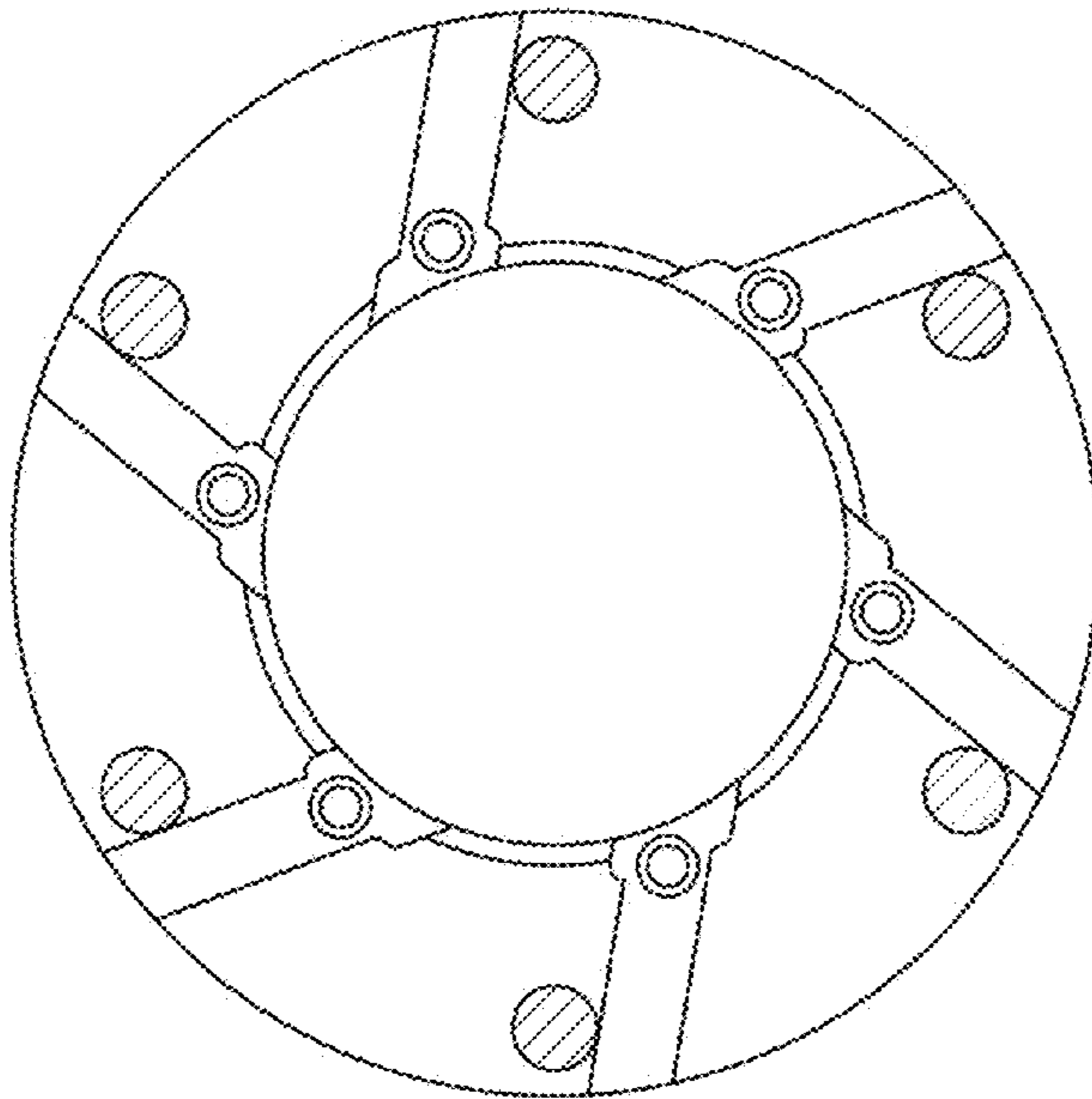


Fig. 7

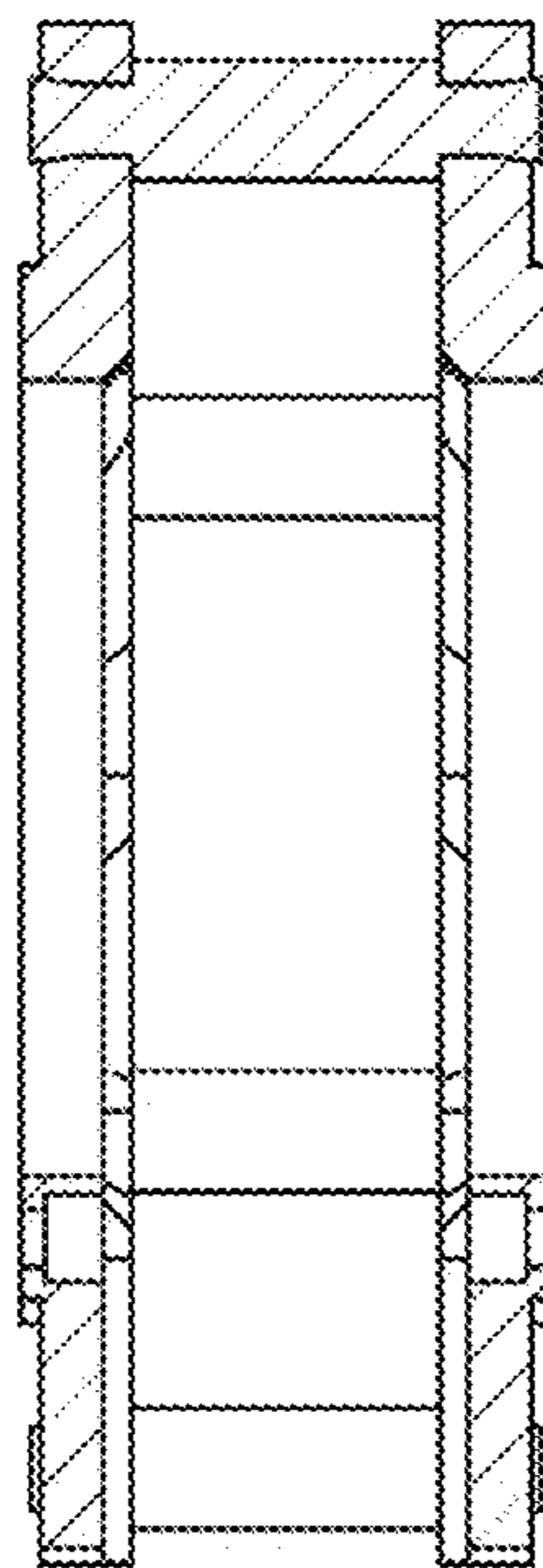
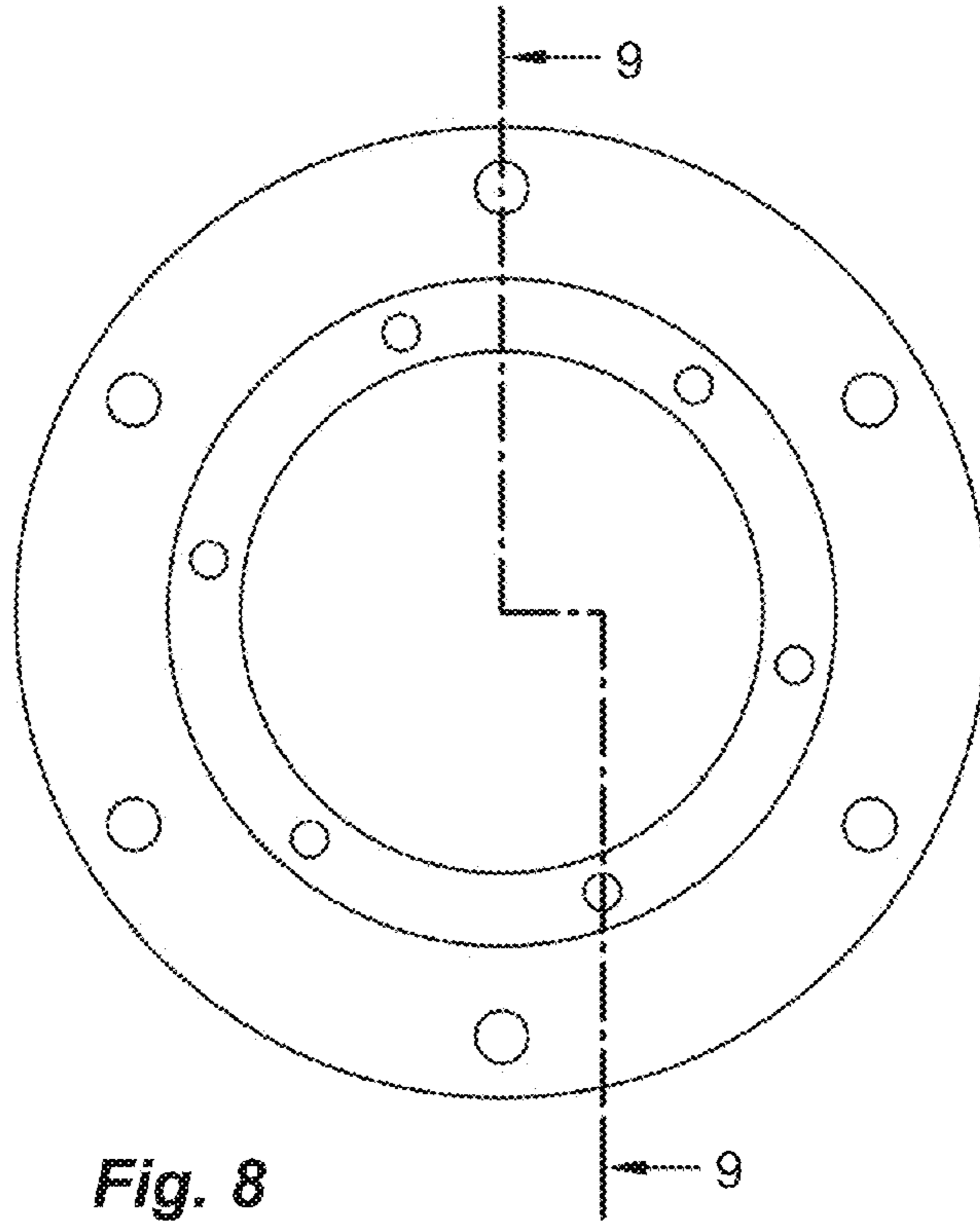
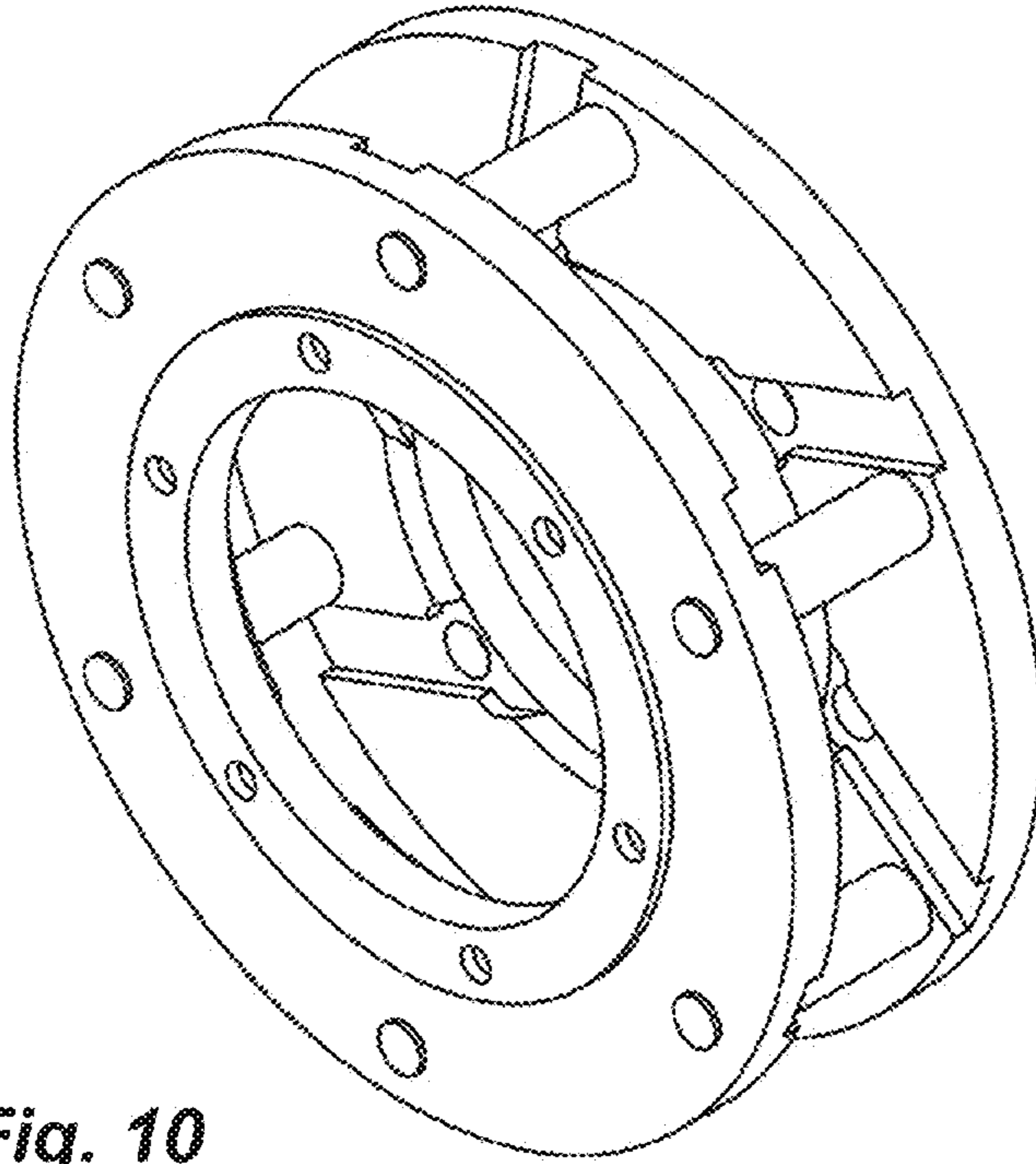
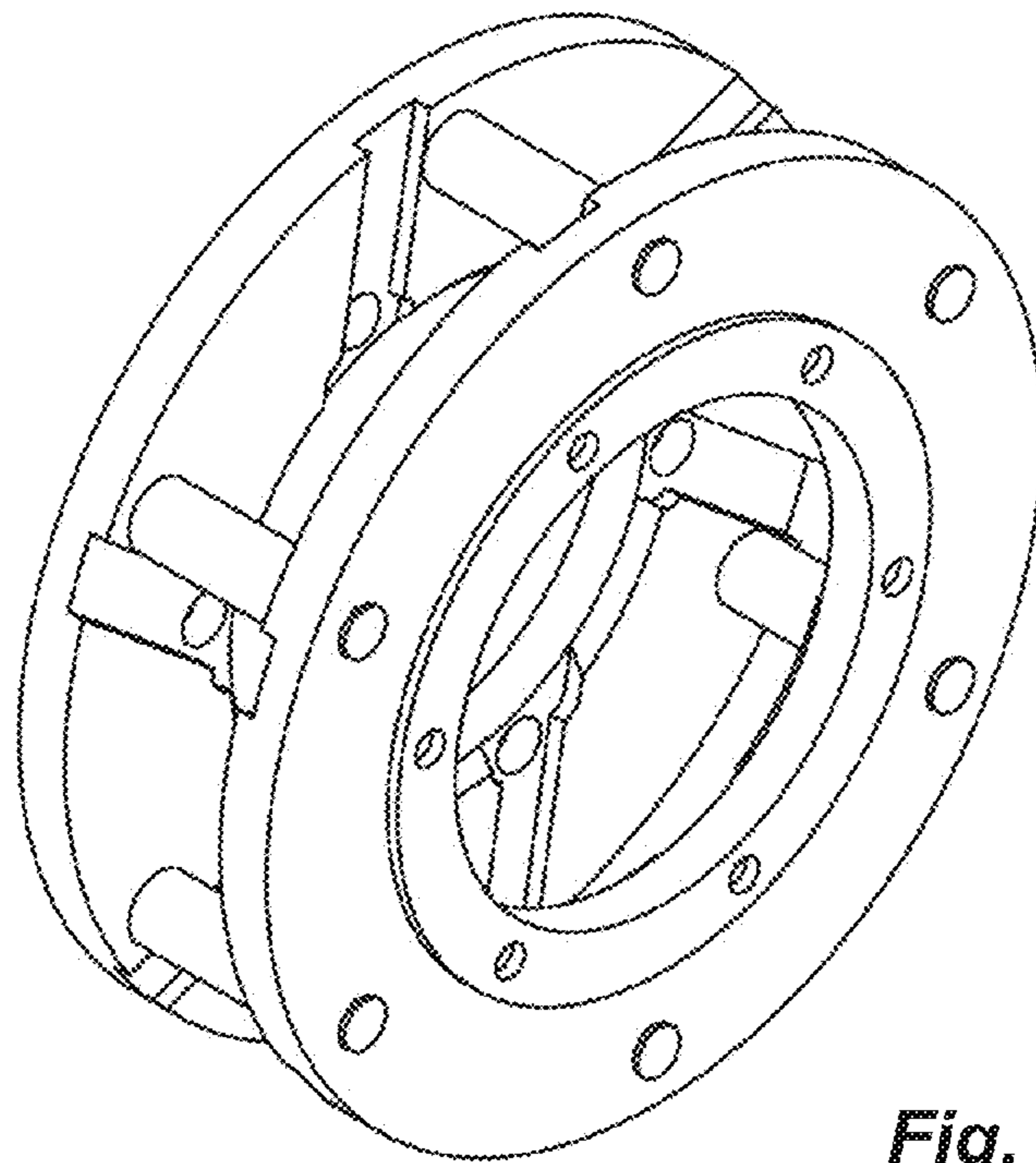


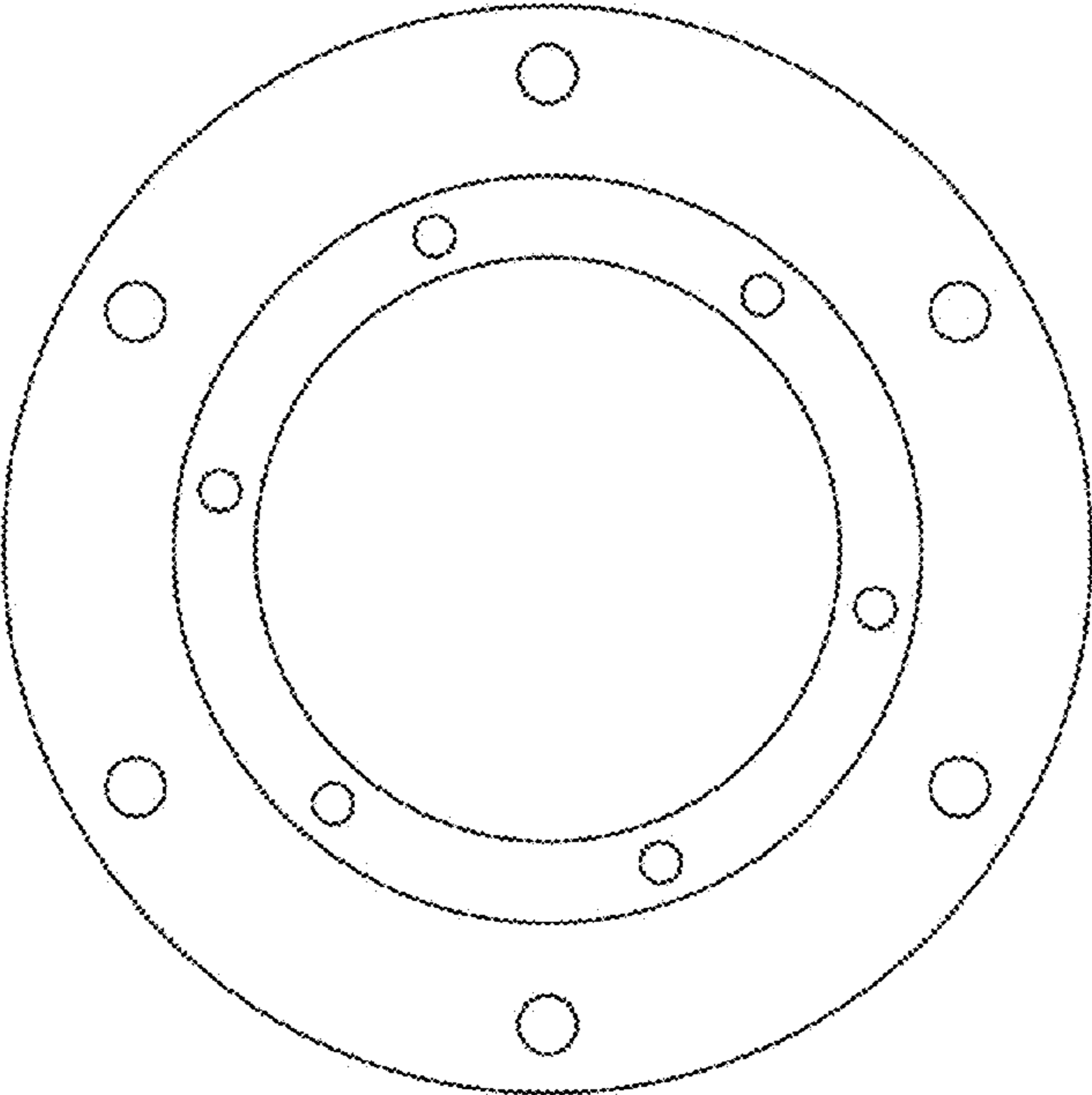
Fig. 9



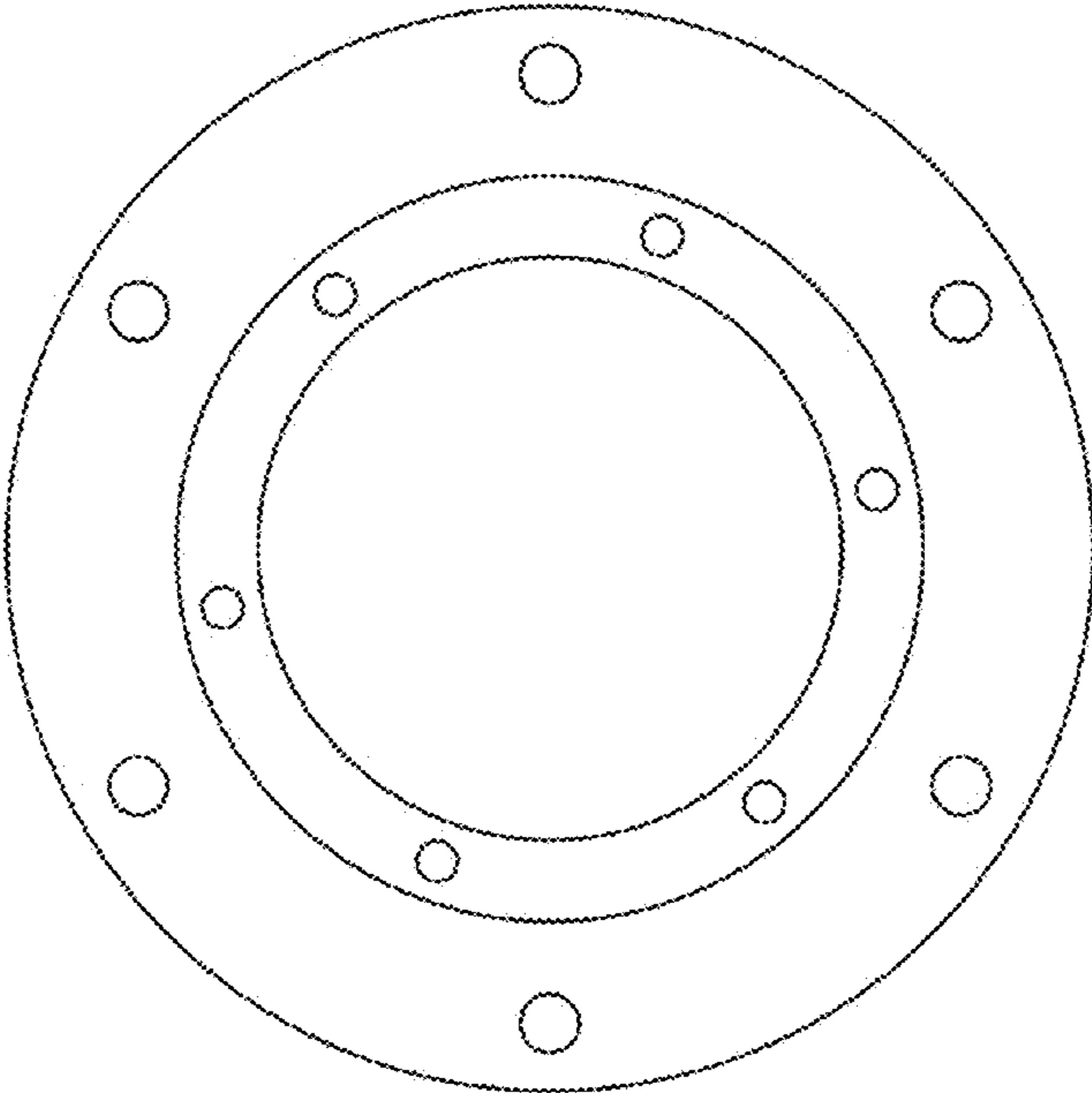
**Fig. 10**



**Fig. 11**

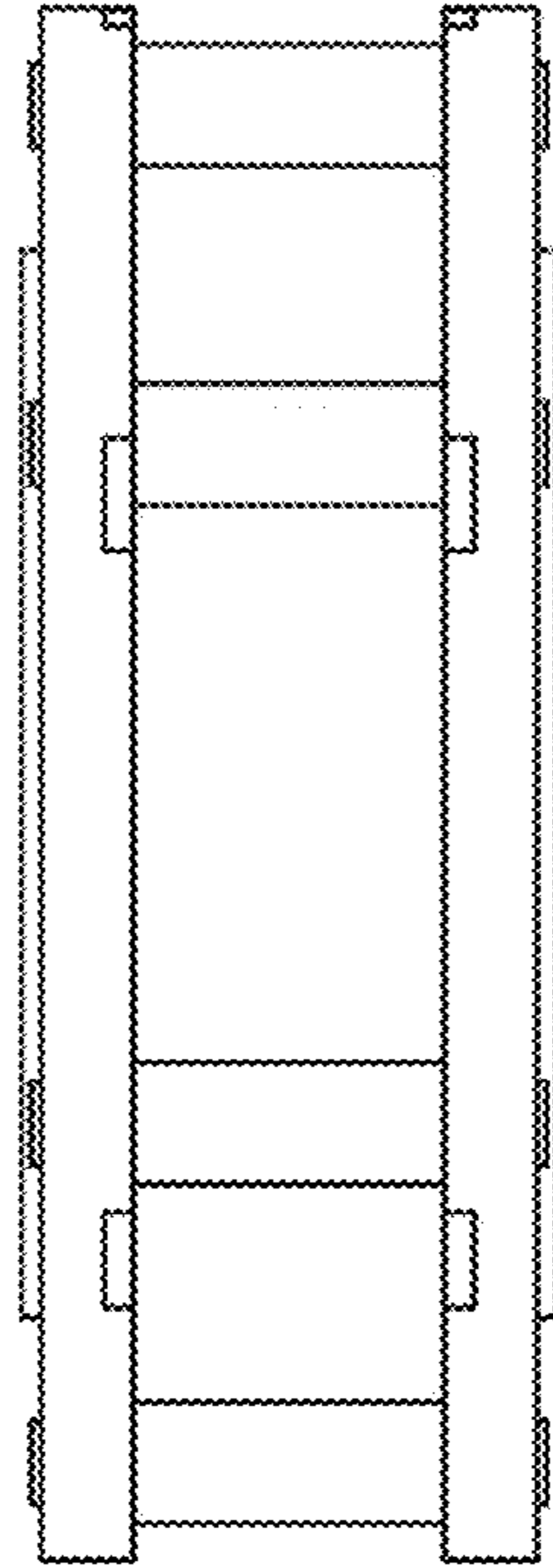


*Fig. 12*

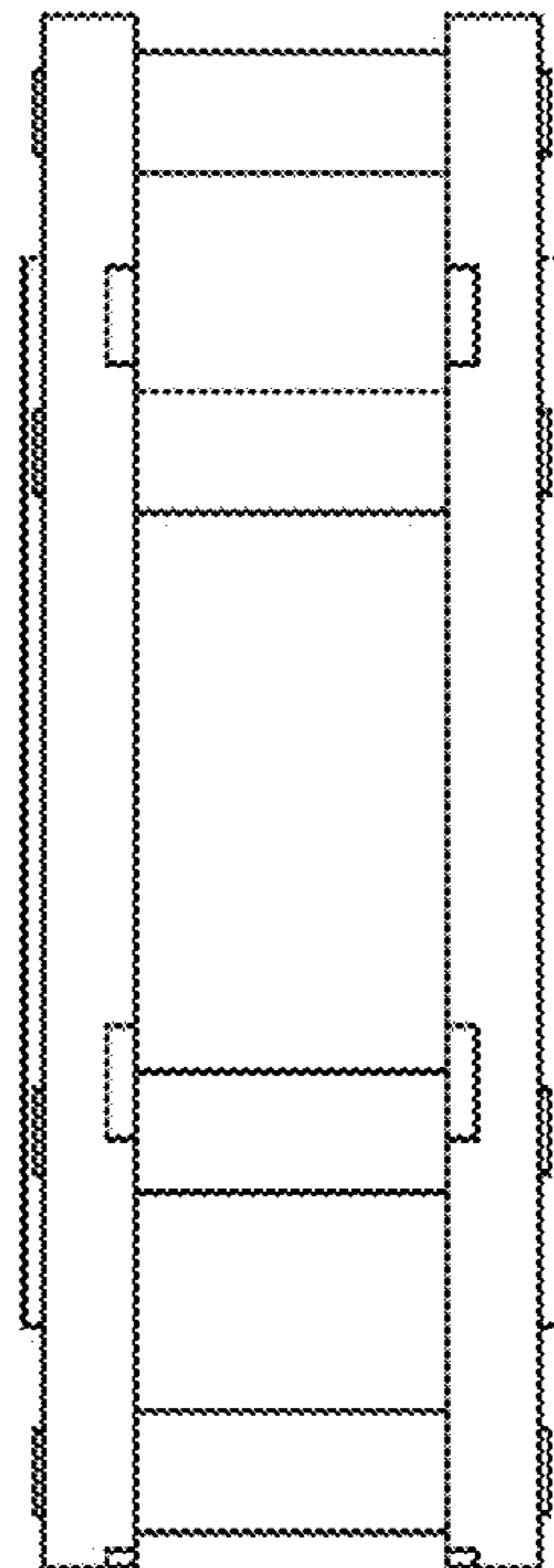


*Fig. 13*

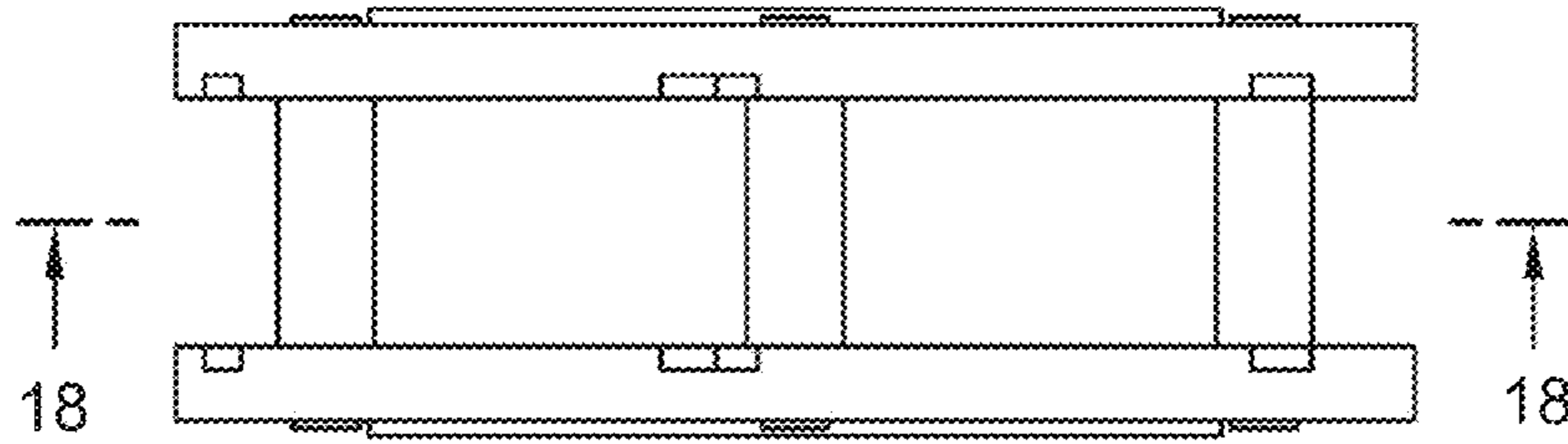




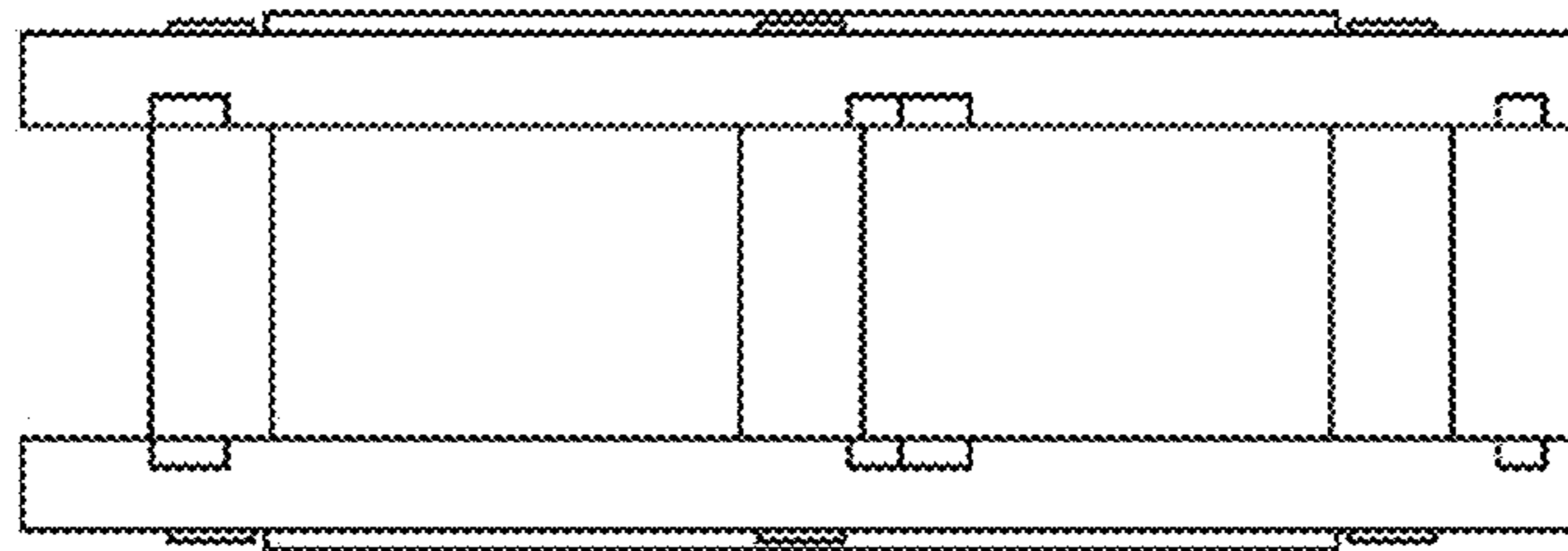
*Fig. 14*



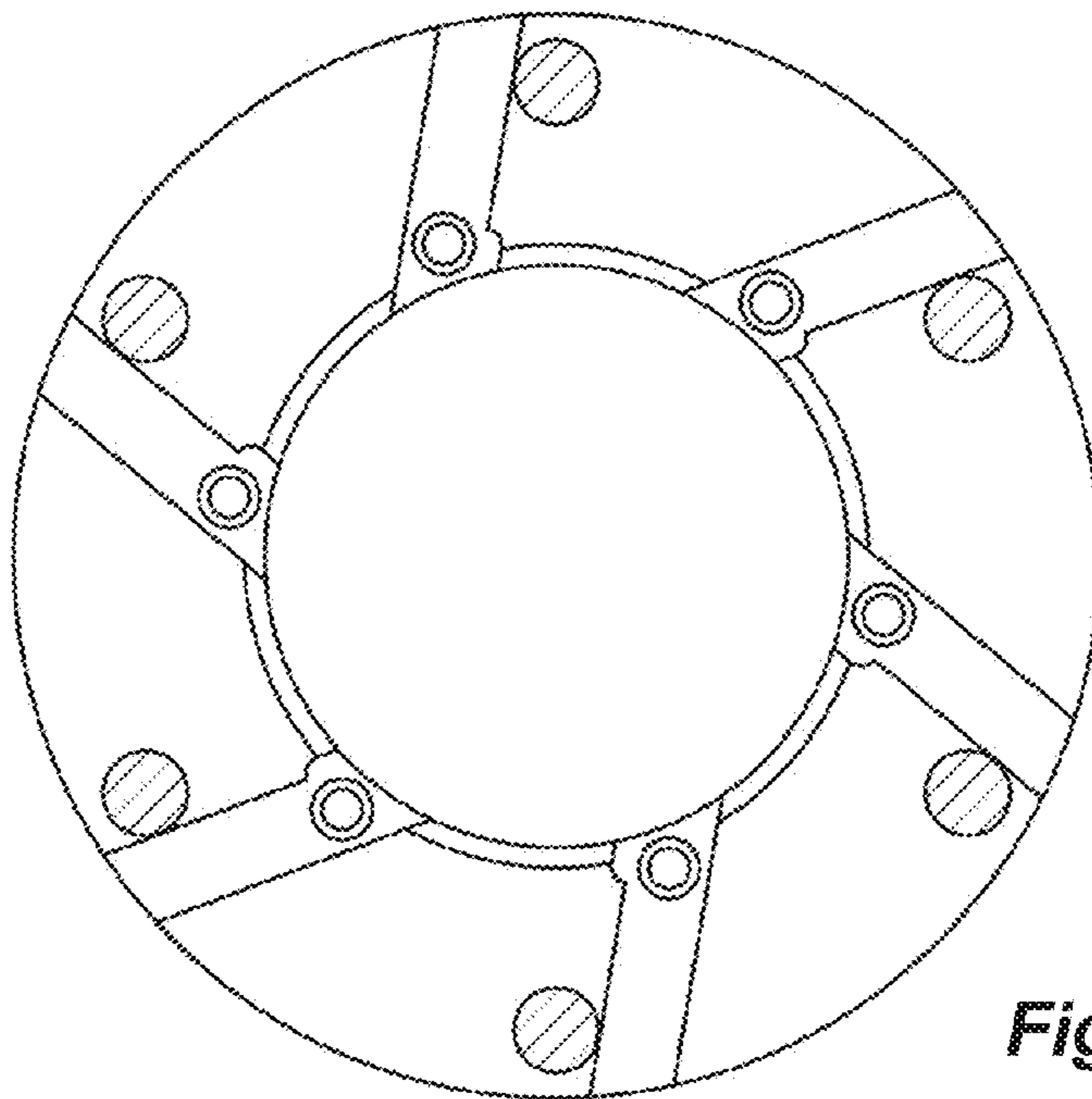
*Fig. 15*



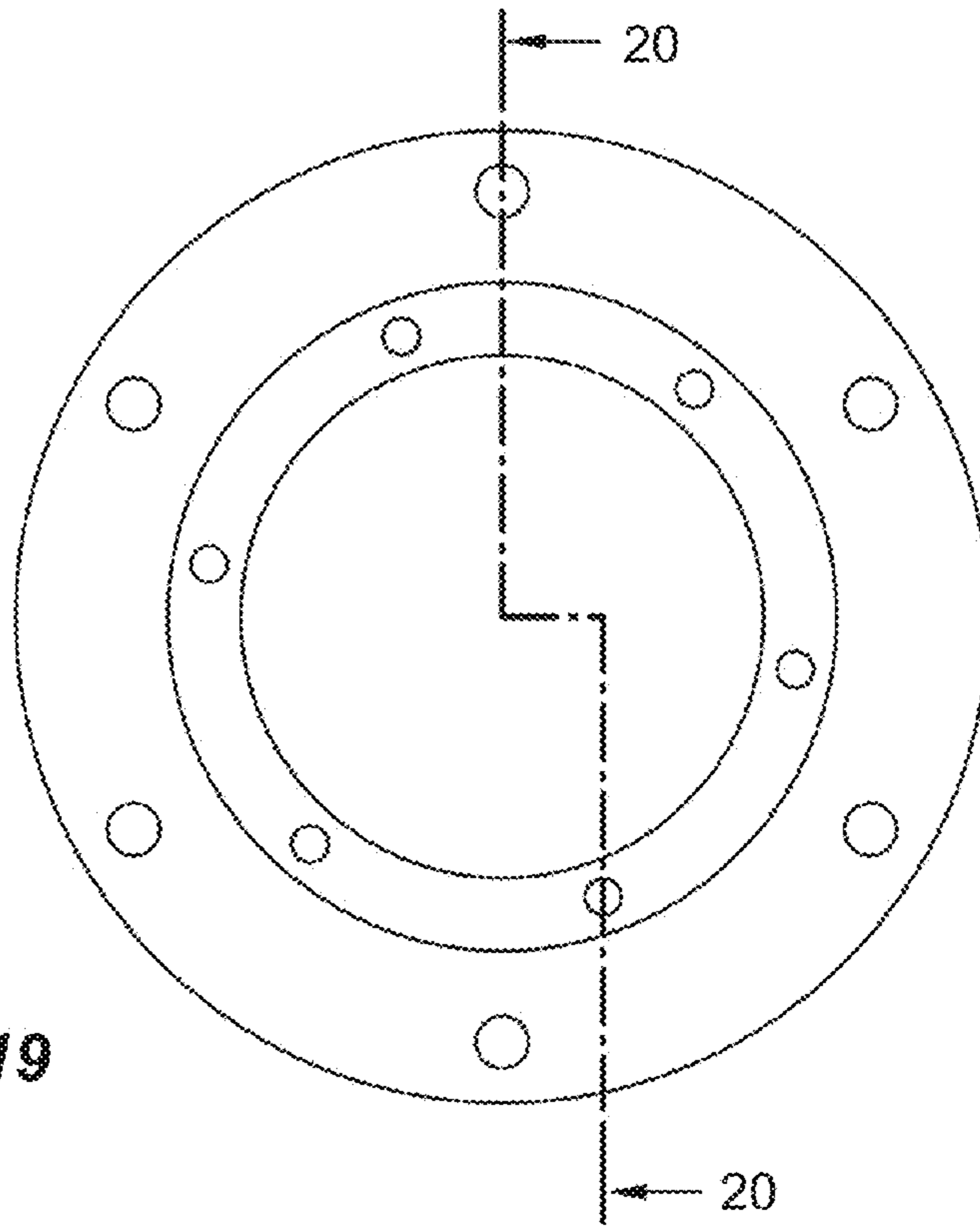
**Fig. 16**



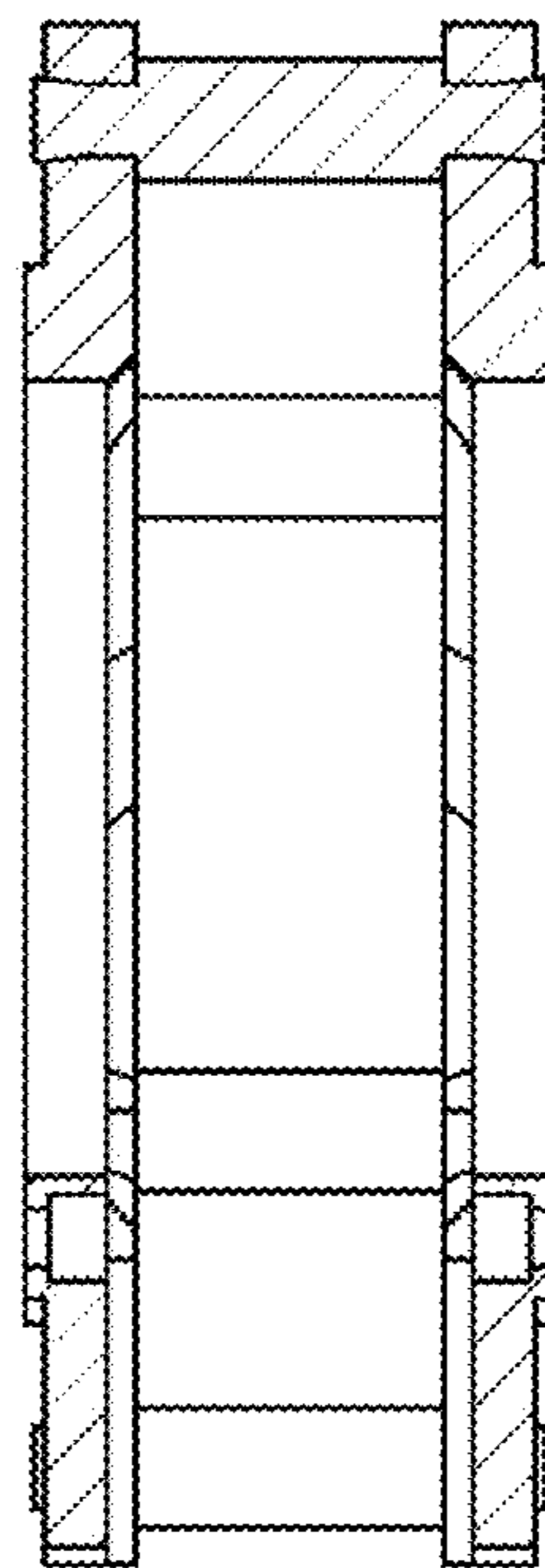
**Fig. 17**



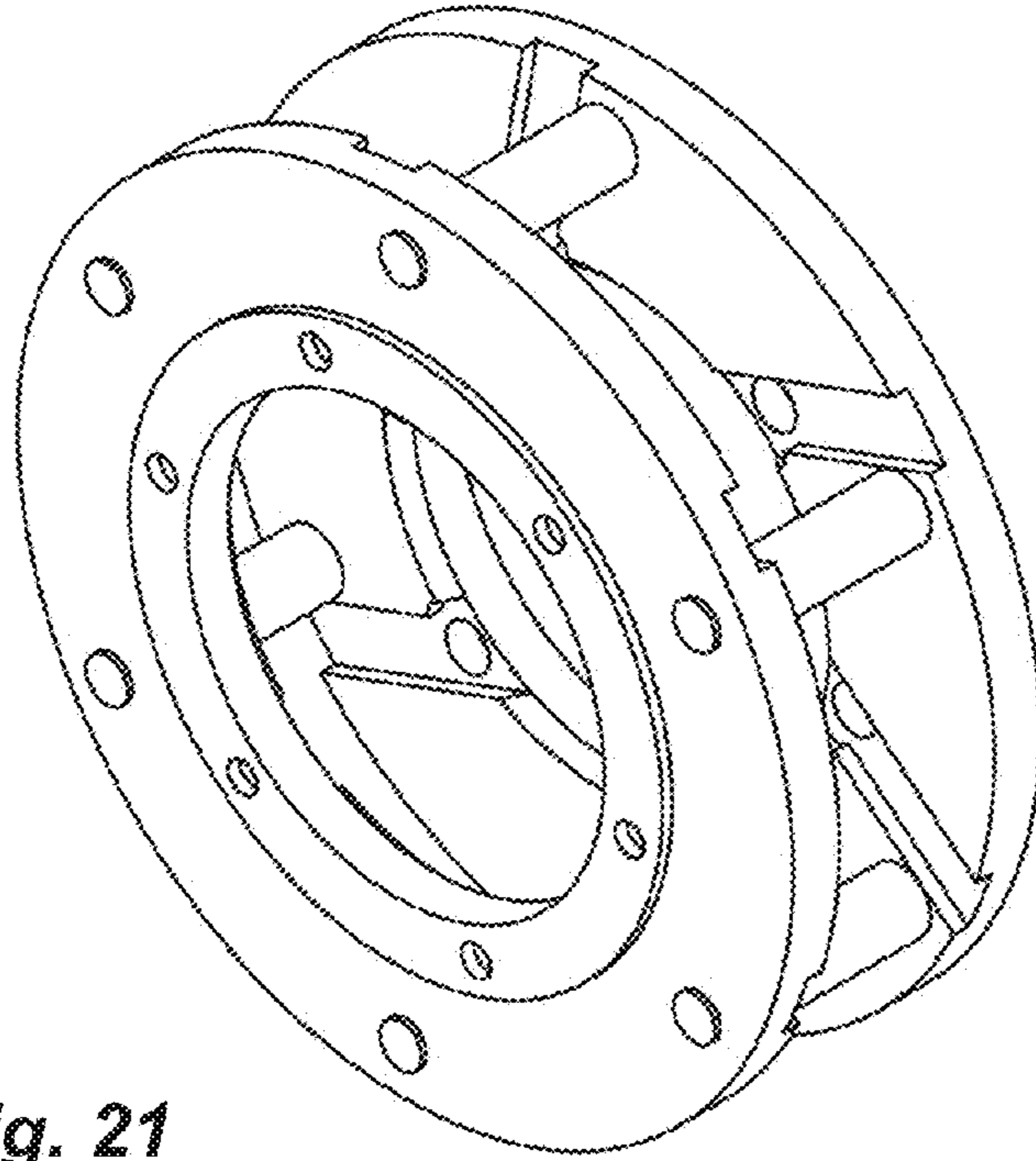
**Fig. 18**



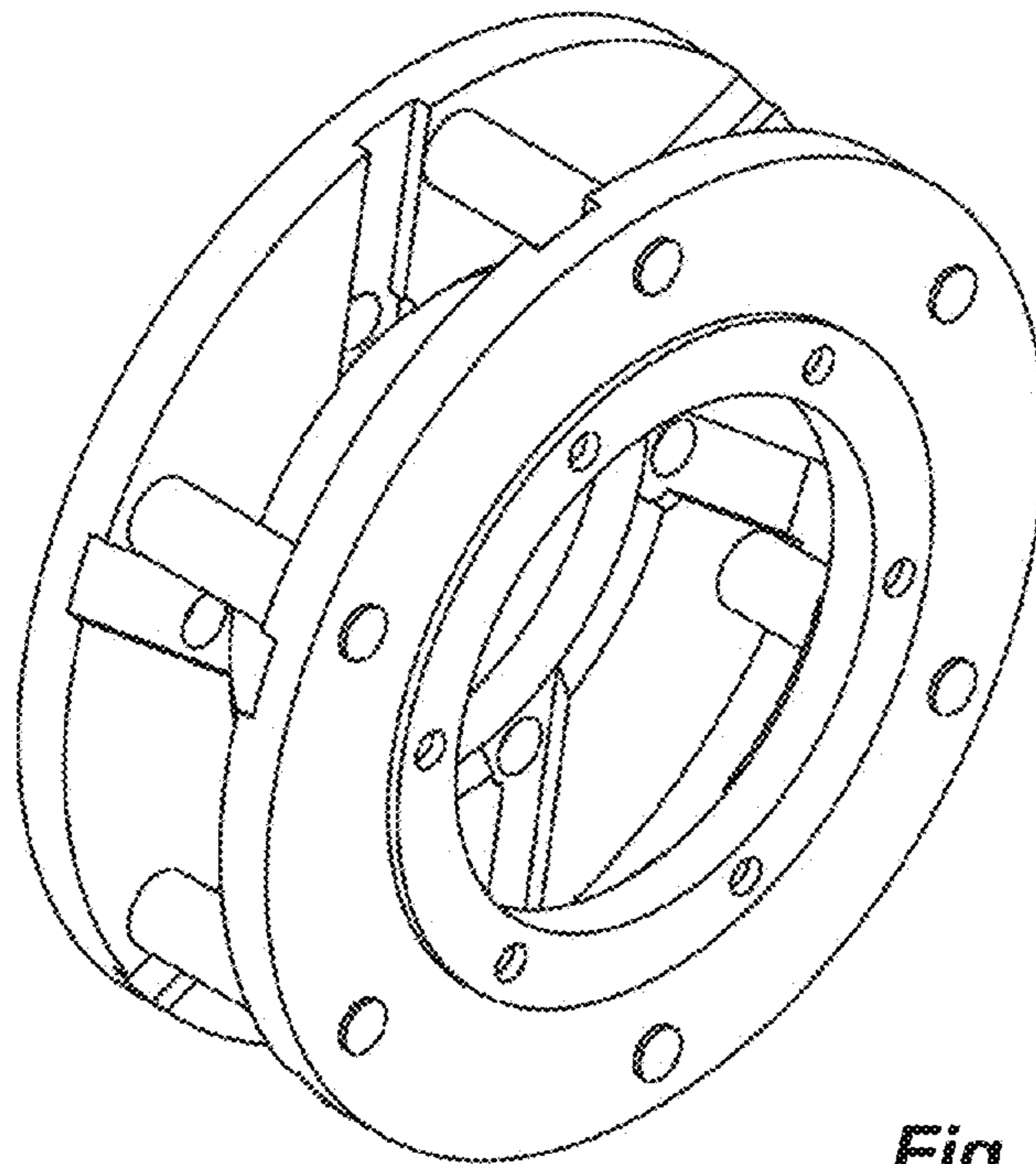
**Fig. 19**



**Fig. 20**



**Fig. 21**



**Fig. 22**