



US00D750141S

(12) **United States Design Patent**
McConnell

(10) **Patent No.:** **US D750,141 S**
(45) **Date of Patent:** **** Feb. 23, 2016**

(54) **APPLIANCE DOOR INTERIOR WITH MULTI-COLOR**

(71) Applicant: **Whirlpool Corporation**, Benton Harbor, MI (US)

(72) Inventor: **Jessica McConnell**, St. Joseph, MI (US)

(73) Assignee: **Whirlpool Corporation**, Benton Harbor, MI (US)

(**) Term: **14 Years**

(21) Appl. No.: **29/450,160**

(22) Filed: **Mar. 15, 2013**

(51) **LOC (10) Cl.** **15-07**

(52) **U.S. Cl.**
USPC **D15/89**

(58) **Field of Classification Search**

USPC D15/79, 81, 84, 85, 86, 88, 89, 91
CPC F25D 2323/02; F25D 2323/021; F25D 2317/06; F25D 2317/062; F25D 2323/121; F25D 2323/122; F25D 2331/806; F25D 2400/36; F25D 13/02; F25D 13/04; F25D 11/02; F25D 11/025

See application file for complete search history.

(56) **References Cited**

U.S. PATENT DOCUMENTS

D508,249 S * 8/2005 Seok et al. D15/86
D511,177 S * 11/2005 Jackovin et al. D15/89

(Continued)

Primary Examiner — Ian Simmons

Assistant Examiner — Khawaja Anwar

(57) **CLAIM**

The ornamental design for an appliance door interior with multi-color, as shown and described.

DESCRIPTION

FIG. 1 is a perspective view of the outside of a refrigerator in a closed configuration and including the appliance door interior with multi-color of the present design;

FIG. 2 is a front elevation view thereof;

FIG. 3 is a right side elevation view thereof;

FIG. 4 is a top plan view thereof;

FIG. 5 is a bottom plan view thereof;

FIG. 6 is a front perspective view thereof in an open configuration showing the appliance door interior with multi-color;

FIG. 7 is a front plan view of the unclaimed cabinet interior of the present design;

FIG. 8 is a perspective view of the right side thereof;

FIG. 9 is a perspective view of the left side thereof;

FIG. 10 is a perspective view of the right door of the appliance door interior with multi-color;

FIG. 11 is an elevation view thereof;

FIG. 12 is a perspective view of the left door of the appliance door interior with multi-color;

FIG. 13 is an elevation view thereof;

FIG. 14 is a front perspective view of the refrigerator in the open configuration showing the appliance door interior with multi-color and, further with an unclaimed freezer drawer shown in an open configuration; and,

FIG. 15 is a perspective view of the interior of the unclaimed freezer drawer.

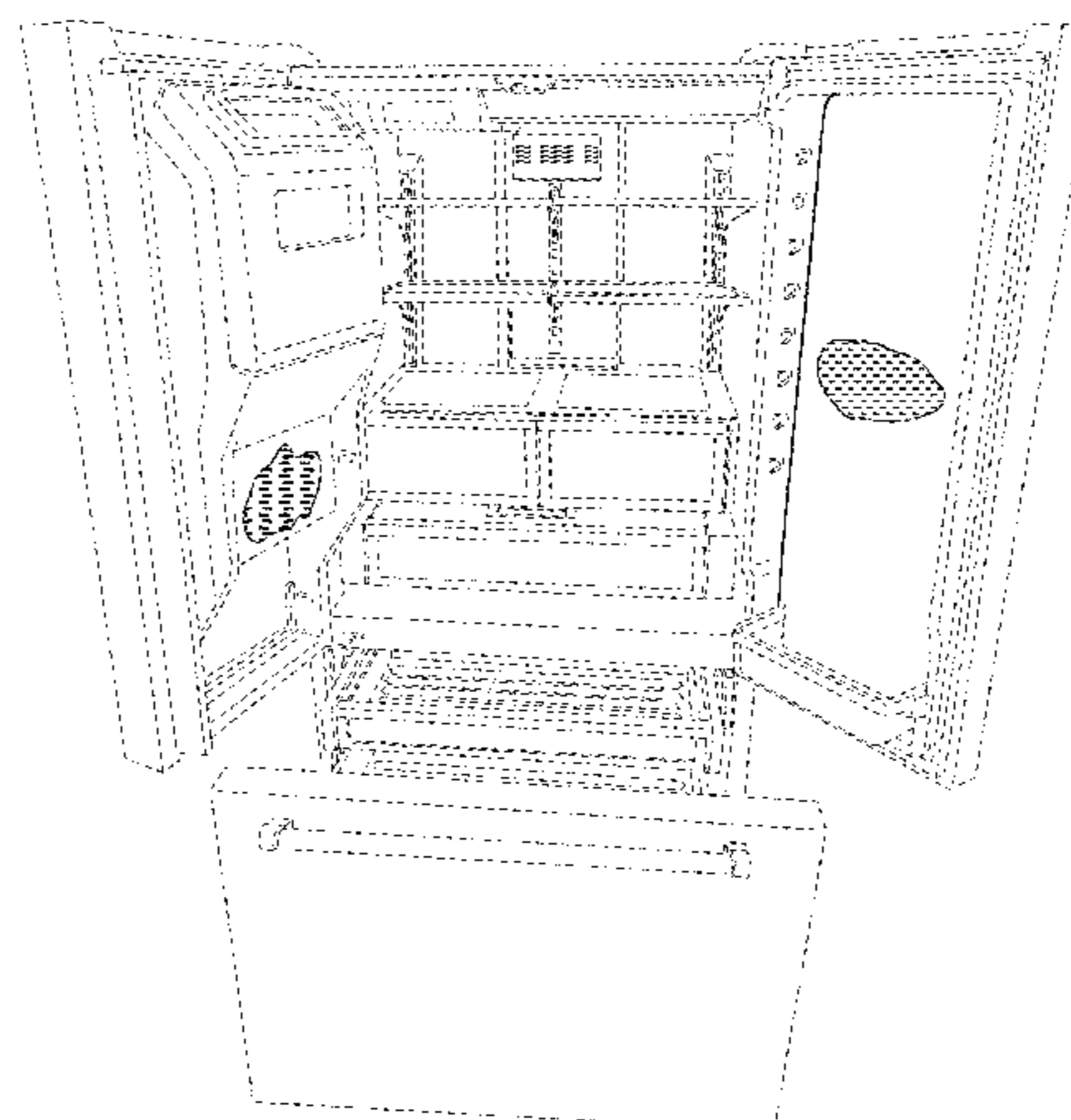
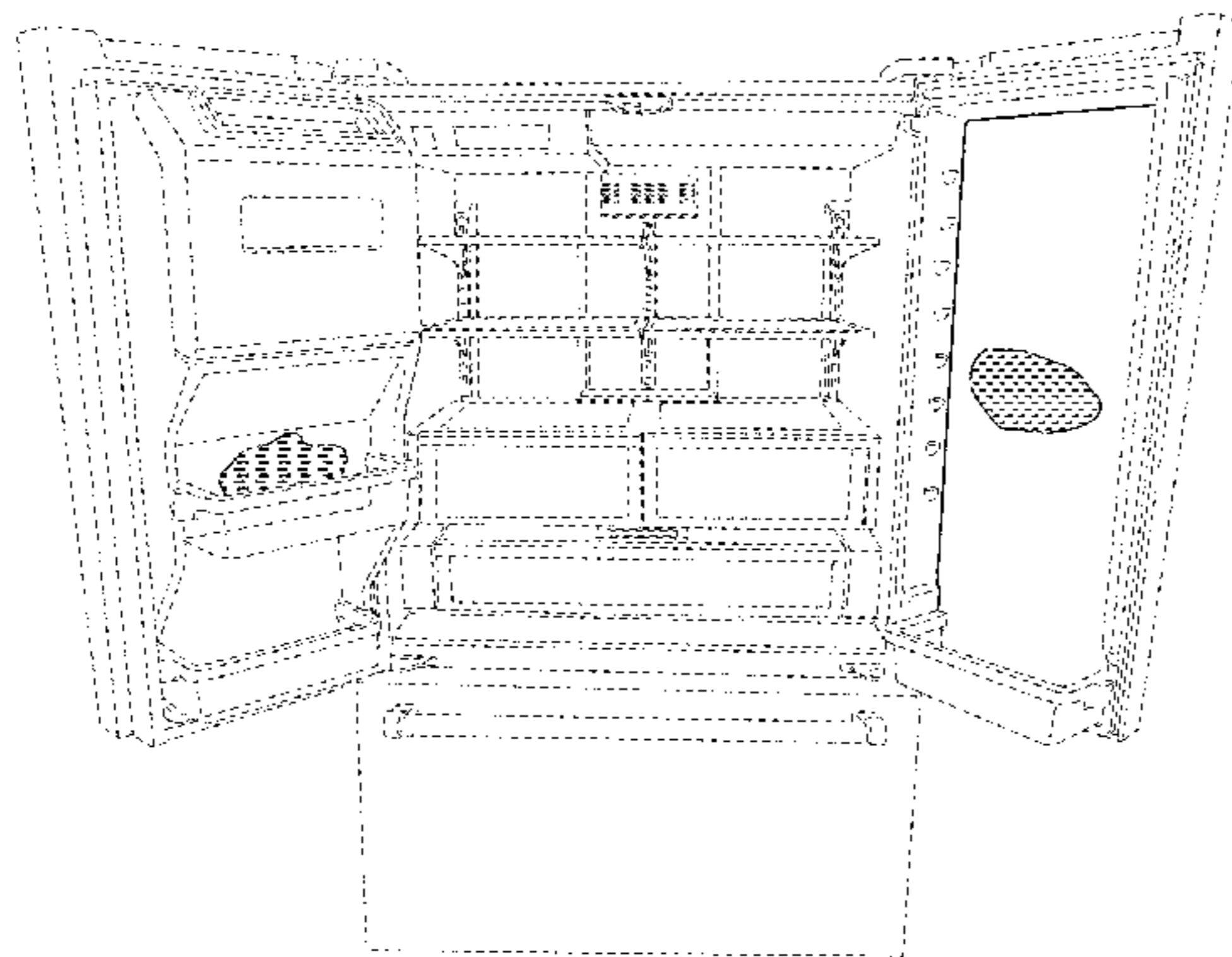
The broken lines in the figures are for contextual purposes or show the environment and form no part of the claimed design. The shaded portions within the dot-dash-dot-dash lines on the right door liner of the appliance are merely representative of the color of liner. The shaded portions on the right door represent the color silver, where the color silver has the following color characteristics according to the CIELAB System:

25 degree angle	L 75.18	a +.21	b +2.70
45 degree angle	L 59.40	a -1.59	b -2.33
75 degree angle	L 49.36	a -2.96	b -5.82

The shaded portions within the dot-dash-dot-dash lines on the left door are merely representative of the color of the ice structure. The shaded portions represent the color gray, where the color gray color has the following color characteristics according to the CIELAB System:

Illuminant A	L 59.21	a -.76	b -1.78
Illuminant F2	L 59.23	a -.32	b -1.72

1 Claim, 14 Drawing Sheets



(56)

References Cited

U.S. PATENT DOCUMENTS

D511,179 S	*	11/2005	Tunzi	D15/89	D668,696 S	10/2012	Seo et al.	
D518,832 S	*	4/2006	Park et al.	D15/85	D671,151 S	11/2012	Seo et al.	
D616,001 S		5/2010	Yang et al.		D671,572 S	11/2012	Seo et al.	
D629,819 S	*	12/2010	Placke et al.	D15/89	D674,417 S	1/2013	Seo et al.	
D639,315 S	*	6/2011	Yang et al.	D15/85	D685,010 S	6/2013	Seo et al.	
D647,927 S	*	11/2011	Lee et al.	D15/85	D707,735 S	*	6/2014	Cho et al. D15/91
D654,515 S	*	2/2012	Hwang et al.	D15/85	D710,401 S	*	8/2014	Ringemann et al. D15/85
D655,321 S	*	3/2012	Lee et al.	D15/86	D710,402 S	*	8/2014	Jeon et al. D15/86
D658,214 S		4/2012	Seo et al.		D716,851 S	*	11/2014	Seo et al. D15/89
					D718,346 S	*	11/2014	Cho et al. D15/81
					D718,349 S	*	11/2014	Cho et al. D15/85

* cited by examiner

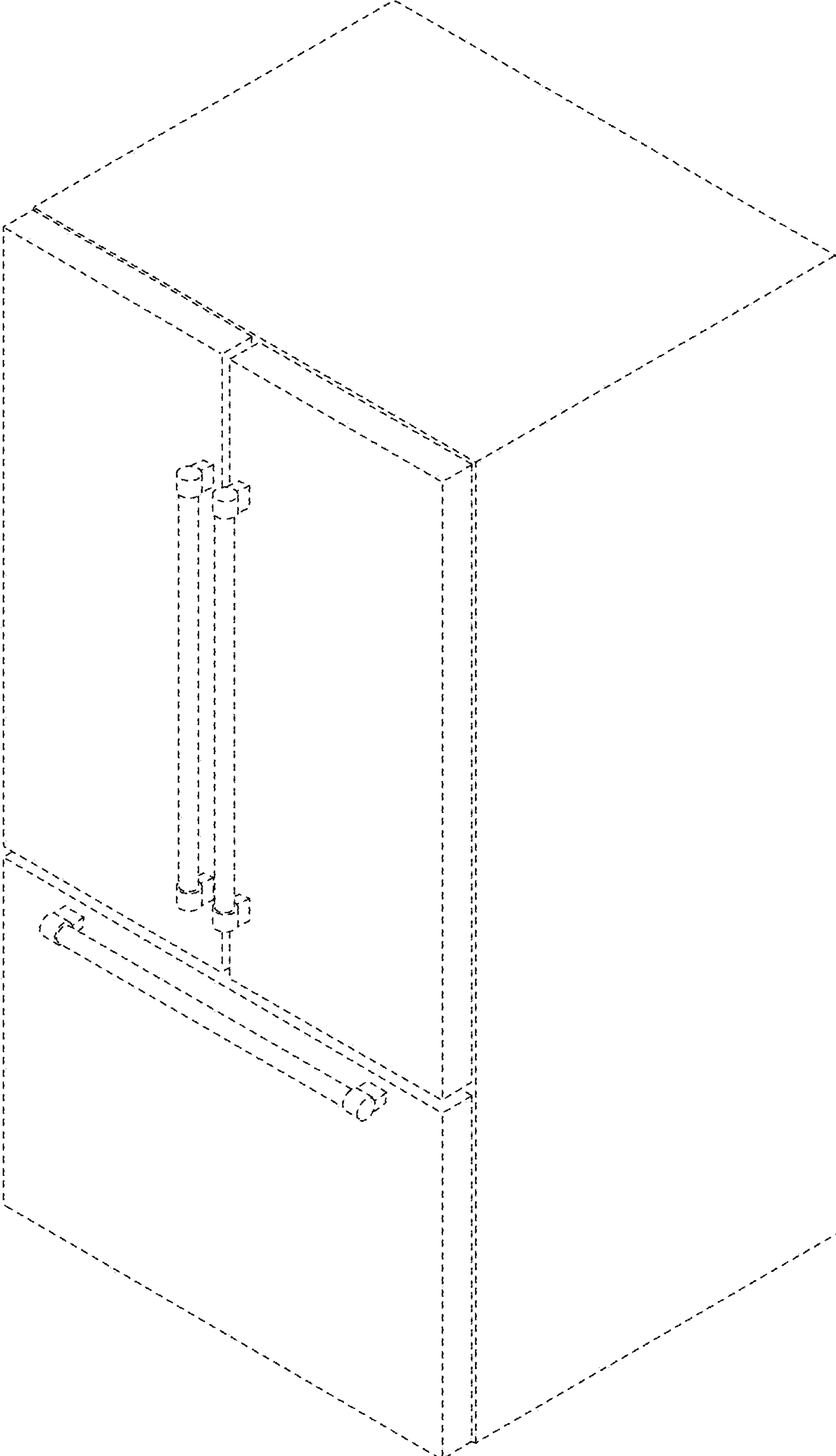


FIG. 1

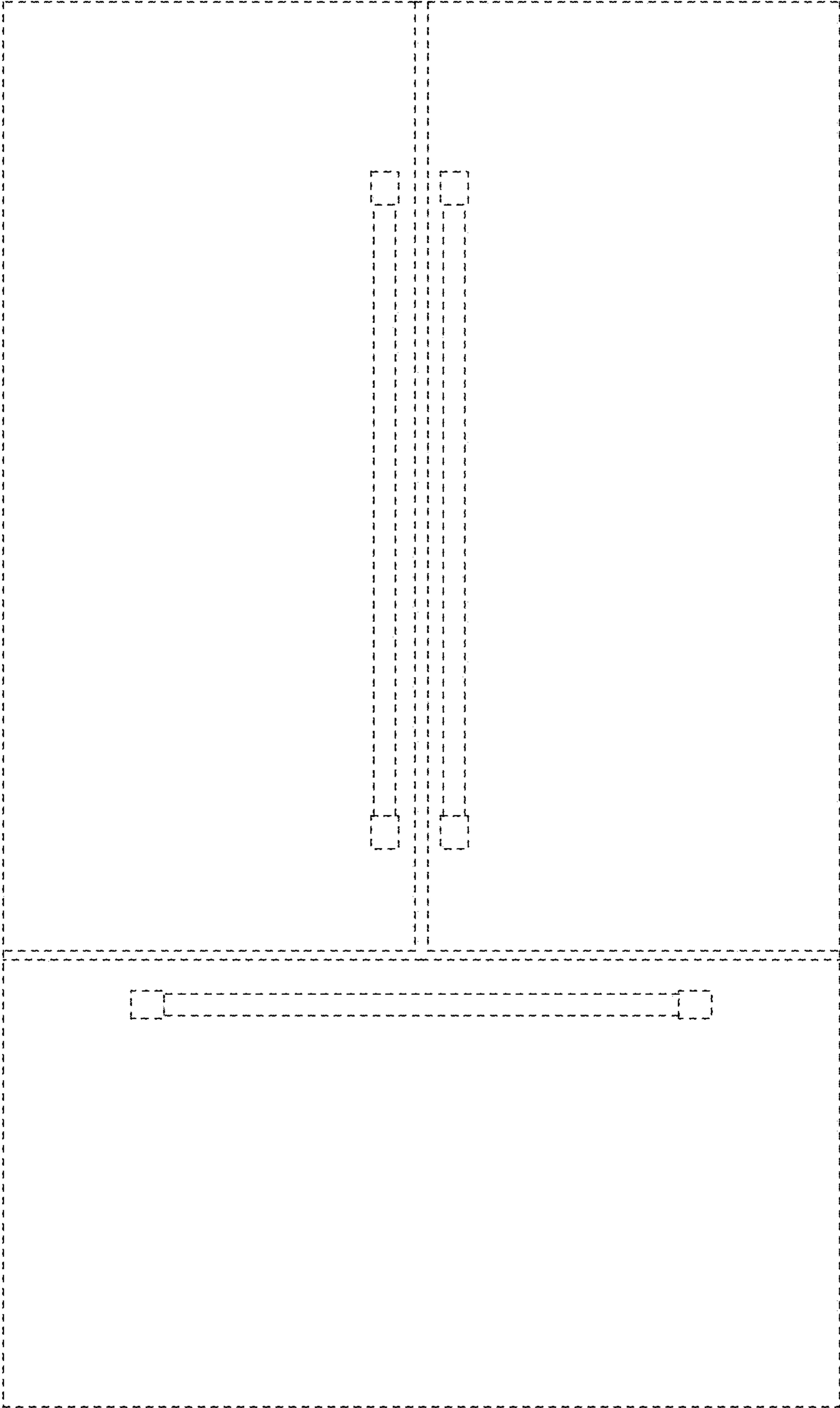


FIG. 2

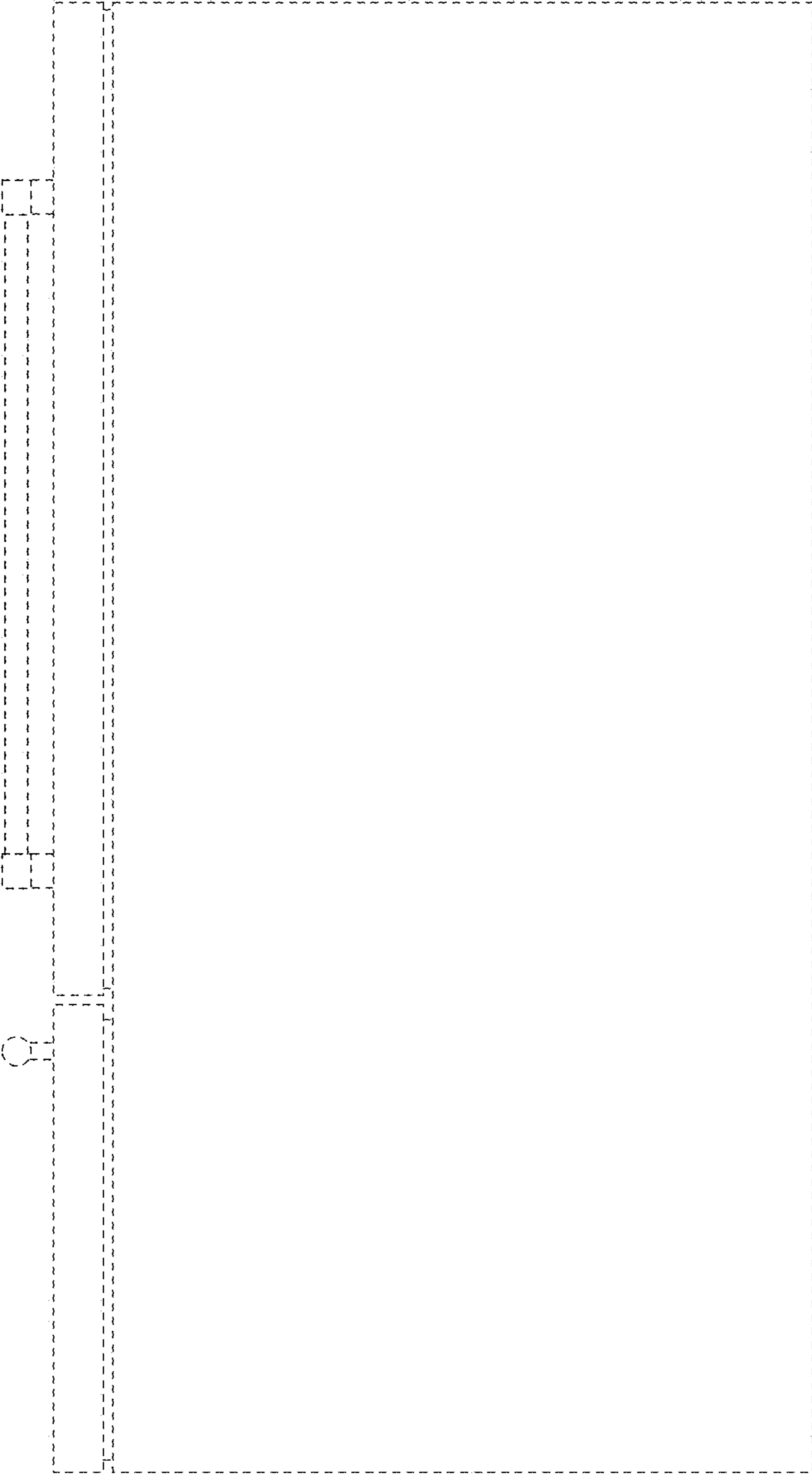


FIG. 3

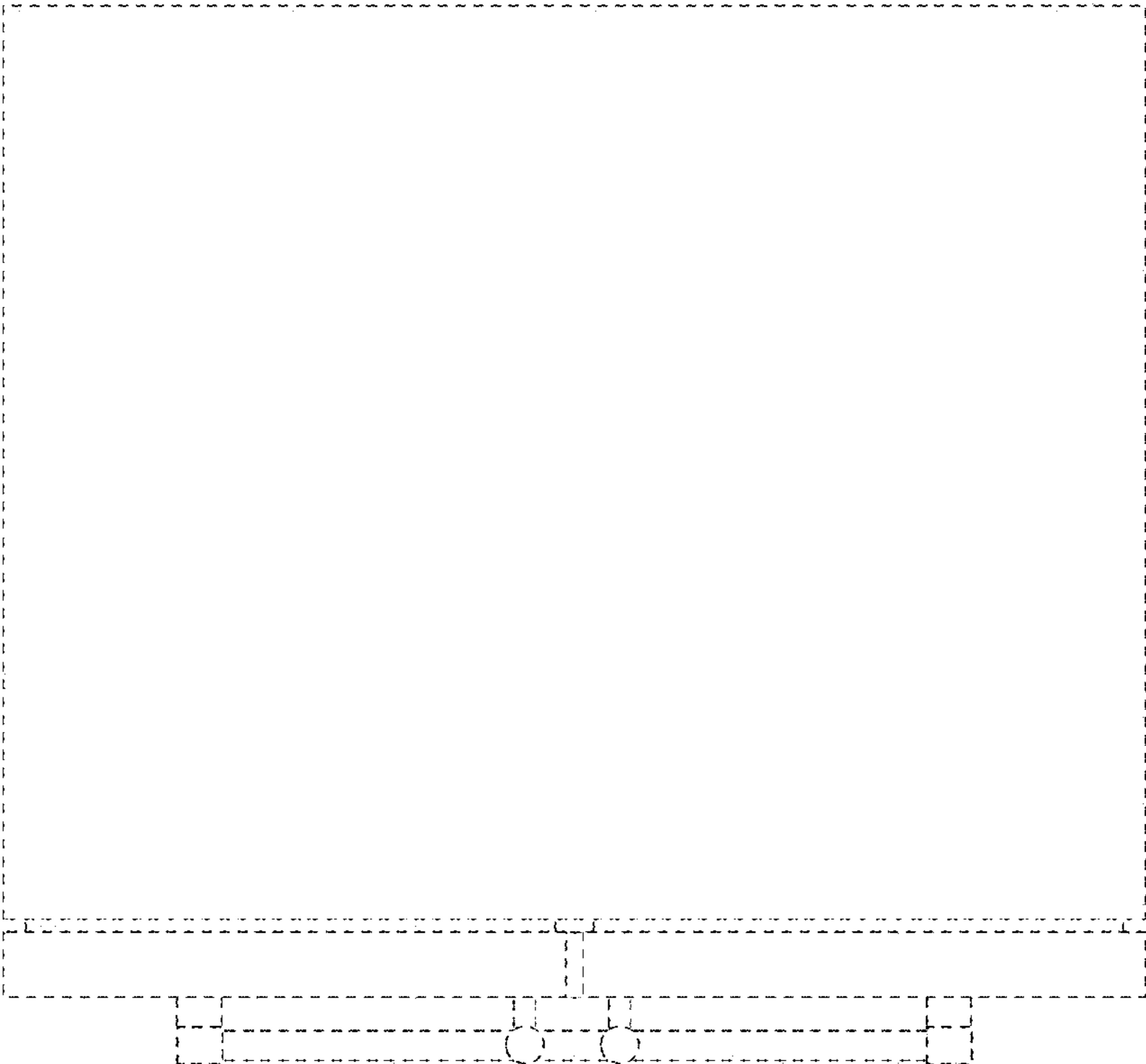


FIG. 4

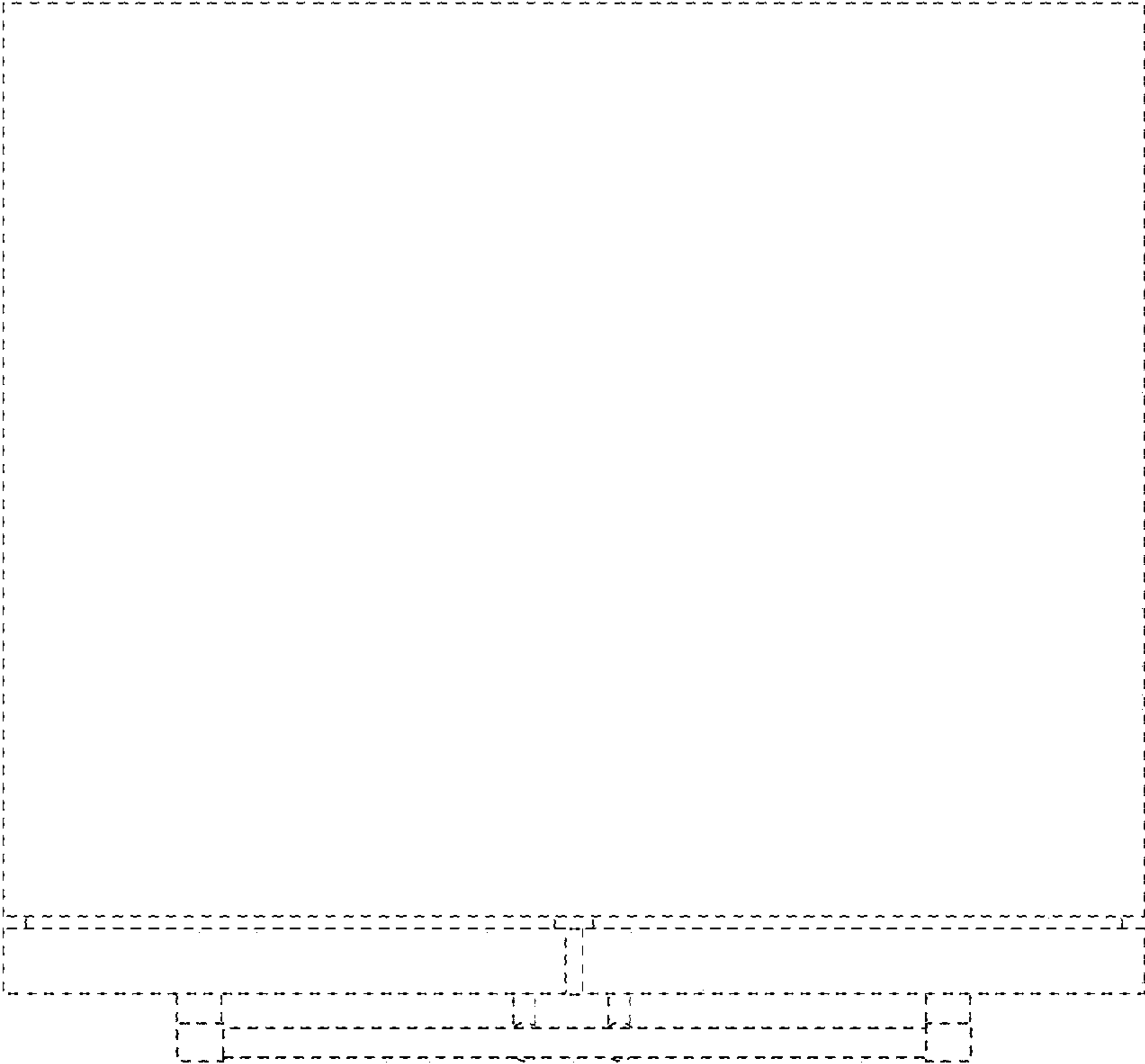


FIG. 5

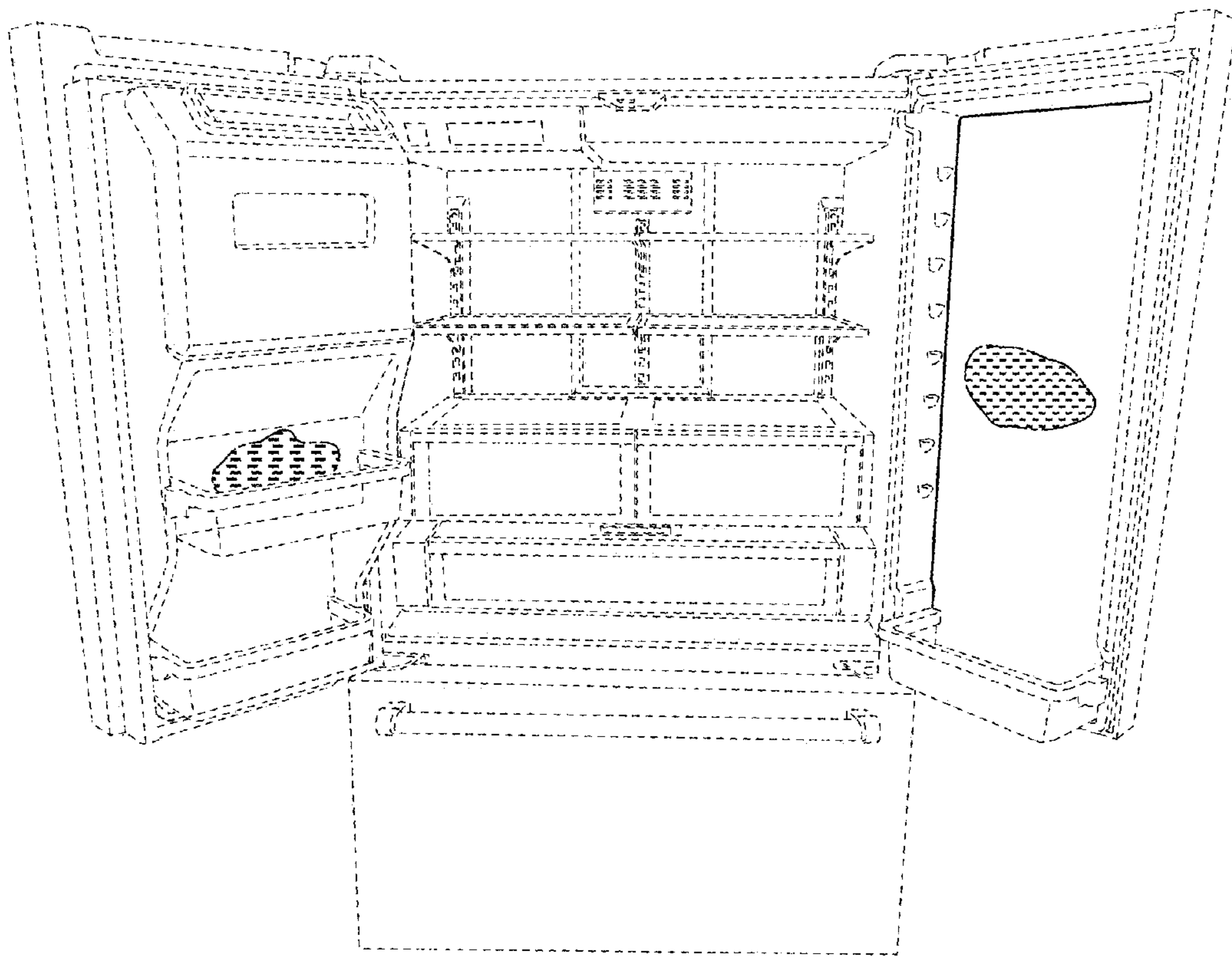


FIG. 6

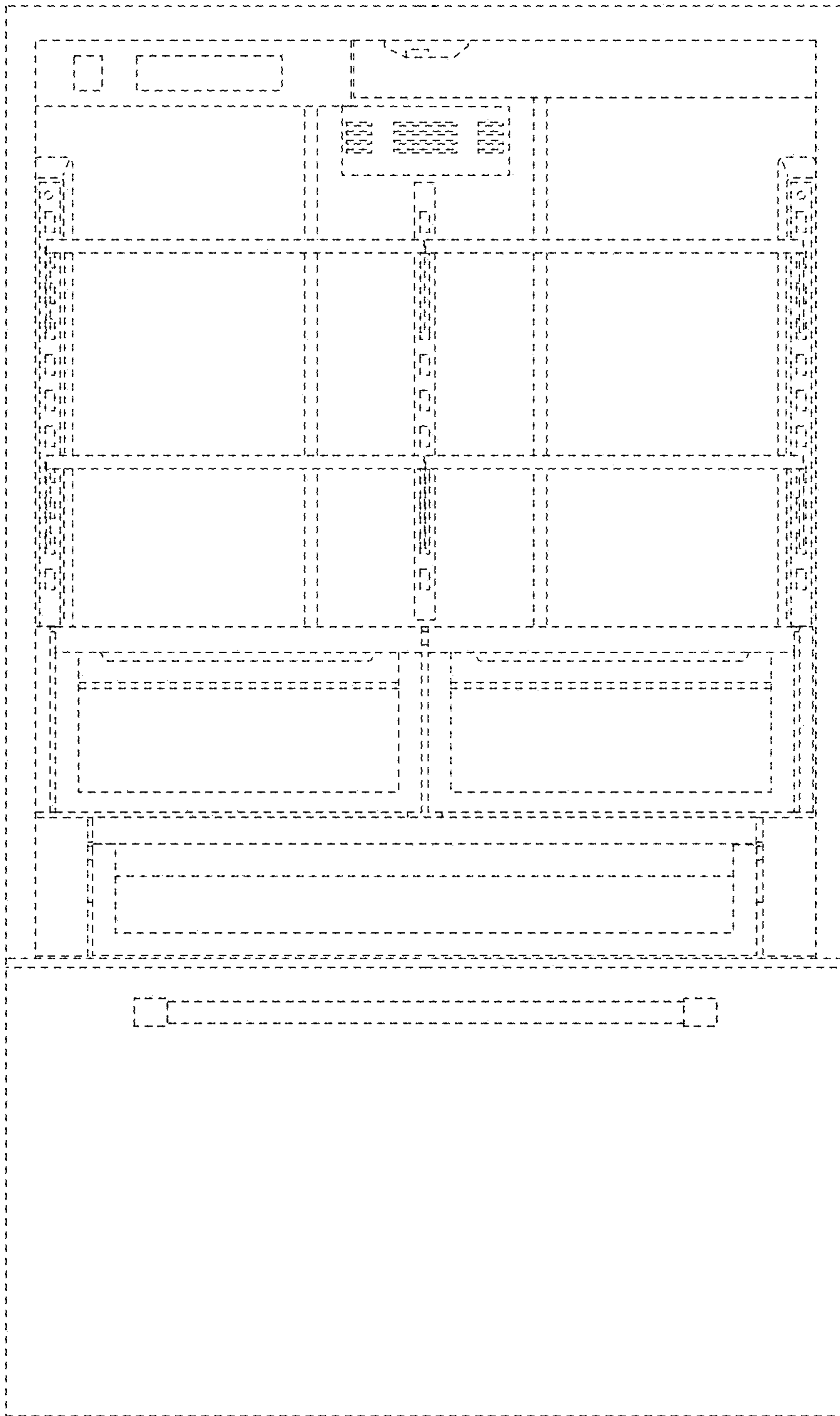


FIG. 7

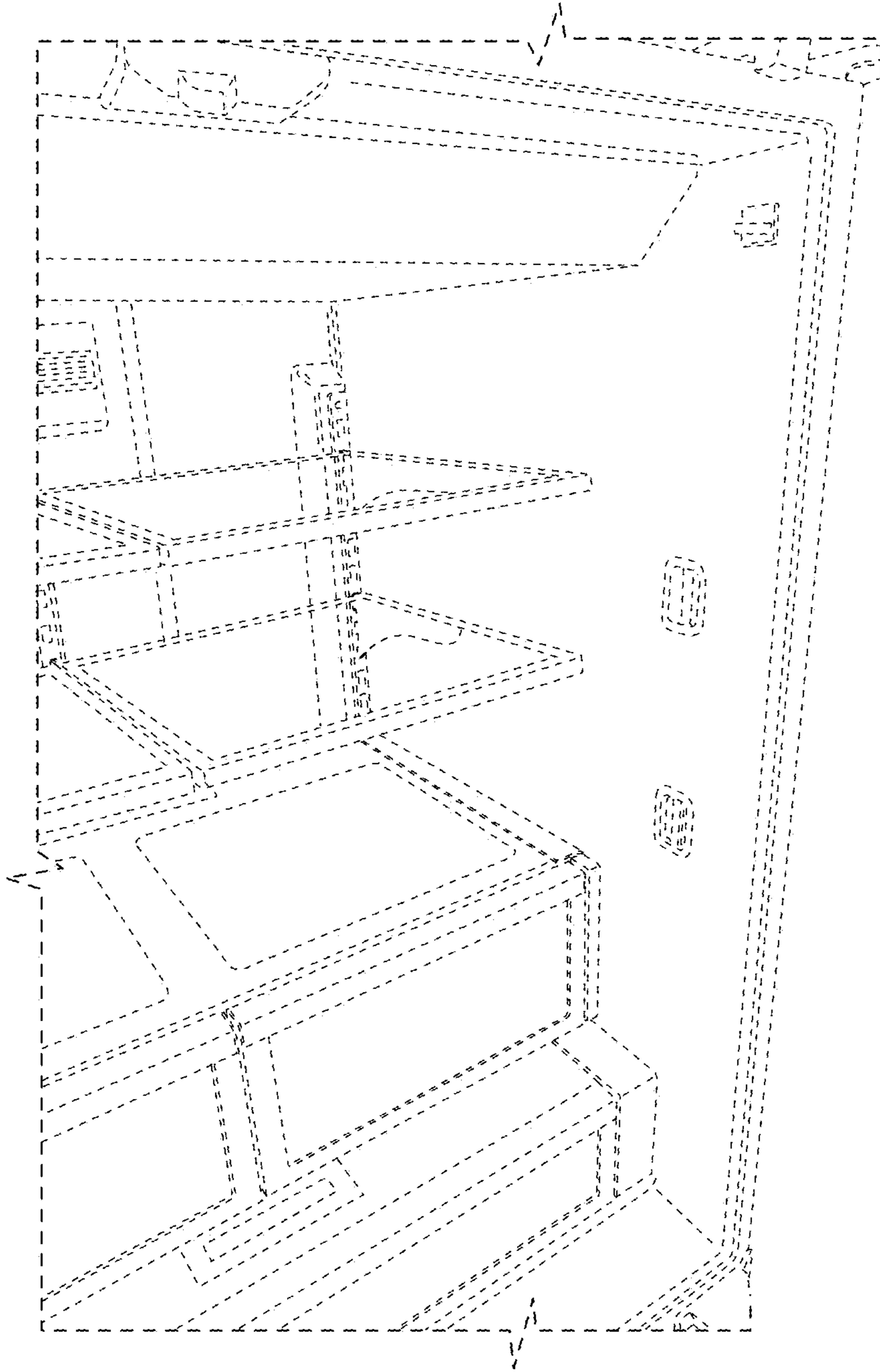


FIG. 8

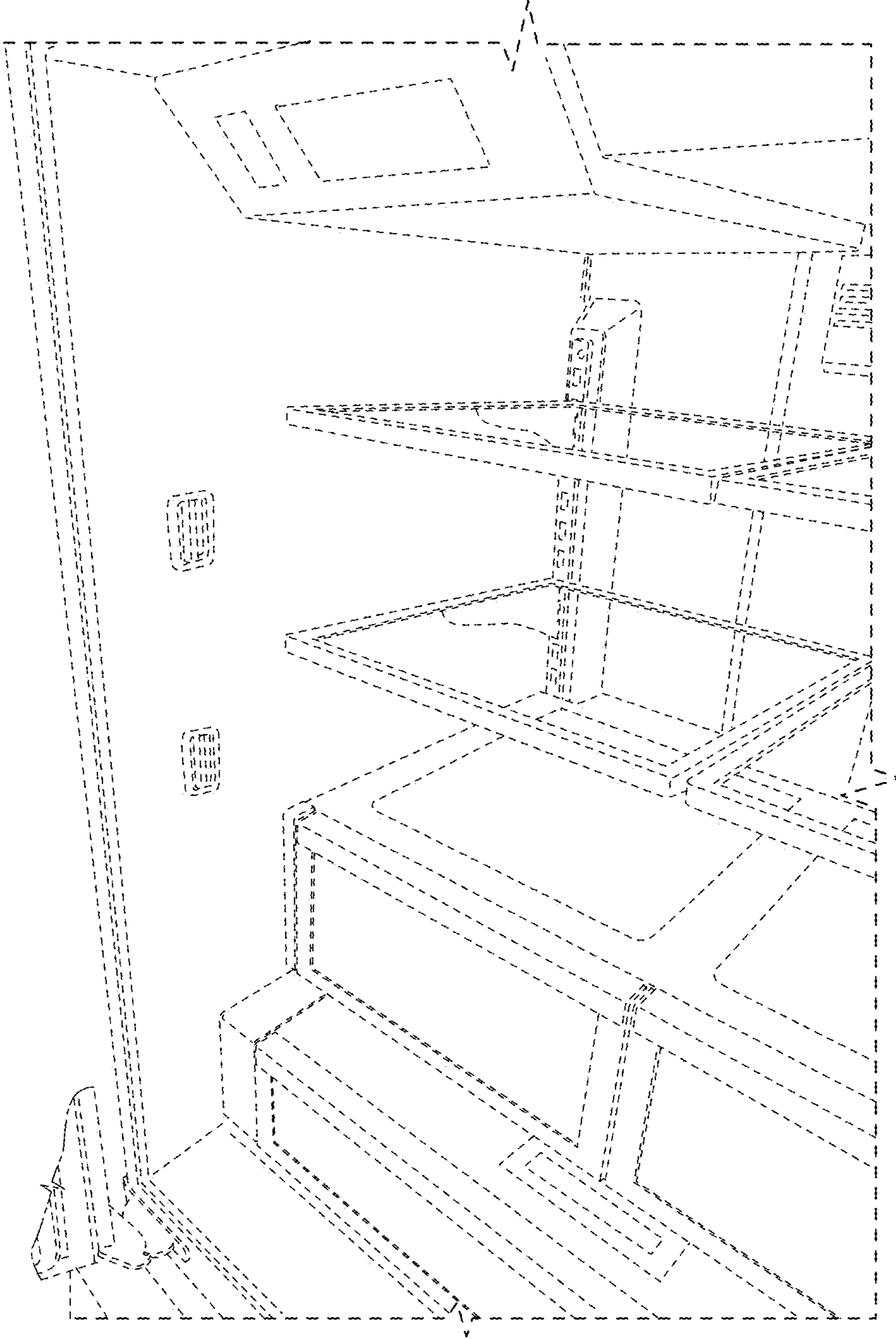


FIG. 9

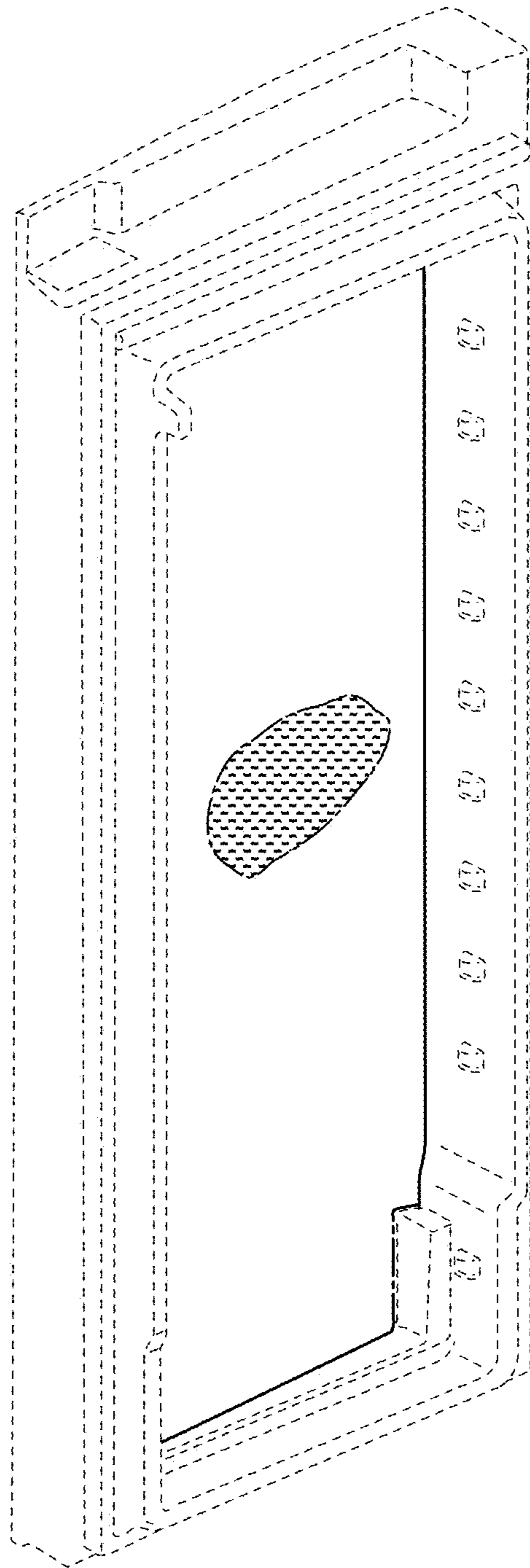


FIG. 10

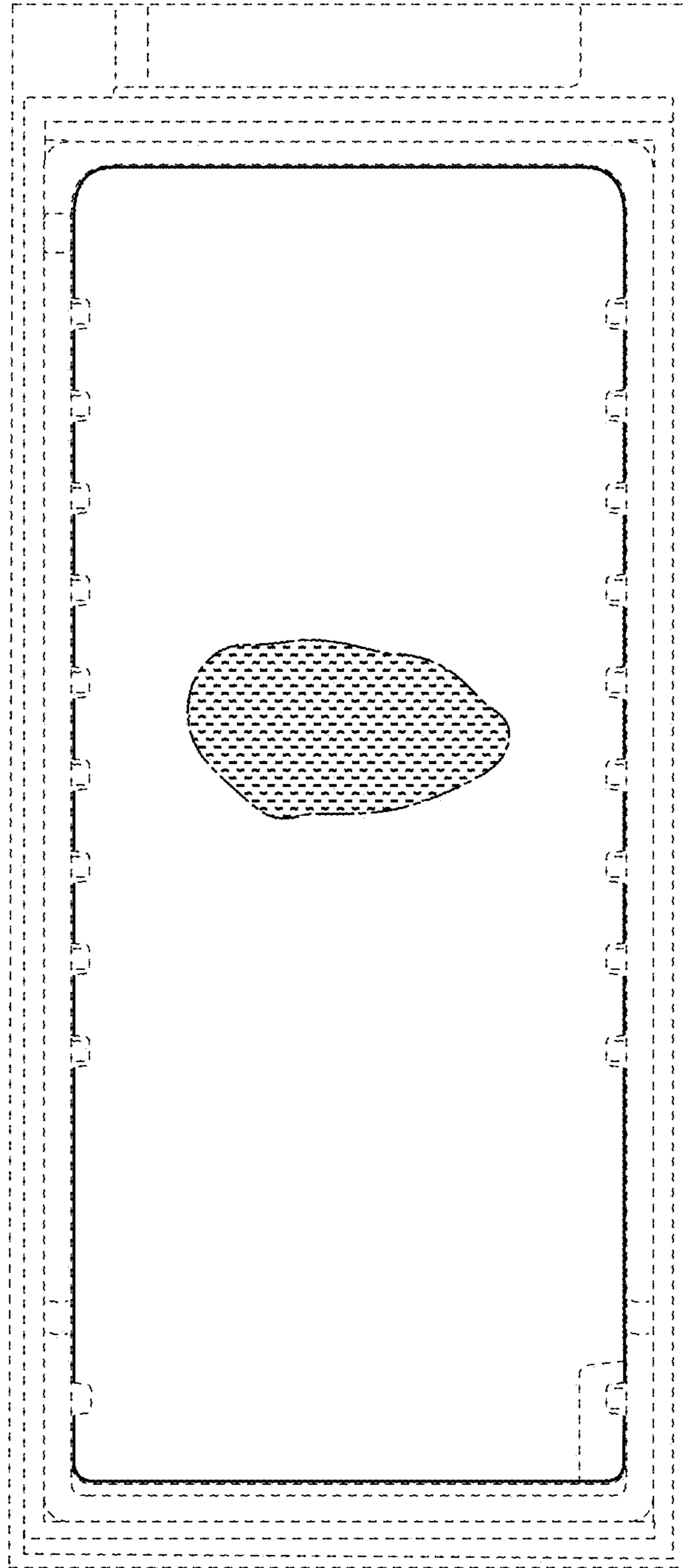


FIG. 11

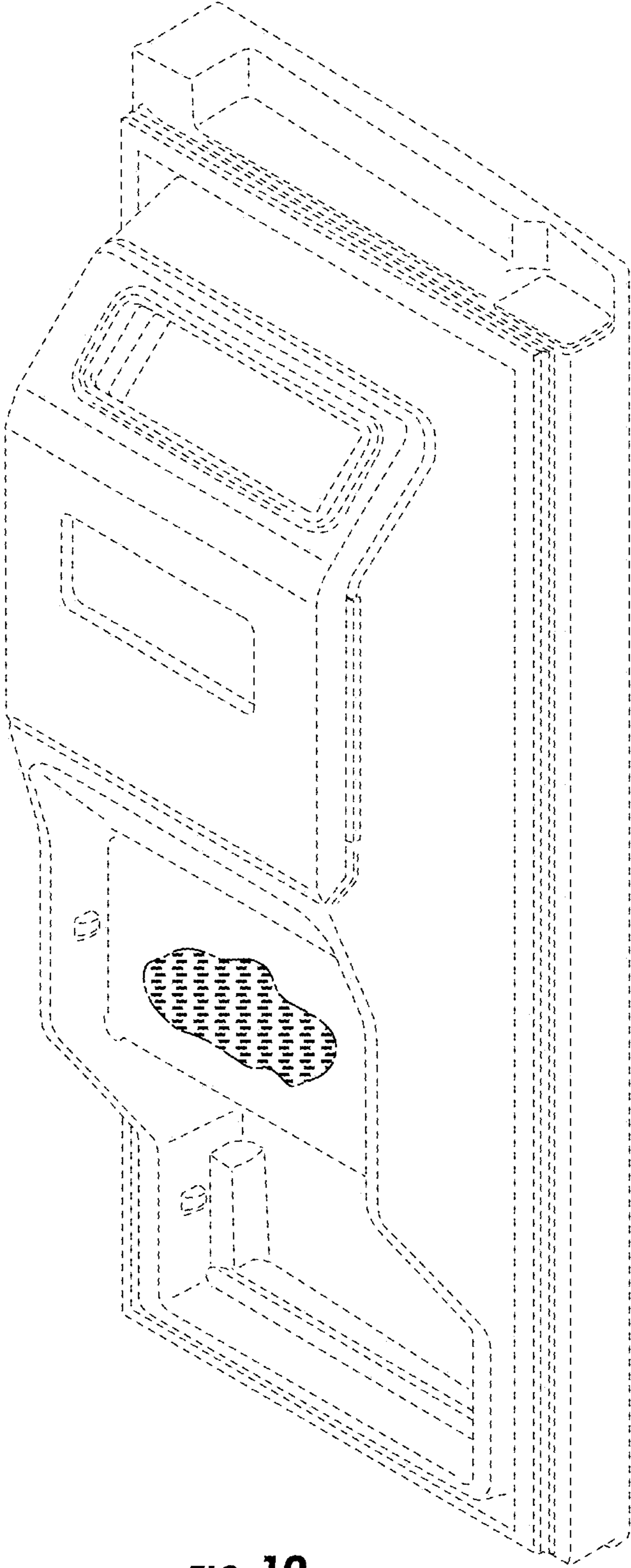


FIG. 12

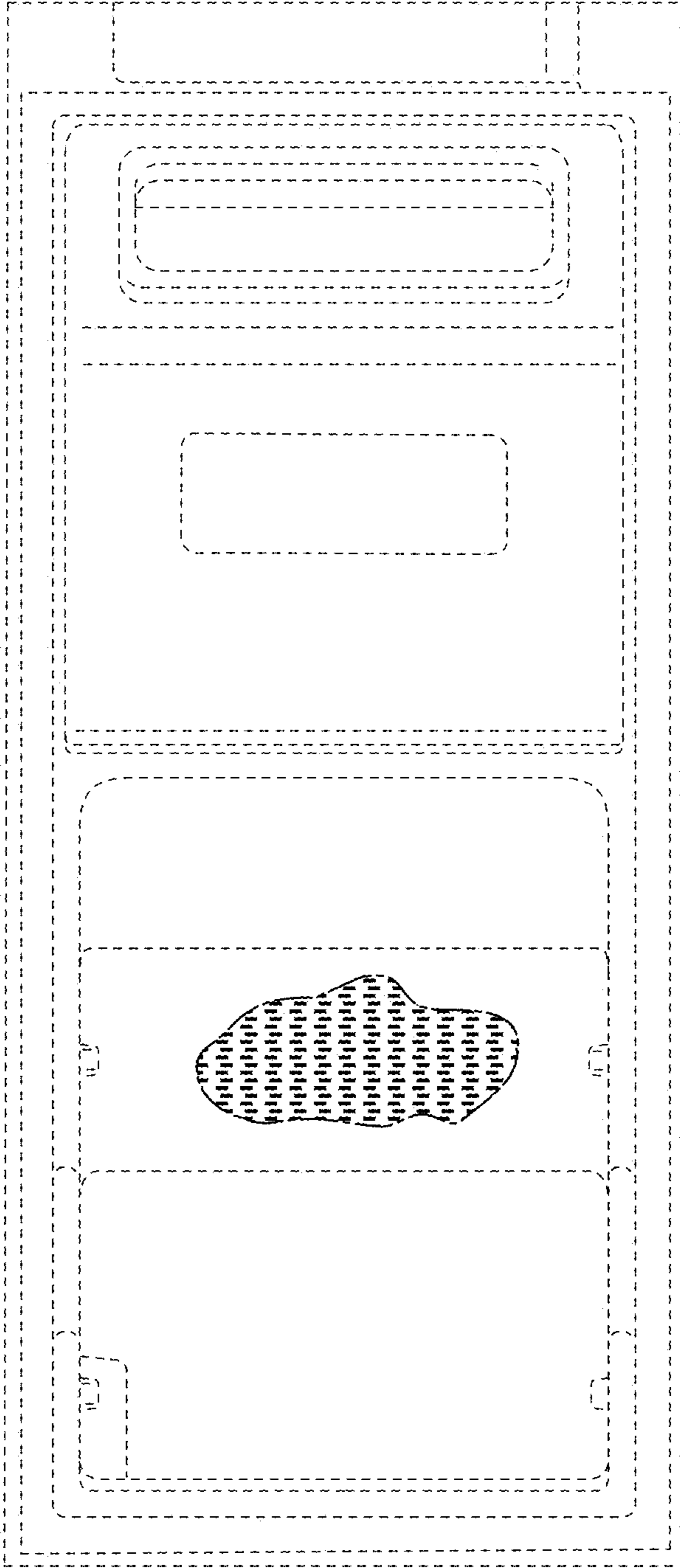


FIG. 13

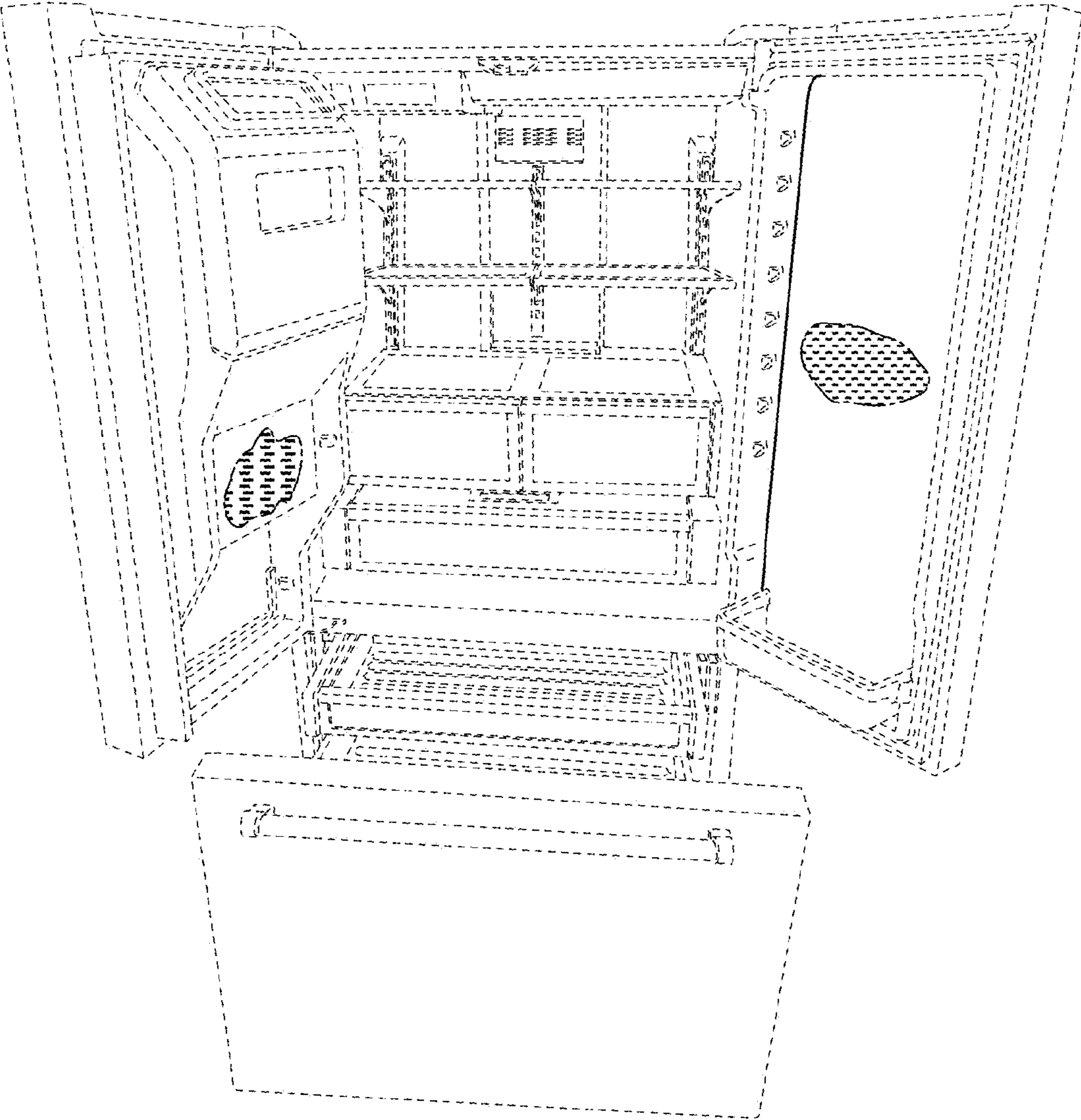


FIG. 14

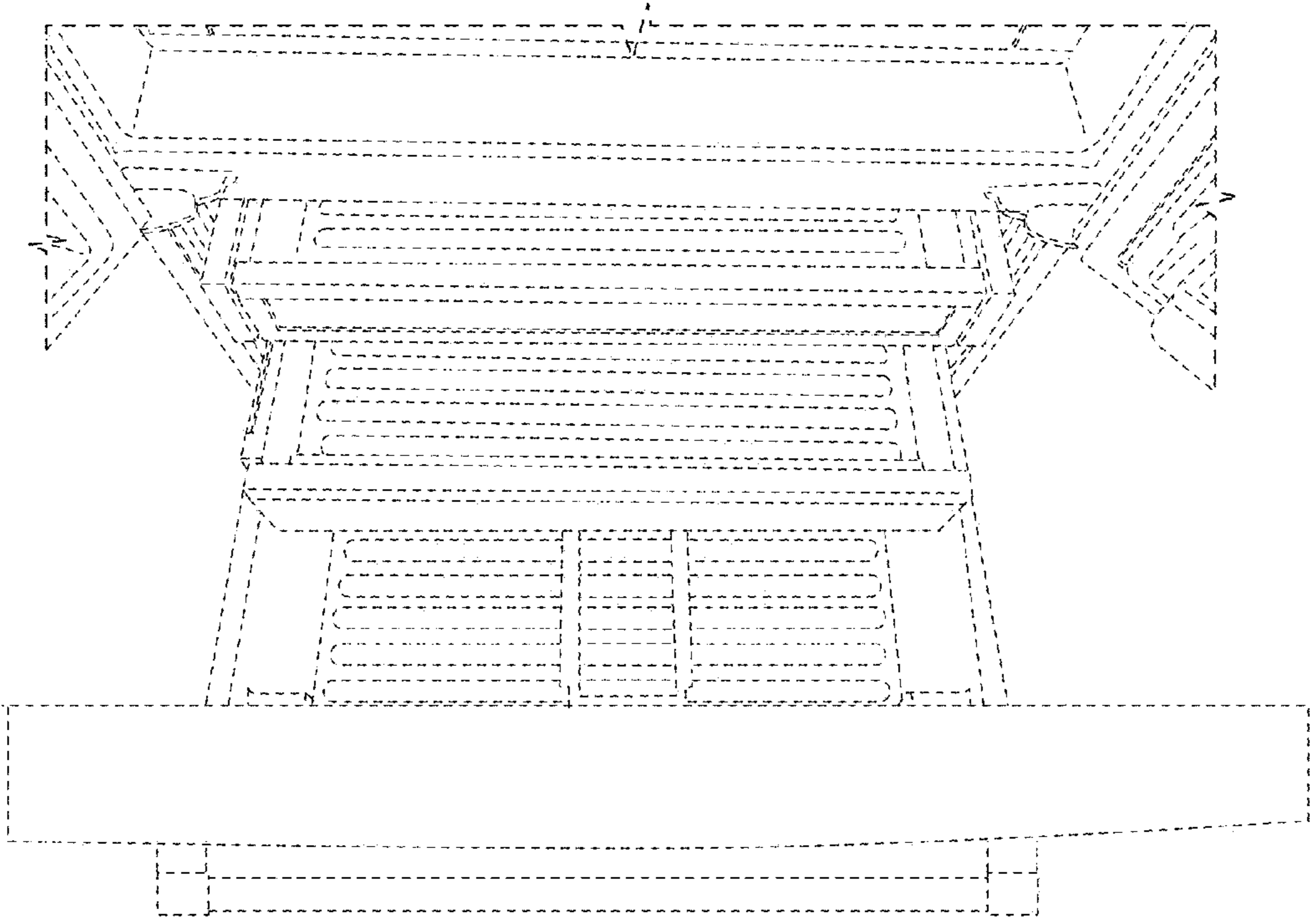


FIG. 15