



US00D750140S

(12) **United States Design Patent**
Cross

(10) **Patent No.:** **US D750,140 S**
(45) **Date of Patent:** **** Feb. 23, 2016**

(54) **COOLER DESIGN**

(71) Applicant: **Rokbox Industires, LLC**, New Braunfels, TX (US)

(72) Inventor: **Ben Cross**, New Braunfels, TX (US)

(73) Assignee: **Rokbox Industries, LLC**, New Braunfels, TX (US)

(**) Term: **14 Years**

(21) Appl. No.: **29/509,679**

(22) Filed: **Nov. 20, 2014**

(51) **LOC (10) Cl.** **15-07**

(52) **U.S. Cl.**
USPC **D15/81**

(58) **Field of Classification Search**
USPC D15/79-91
CPC F25B 21/02; F25B 2321/02; F25B 1/005;
F25B 2321/0252; F25B 1/00; F25B 1/10;
F25B 21/04; F25B 2339/047; F25B 5/02;
F25B 7/00; F25B 13/00; F25B 1/053; F25B
2309/06; F25B 2321/021; F25B 2321/023;
F25D 23/028; F25D 23/02; F25D 25/025;
F25D 23/00; F25D 2323/021; F25D 11/00;
F25D 2323/024; F25D 23/04; F25D 29/00;
F25D 25/02; F25D 25/024; F25D 27/005;
F25D 23/12; F25D 29/005; F25D 17/042;
F25D 2325/021

See application file for complete search history.

(56) **References Cited**

U.S. PATENT DOCUMENTS

D503,413	S	*	3/2005	Diaz	D15/83
D551,259	S	*	9/2007	Wilson	D15/79
D660,885	S	*	5/2012	Crawford	D15/83
D671,570	S	*	11/2012	Resch	D15/83
D689,531	S	*	9/2013	Gossens	D15/83

* cited by examiner

Primary Examiner — Daniel Bui

Assistant Examiner — Khawaja Anwar

(74) *Attorney, Agent, or Firm* — Shannon L Warren

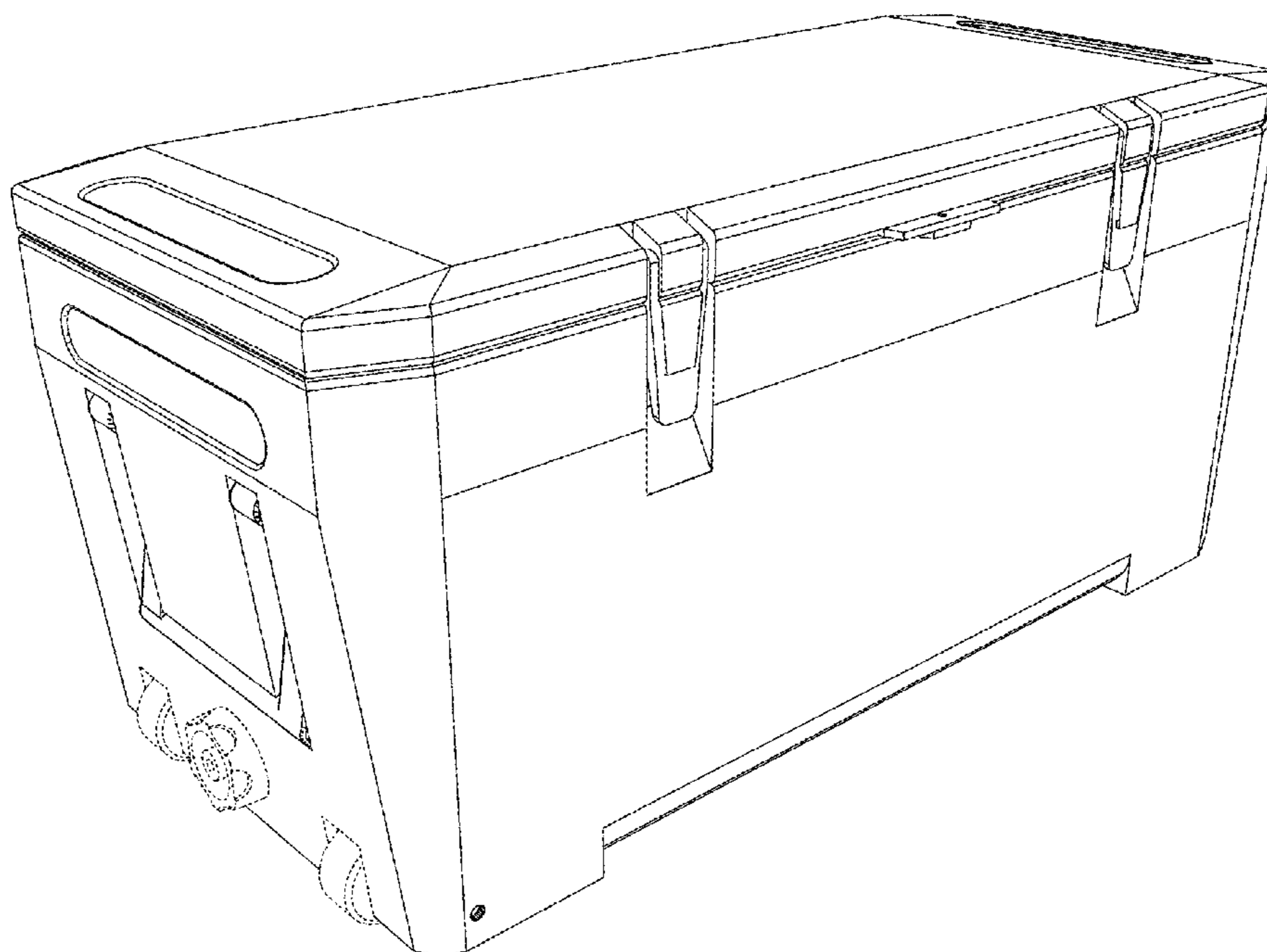
(57) **CLAIM**

The ornamental design for a cooler design, as shown and described.

DESCRIPTION

FIG. 1 is front, left perspective view of a cooler design showing my new design;
FIG. 2 is a front, right perspective view thereof;
FIG. 3 is a front elevation view thereof;
FIG. 4 is a rear elevation view thereof; and,
FIG. 5 is a left side elevation view thereof.
The broken line in the figure drawings represents unclaimed environment only and forms no part of the claimed design.

1 Claim, 5 Drawing Sheets



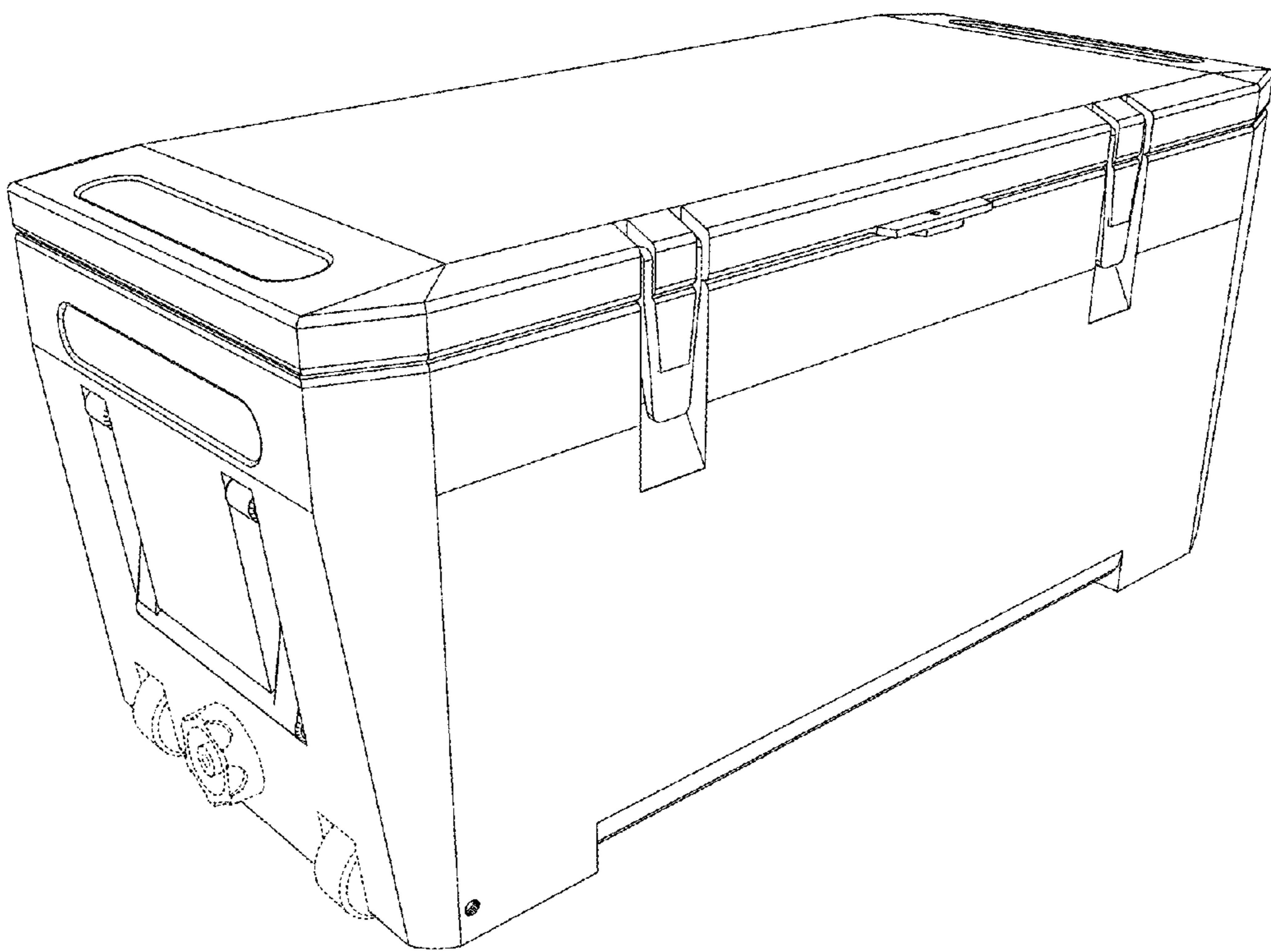


FIG. 1

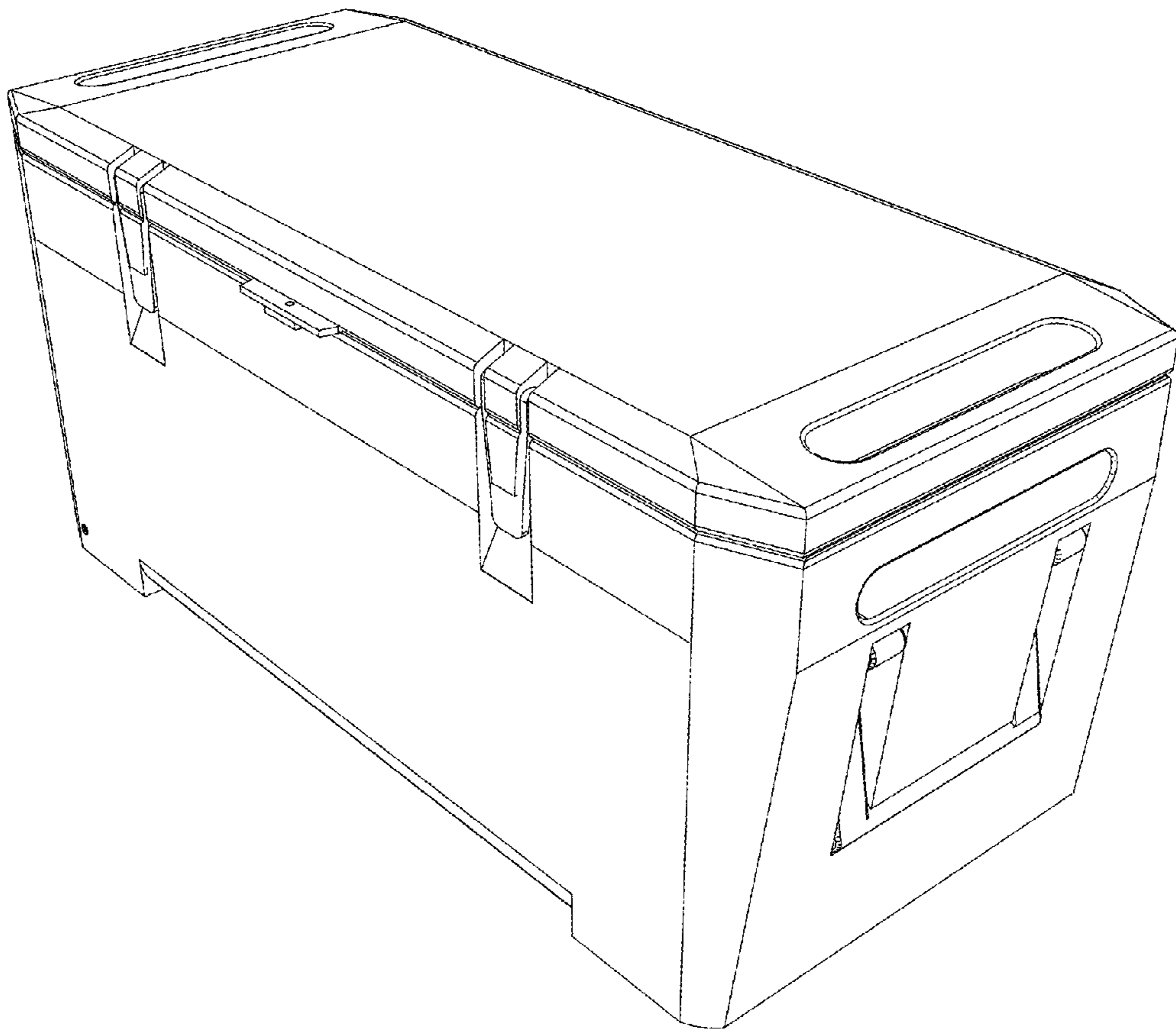


FIG. 2

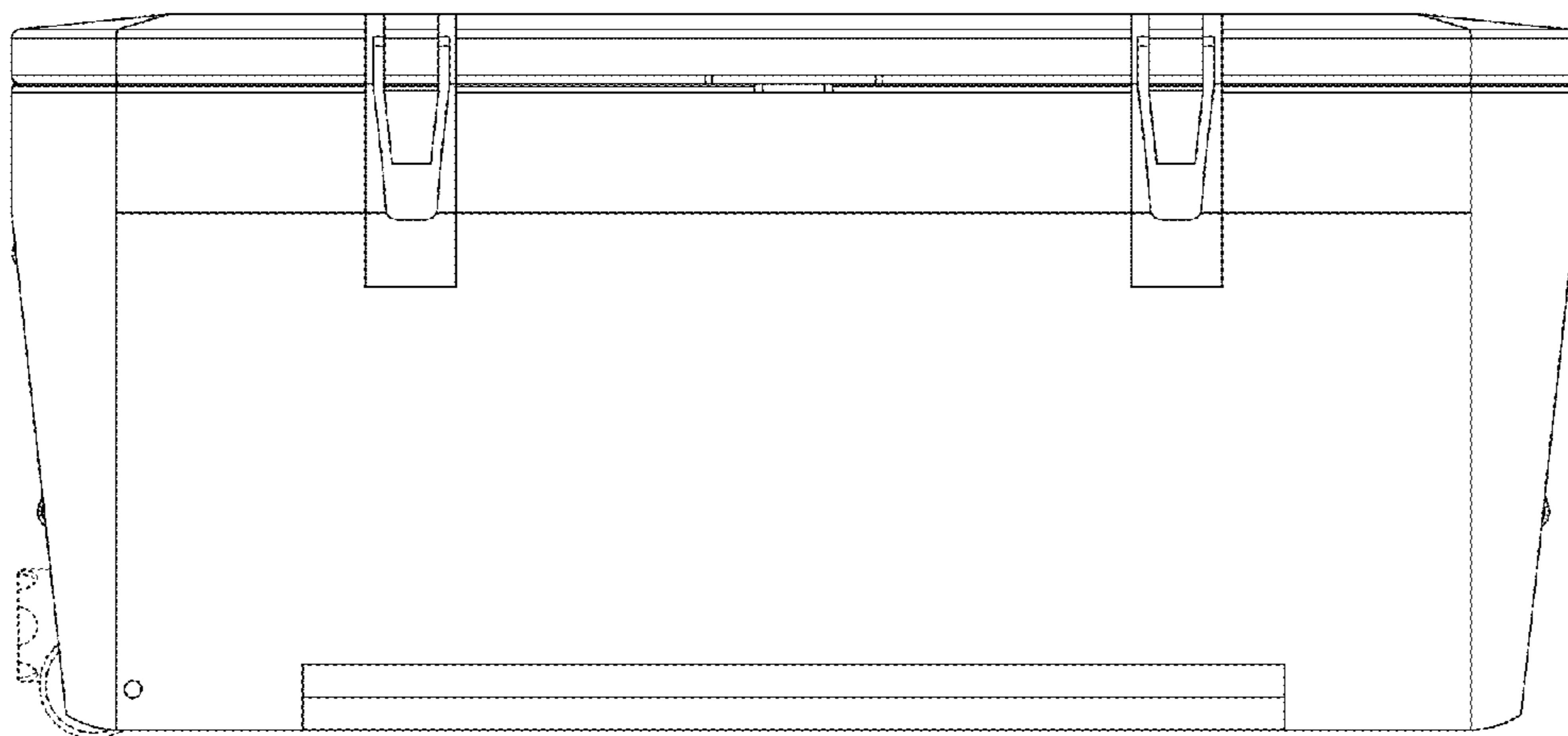


FIG. 3

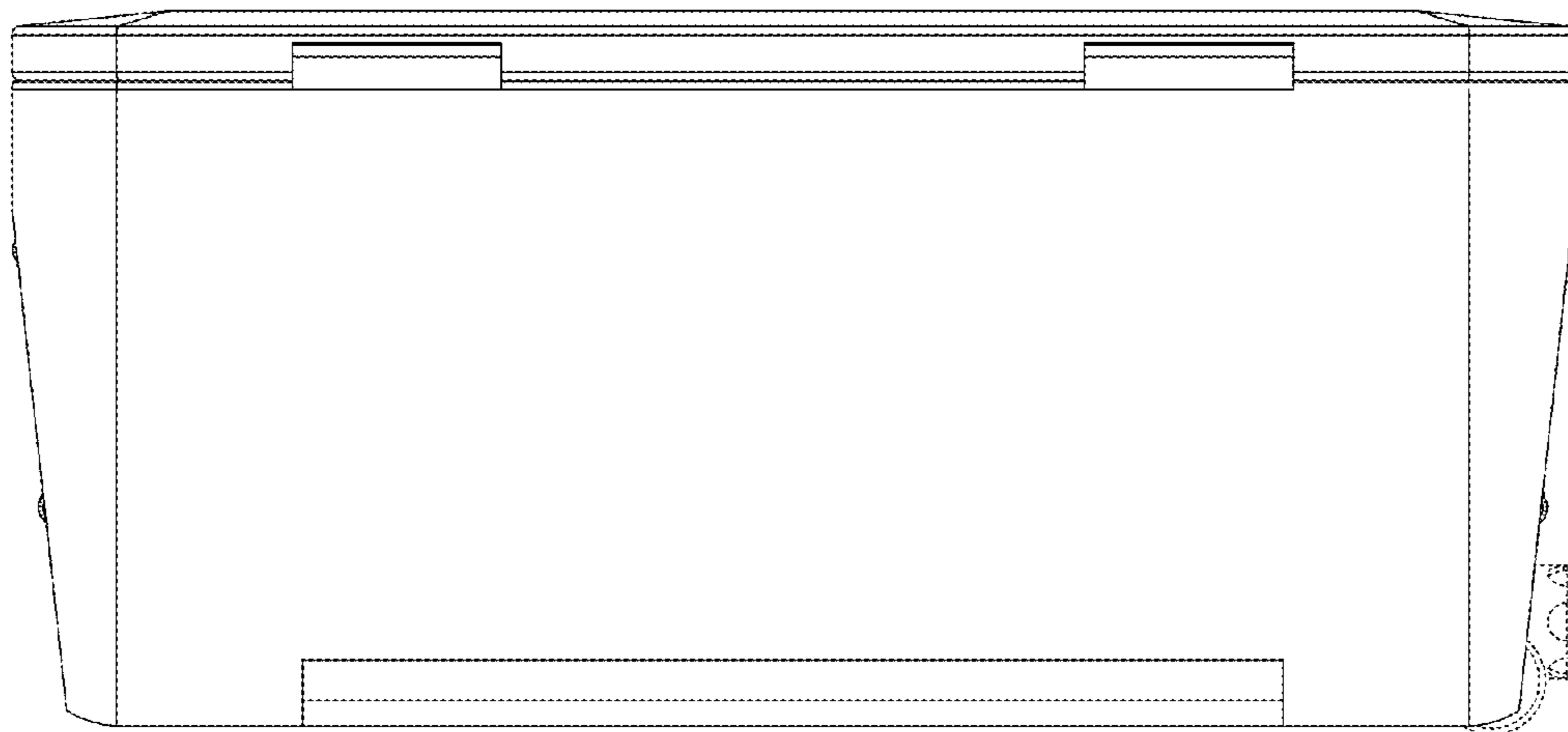


FIG. 4

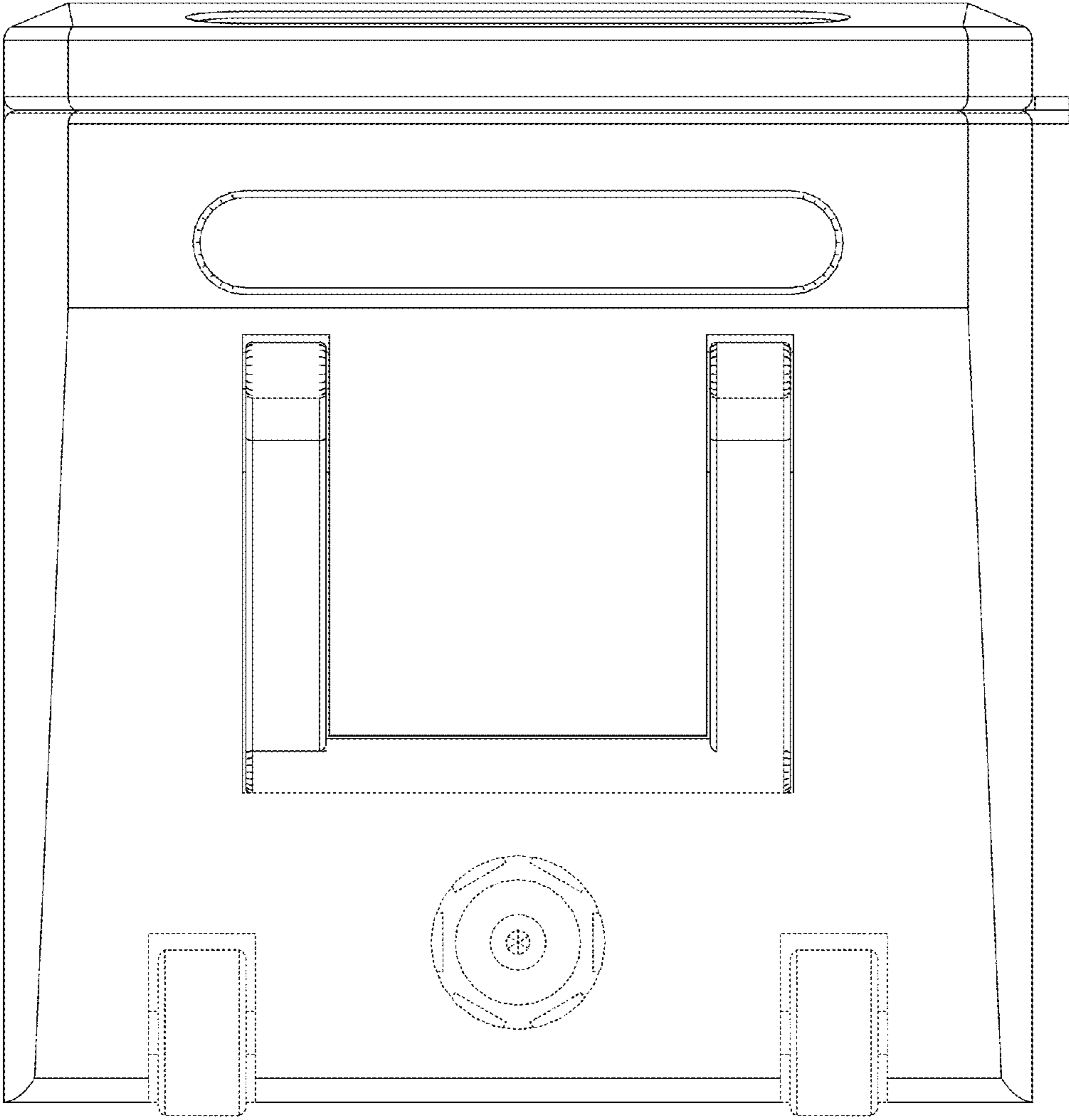


FIG. 5