



US00D750139S

(12) **United States Design Patent**  
**Khan et al.**

(10) **Patent No.:** **US D750,139 S**  
(45) **Date of Patent:** **\*\* Feb. 23, 2016**

(54) **WATER PUMP PRIMER BODY**

(71) Applicant: **Generac Power Systems, Inc.,**  
Waukesha, WI (US)

(72) Inventors: **Mir Khan**, Kenosha, WI (US);  
**Alexander Kobryn**, Deerfield, WI (US);  
**Whitney Montondo**, Waukesha, WI  
(US); **Nic Saeger**, Pewaukee, WI (US)

(73) Assignee: **Generac Power Systems, Inc.,**  
Waukesha, WI (US)

(\*\*) Term: **14 Years**

(21) Appl. No.: **29/508,574**

(22) Filed: **Nov. 7, 2014**

(51) **LOC (10) Cl.** ..... **15-02**

(52) **U.S. Cl.**  
USPC ..... **D15/7**

(58) **Field of Classification Search**  
USPC ..... D15/7-9; D23/231, 232, 209;  
417/410.1, 359, 415-416, 234, 321,  
417/265, 405, 15; 210/122  
CPC ..... F15B 7/04; F04B 49/00; E04H 4/16  
See application file for complete search history.

(56) **References Cited**

U.S. PATENT DOCUMENTS

3,091,184 A 5/1963 Wood  
3,252,576 A \* 5/1966 Miller ..... E04H 4/1209  
137/101.27

(Continued)

*Primary Examiner* — Ralf Seifert

(74) *Attorney, Agent, or Firm* — Boyle Fredrickson, S.C.

(57) **CLAIM**

The ornamental design of a water pump primer body, substantially as shown and described.

**DESCRIPTION**

FIG. 1 is a perspective view of a water pump primer body showing the first embodiment of our new design;

FIG. 2 is a front elevation view of the water pump primer body shown in FIG. 1;

FIG. 3 is a rear elevation view of the water pump primer body shown in FIG. 1;

FIG. 4 is a right side elevation view of the water pump primer body shown in FIG. 1;

FIG. 5 is a left side elevation view of the water pump primer body shown in FIG. 1;

FIG. 6 is a top plan view of the water pump primer body shown in FIG. 1;

FIG. 7 is a bottom plan view of the water pump primer body shown in FIG. 1;

FIG. 8 is a perspective view of a water pump primer body showing the second embodiment of our new design;

FIG. 9 is a front elevation view of the water pump primer body shown in FIG. 8;

FIG. 10 is a rear elevation view of the water pump primer body shown in FIG. 8;

FIG. 11 is a right side elevation view of the water pump primer body shown in FIG. 8;

FIG. 12 is a left side elevation view of the water pump primer body shown in FIG. 8;

FIG. 13 is a top plan view of the water pump primer body shown in FIG. 8;

FIG. 14 is a bottom plan view of the water pump primer body shown in FIG. 8;

FIG. 15 is a perspective view of a water pump primer body showing the third embodiment of our new design;

FIG. 16 is a front elevation view of the water pump primer body shown in FIG. 15;

FIG. 17 is a rear elevation view of the water pump primer body shown in FIG. 15;

FIG. 18 is a right side elevation view of the water pump primer body shown in FIG. 15;

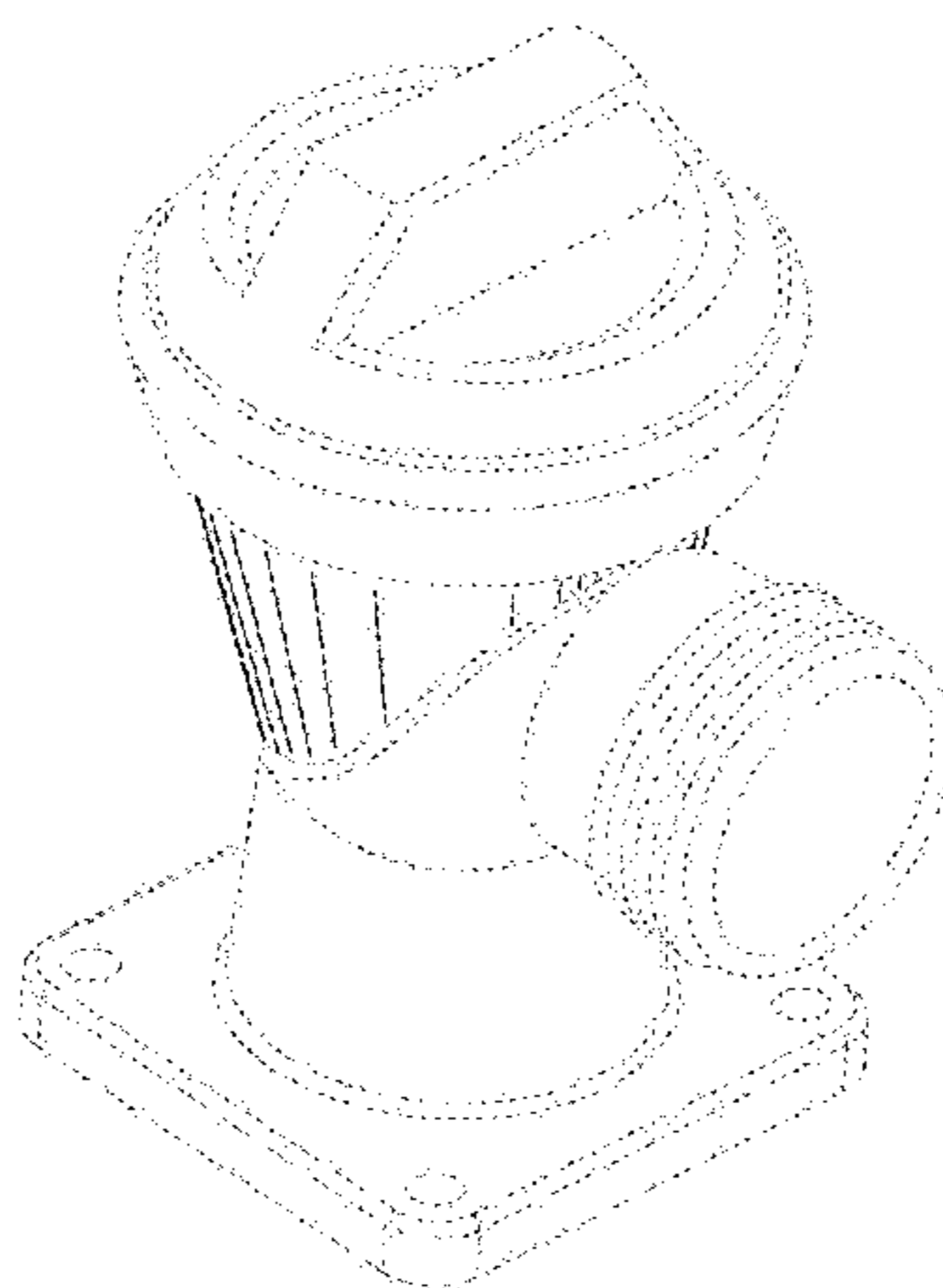
FIG. 19 is a left side elevation view of the water pump primer body shown in FIG. 15;

FIG. 20 is a top plan view of the water pump primer body shown in FIG. 15; and,

FIG. 21 is a bottom plan view of the water pump primer body shown in FIG. 15.

The broken lines are for illustrative purposes and represent unclaimed portions of the invention and therefore form no part of the claimed design.

**1 Claim, 12 Drawing Sheets**



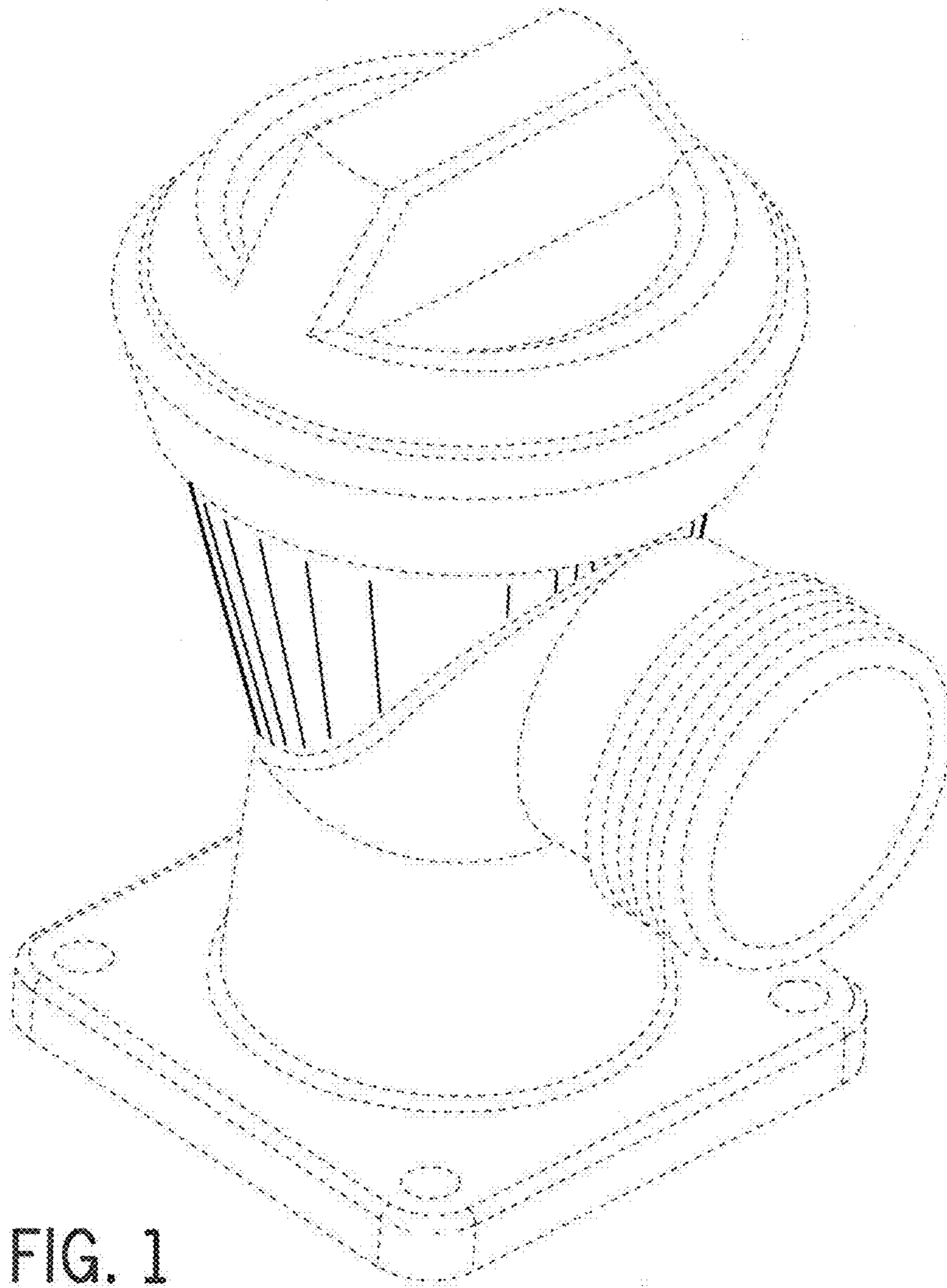
(56)

**References Cited**

U.S. PATENT DOCUMENTS

3,620,372	A *	11/1971	Ehret	.....	E04H 4/1272	210/167.1					
3,910,840	A *	10/1975	Adam	.....	E04H 4/1272	137/549					
4,348,281	A *	9/1982	Perry	.....	E04H 4/1272	210/119					
4,678,001	A	7/1987	Lacey								
4,725,352	A *	2/1988	Haliotis	.....	E04H 4/1272	137/625.3					
4,737,279	A *	4/1988	Lewis	.....	E04H 4/1272	134/167 R					
5,154,821	A	10/1992	Reid								
5,860,793	A	1/1999	Muscarella et al.								
6,187,181	B1 *	2/2001	Stoltz	.....	E04H 4/1263	15/1.7					
6,536,467	B2	3/2003	Wu et al.								
6,716,342	B1 *	4/2004	Tilsner	.....	E04H 4/1272	210/167.12					
D505,681	S *	5/2005	Rossmann	.....	D15/7						
D604,800	S *	11/2009	Vreeland	.....	D23/209						
D620,999	S *	8/2010	Vreeland	.....	D23/209						
D623,201	S *	9/2010	Yu	.....	D15/7						
7,815,795	B2 *	10/2010	Parks	.....	E04H 4/1272	210/167.1					
8,091,934	B2	1/2012	Bair								
D694,851	S *	12/2013	Solakian	.....	D23/209						
D694,852	S *	12/2013	Gordon	.....	D23/209						
8,814,531	B2	8/2014	Raasch								
2009/0016901	A1	1/2009	Morris								

\* cited by examiner



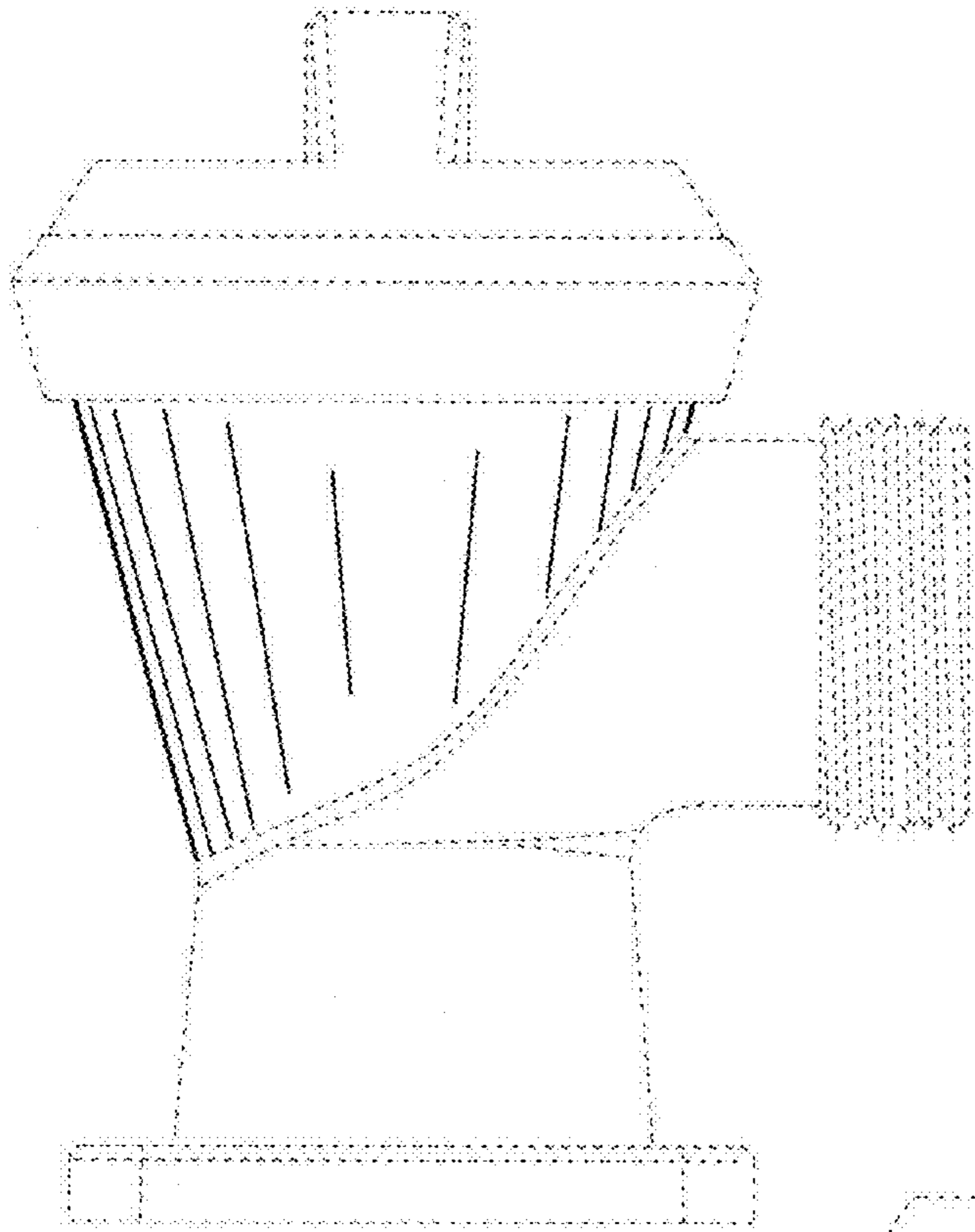


FIG. 2

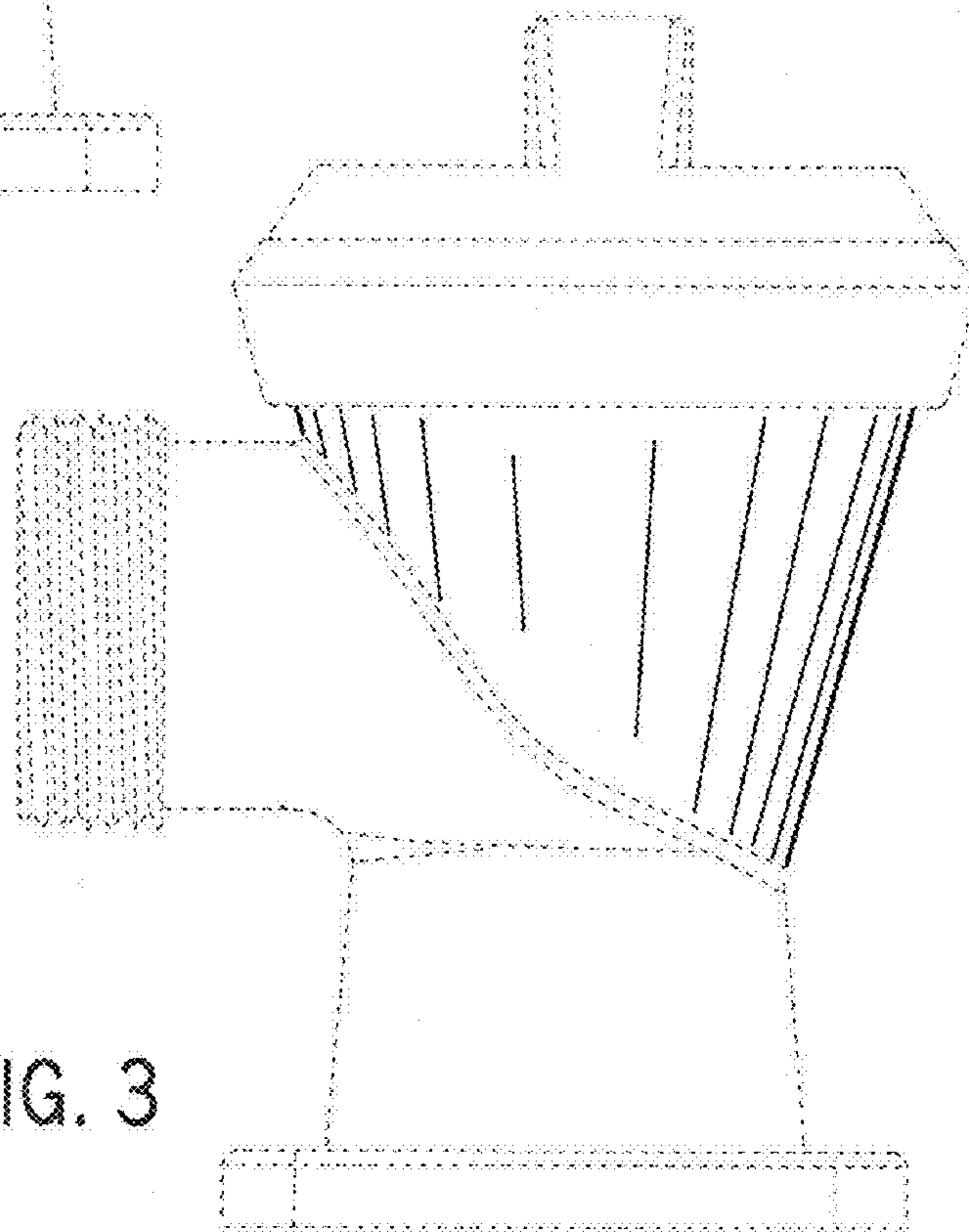


FIG. 3

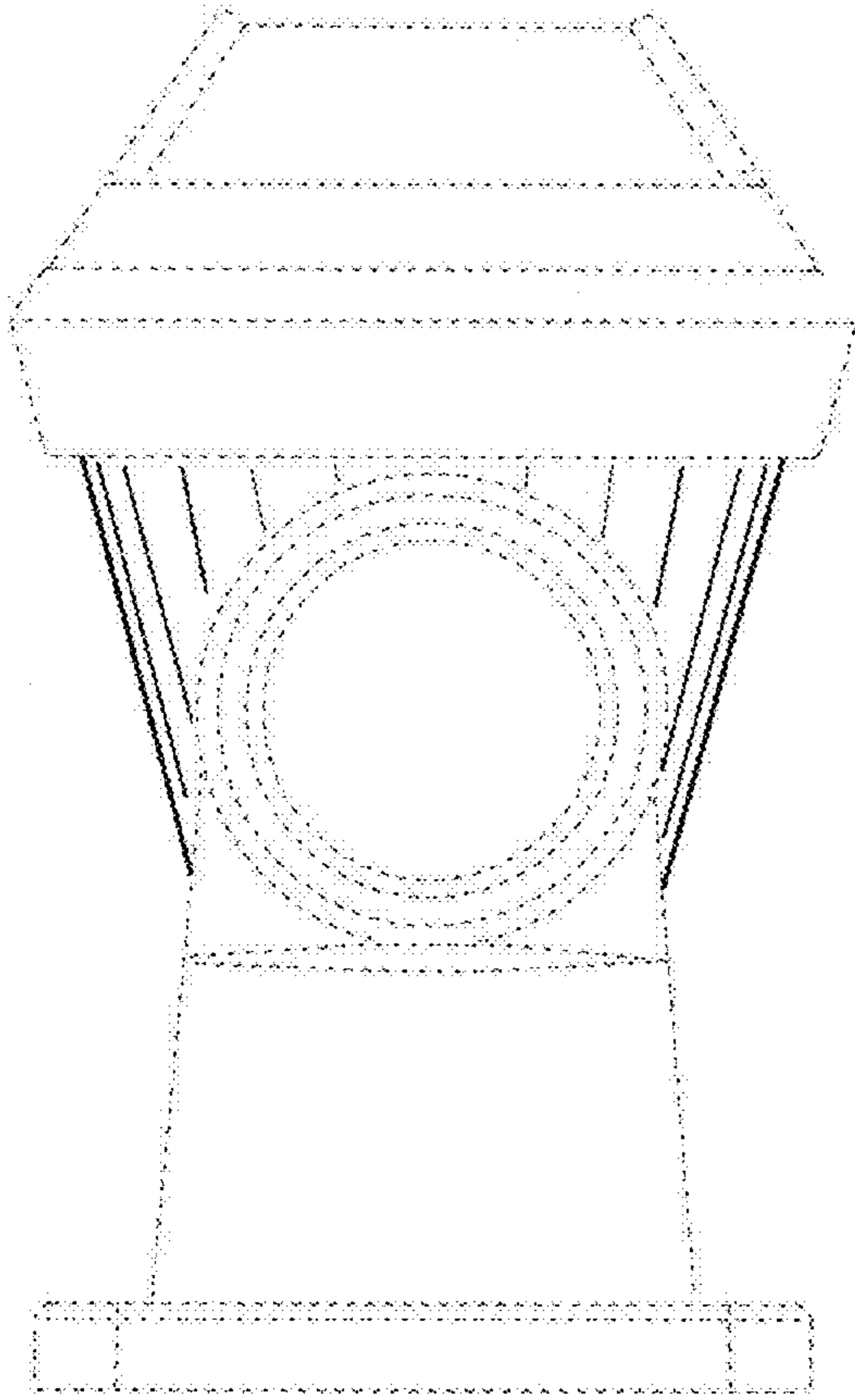


FIG. 4

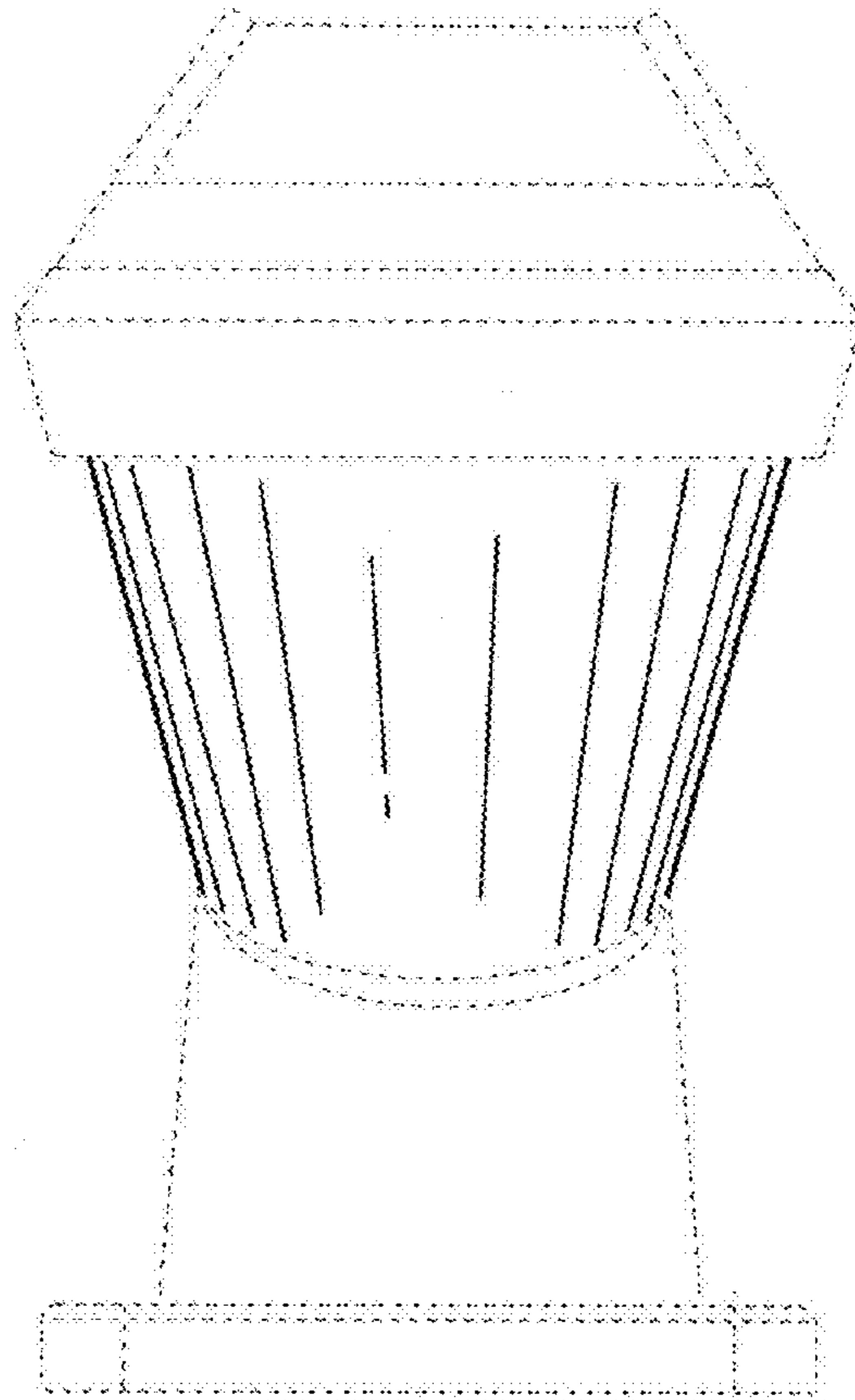


FIG. 5

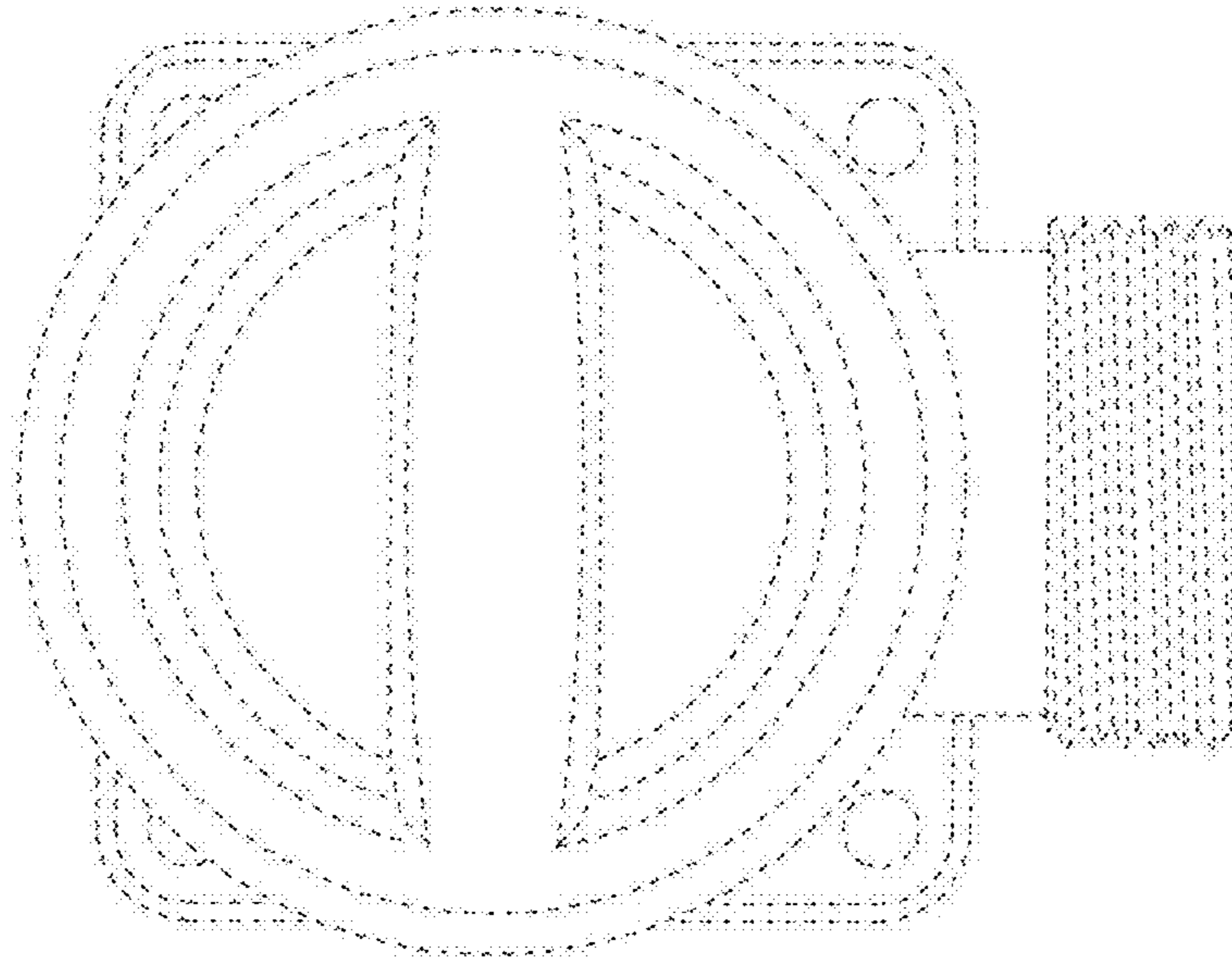


FIG. 6

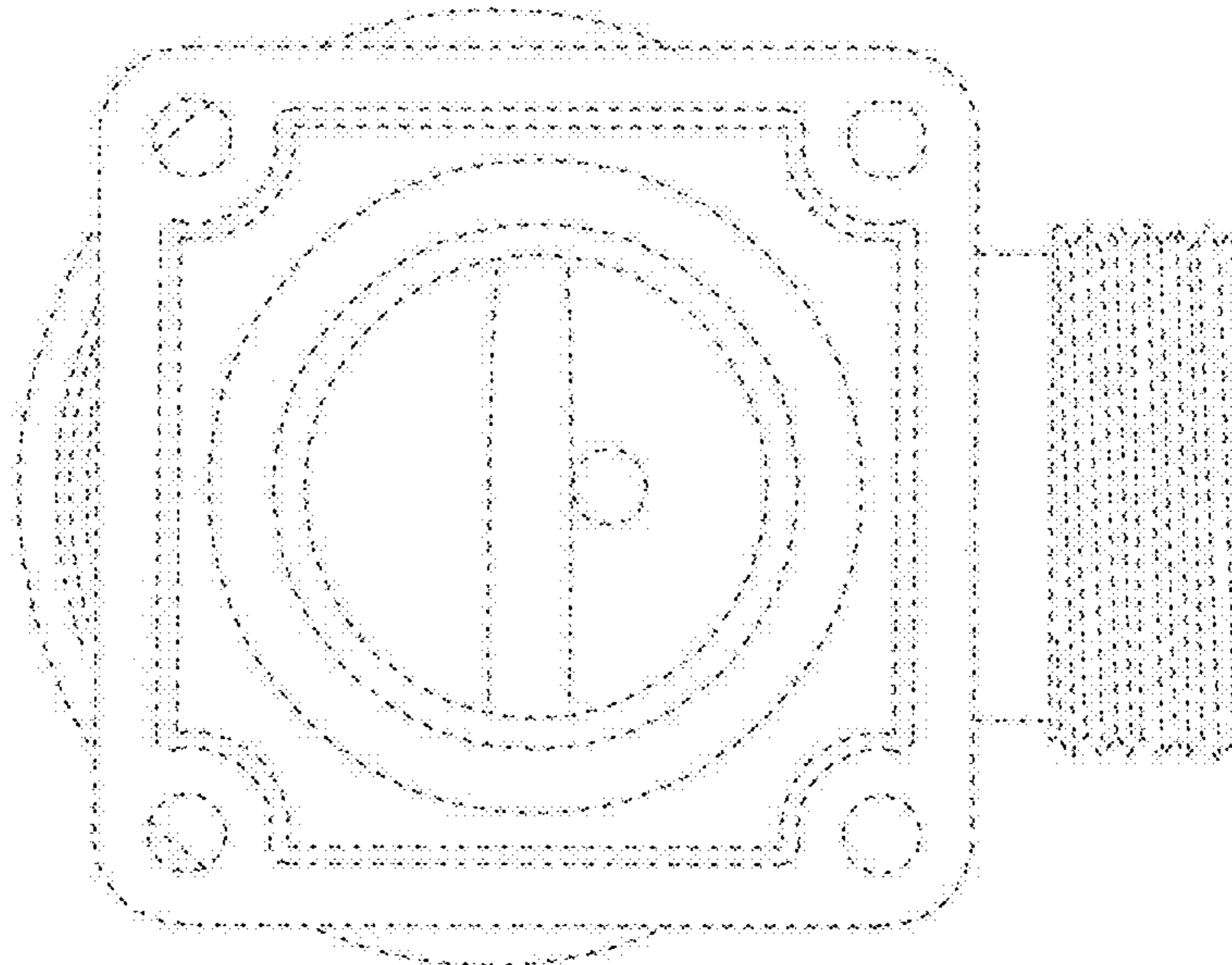


FIG. 7

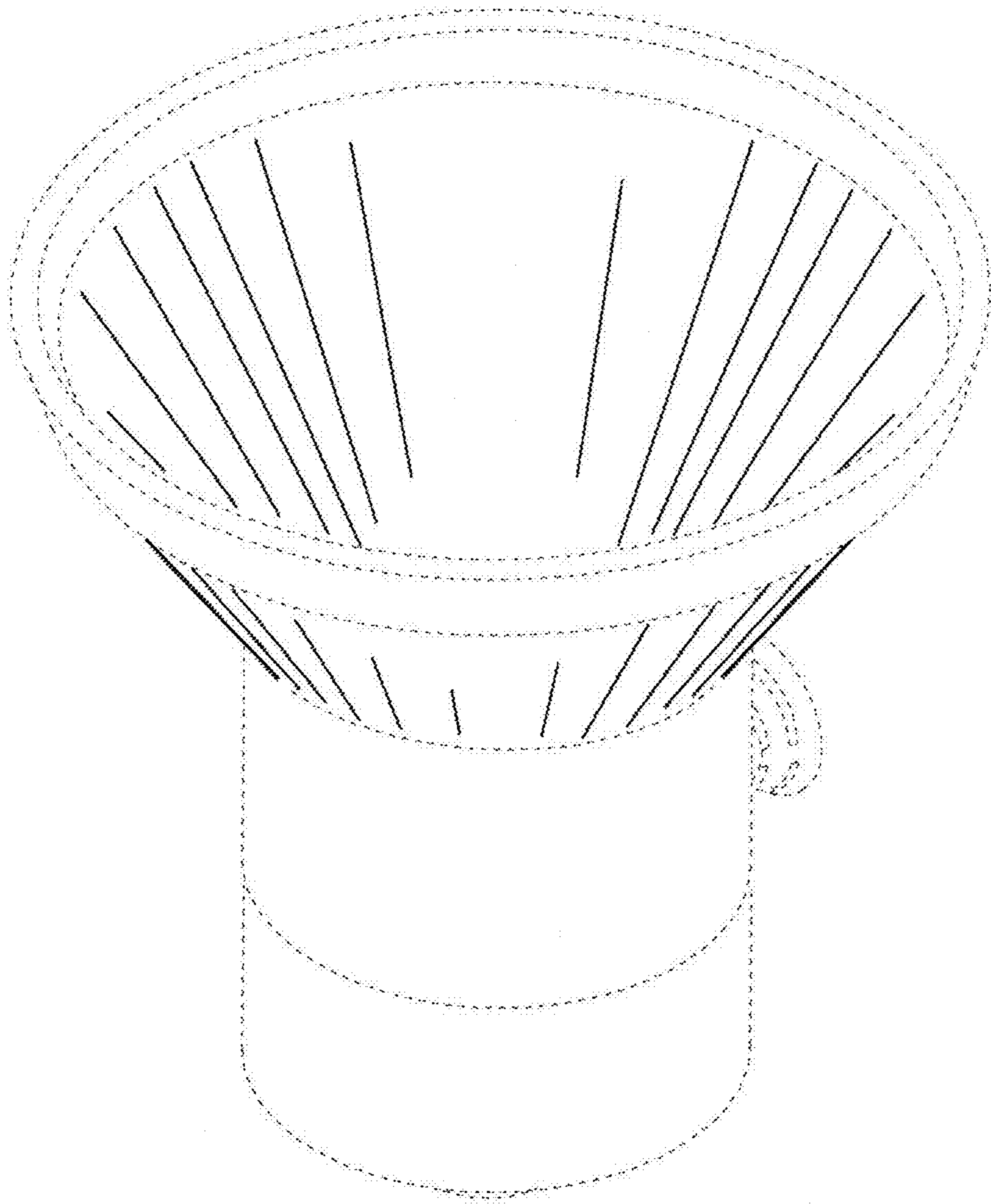
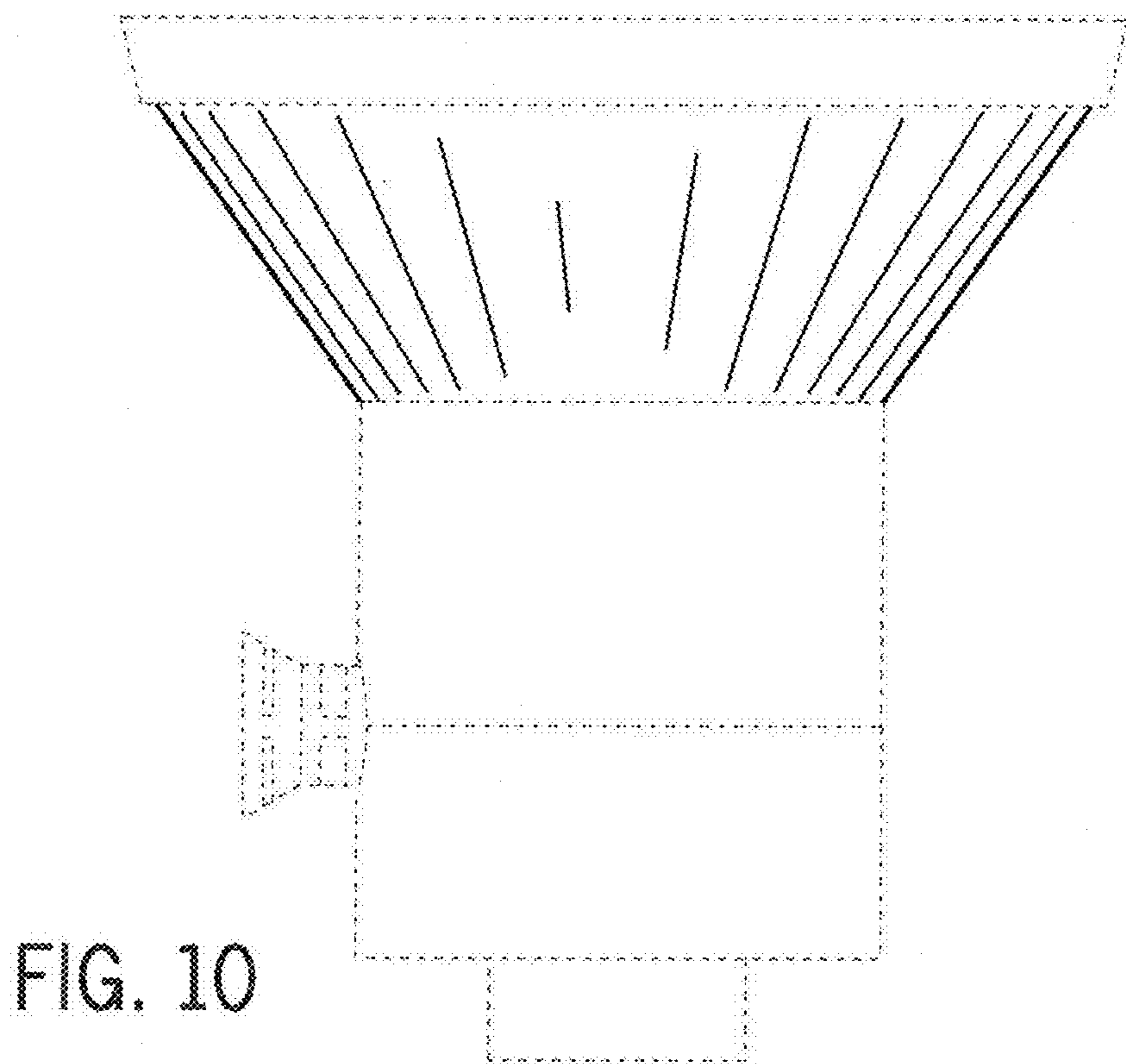
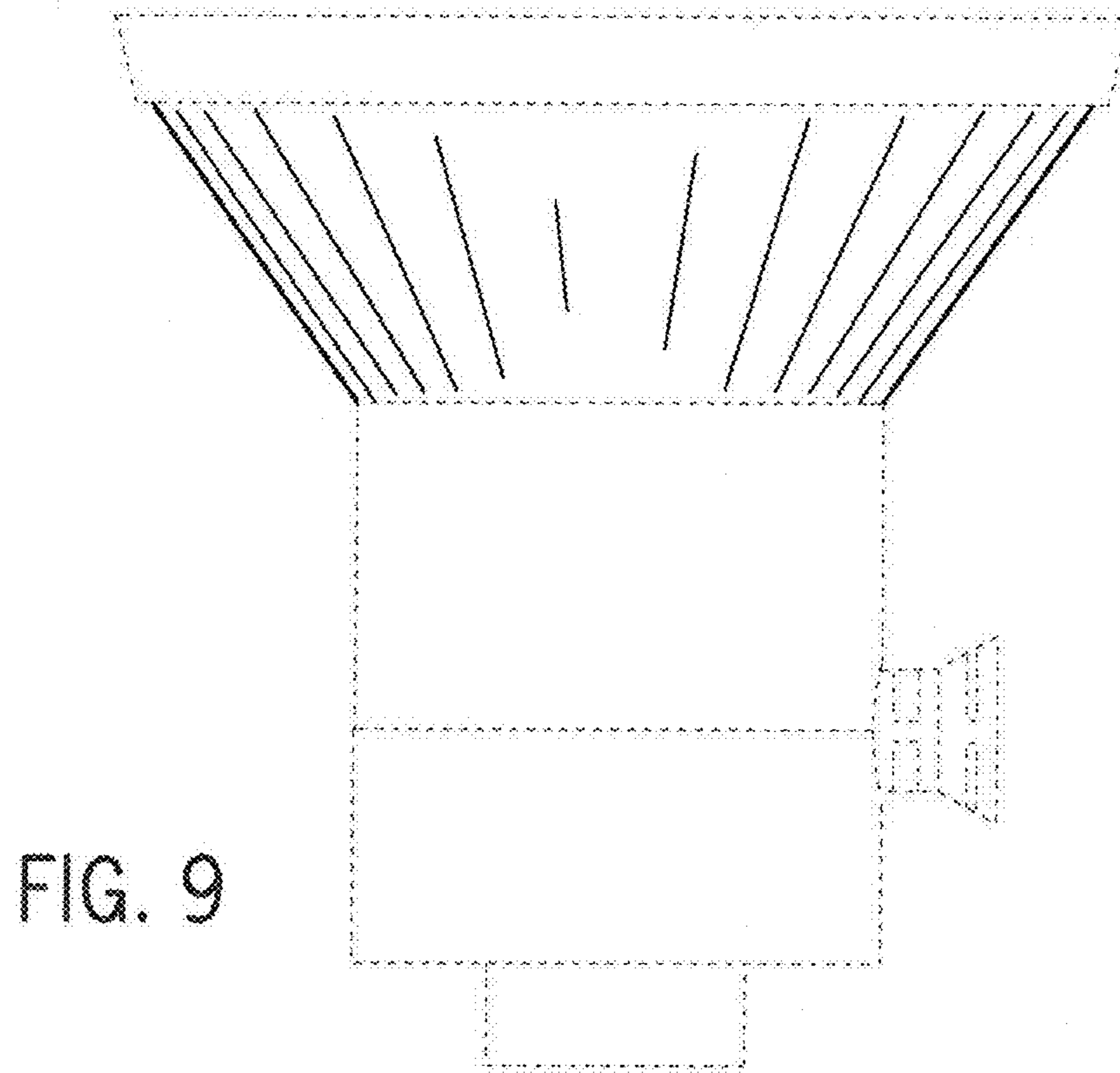


FIG. 8





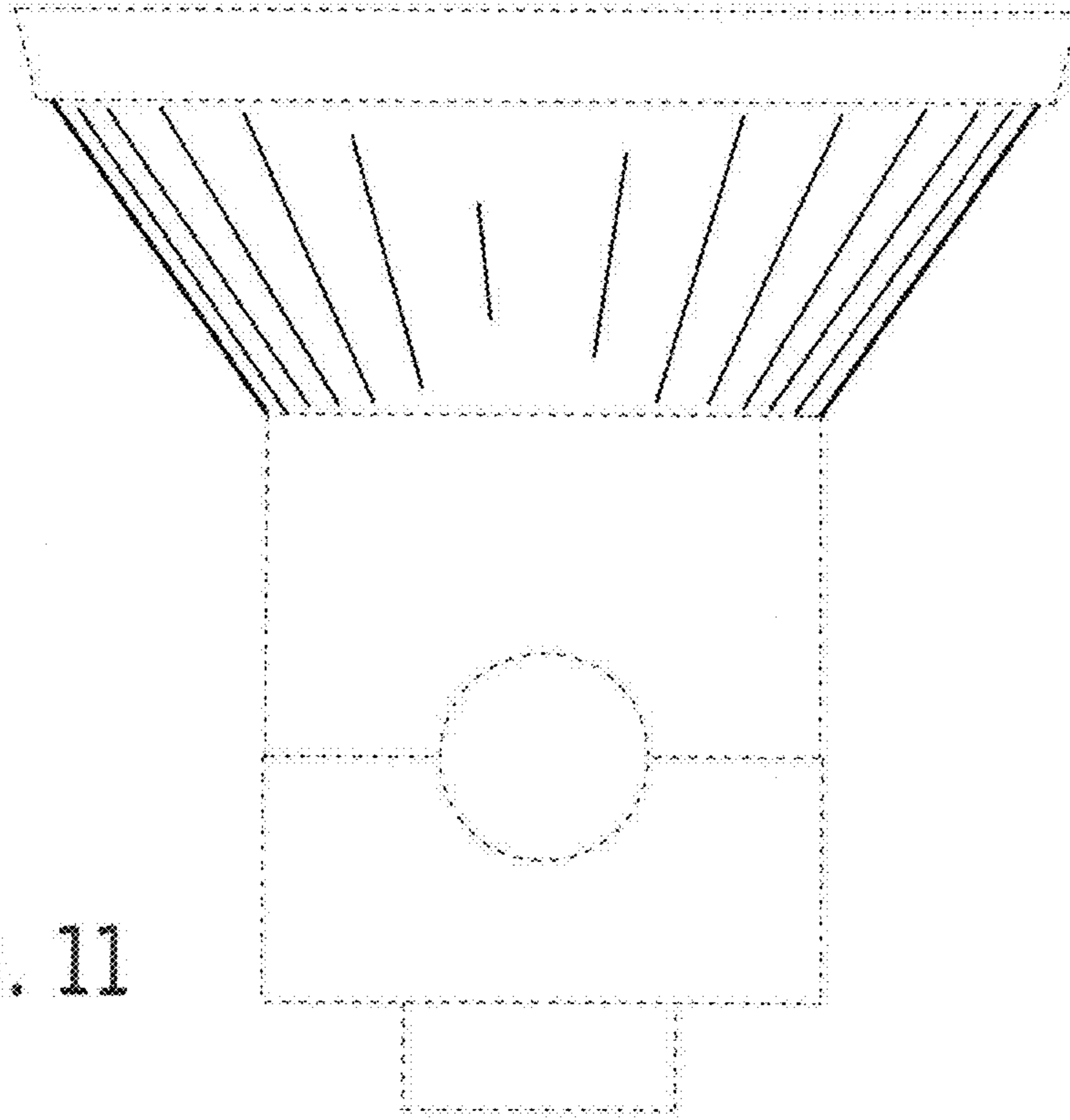


FIG. 11

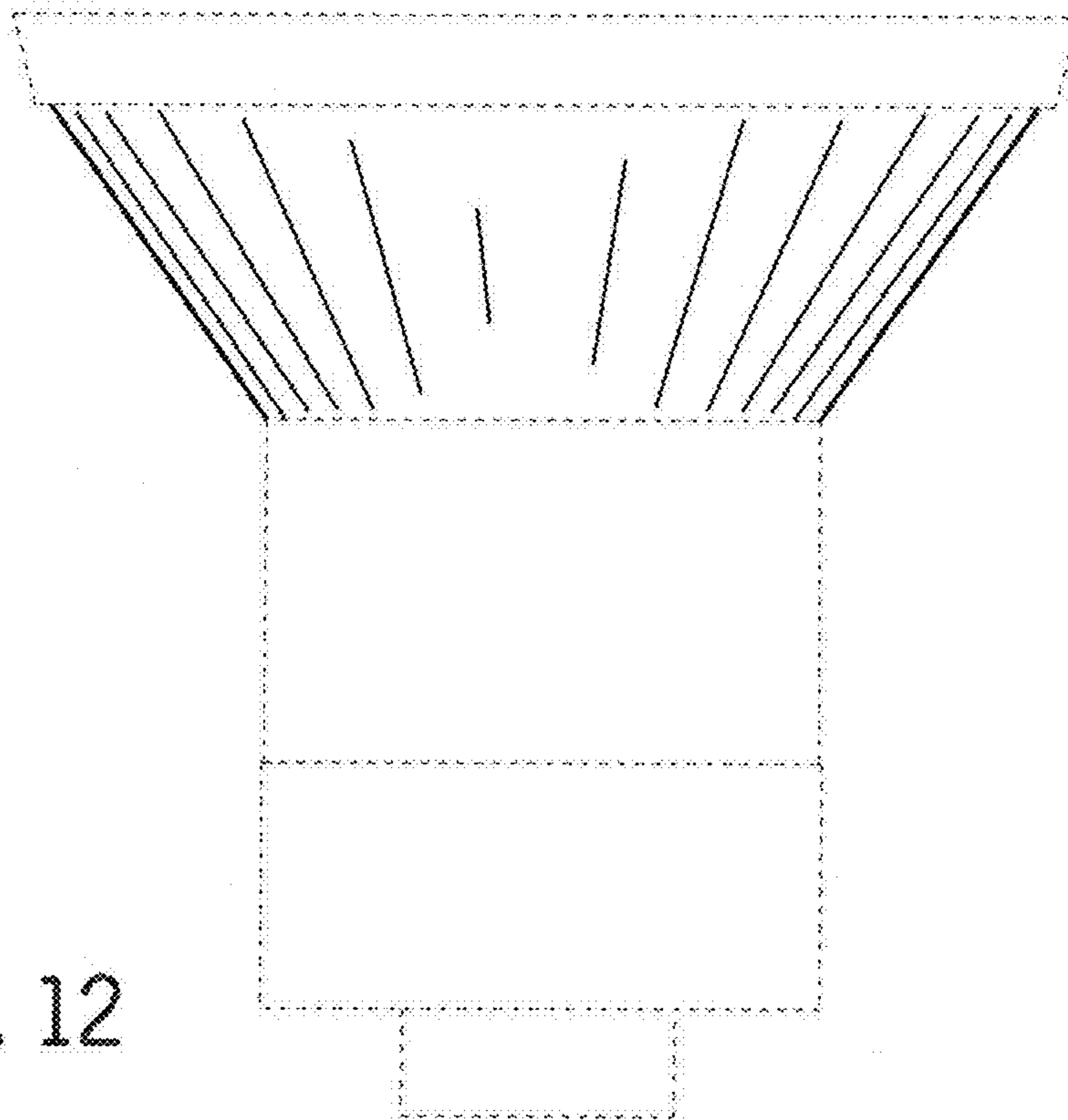


FIG. 12

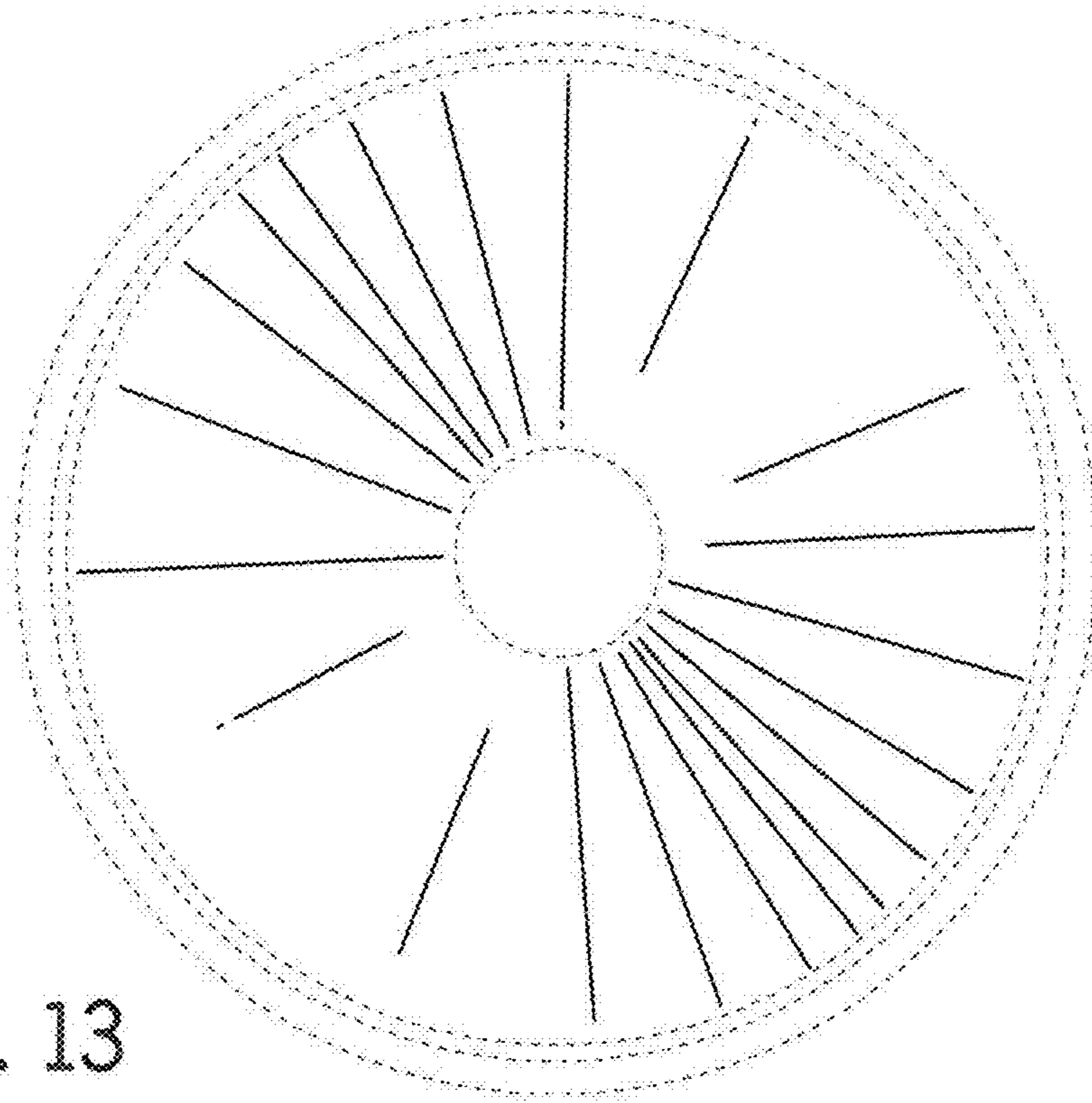


FIG. 13

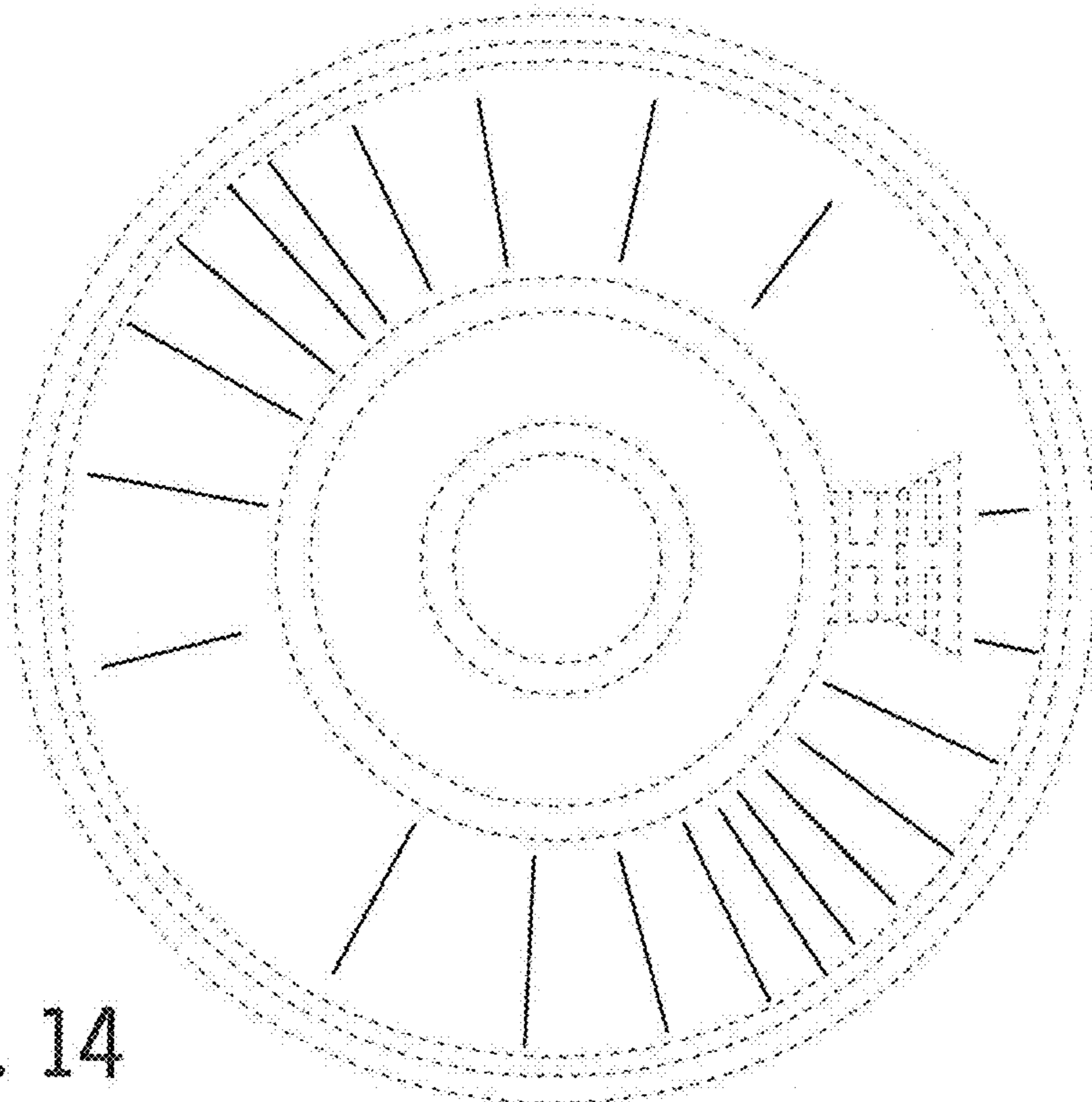


FIG. 14

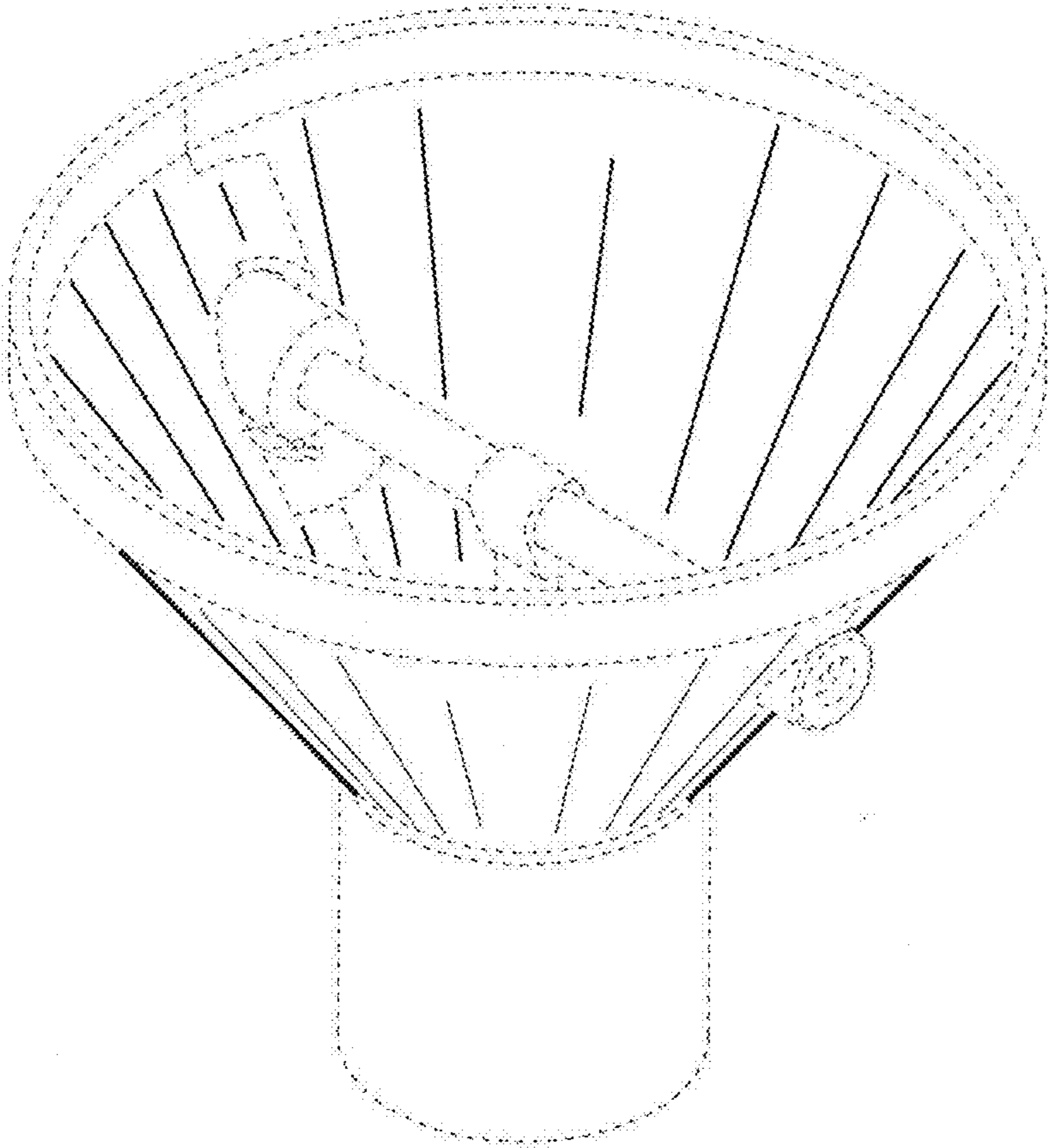


FIG. 15

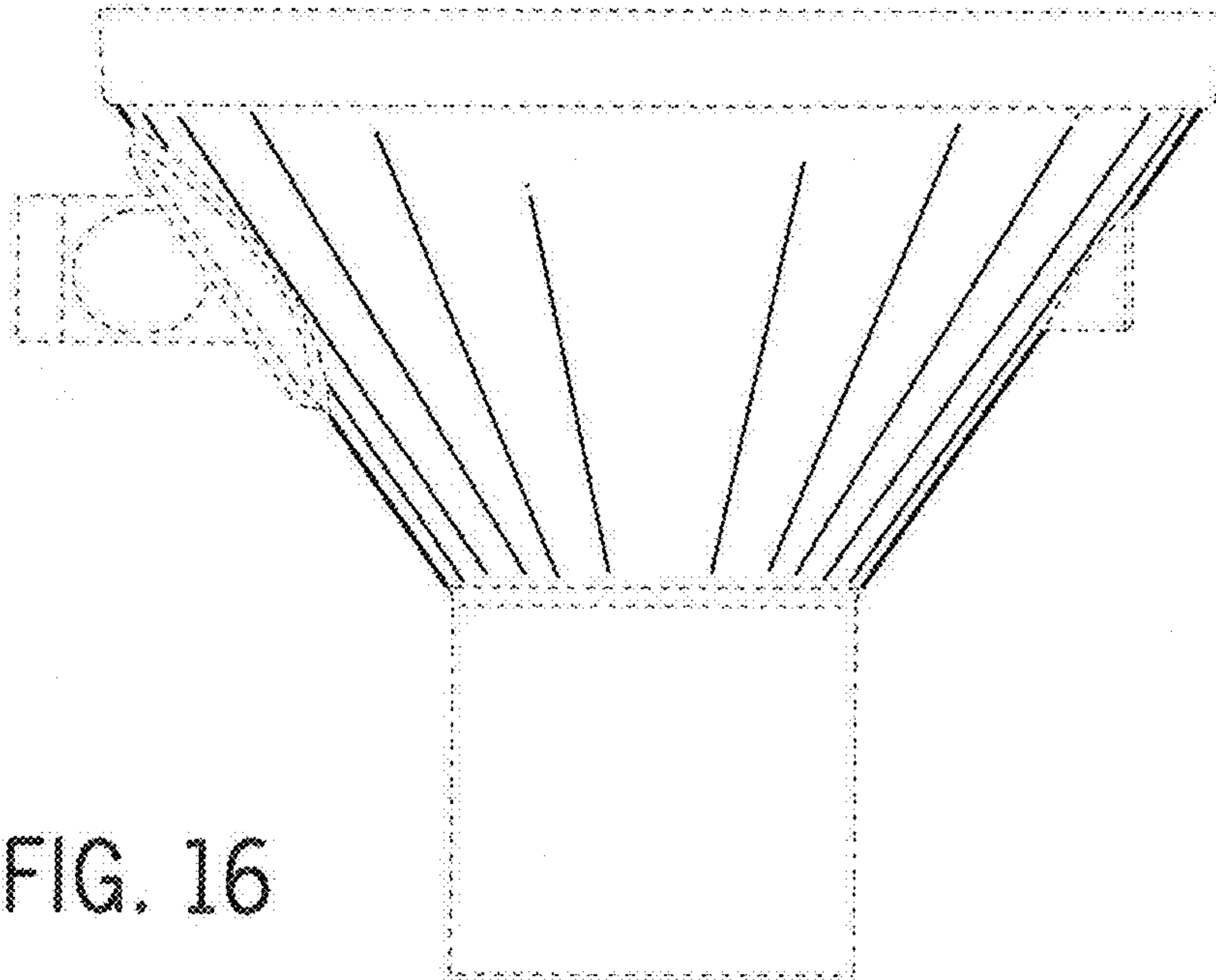


FIG. 16

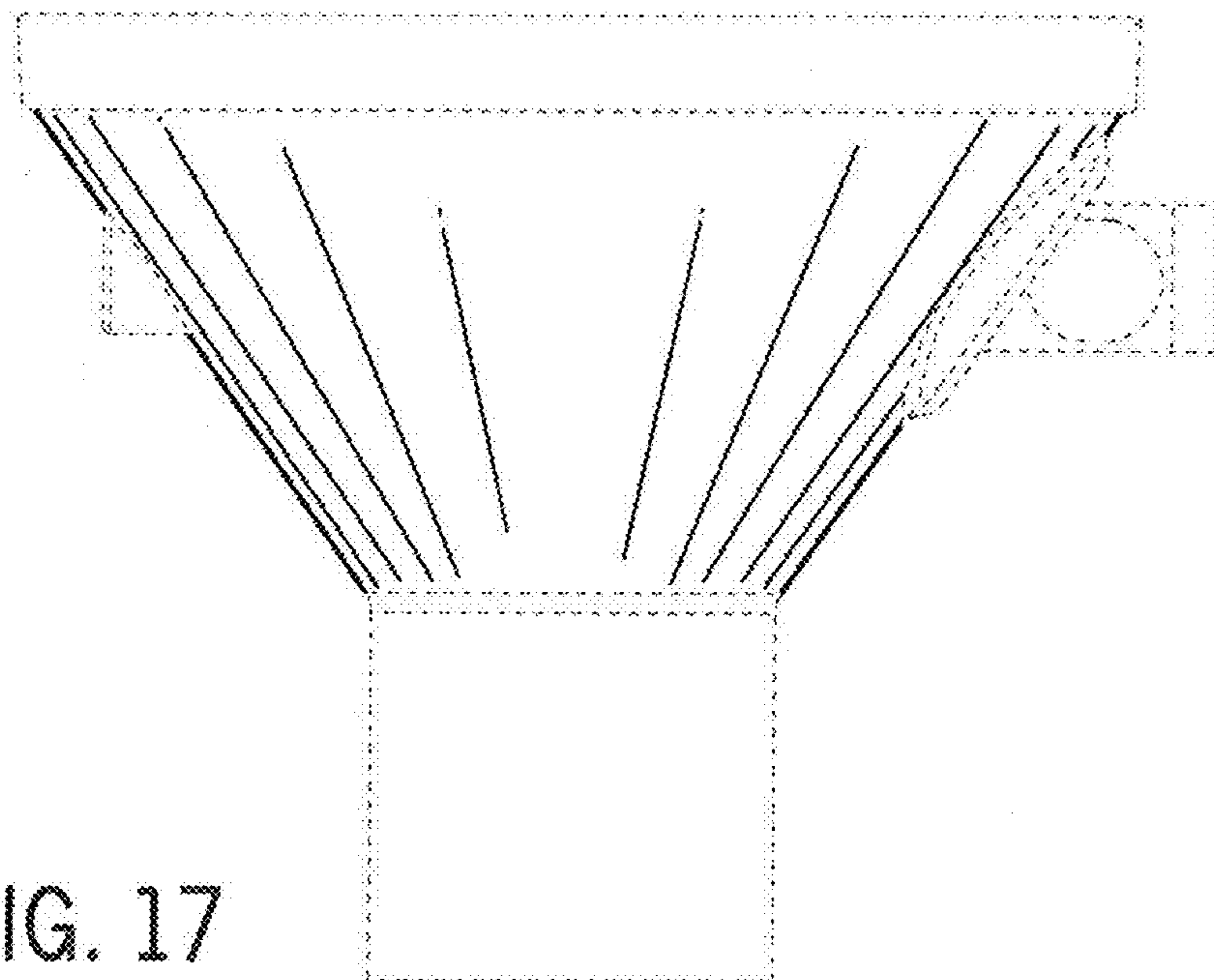


FIG. 17

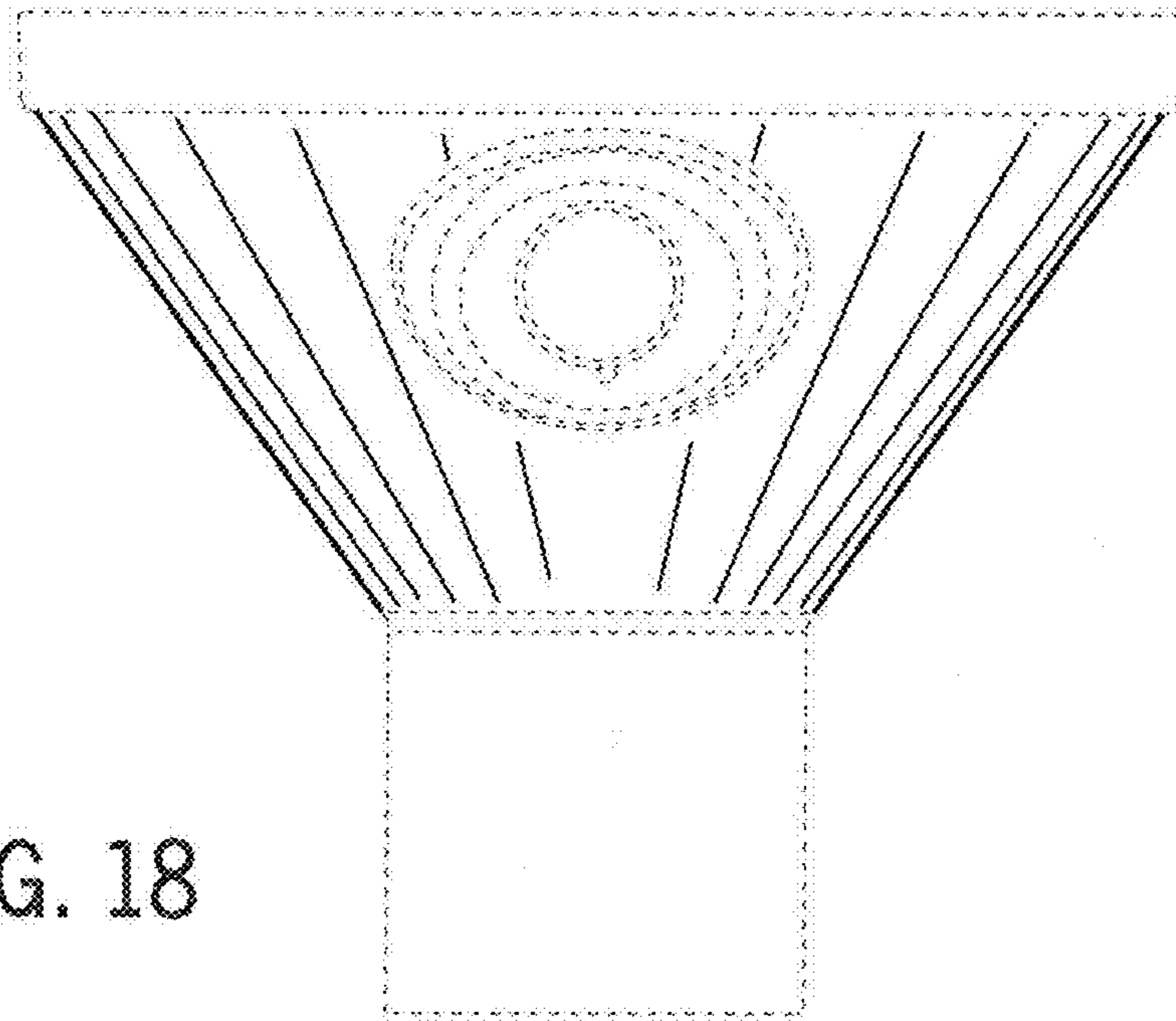


FIG. 18

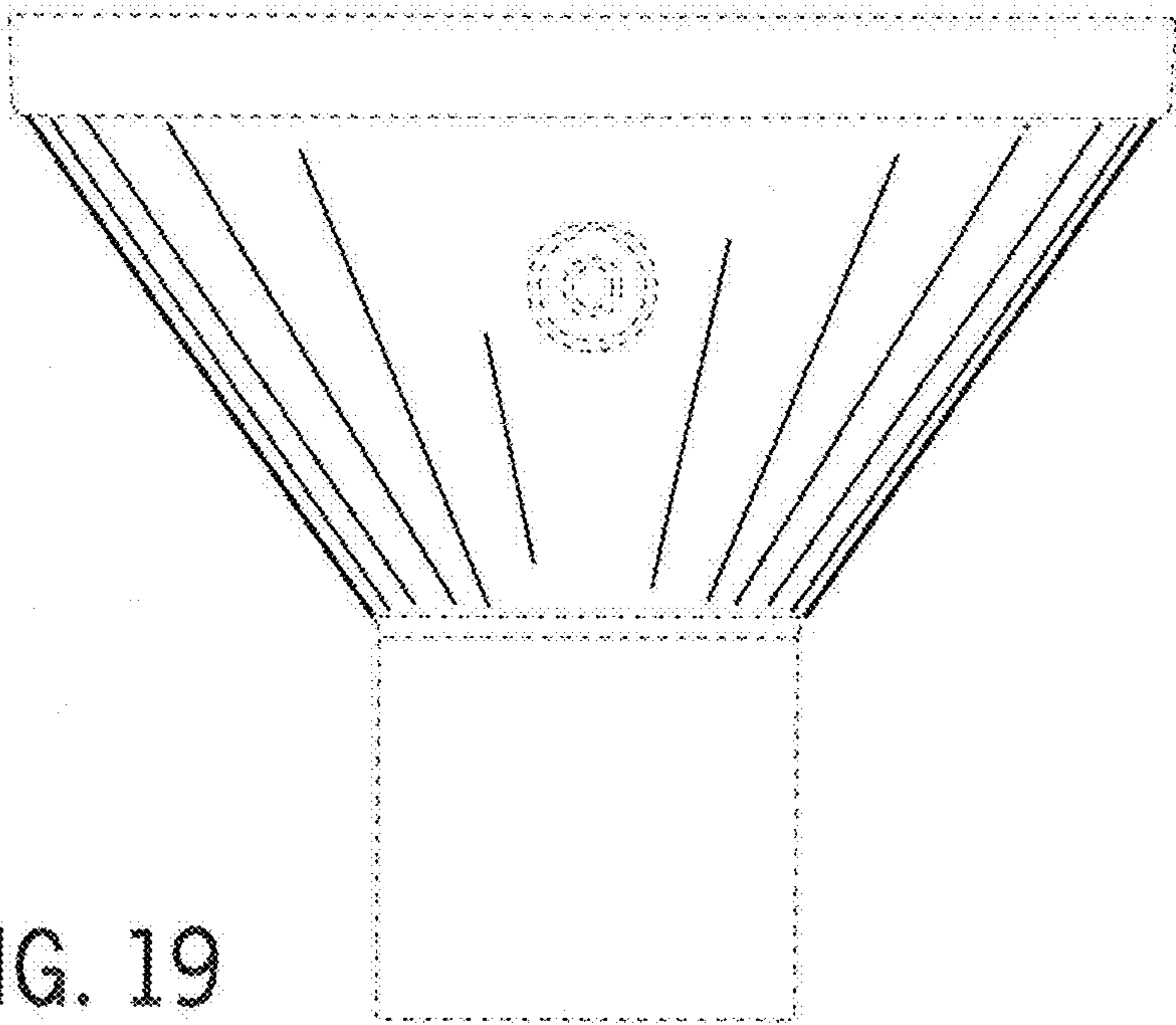


FIG. 19

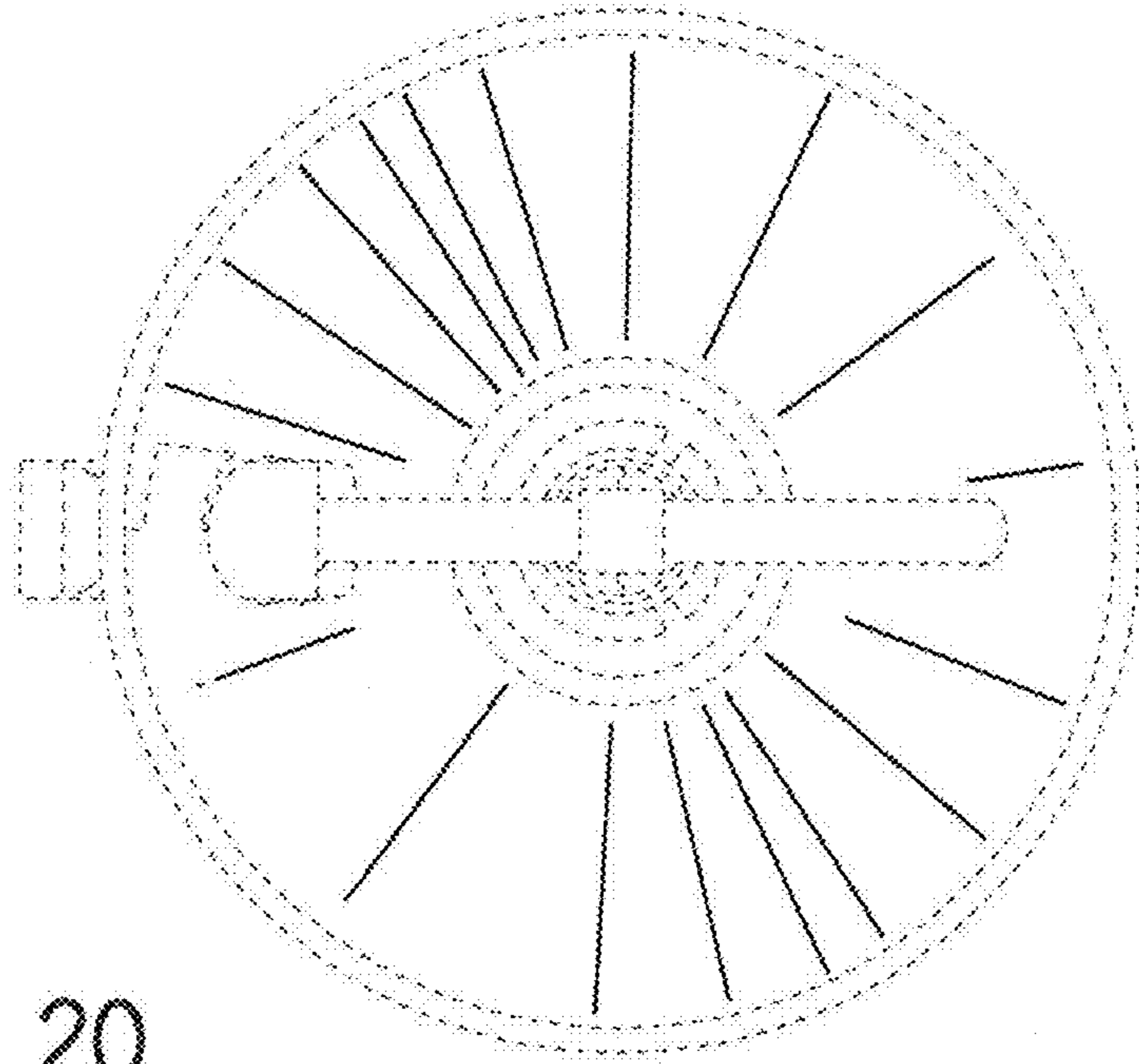


FIG. 20

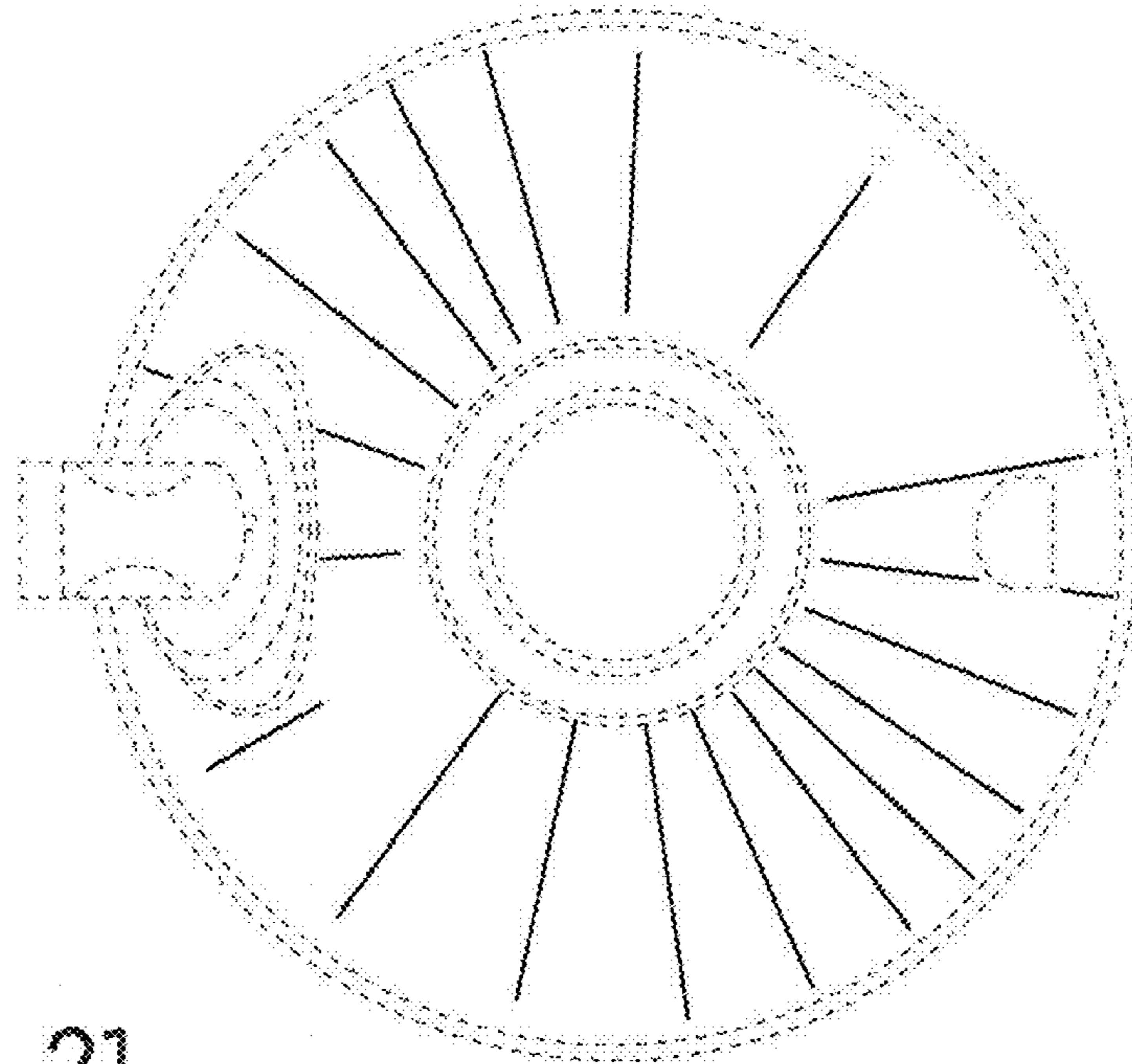


FIG. 21