

US00D750138S

(12) **United States Design Patent**
Williams et al.

(10) **Patent No.:** **US D750,138 S**
(45) **Date of Patent:** **** Feb. 23, 2016**

- (54) **COMPOSITE DIFFERENTIAL PISTON**
- (71) Applicant: **Eaton Corporation**, Cleveland, OH (US)
- (72) Inventors: **Kelly A. Williams**, South Lyon, MI (US); **Javed A. Mapkar**, Farmington Hills, MI (US); **Gregory L. Heatwole**, Marshall, MI (US); **Daniel S. Frazier**, Kalamazoo, MI (US)
- (73) Assignee: **Eaton Corporation**, Cleveland, OH (US)
- (**) Term: **15 Years**
- (21) Appl. No.: **29/530,647**
- (22) Filed: **Jun. 18, 2015**

6,918,851	B2	7/2005	Ziech et al.	
7,290,562	B2	11/2007	Kane	
7,318,509	B2 *	1/2008	Barlage	F04D 15/005 192/103 F
7,341,136	B2 *	3/2008	Park	F16D 43/284 192/103 F
7,749,124	B2 *	7/2010	Nakajima	F16H 48/05 475/221
8,459,137	B1 *	6/2013	McCoy	F16H 61/437 74/473.1
8,763,777	B2 *	7/2014	Burns	F16D 48/02 492/85.02
9,121,464	B2 *	9/2015	Nichols	F16H 15/28
2005/0261101	A1 *	11/2005	Yoshioka	B60K 17/16 475/231
2007/0045078	A1 *	3/2007	Park	F16D 43/284 192/85.02
2007/0289442	A1	12/2007	Waller et al.	

(Continued)

FOREIGN PATENT DOCUMENTS

JP	5256364	10/1993
JP	5272639	10/1993

(Continued)

Primary Examiner — T. Chase Nelson
Assistant Examiner — Ania Aman
 (74) *Attorney, Agent, or Firm* — Dierker & Associates, P.C.

(57) **CLAIM**

The ornamental design for a composite differential piston, as shown and described.

DESCRIPTION

FIG. 1 is a front perspective view of a composite differential piston showing our new design;
 FIG. 2 is a partial cutaway, front perspective view of FIG. 1, taken along line 2-2 in FIG. 1;
 FIG. 3 is a rear perspective view of FIG. 1;
 FIG. 4 is a front elevation view of FIG. 1;
 FIG. 5 is a rear elevation view, rotated 180°, of FIG. 1; and,
 FIG. 6 is a right side elevation view of FIG. 1.
 The broken lines shown in the drawings are for the purpose of illustrating portions of the article and form no part of the claimed design.

1 Claim, 6 Drawing Sheets

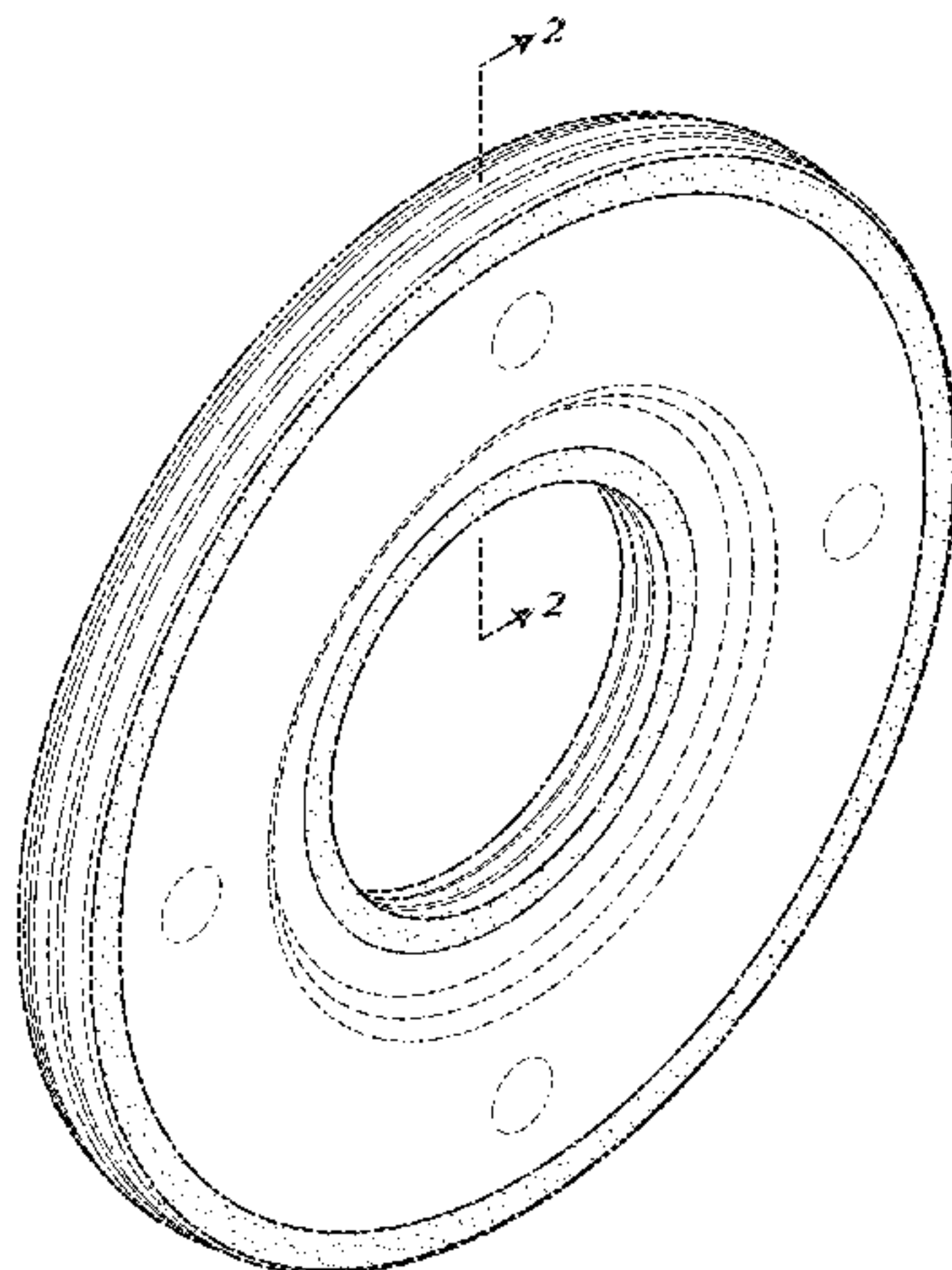
Related U.S. Application Data

- (62) Division of application No. 29/426,321, filed on Jul. 3, 2012, now Pat. No. Des. 736,260.
- (51) **LOC (10) Cl.** **15-01**
- (52) **U.S. Cl.**
USPC **D15/5**
- (58) **Field of Classification Search**
USPC D15/1-6, 148, 149, 199; 192/85.02, 192/103 F, 85, 88, 70, 11; D12/160, 159; 475/226, 150, 151, 152, 153, 154, 249, 475/248, 231; 180/305
See application file for complete search history.

References Cited

U.S. PATENT DOCUMENTS

4,214,507	A	7/1980	Hock et al.	
5,526,797	A *	6/1996	Stokes	F02D 15/04 123/525
6,059,680	A *	5/2000	Yoshioka	F16H 48/08 475/231
6,238,315	B1 *	5/2001	Morse	F16D 23/10 137/512.15
6,332,522	B1 *	12/2001	Morse	F16D 43/284 192/35



(56)

References Cited

2015/0111684 A1* 4/2015 Fox F16H 48/32
475/231

U.S. PATENT DOCUMENTS

FOREIGN PATENT DOCUMENTS

2008/0023918 A1 1/2008 Strasser et al.
2009/0193966 A1 8/2009 Phlegm et al.
2013/0239932 A1* 9/2013 Jessberger F02M 25/08
123/572
2014/0011619 A1* 1/2014 Pohl F02B 67/04
475/149

JP 2007239972 9/2007
WO WO 83/01284 4/1983
WO WO 2011/023747 3/2011

* cited by examiner

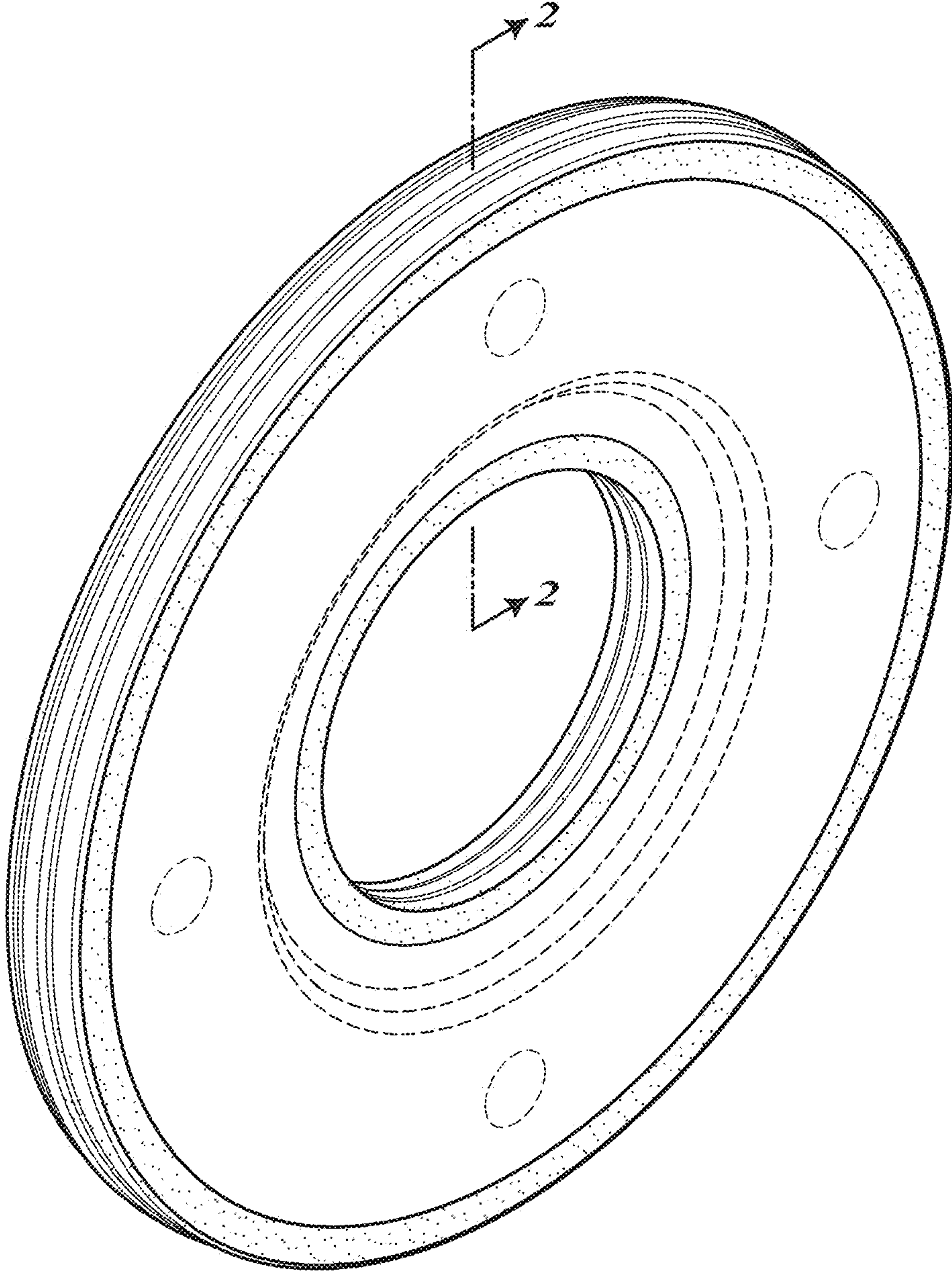


FIG. 1

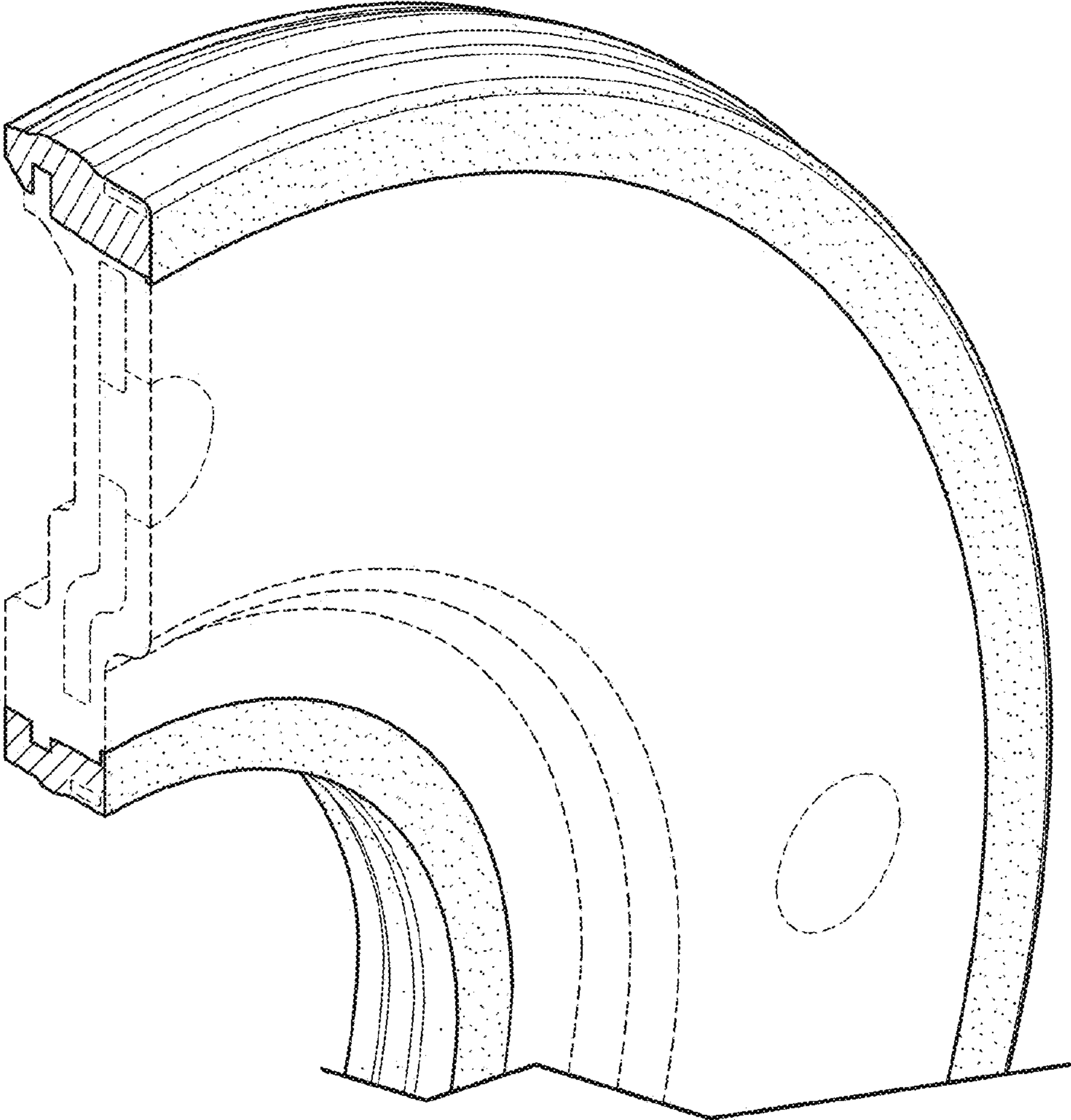


FIG. 2

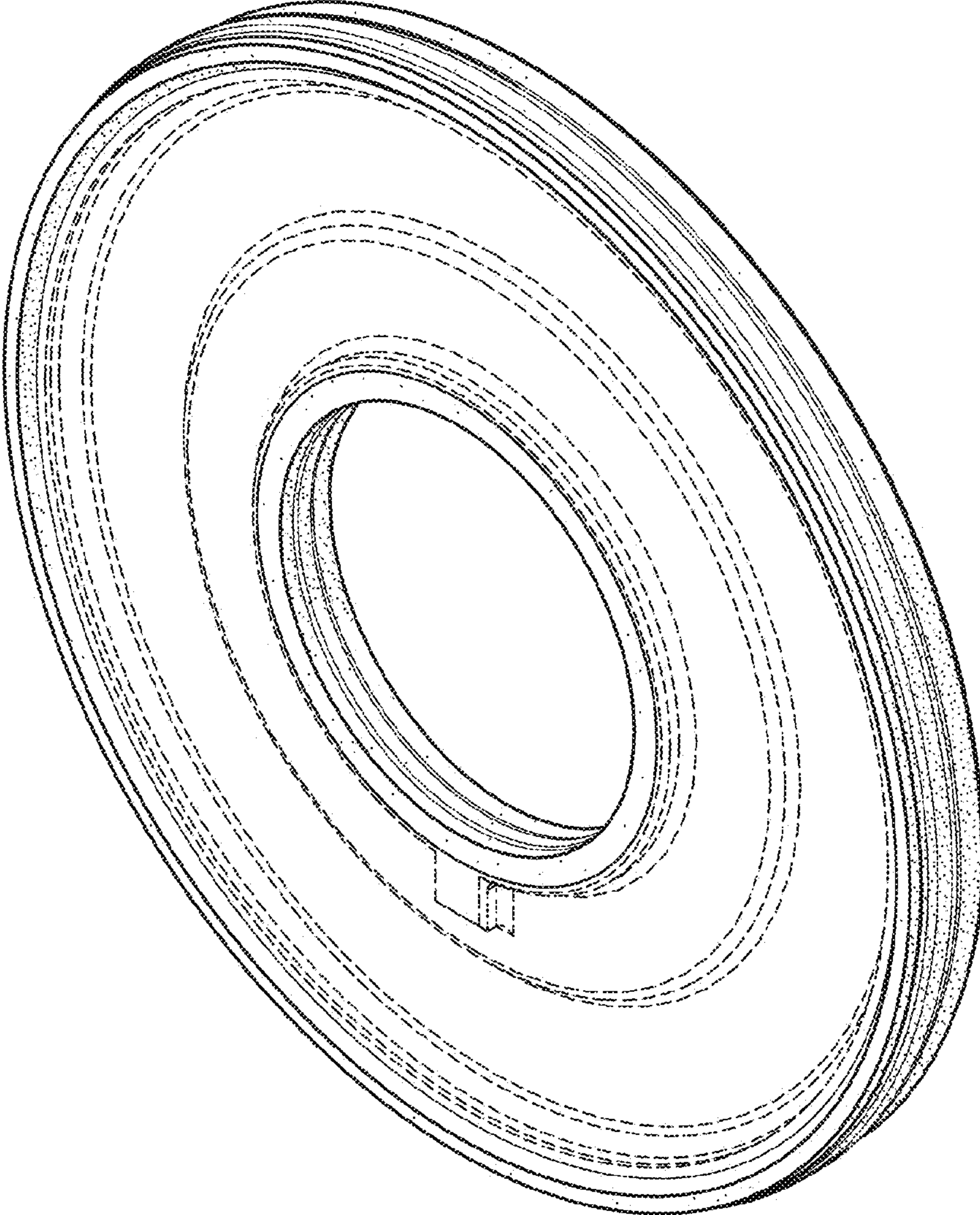


FIG. 3

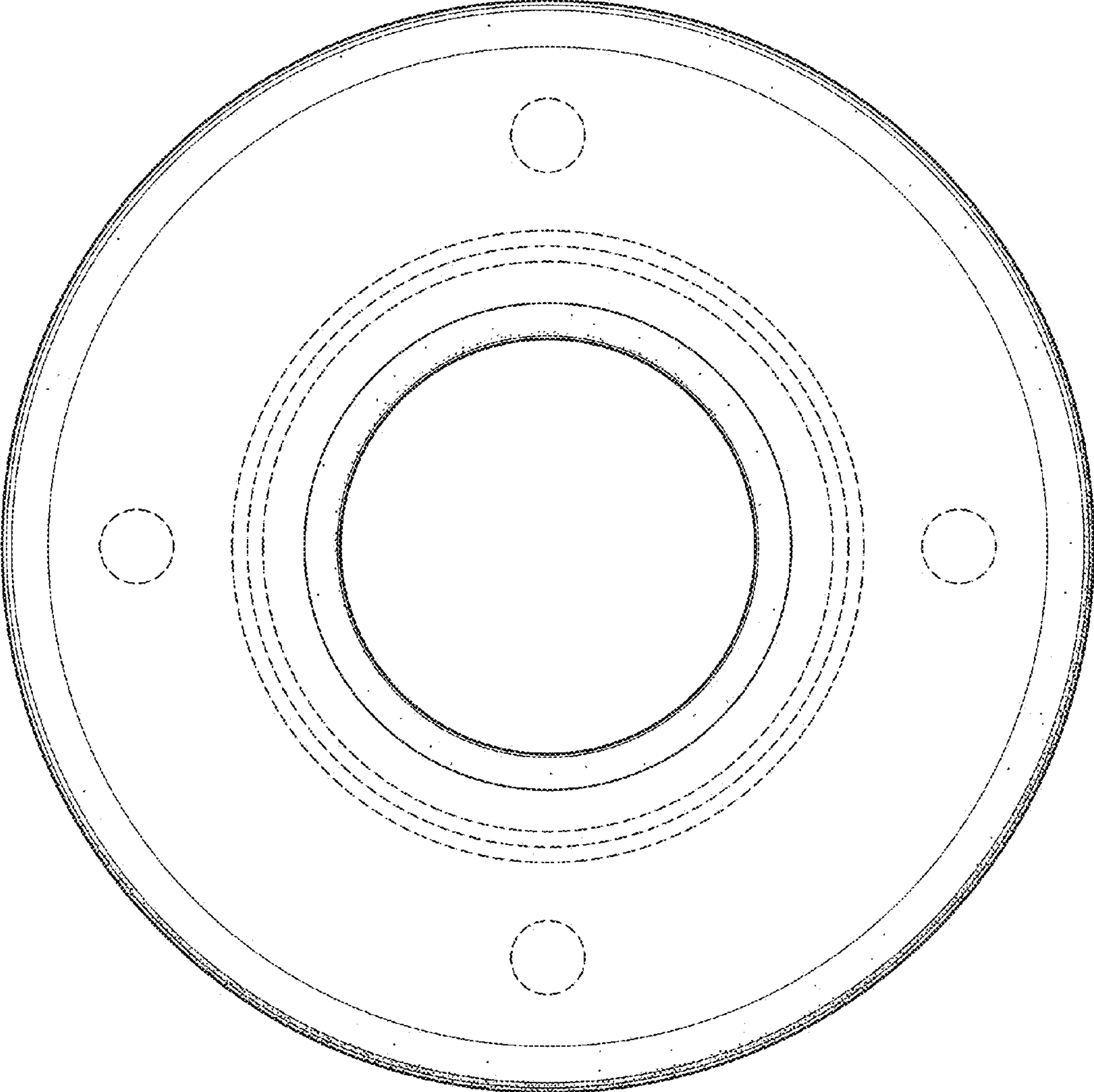


FIG.4

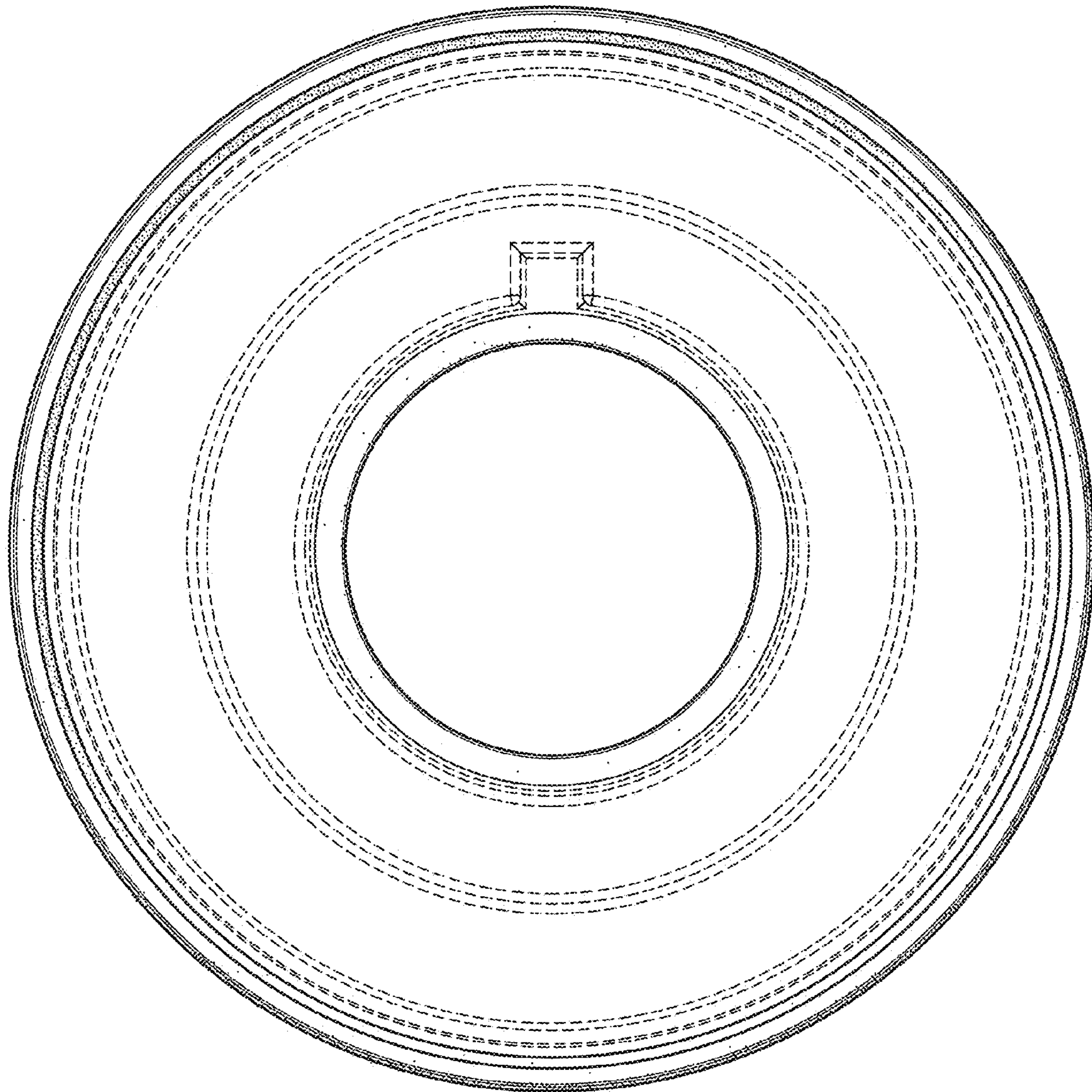


FIG. 5

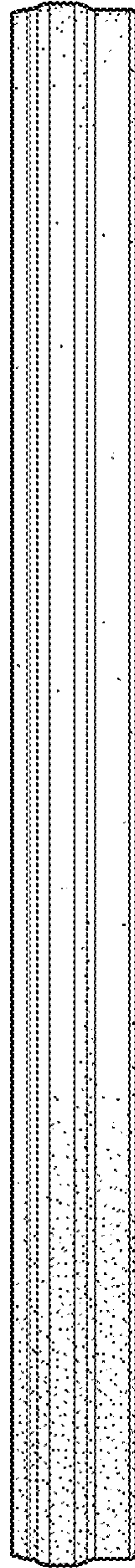


FIG. 6