



US00D750137S

(12) **United States Design Patent**
Webber et al.

(10) **Patent No.:** **US D750,137 S**
(45) **Date of Patent:** **** Feb. 23, 2016**

(54) **IGNITION COIL COVER SYSTEM**

- (71) Applicant: **MSD LLC**, El Paso, TX (US)
- (72) Inventors: **Douglas Webber**, El Paso, TX (US);
Robert Woleslagle, El Paso, TX (US)
- (73) Assignee: **MSD LLC**
- (**) Term: **14 Years**
- (21) Appl. No.: **29/511,358**
- (22) Filed: **Dec. 10, 2014**

(51) **LOC (10) Cl.** **15-01**

(52) **U.S. Cl.**
USPC **D15/5**

(58) **Field of Classification Search**
 USPC D15/1-6, 14, 17, 149; D13/184;
 123/22, 41, 51 A, 34, 606 R, 52.1, 50 A,
 123/50 B, 54.1, 54.2, 54.4, 54.5, 65 R,
 123/195 R, 195 HC, 657, 311, 635, 195 C,
 123/903.38
 CPC F01M 5/00; F16M 1/026; F02P 3/02
 See application file for complete search history.

(56) **References Cited**

U.S. PATENT DOCUMENTS

D512,438	S	*	12/2005	Matsunami	D15/5
D626,969	S	*	11/2010	Gelardi	D15/5
D656,517	S	*	3/2012	Gelardi	D15/5
D656,961	S	*	4/2012	Gelardi	D15/5
2009/0130417	A1	*	5/2009	Maeda	C08L 77/06 428/220
2011/0100320	A1	*	5/2011	Ernst	F02B 77/02 123/198 E
2014/0202136	A1	*	7/2014	Sprute	F01N 3/106 60/274

OTHER PUBLICATIONS

Ford Motor Company and Matthews Software, Inc., 5.0L 4V Coyote 420 HP Mustang Crate Engine, www.fordracingparts.com, 2015, 3 pages.

(Continued)

Primary Examiner — T. Chase Nelson

Assistant Examiner — Ania Aman

(74) *Attorney, Agent, or Firm* — Standley Law Group LLP

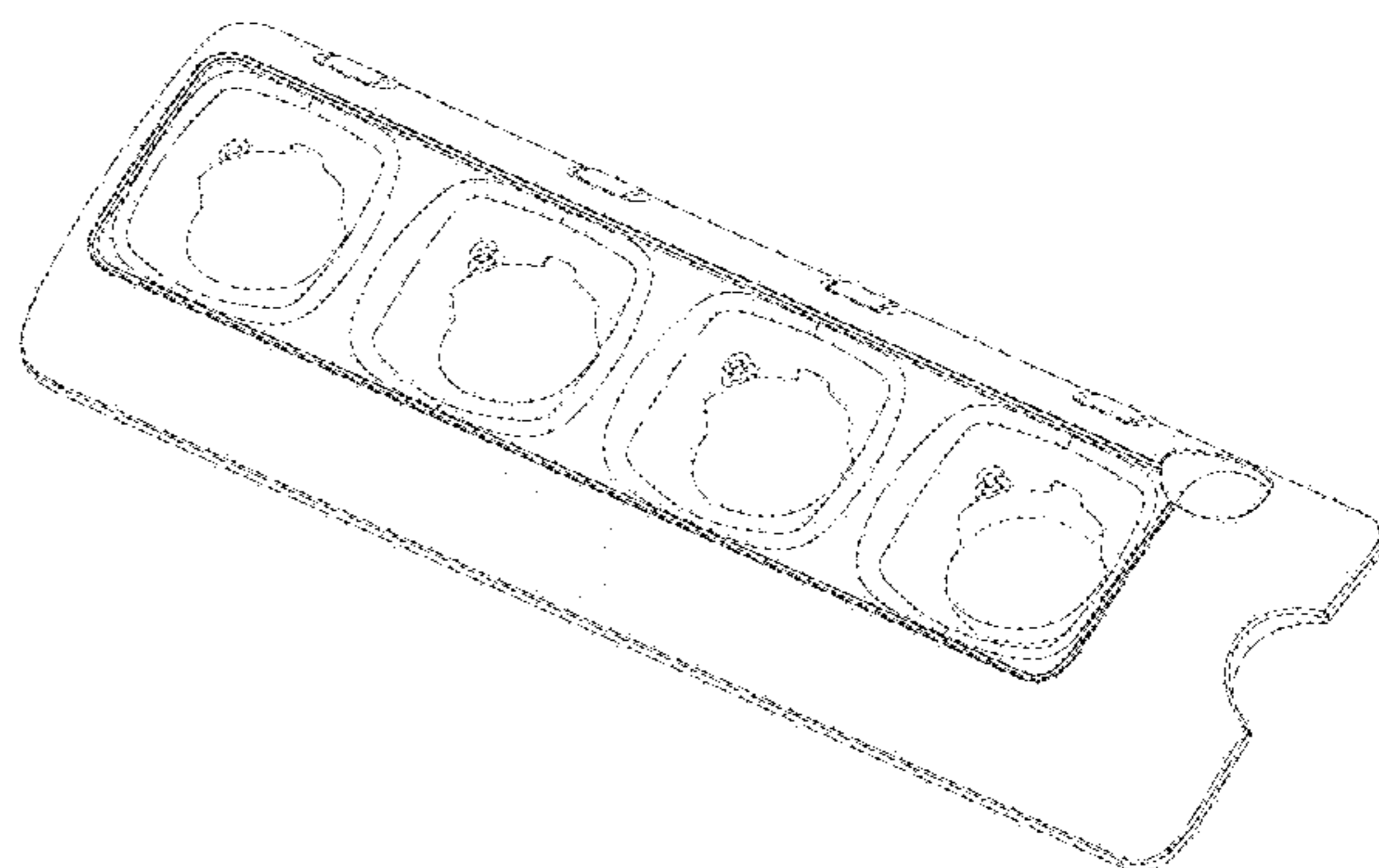
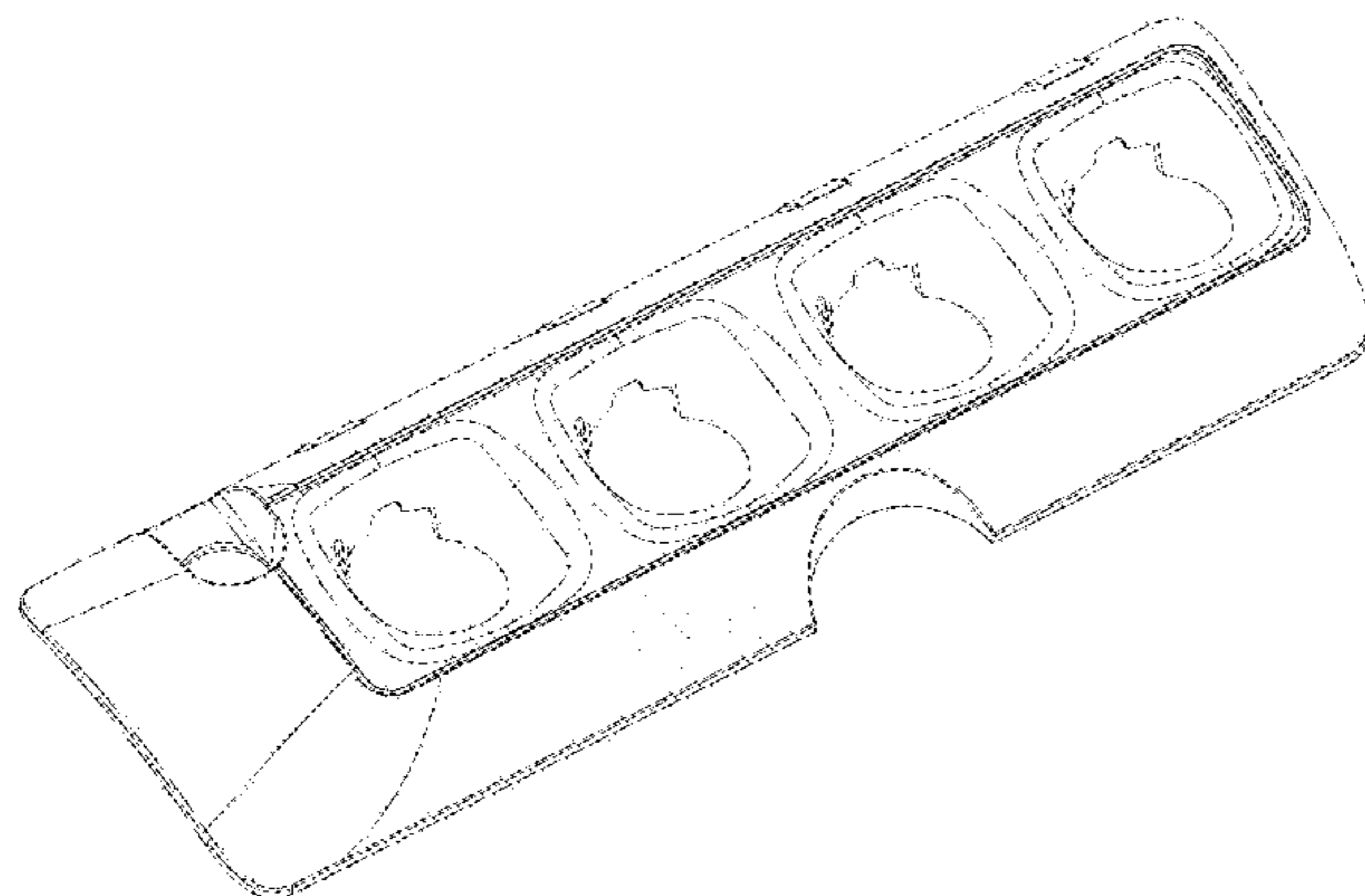
(57) **CLAIM**

The ornamental design for an ignition coil cover system, as shown and described.

DESCRIPTION

FIG. 1 is a front perspective view of the ignition coil cover system illustrating both the right and left halves of said system;
 FIG. 2 is a top perspective view of the right half of the ignition coil cover system;
 FIG. 3 is a left elevation view of the right half of the system as shown in FIG. 1;
 FIG. 4 is a top plan view of the of the right half of the system as shown in FIG. 1;
 FIG. 5 is a right elevation view of the right half of the system as shown in FIG. 1;
 FIG. 6 is a rear elevation view of the right half of the system as shown in FIG. 1;
 FIG. 7 is a top perspective view of the left half of the ignition coil cover system;
 FIG. 8 is a left elevation view of the left half of the system as shown in FIG. 1;
 FIG. 9 is a top plan view of the of the left half of the system as shown in FIG. 1;
 FIG. 10 is a right elevation view of the left half of the system as shown in FIG. 1; and,
 FIG. 11 is a rear elevation view of the right half of the system as shown in FIG. 1.
 The broken lines shown in FIG. 1 are for the purpose of illustrating environment that forms no part of the claimed design.

1 Claim, 5 Drawing Sheets



(56)

References Cited

parts/Mustang-50L-Black-Coil-Covers-Ford-Racing.html#, 2014, 4 pages.

OTHER PUBLICATIONS

Roush Performance Products, Inc., Mustang 5.0L Black Coil Covers (2011-2014)—Ford Racing, <http://www.roushperformance.com/>

* cited by examiner

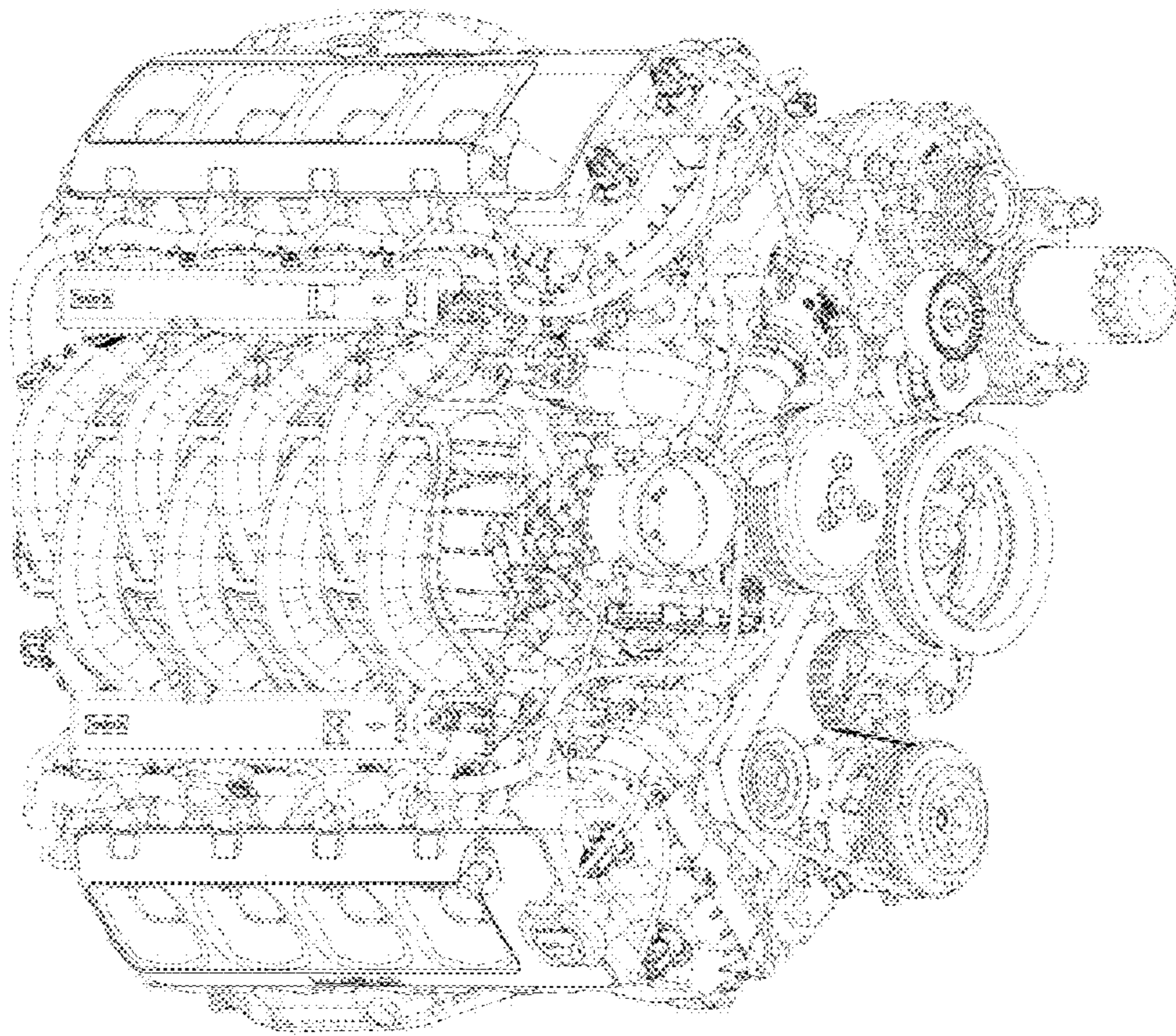


FIG. 1

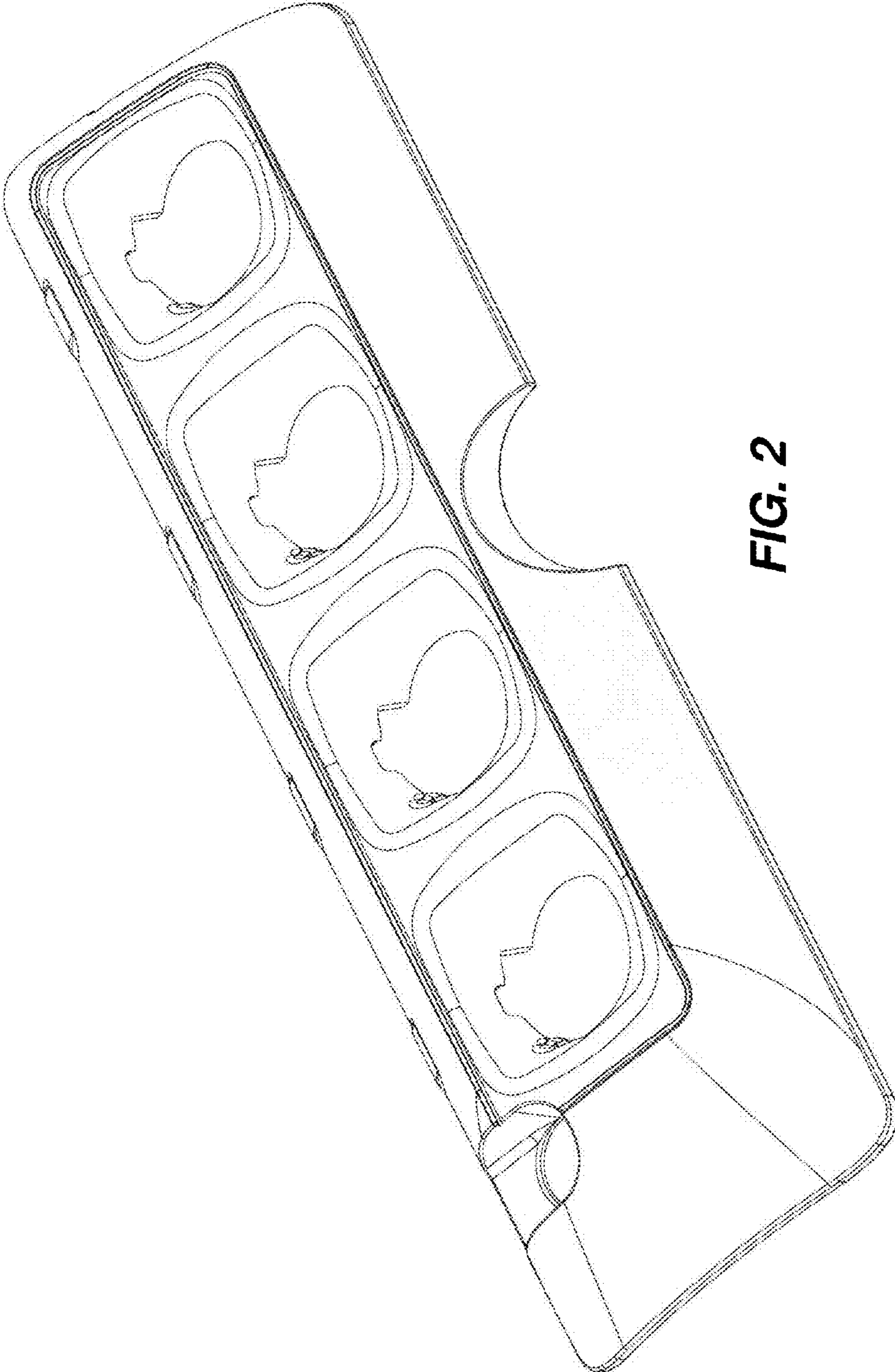


FIG. 2

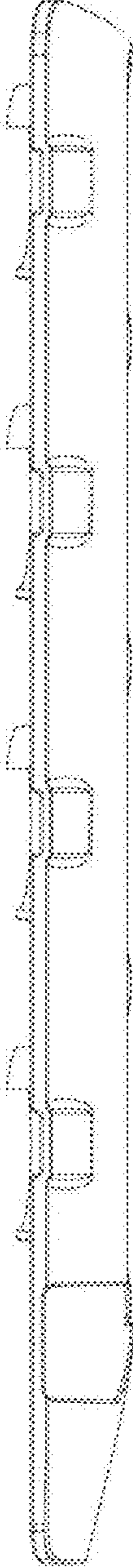


FIG. 3

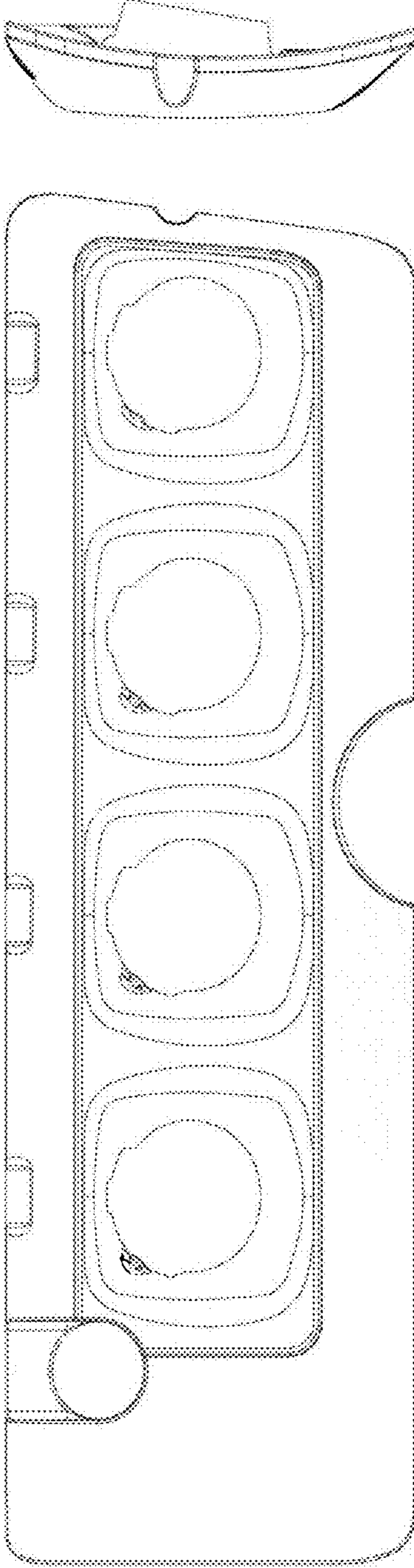


FIG. 4



FIG. 5

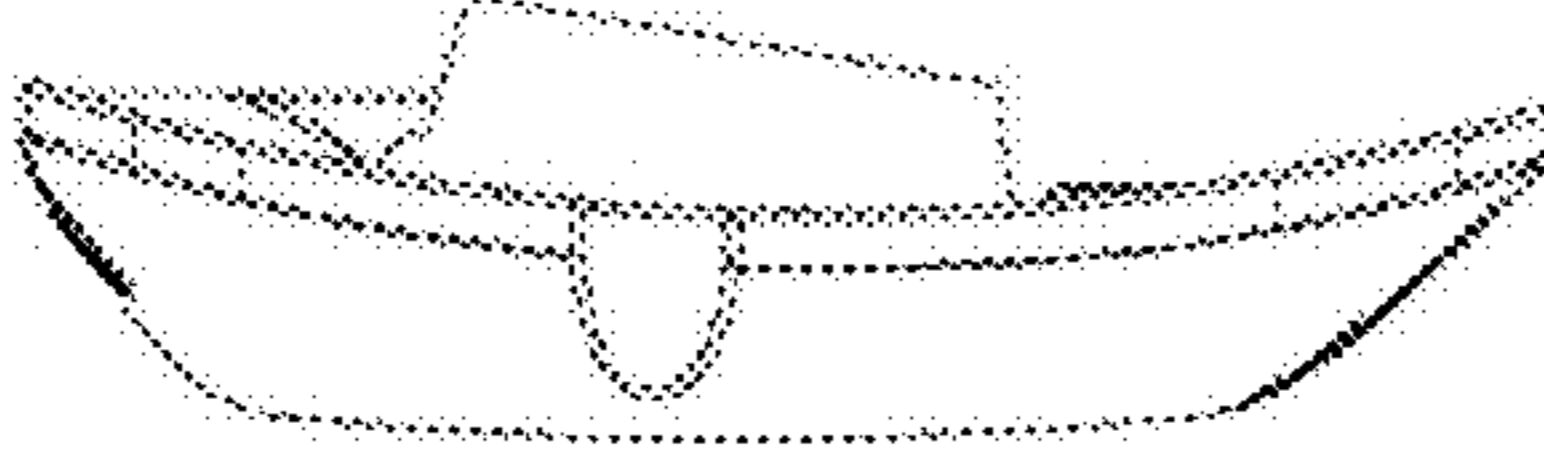


FIG. 6

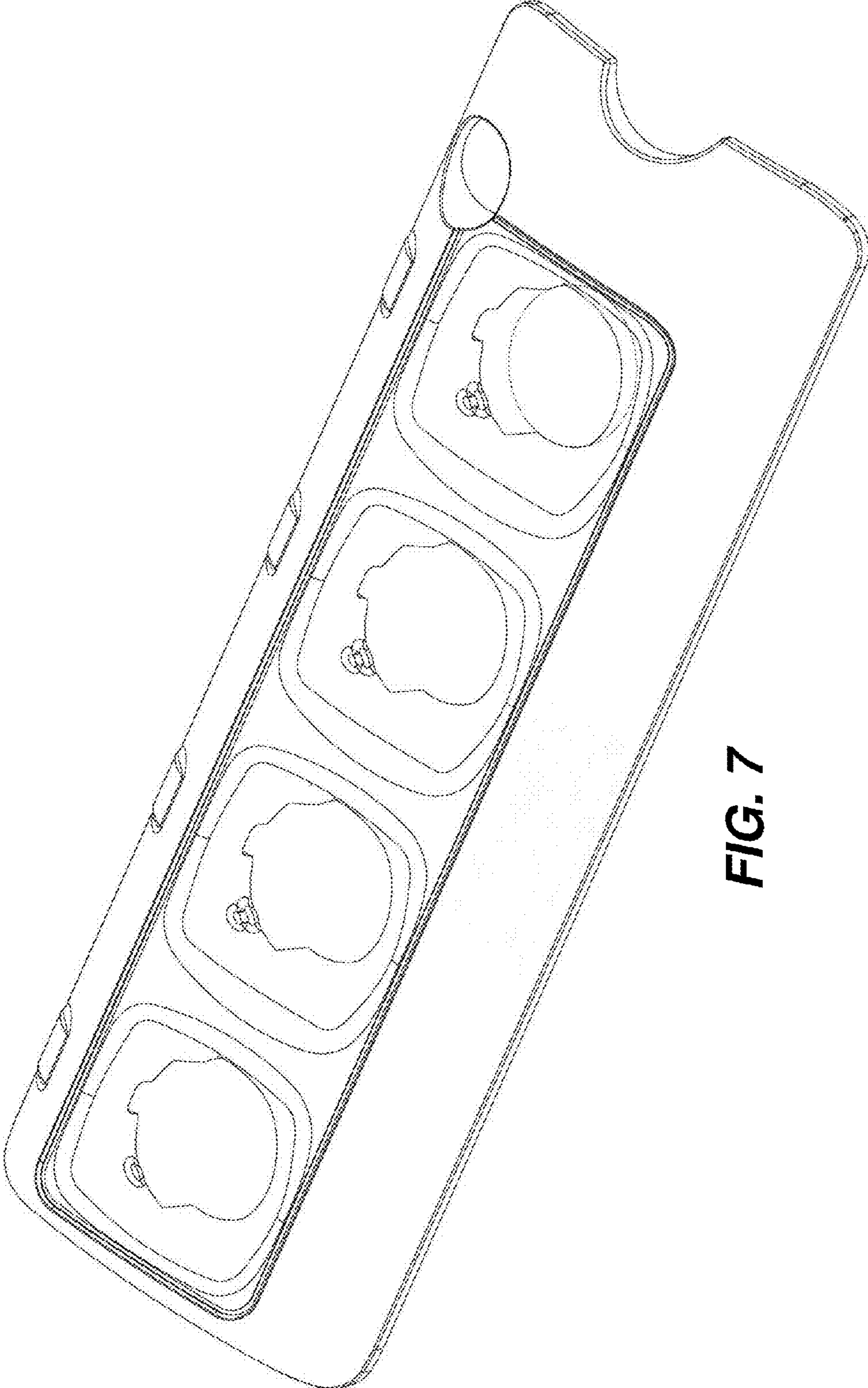


FIG. 7

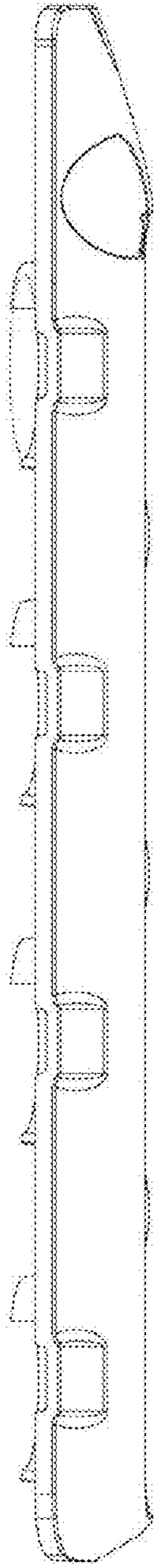


FIG. 8

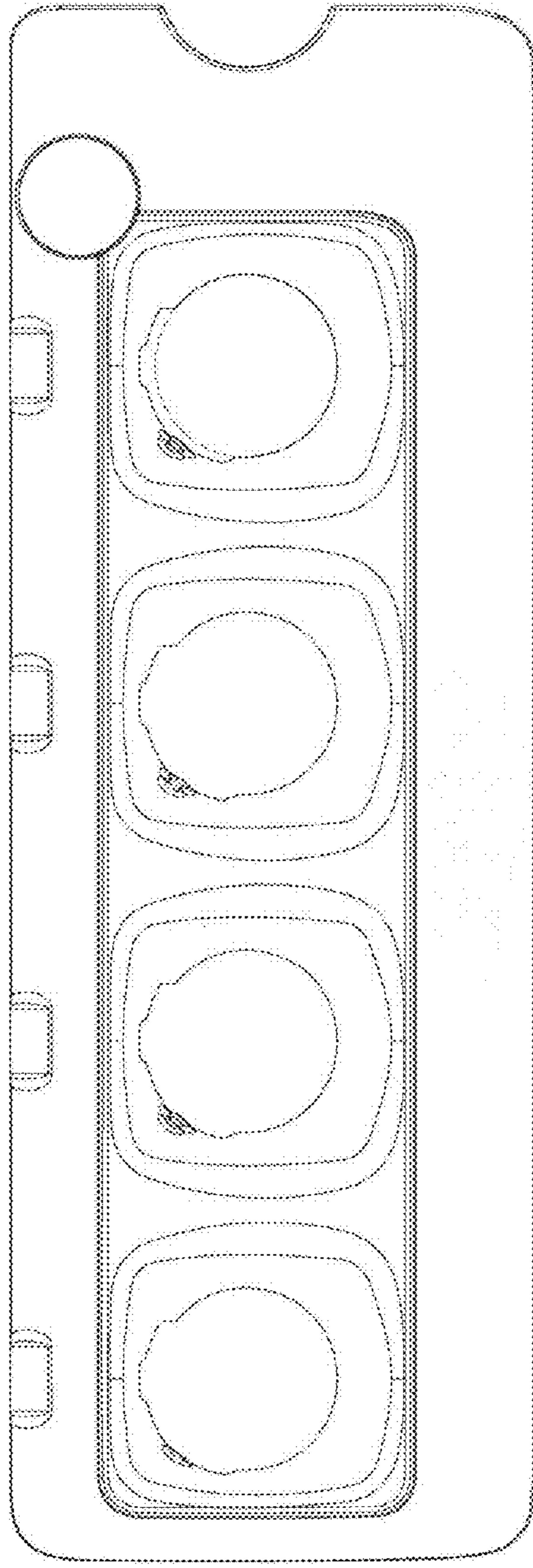


FIG. 9

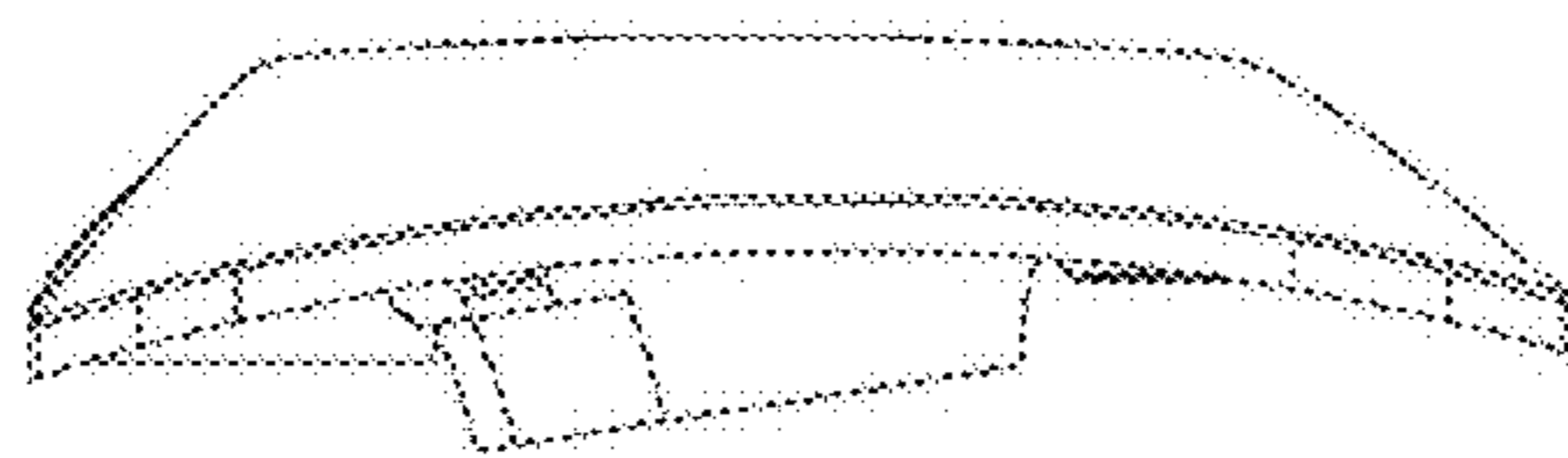


FIG. 11

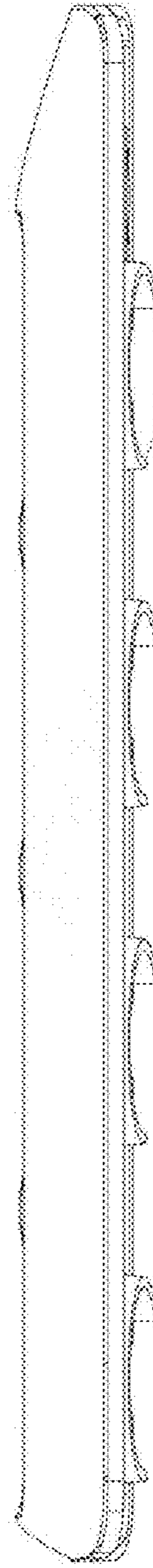


FIG. 10