



US00D750125S

(12) **United States Design Patent**
Yang et al.

(10) **Patent No.:** **US D750,125 S**
(45) **Date of Patent:** **** Feb. 23, 2016**

(54) **DISPLAY SCREEN OR PORTION THEREOF WITH ANIMATED ICON FOR OPTIMIZING COMPUTER DEVICE RESOURCES**

D674,405 S * 1/2013 Guastella D14/488
D676,060 S * 2/2013 Frost D14/490
D677,275 S * 3/2013 Wujcik D14/487
D694,257 S * 11/2013 McKinley D14/486
D696,263 S * 12/2013 Ray D14/485

(71) Applicants: **Beijing Qihoo Technology Co. Ltd.**,
Beijing (CN); **Qizhi Software (Beijing) Co. Ltd.**, Beijing (CN)

(Continued)

Primary Examiner — Barbara Fox

(72) Inventors: **Jixin Yang**, Beijing (CN); **Yisong Yang**,
Beijing (CN)

Assistant Examiner — Dana K Weiland

(74) *Attorney, Agent, or Firm* — Baker & Hostetler LLP

(73) Assignees: **Beijing Qihoo Technology Co., Ltd.**,
Beijing (CN); **Qizhi Software (Beijing) Co., Ltd.**, Beijing (CN)

(57) **CLAIM**

We claim the ornamental design for a display screen or portion thereof with animated icon for optimizing computer device resources, as shown and described.

(**) Term: **14 Years**

DESCRIPTION

(21) Appl. No.: **29/478,037**

FIG. 1 is a first image in a sequence for a display screen or portion thereof with animated icon for optimizing computer device resources, showing our new design;

(22) Filed: **Dec. 30, 2013**

FIG. 2 is a second image thereof;

(51) **LOC (10) Cl.** **14-04**

FIG. 3 is a third image thereof;

(52) **U.S. Cl.**

FIG. 4 is a fourth image thereof;

USPC **D14/488**

FIG. 5 is a fifth image thereof;

(58) **Field of Classification Search**

USPC D14/485–495

FIG. 6 is a sixth image thereof;

CPC G06T 13/80; G06T 15/02; H04N 1/00424;

FIG. 7 is a seventh image thereof;

H04N 1/00408; H04N 1/00437; G06F

FIG. 8 is an eighth image thereof;

3/04817; G06F 3/0481; G06F 3/04847;

FIG. 9 is a ninth image thereof;

G06F 1/1692; A63F 2300/308; A63F 13/53

FIG. 10 is a tenth image thereof;

See application file for complete search history.

FIG. 11 is an eleventh image thereof;

(56) **References Cited**

U.S. PATENT DOCUMENTS

FIG. 12 is a twelfth image thereof;

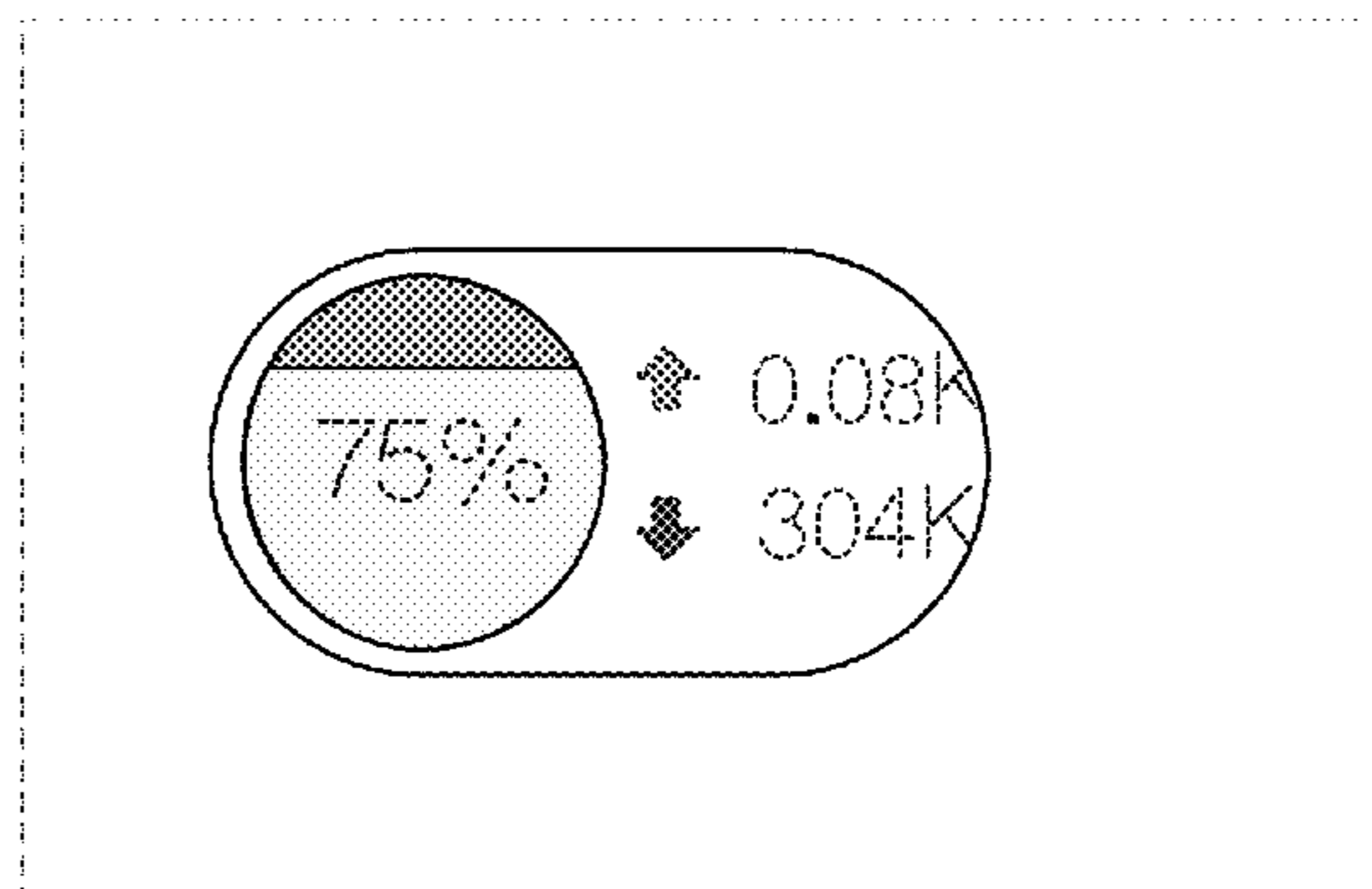
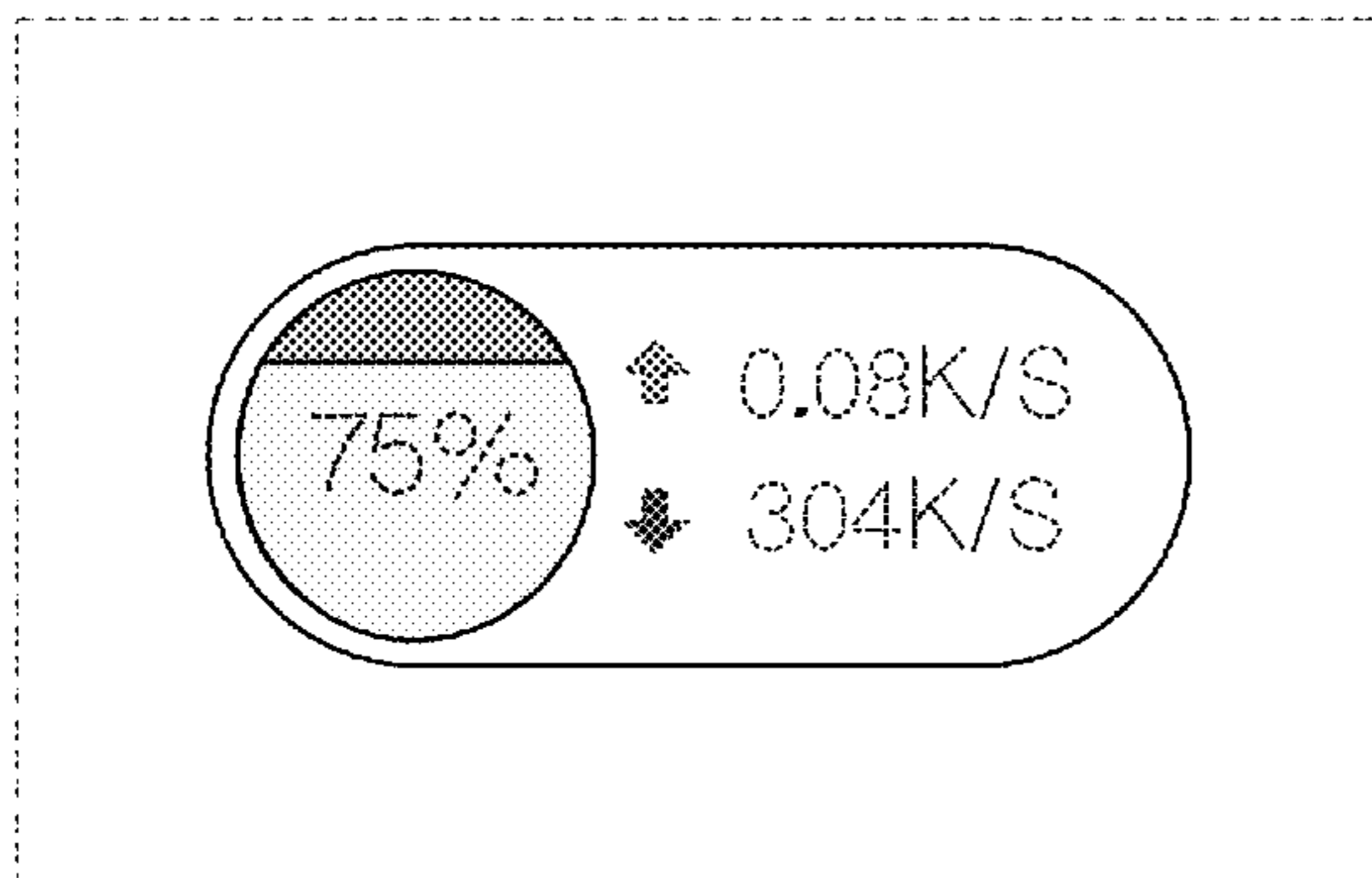
FIG. 13 is a thirteenth image thereof; and,

FIG. 14 is a fourteenth image thereof.

The broken lines in the drawings represent portions of the display screen or portion thereof with animated icon for optimizing computer device resources that form no part of the claimed design.

The appearance of the transitional image sequentially transitions between the images shown in FIGS. 1-14. The process or period in which one image transitions to another image forms no part of the claimed design.

1 Claim, 5 Drawing Sheets



(56)

References Cited

U.S. PATENT DOCUMENTS

D699,253 S * 2/2014 Kim D14/486
D722,614 S * 2/2015 Williams D14/487
D726,214 S * 4/2015 Wantland D14/487
D727,960 S * 4/2015 Chaudhri D14/489
D737,311 S * 8/2015 Ma D14/487

2011/0231484 A1* 9/2011 Burgess, III G06F 3/0346
709/203
2012/0096383 A1* 4/2012 Sakamoto G06F 9/4443
715/772
2014/0192229 A1* 7/2014 Kim G06K 9/00302
348/231.3
2014/0192232 A1* 7/2014 Park H04N 5/76
348/231.99

* cited by examiner

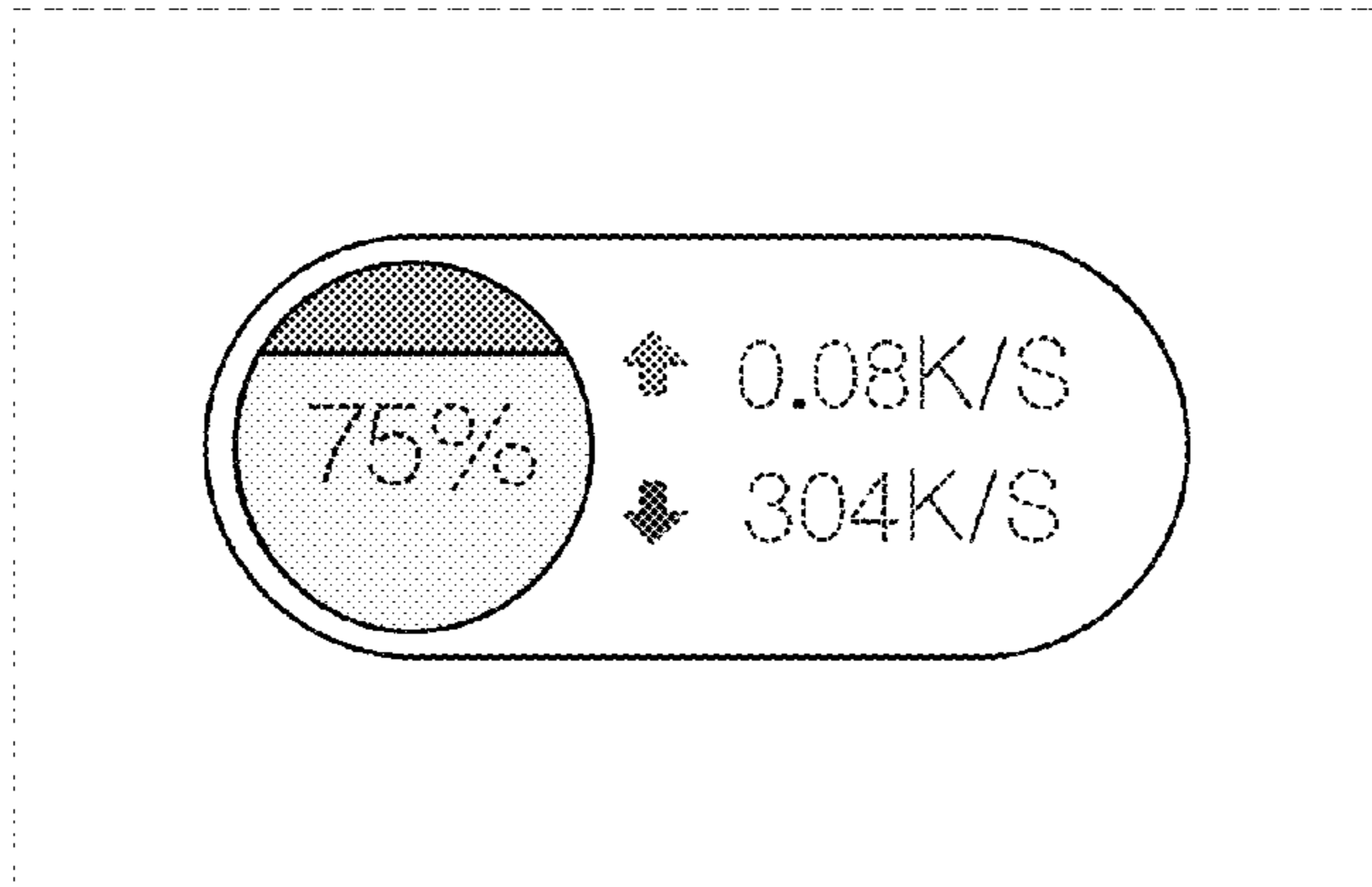


FIG. 1

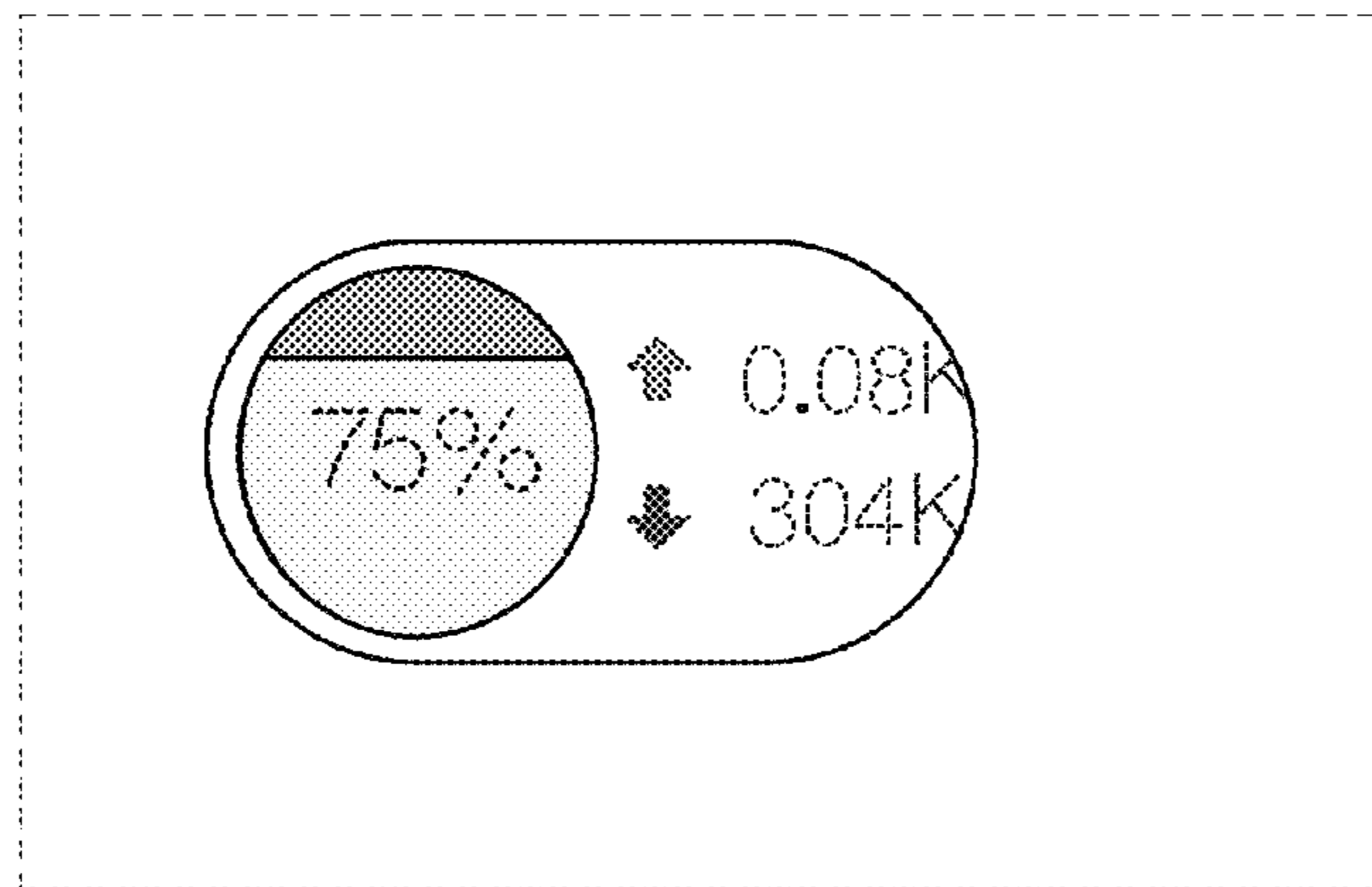


FIG. 2

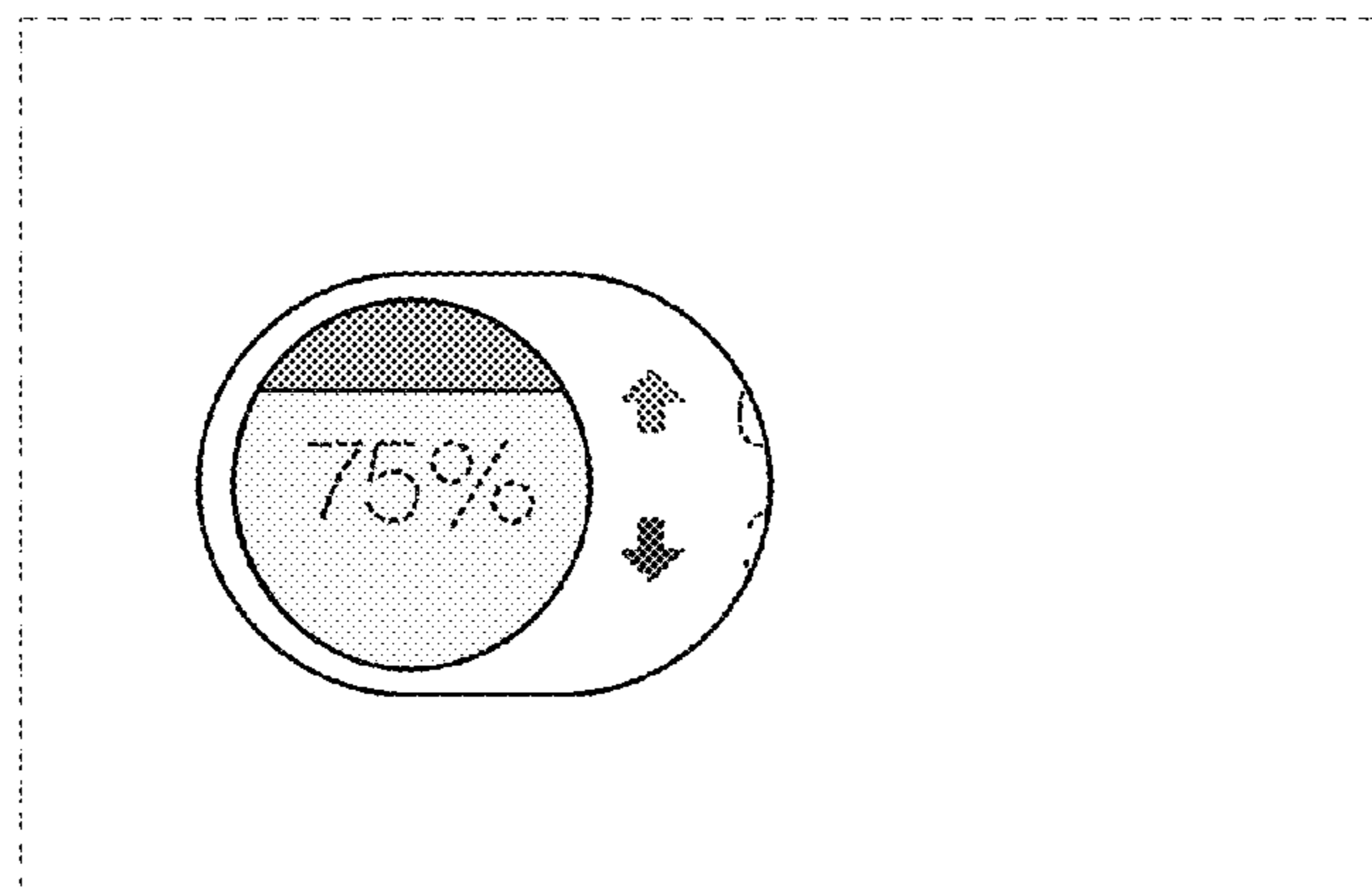


FIG. 3

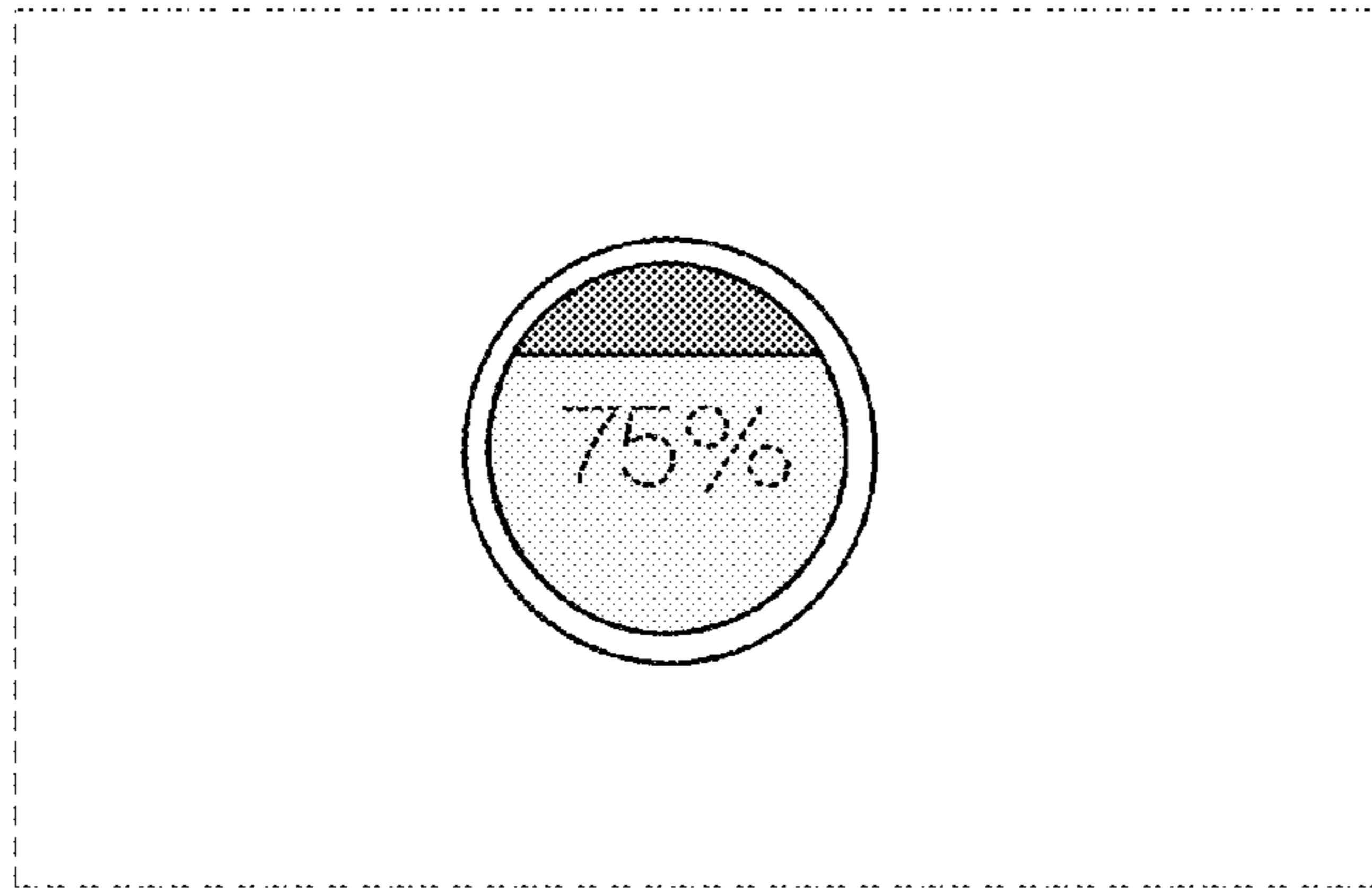


FIG. 4

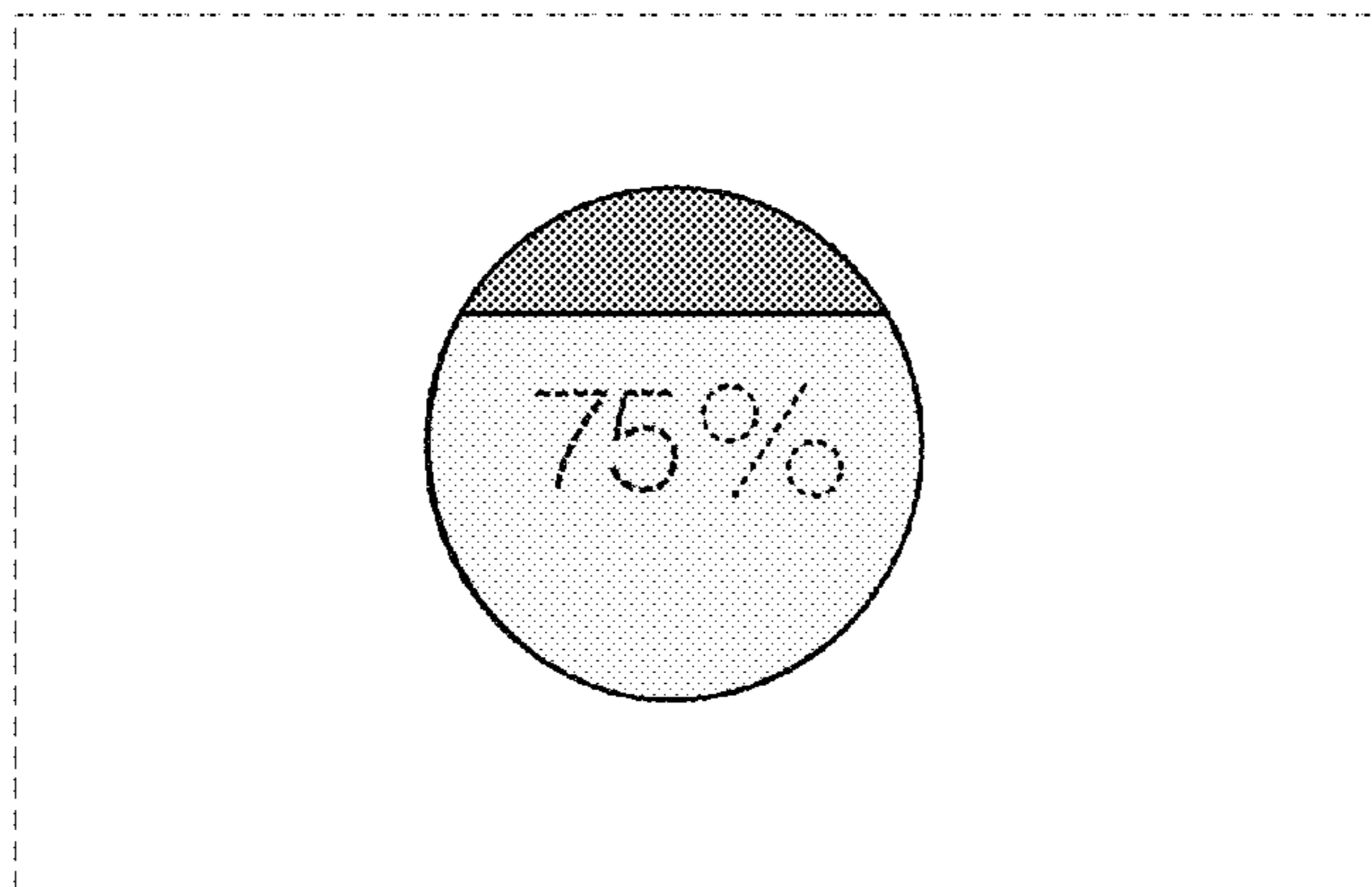


FIG. 5

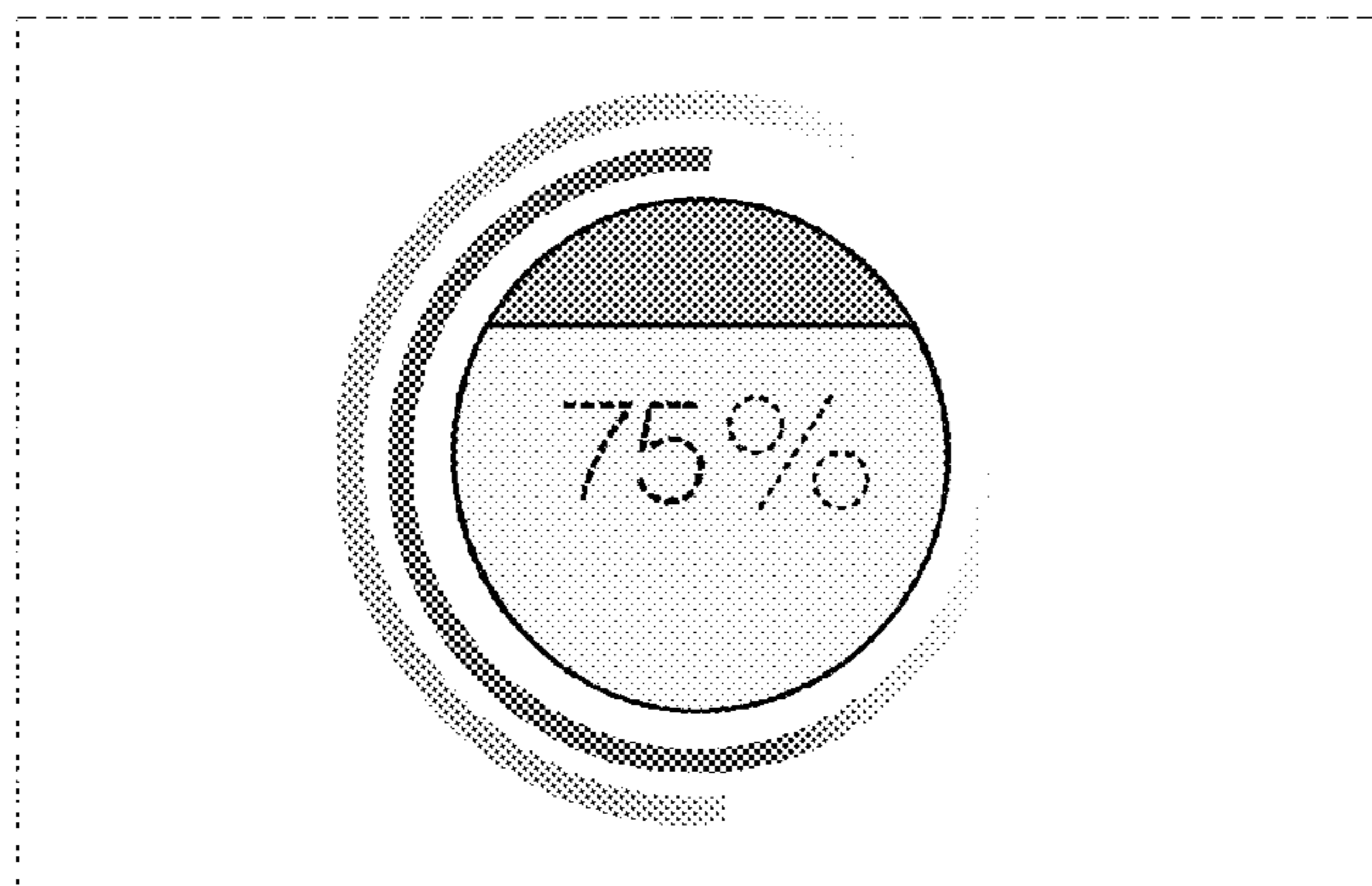


FIG. 6

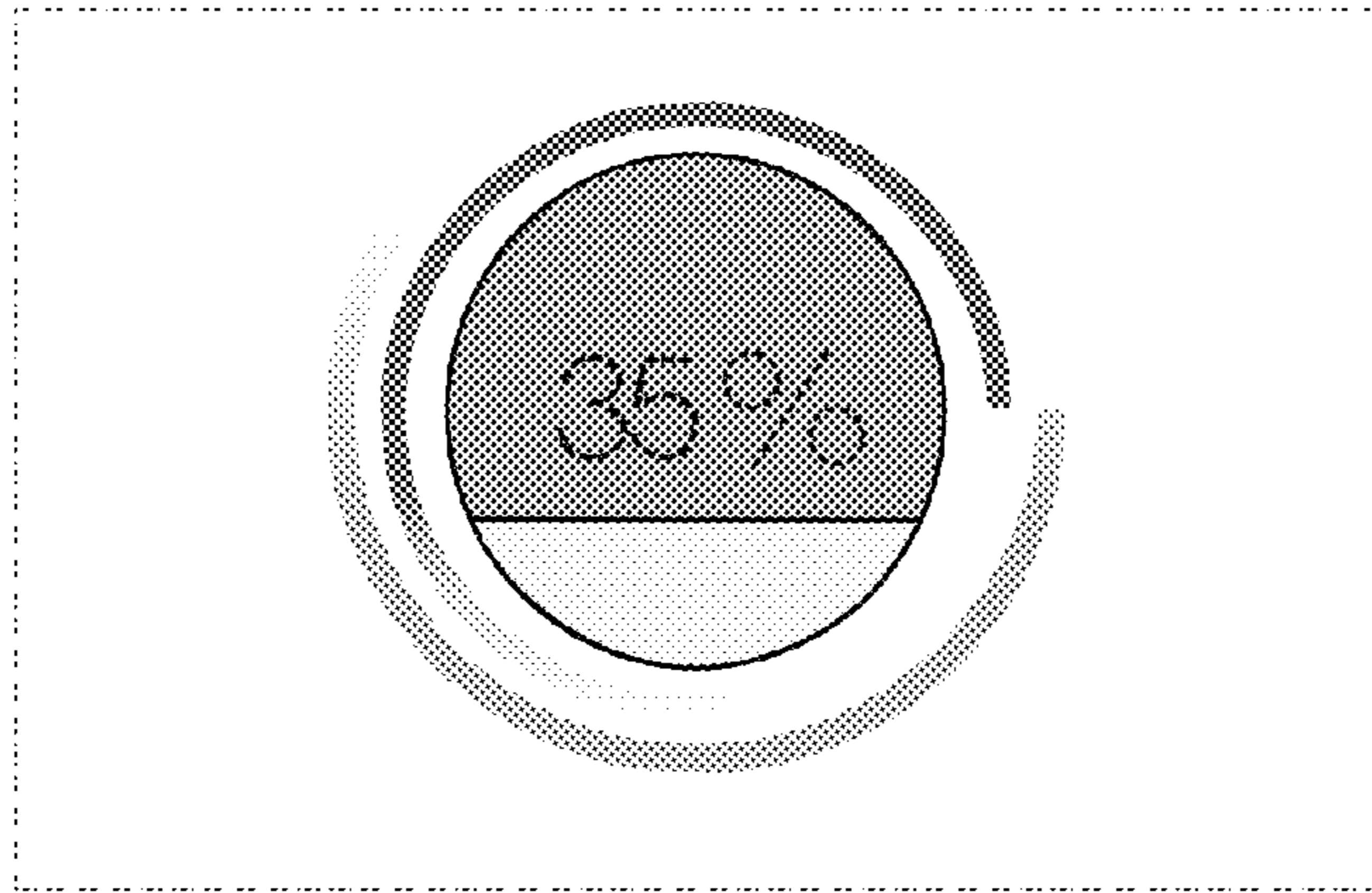


FIG. 7

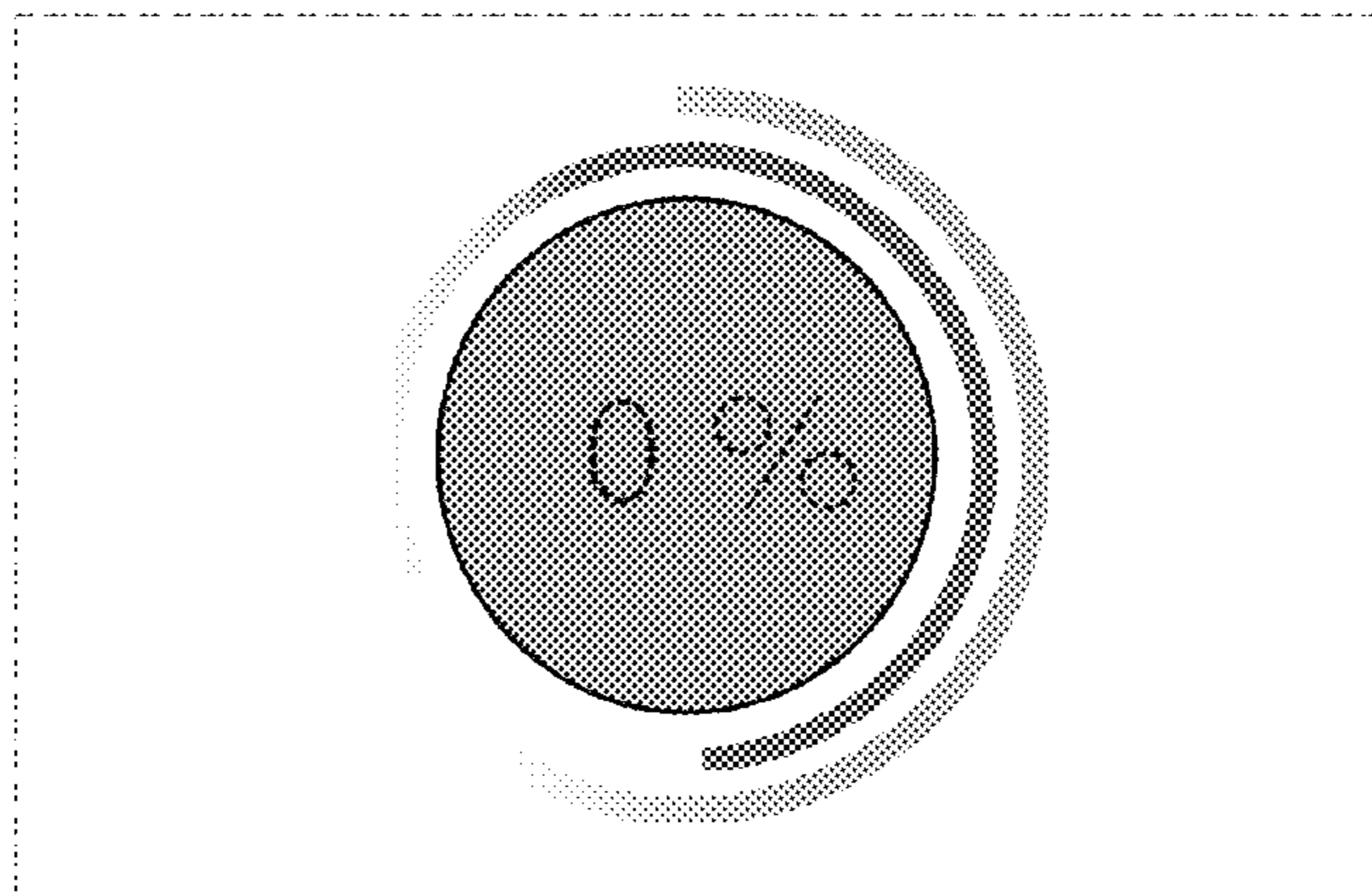


FIG. 8

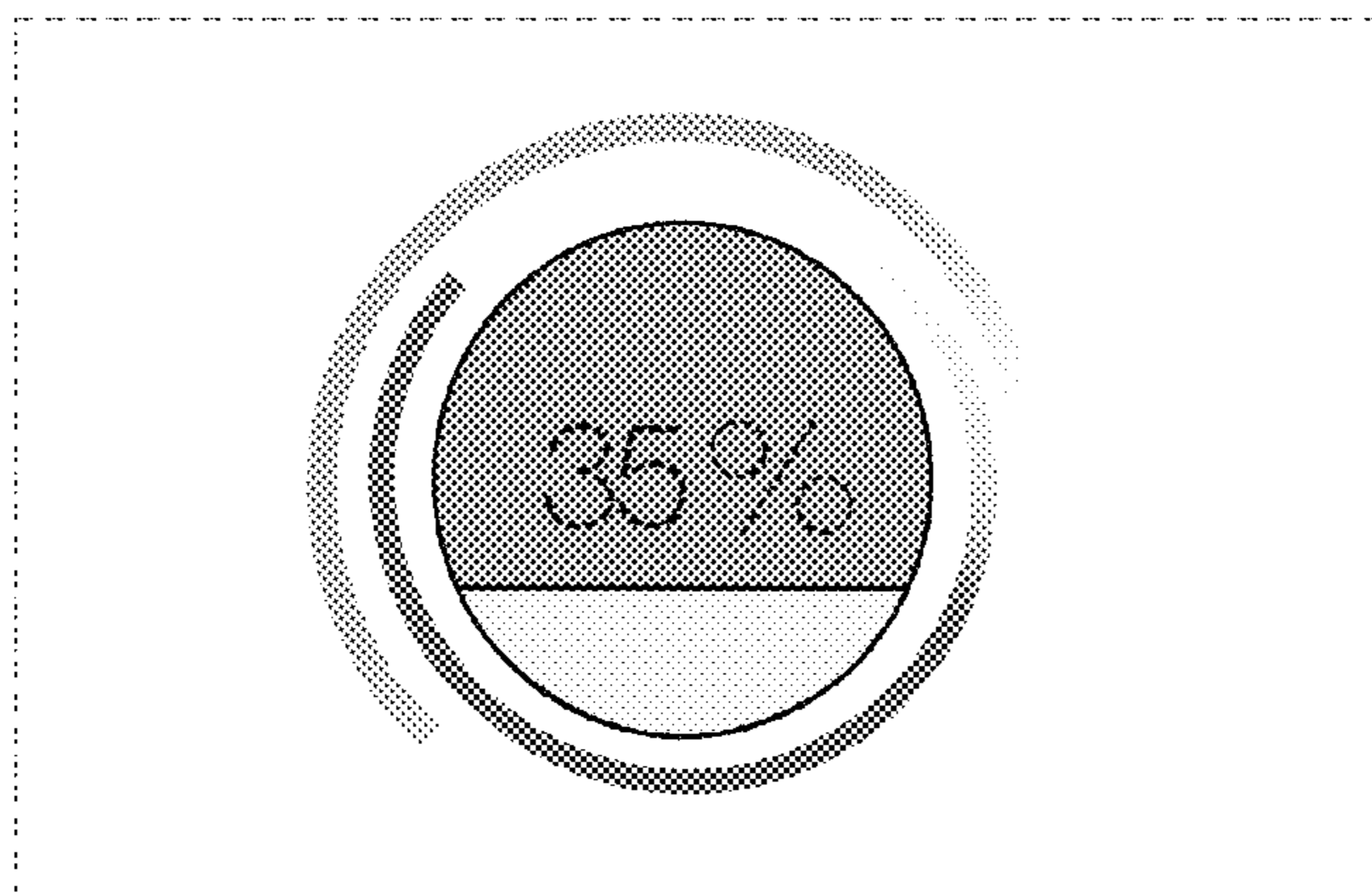


FIG. 9

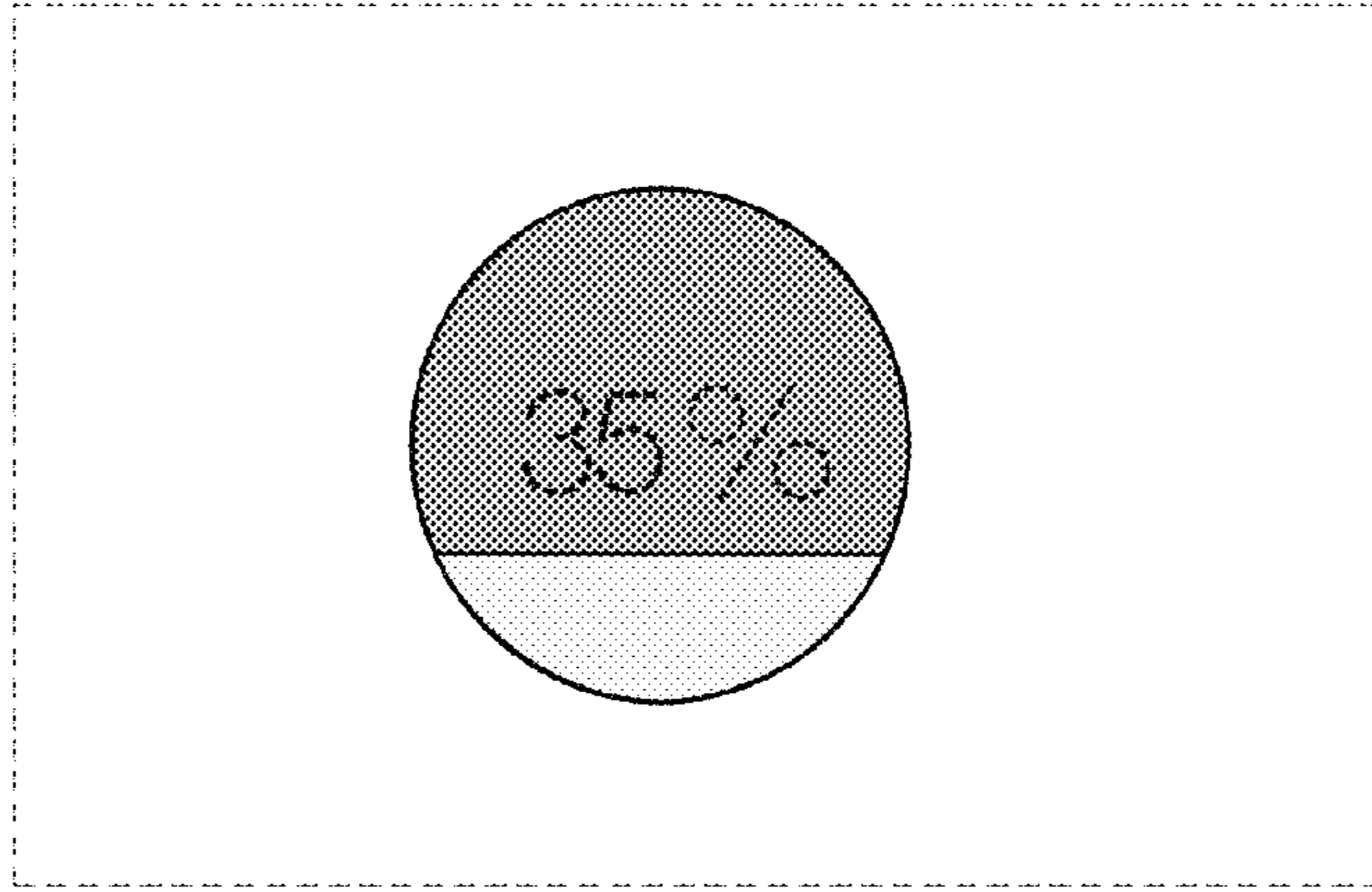


FIG. 10

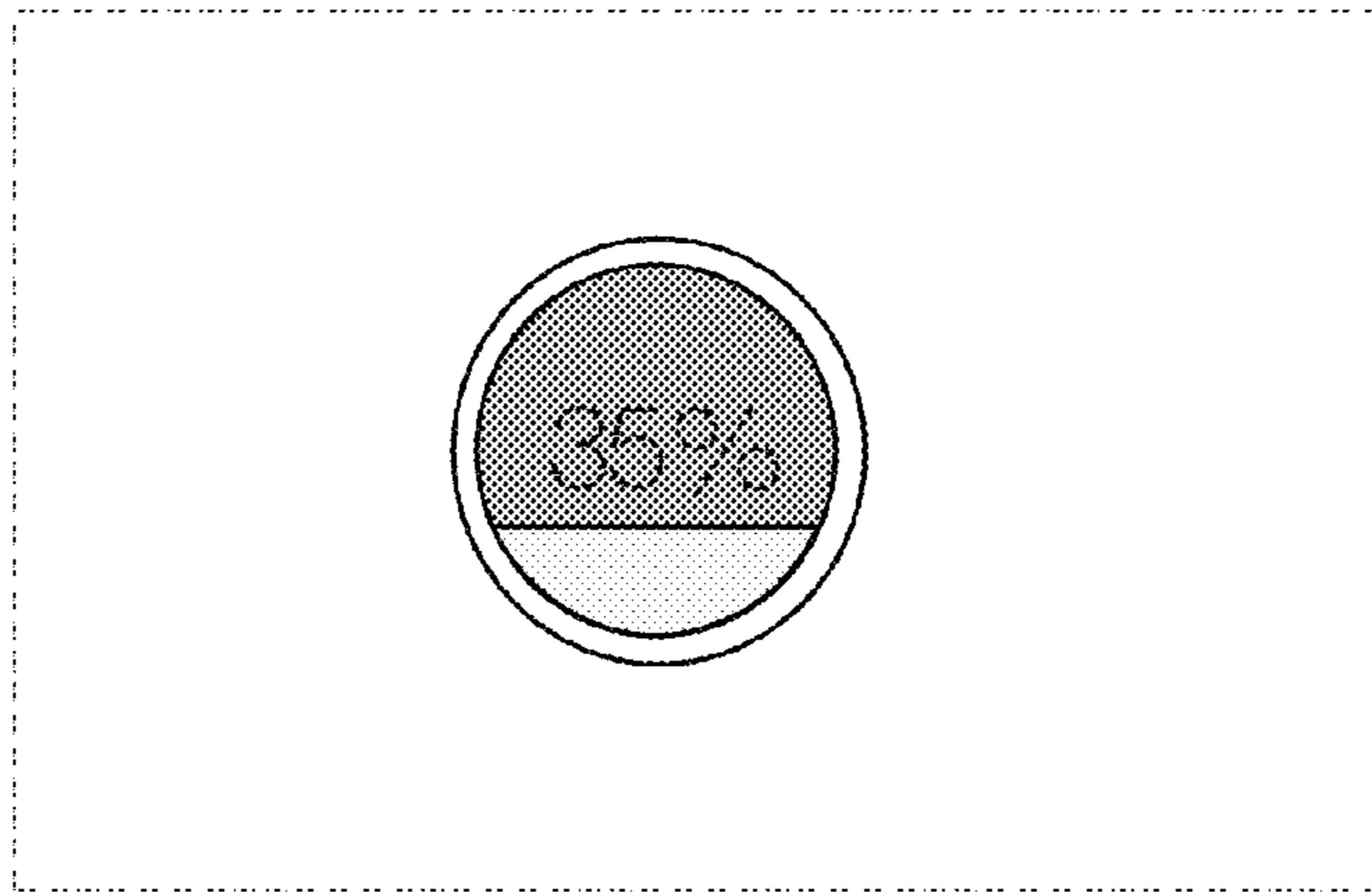


FIG. 11

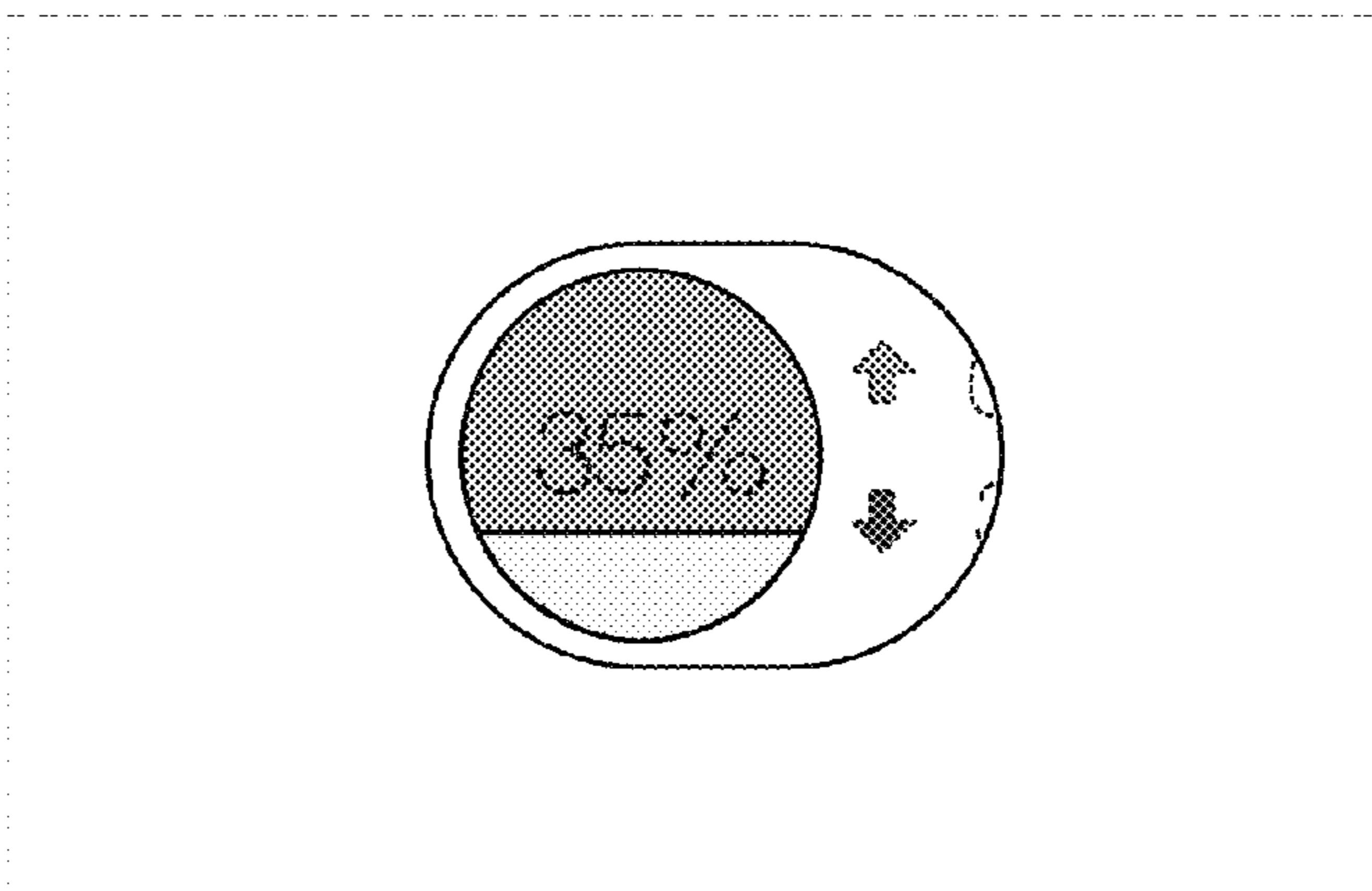


FIG. 12

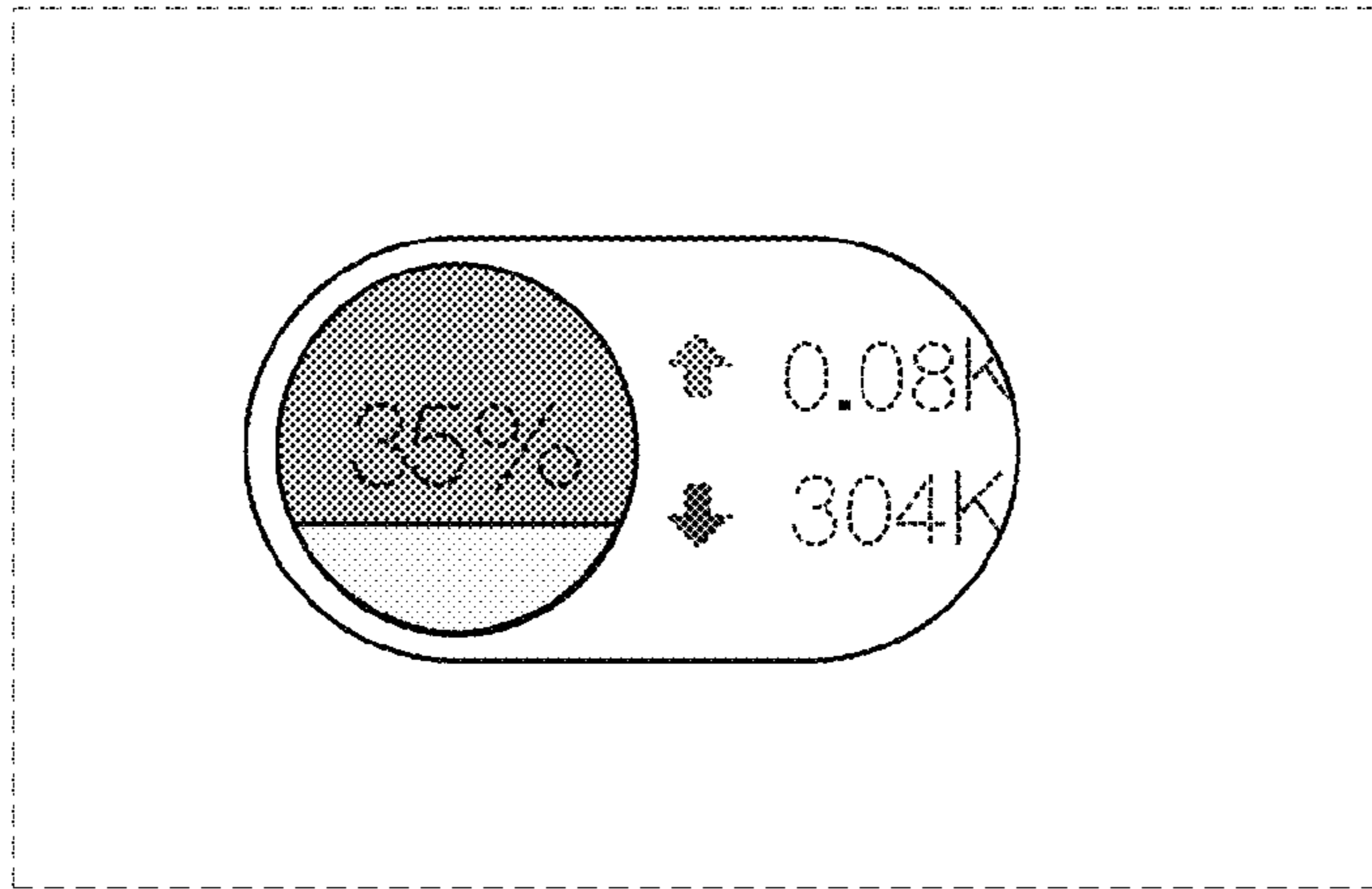


FIG. 13

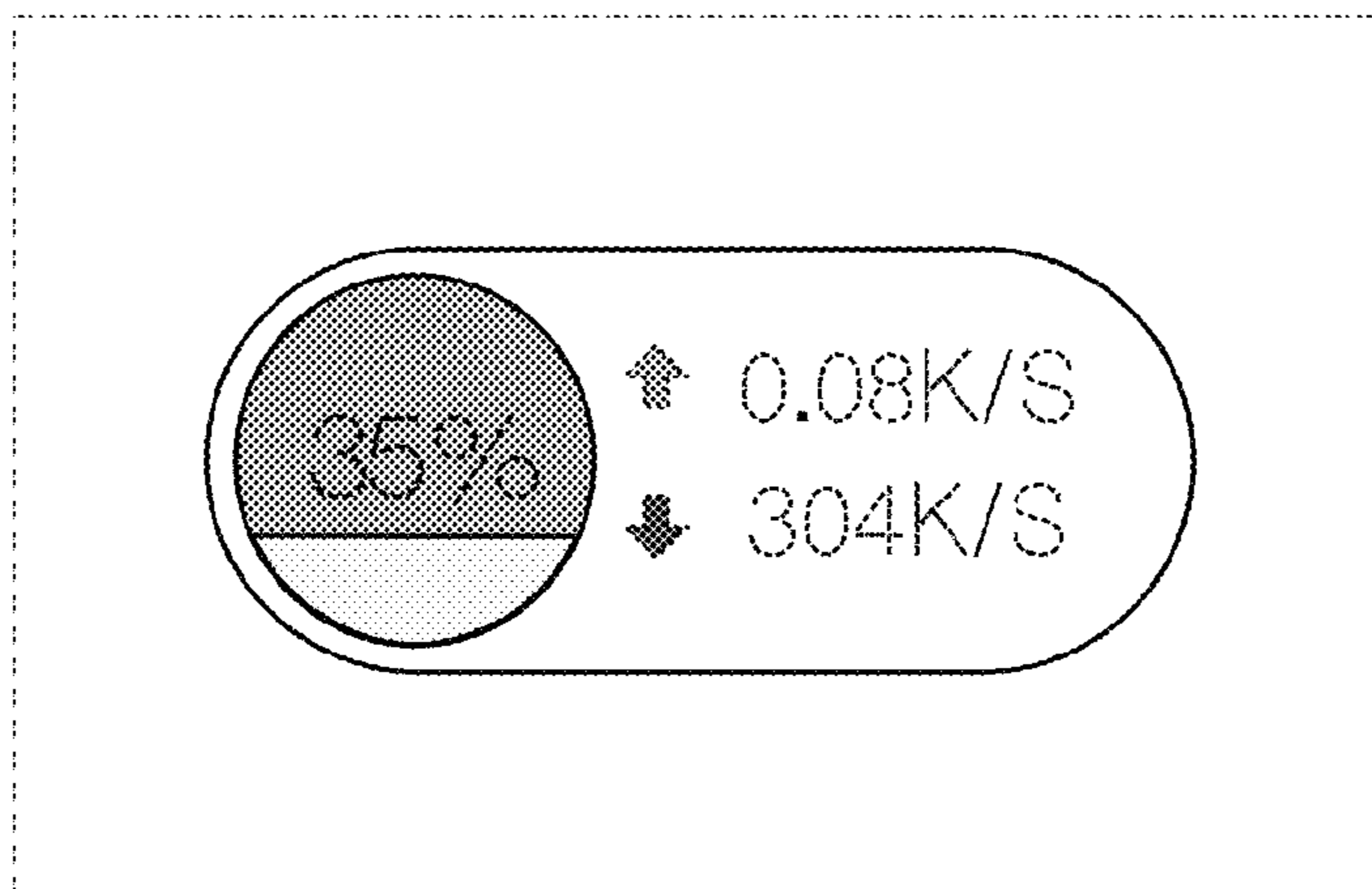


FIG. 14