



US00D750093S

(12) **United States Design Patent**
Jung et al.

(10) **Patent No.:** **US D750,093 S**

(45) **Date of Patent:** **** *Feb. 23, 2016**

(54) **STAND FOR COMPUTER MONITOR**

(71) Applicant: **Samsung Electronics Co., Ltd.**,
Suwon-si (KR)

(72) Inventors: **Daehun Jung**, Seoul (KR); **Yong-joo Lee**, Seoul (KR); **Wonjun Lee**, Seoul (KR); **Bumho Chun**, Seoul (KR)

(73) Assignee: **Samsung Electronics Co., Ltd.**,
Suwon-si (KR)

(*) Notice: This patent is subject to a terminal disclaimer.

(**) Term: **14 Years**

(21) Appl. No.: **29/494,035**

(22) Filed: **Jun. 17, 2014**

(30) **Foreign Application Priority Data**

Jan. 2, 2014 (KR) 30-2014-0000254

(51) **LOC (10) Cl.** **08-07**

(52) **U.S. Cl.**
USPC **D14/451**

(58) **Field of Classification Search**
USPC D14/371–382, 125–129, 336, 337, D14/447–452, 492, 335, 239, 457, 439–441, D14/432, 251–253; D8/349, 354, 363, 373, D8/376, 380; 348/180, 184, 325, 739, 825; D12/407, 415; D3/218; 341/12
CPC G06F 3/0412; G06F 3/016; G06F 3/0488; G06F 3/011; G06F 3/038; G06F 3/03543; G06F 3/0338; G06F 3/0202; G06F 3/0219; G06F 3/0213; G06F 1/1616; G06F 3/023; G06F 3/04883; G02F 1/13338; G02F 1/133308; G02F 1/134309; G02F 1/13718; G02F 1/1313; G02F 1/333; G02F 1/135; G02F 1/132; G09G 3/3648; G06K 15/1252; B41J 2/465; G03F 7/70291; G02B 27/0172; G02B 5/30; G02B 2027/0118; G02B 27/0101;

F16M 13/02; F16M 13/00; F16M 11/10; F16M 11/04; F16M 2200/08; F16M 11/2021; A47B 21/0314; A47B 88/044; A47B 2021/0335; H02G 3/126; F16B 47/00; F16B 47/006; A47G 1/17; A47K 2201/00

See application file for complete search history.

(56) **References Cited**

U.S. PATENT DOCUMENTS

D295,415 S *	4/1988	Thies et al.	D14/452
D317,760 S *	6/1991	Esslinger	D14/451
D413,110 S *	8/1999	Sweere et al.	D14/447
D616,424 S *	5/2010	Li	D14/239
D667,806 S *	9/2012	Asanuma et al.	D14/129
D687,442 S *	8/2013	Nishimura	D14/447

(Continued)

Primary Examiner — Deanna L Pratt

Assistant Examiner — Katie Mroczka

(74) *Attorney, Agent, or Firm* — NSIP Law

(57) **CLAIM**

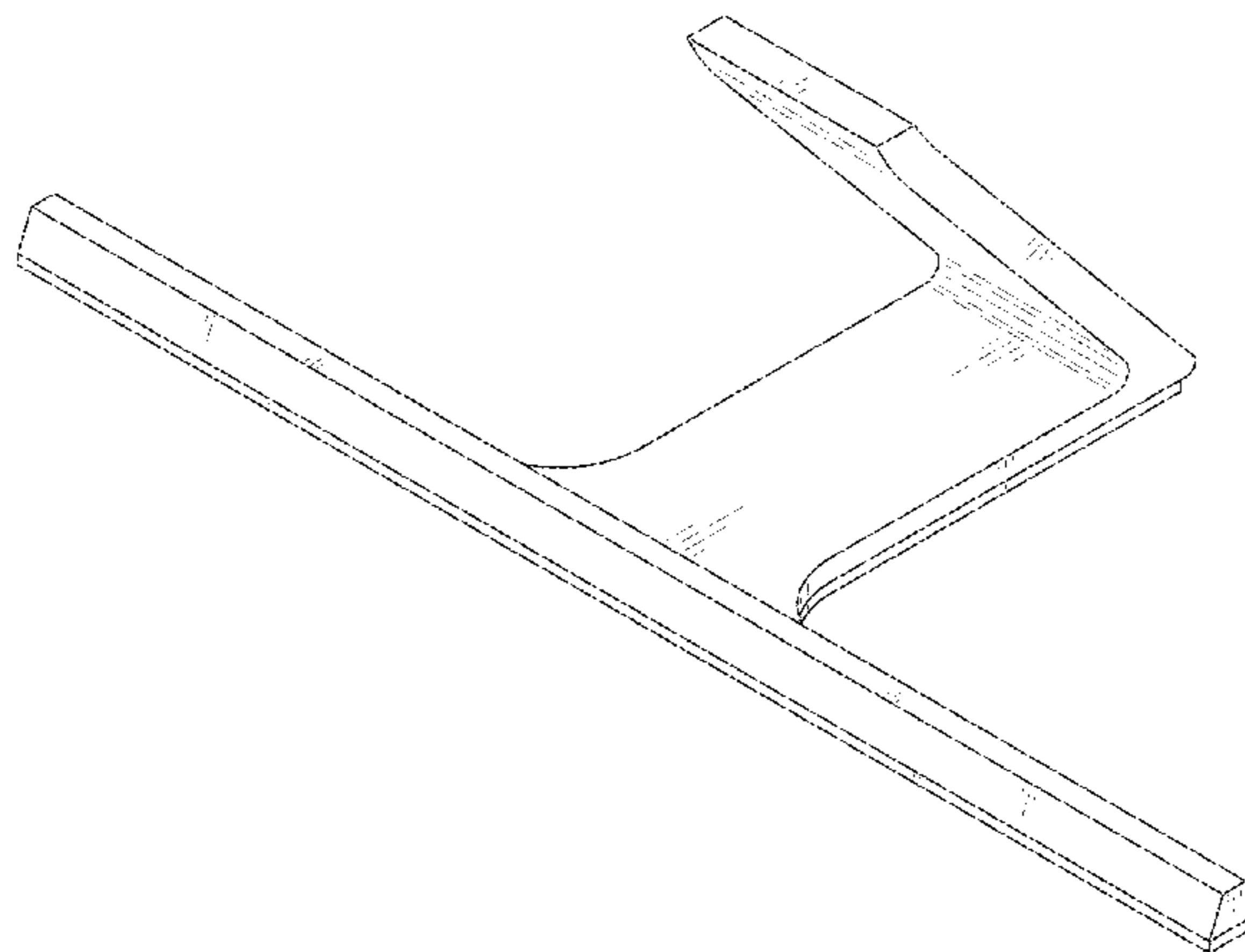
We claim the ornamental design for a stand for computer monitor, as shown and described.

DESCRIPTION

FIG. 1 is a front perspective view of a stand for computer monitor showing our new design;
FIG. 2 is a front view thereof;
FIG. 3 is a rear view thereof;
FIG. 4 is a left-side view thereof;
FIG. 5 is a right-side view thereof;
FIG. 6 is a top view thereof;
FIG. 7 is a bottom view thereof; and,
FIG. 8 is another front perspective view, in which a computer monitor in broken lines is provided to illustrate an example environment.

The broken line showing of the computer monitor in FIG. 8 is for environmental purposes only and forms no part of the claimed design.

1 Claim, 8 Drawing Sheets



US D750,093 S

Page 2

(56)

References Cited

U.S. PATENT DOCUMENTS

D706,734 S * 6/2014 Takami et al. D14/126
D711,333 S * 8/2014 Kim D14/126
D722,068 S * 2/2015 Jung et al. D14/451

D723,012 S * 2/2015 Ann et al. D14/239
D725,087 S * 3/2015 Kim et al. D14/239
D725,616 S * 3/2015 Oh et al. D14/126
D733,084 S * 6/2015 Son et al. D14/126

* cited by examiner

FIG. 1

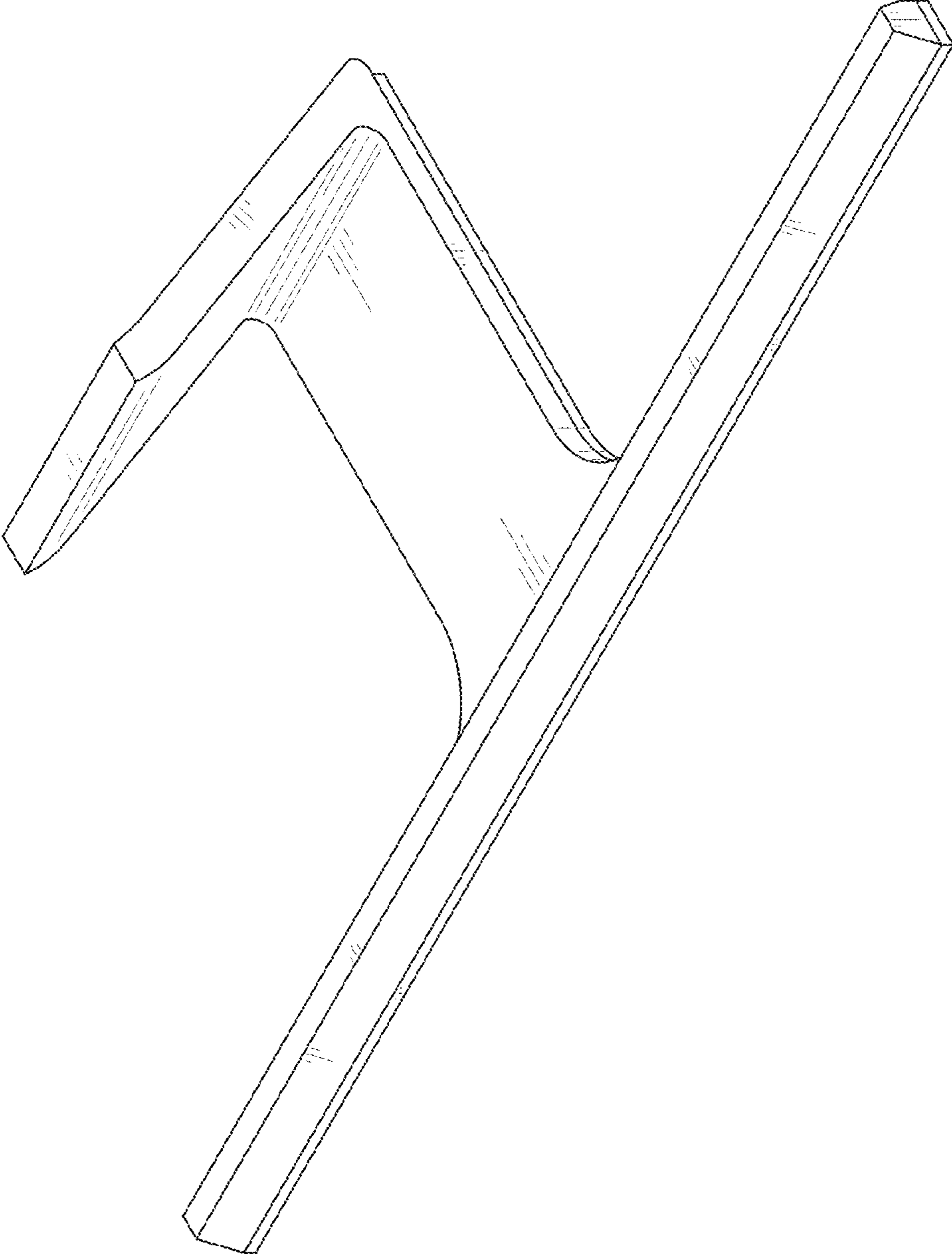


FIG. 2

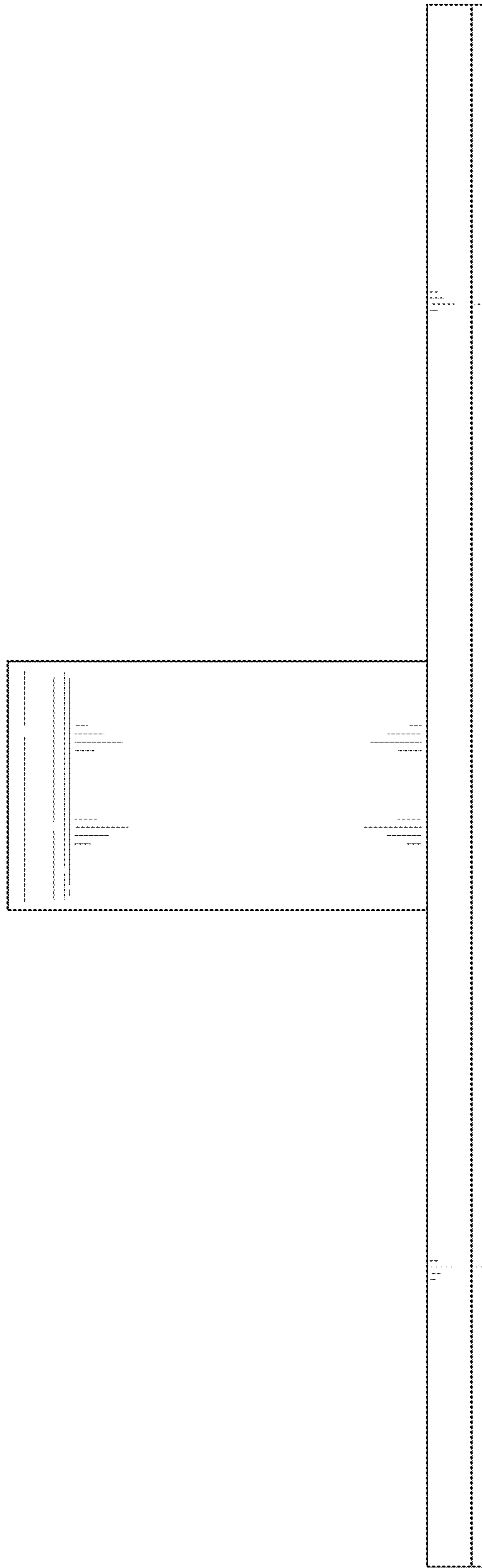


FIG. 3

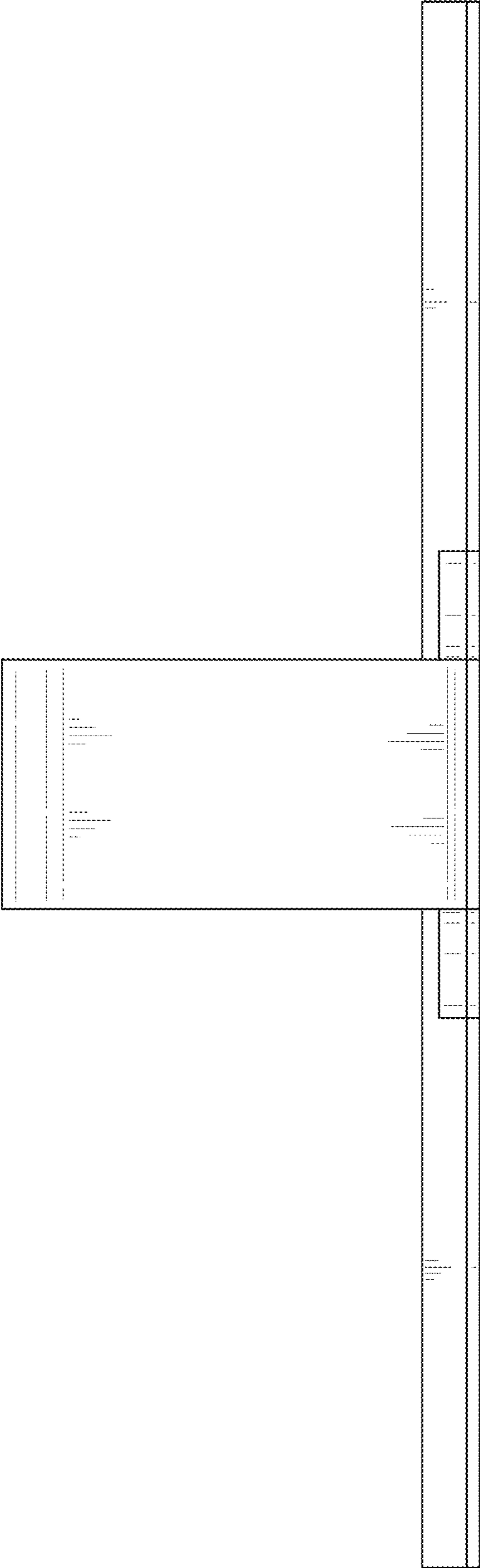


FIG. 4

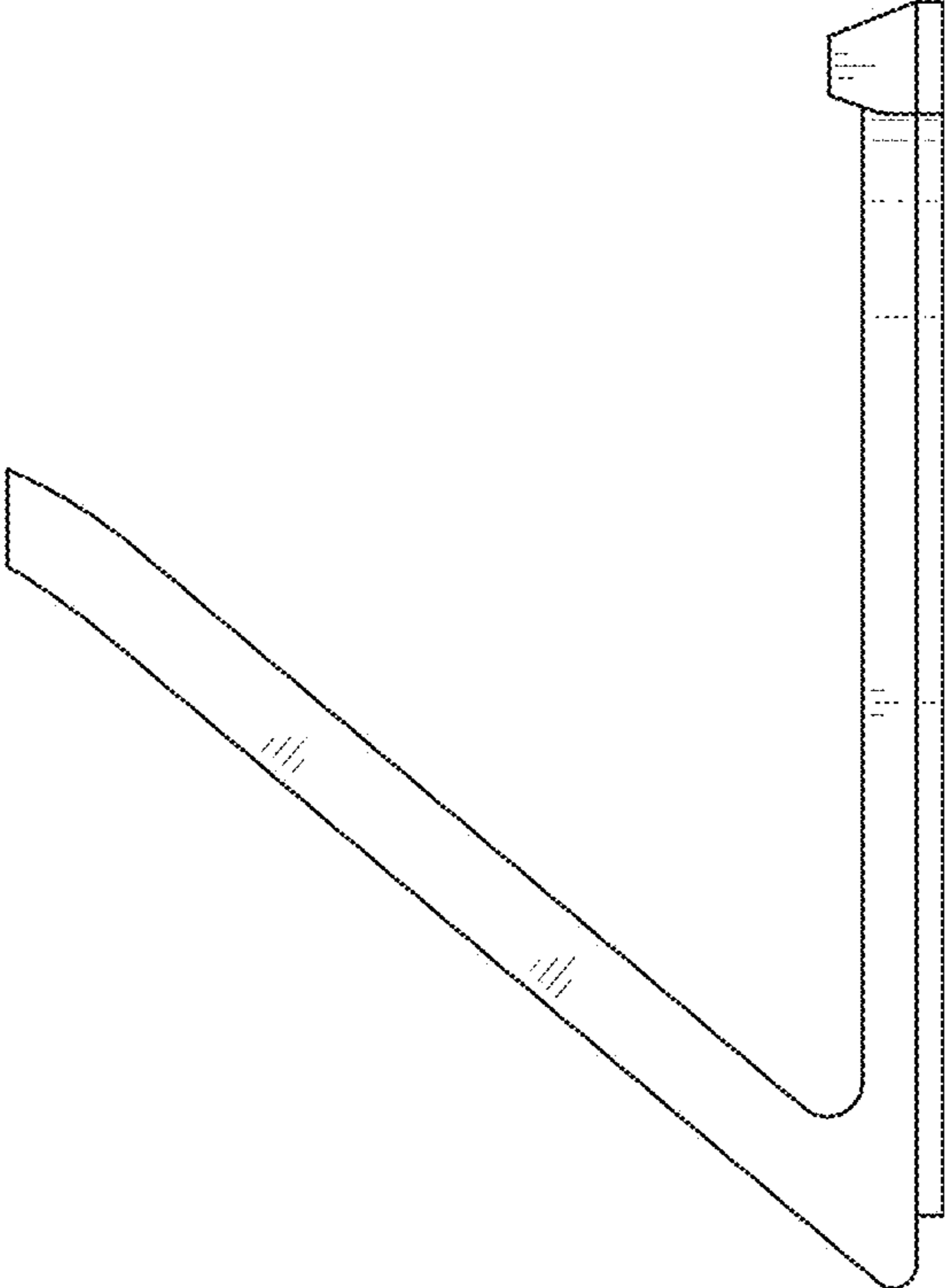


FIG. 5

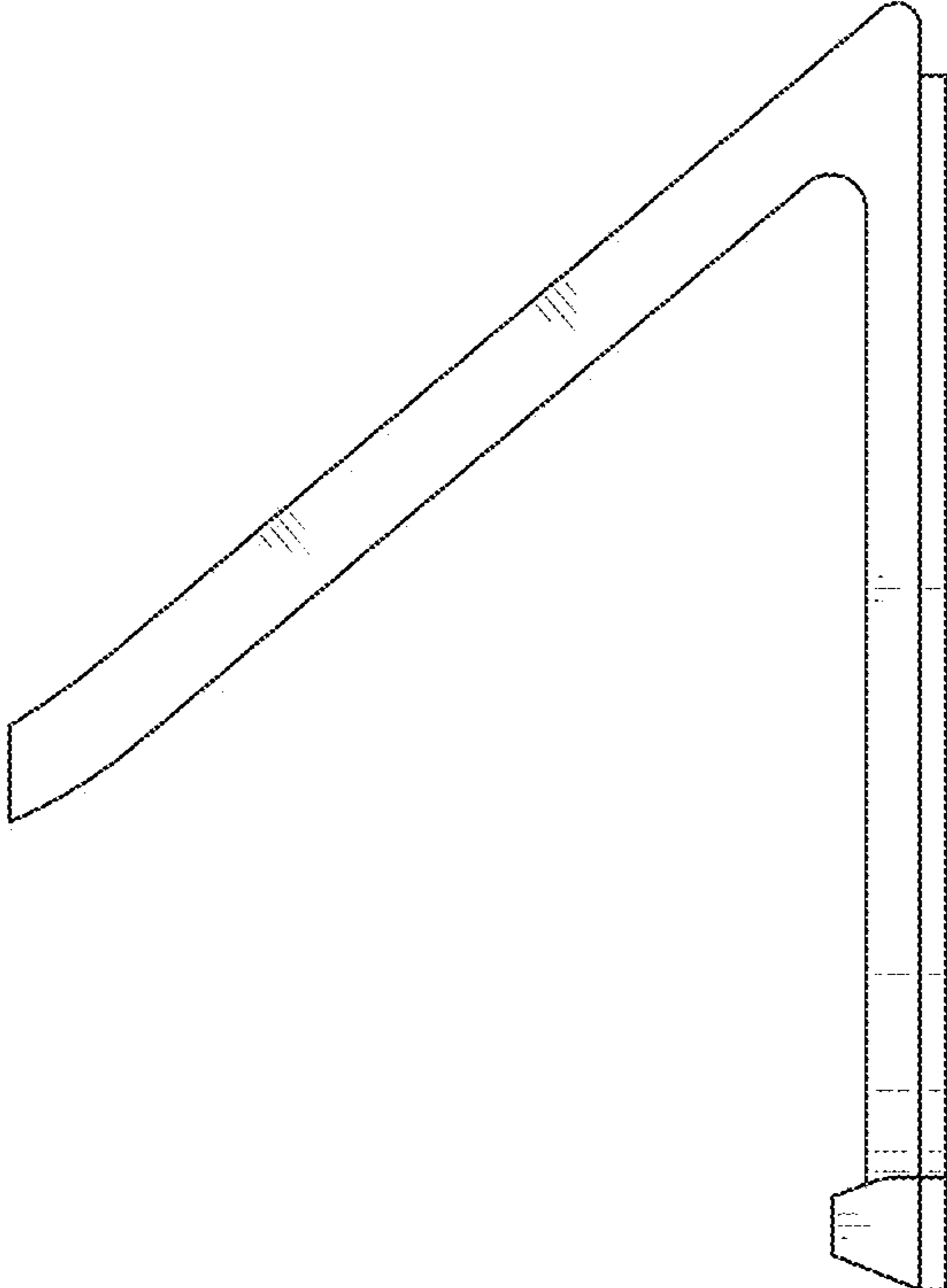


FIG. 6

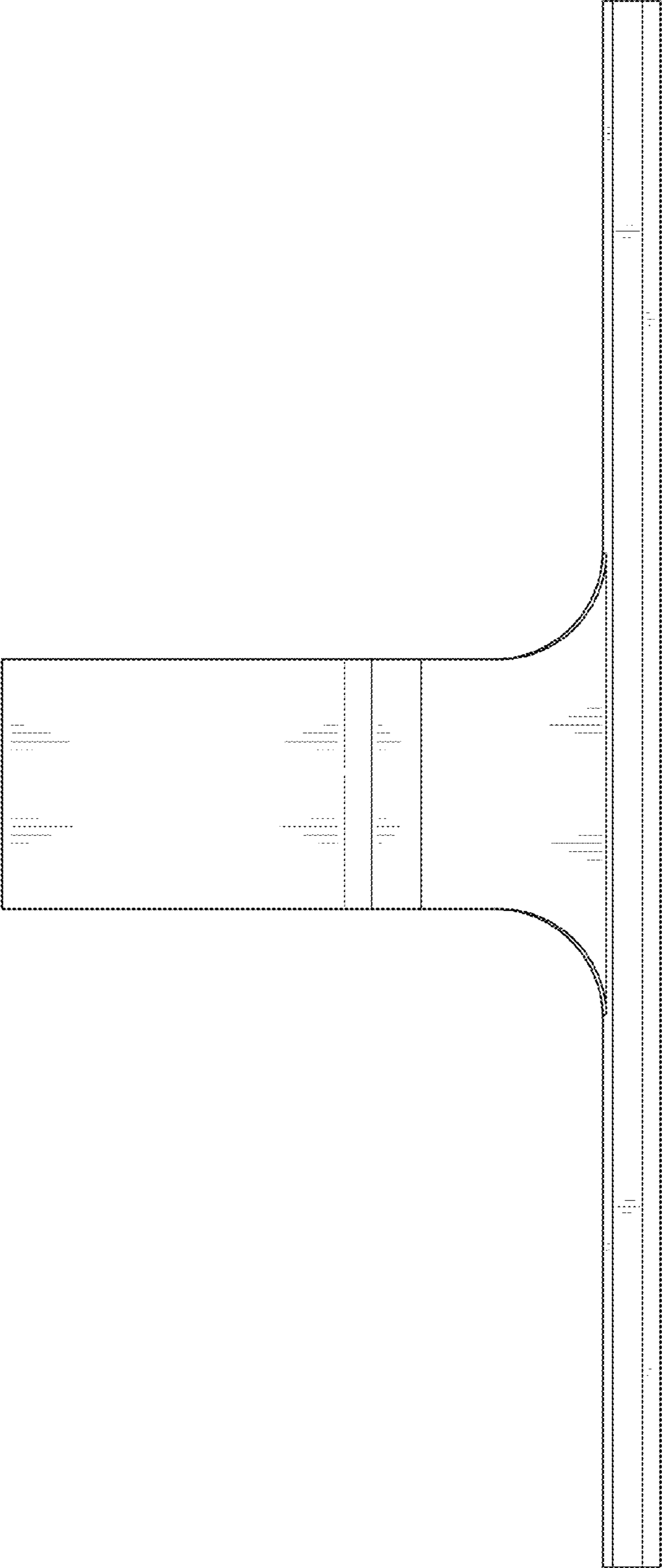


FIG. 7

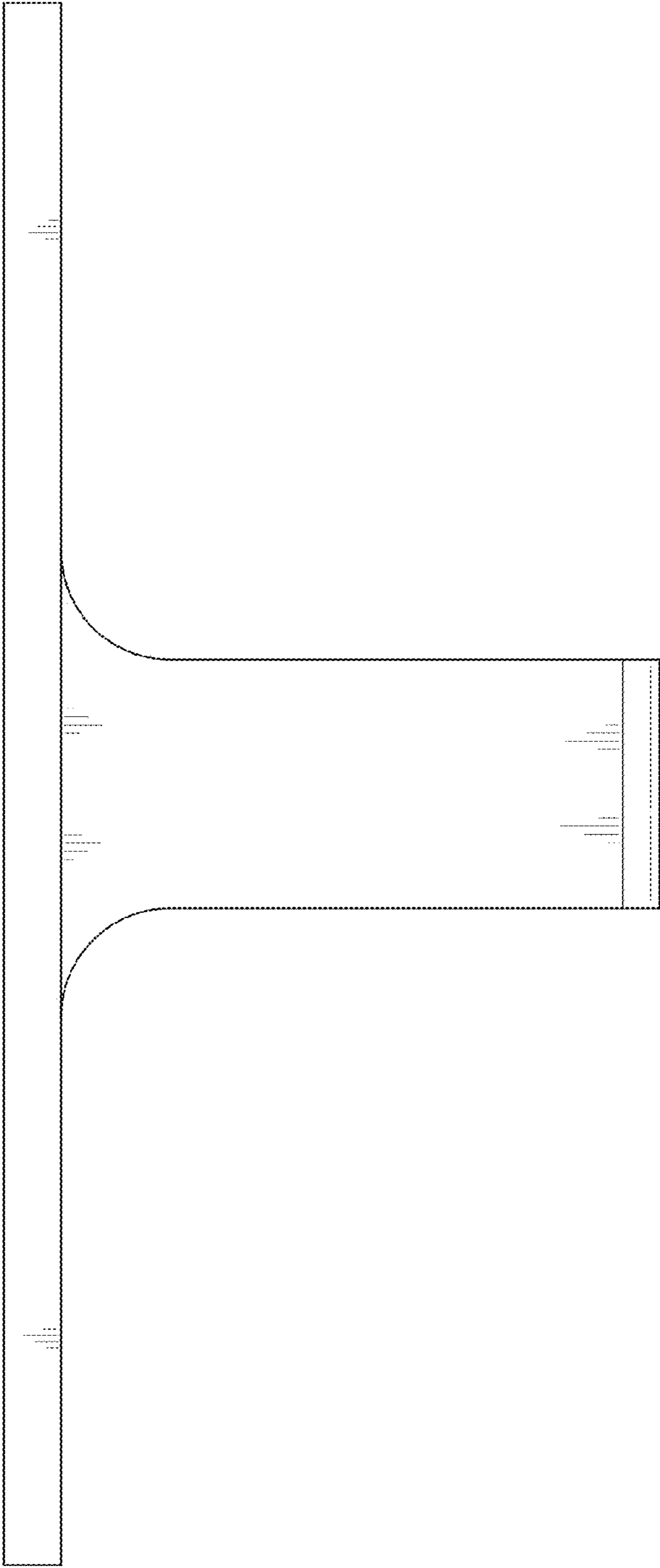


FIG. 8

