



US00D750091S

(12) **United States Design Patent**
Park et al.

(10) **Patent No.:** **US D750,091 S**

(45) **Date of Patent:** **** Feb. 23, 2016**

(54) **DISPLAY DEVICE STAND**

2021/0335; H02G 3/126; F16B 47/00; F16B
47/006; A47G 1/17; A47K 2201/00

(71) Applicant: **Samsung Electronics Co., Ltd.**,
Suwon-si, Gyeonggi-do (KR)

See application file for complete search history.

(72) Inventors: **Hae-Sung Park**, Seoul (KR);
Hyung-Ho Hwangbo, Seoul (KR); **Rina
Shin**, Seoul (KR); **Christopher Edward
Bangle**, Borgata (IT)

(56) **References Cited**

U.S. PATENT DOCUMENTS

3,513,490 A * 5/1970 Wagner A47C 19/021
206/45.2
3,973,281 A * 8/1976 Davis A47C 27/144
297/440.1

(73) Assignee: **SAMSUNG ELECTRONICS CO.,
LTD.** (KR)

(Continued)

(**) Term: **14 Years**

OTHER PUBLICATIONS

(21) Appl. No.: **29/479,756**

“13" X 39" Wood Frame—Natural.” Puzzle Warehouse. Jan. 20,
2013. Web. Sep. 16, 2015. <<http://www.puzzlewarehouse.com/13-x-39-Wood-Frame-Natural-50905mp-cb.html>>.*

(22) Filed: **Jan. 20, 2014**

Primary Examiner — Deanna L Pratt

Assistant Examiner — Katie Mroczka

(30) **Foreign Application Priority Data**

(74) *Attorney, Agent, or Firm* — Cantor Colburn LLP

Aug. 1, 2013 (KR) 30-2013-0039890

(51) **LOC (10) Cl.** **08-07**

(57) **CLAIM**

The ornamental design for a display device stand, as shown
and described.

(52) **U.S. Cl.**

USPC **D14/451**

DESCRIPTION

(58) **Field of Classification Search**

USPC D14/371–375, 125–129, 336, 337, 448,
D14/451, 452, 492, 376–382, 450, 239;
341/12; D6/300, 311–313, 308, 708,
D6/310; 348/180, 184, 325, 739; D19/2;
361/679.05–679.07, 679.21

FIG. 1 is a perspective view of a display device stand, show-
ing our new design;
FIG. 2 is a front view thereof;
FIG. 3 is a rear view thereof;
FIG. 4 is a side view thereof;
FIG. 5 is another side view thereof;
FIG. 6 is a top plan view thereof;
FIG. 7 is a bottom plan view thereof;
FIG. 8 is a rear perspective view thereof; and,
FIG. 9 is another perspective view thereof as shown in a
display panel environment.

CPC G06F 3/0412; G06F 3/016; G06F 3/0488;
G06F 3/011; G06F 3/038; G06F 3/03543;
G06F 3/0338; G06F 3/0202; G06F 3/0219;
G06F 3/0213; G06F 1/1616; G06F 3/023;
G06F 3/04883; G06F 349/11; G06F 349/62;
G02F 1/13338; G02F 1/1313; G02F 1/1333;
G02F 1/135; G02F 1/132; G02F 1/133308;
G02F 1/134309; G02F 1/13718; G09G
3/3648; G06K 15/1252; B41J 2/465; G03F
7/70291; G02B 27/0172; G02B 5/30; F16M
13/02; F16M 13/00; F16M 11/10; F16M
11/04; F16M 2200/08; F16M 11/2021;
A47B 21/0314; A47B 88/044; A47B

The broken lines in FIGS. 1-8 show portions of the display
device stand which form no part of the claimed design. The
broken line showing of the monitor in FIG. 9 is for environ-
mental purposes only and forms no part of the claimed design.
The shade lines in the figures show contour and not surface
ornamentation.

1 Claim, 8 Drawing Sheets

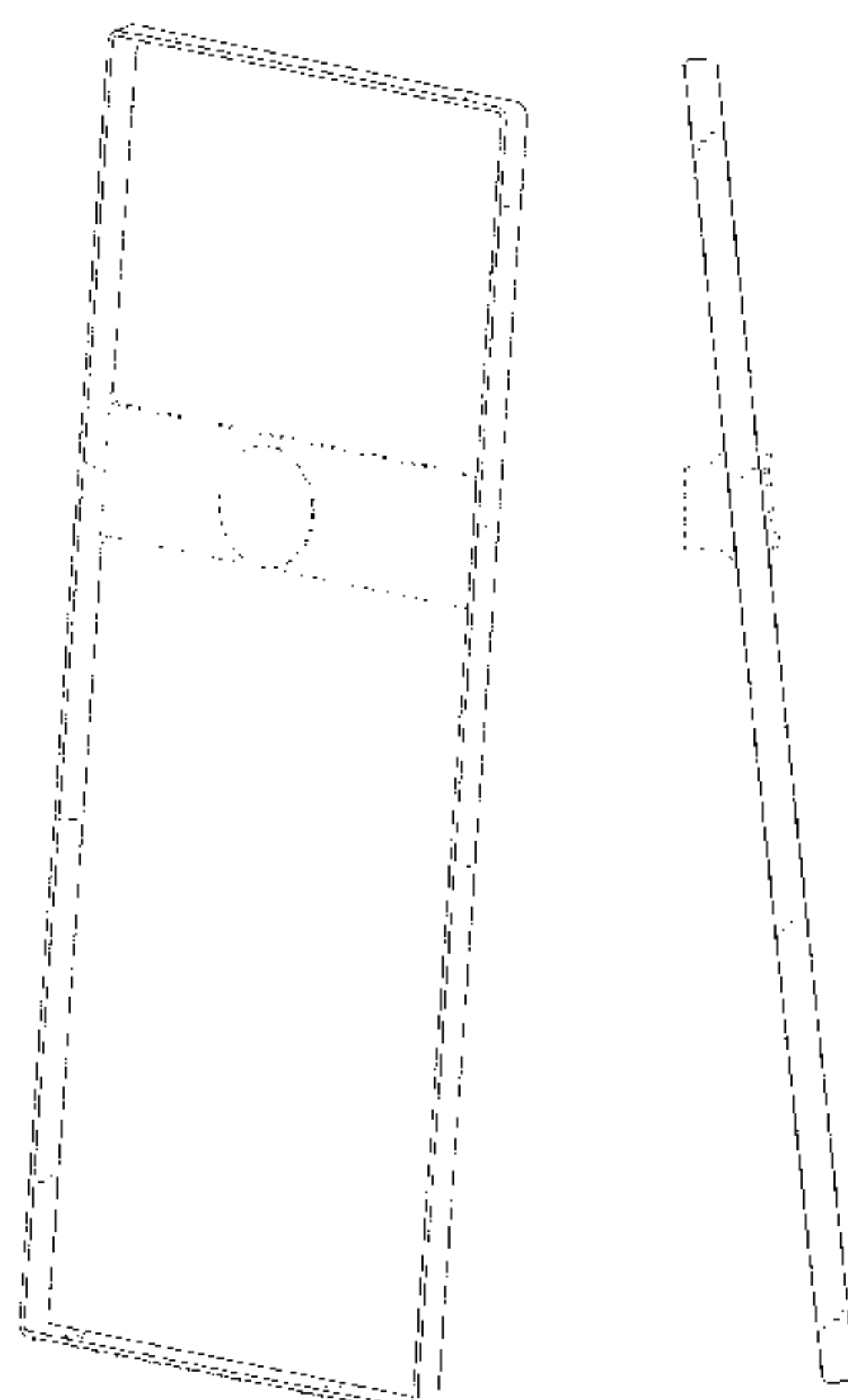


FIG. 1

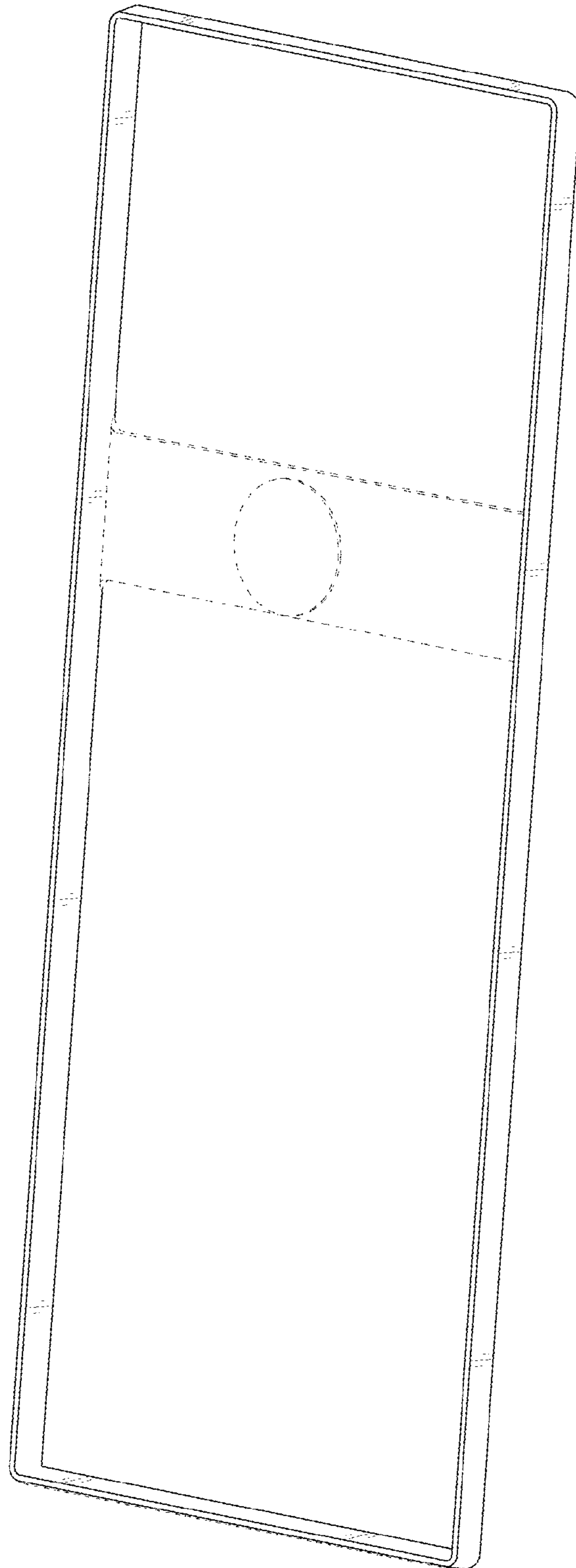


FIG. 2

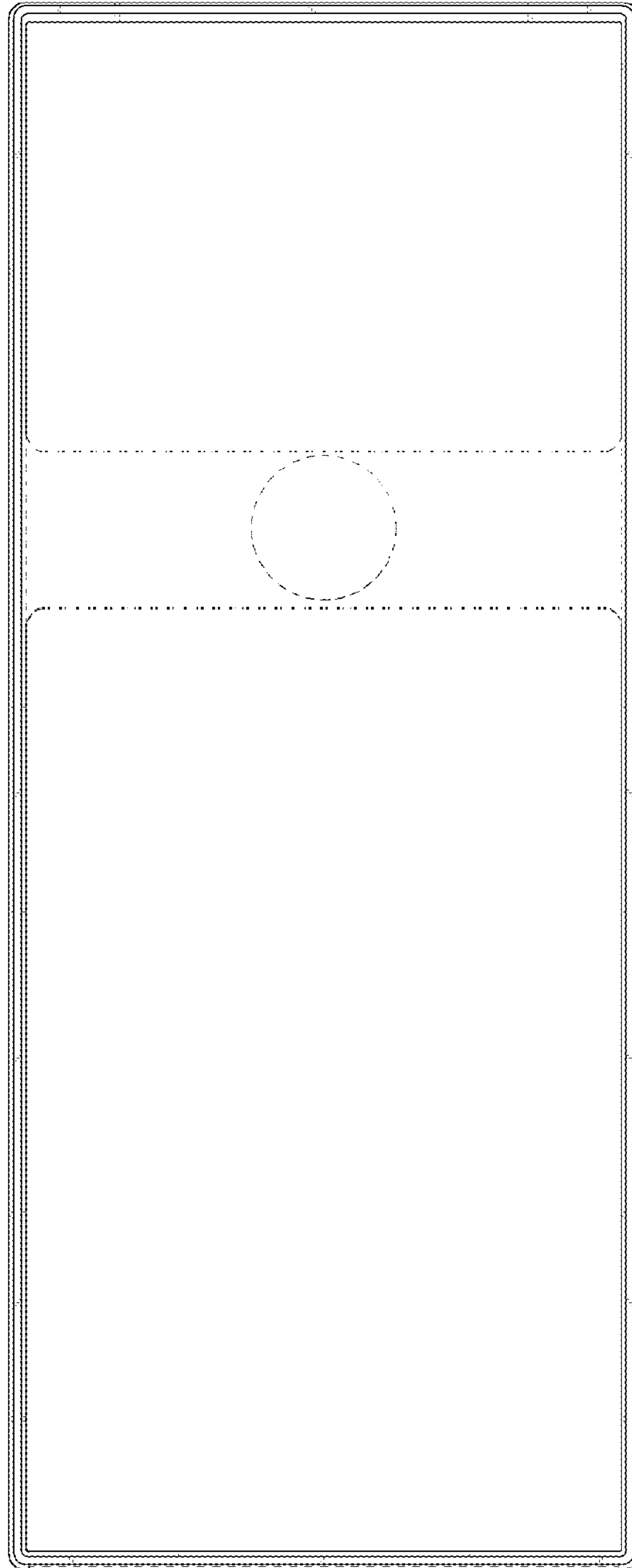


FIG. 3

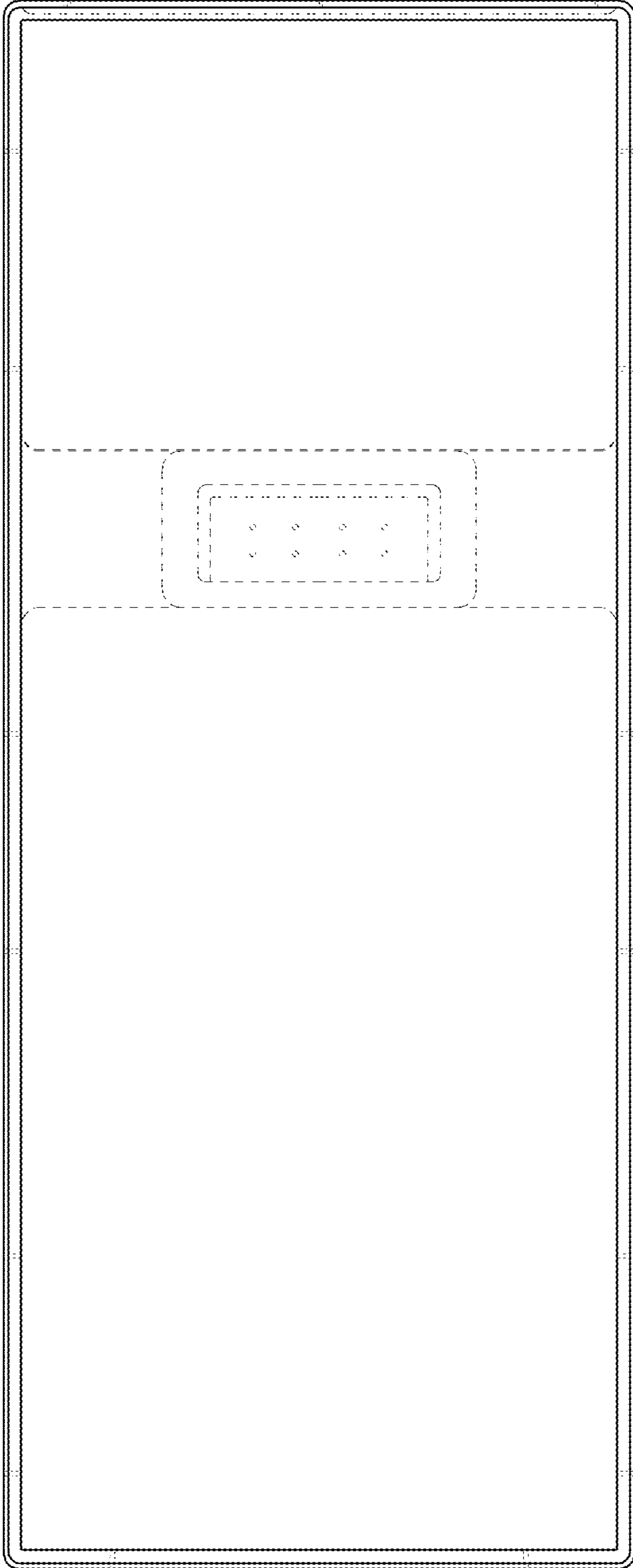


FIG. 4

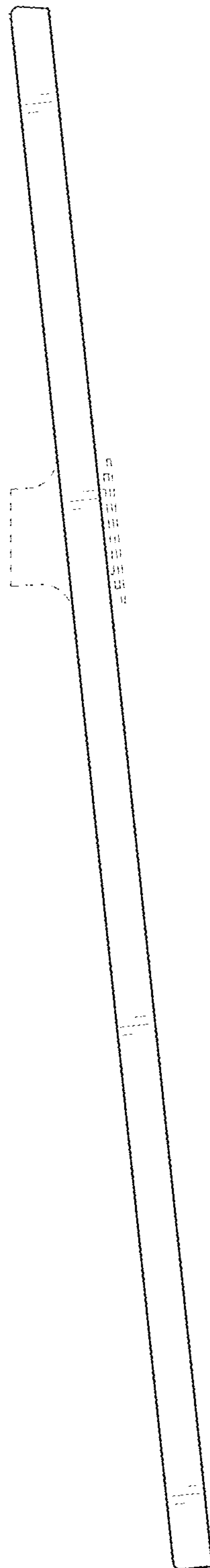


FIG. 5

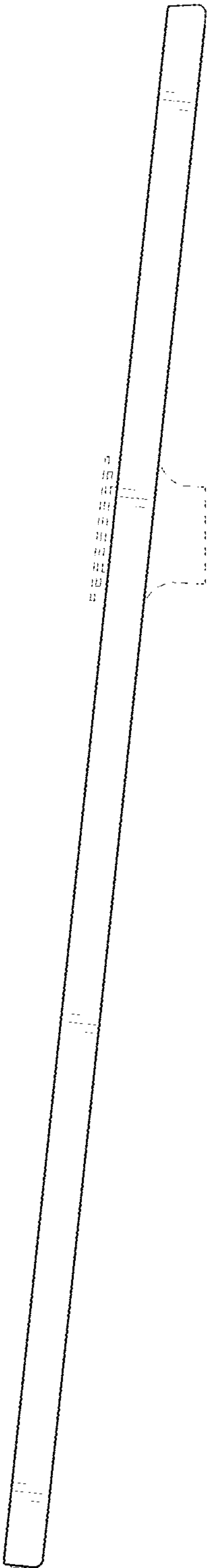


FIG. 6

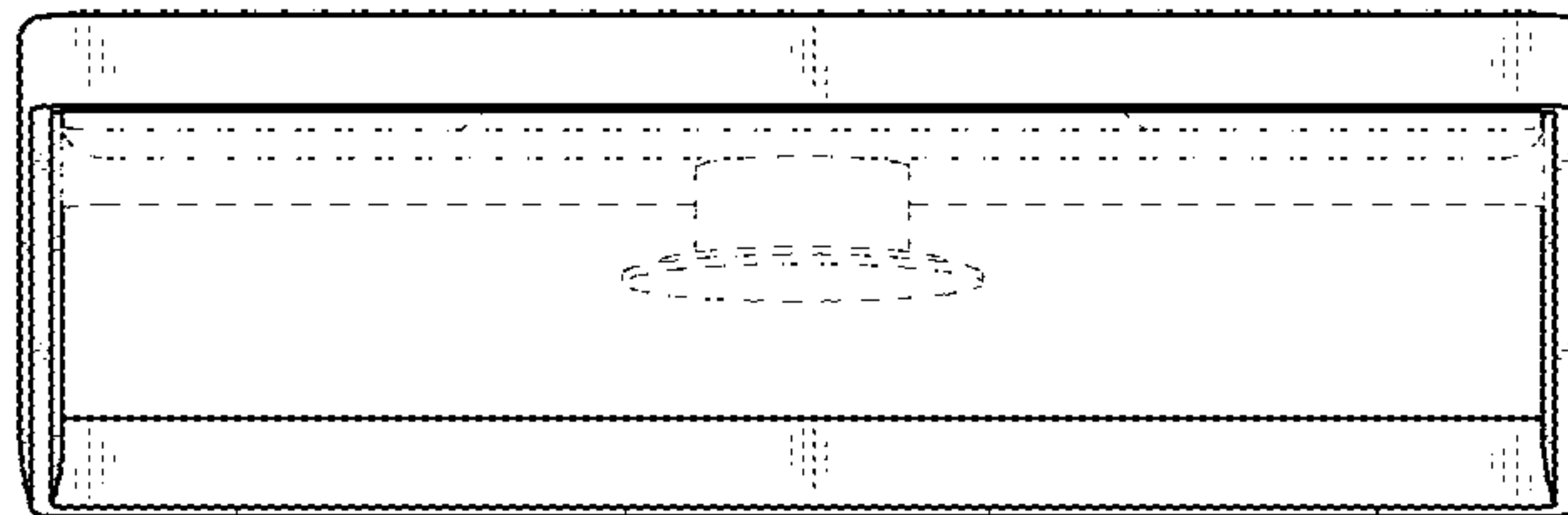


FIG. 7

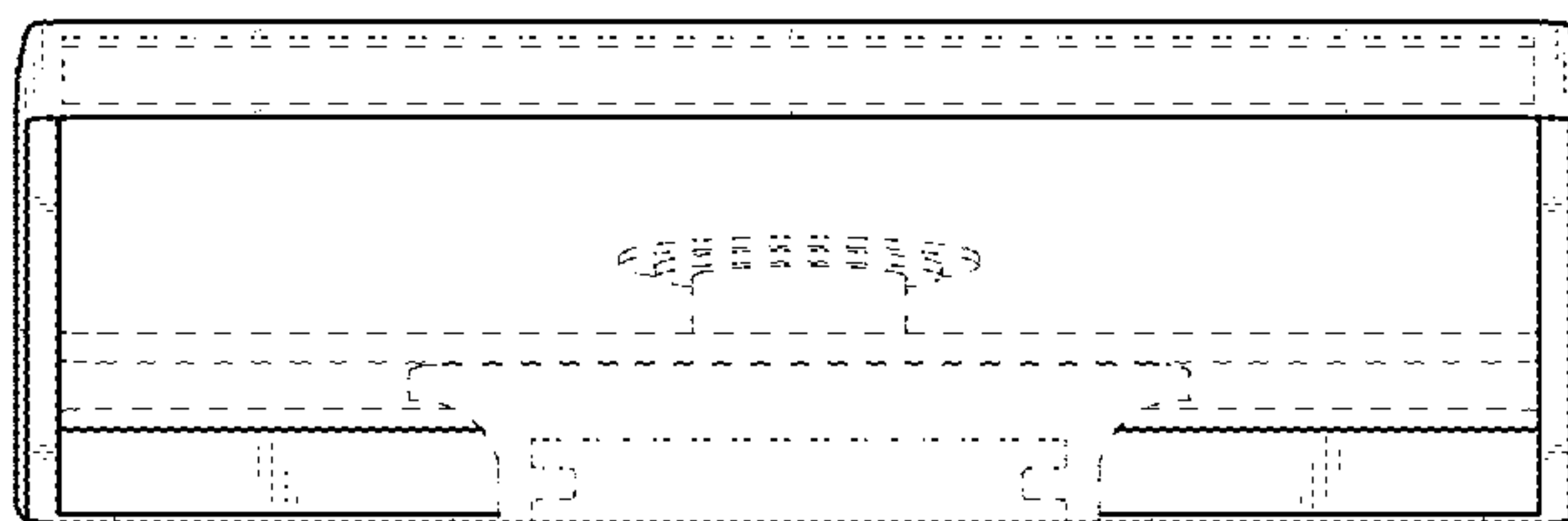


FIG. 8

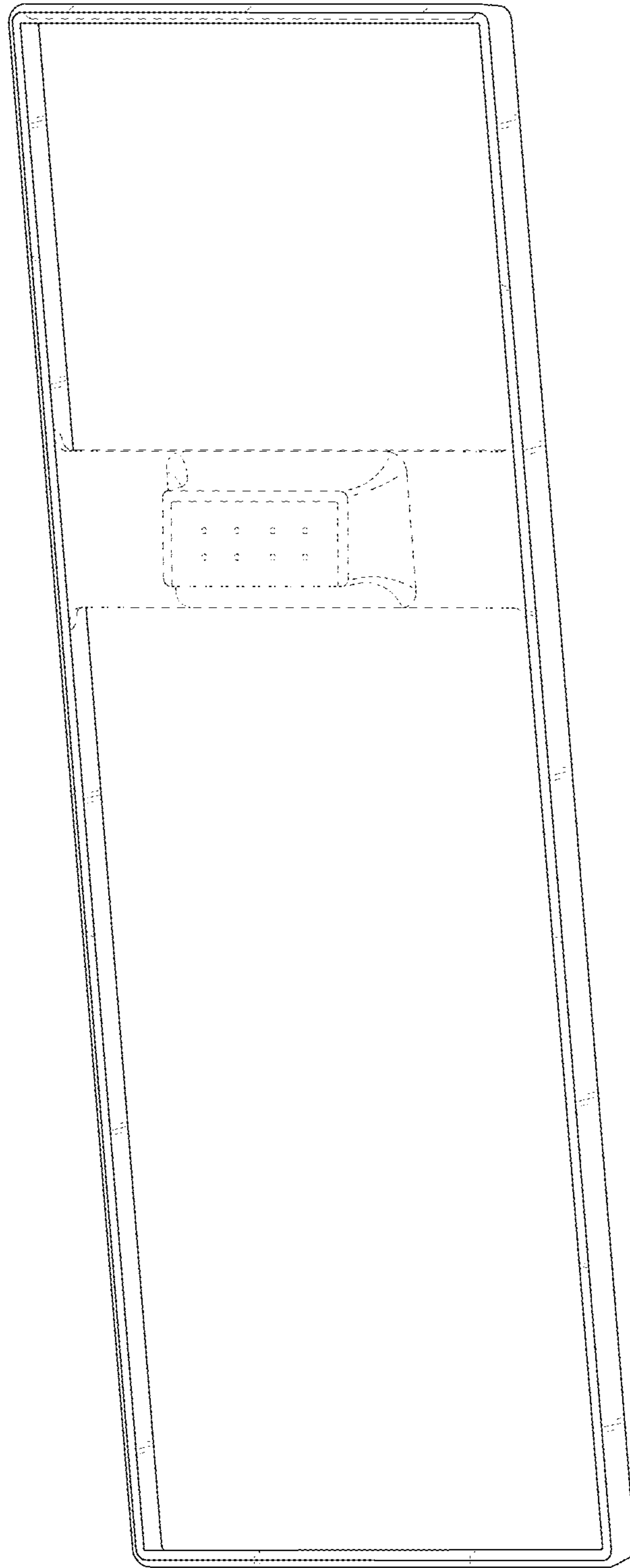


FIG. 9

