



US00D750090S

(12) **United States Design Patent**  
**Love**

(10) **Patent No.:** **US D750,090 S**

(45) **Date of Patent:** **\*\* Feb. 23, 2016**

(54) **ANTI GLARE SHADE FOR A PORTABLE GPS DEVICE**

(56) **References Cited**

(71) Applicant: **Keith Love**, Beaufort, SC (US)

(72) Inventor: **Keith Love**, Beaufort, SC (US)

(\*\*) Term: **14 Years**

(21) Appl. No.: **29/488,881**

(22) Filed: **Apr. 24, 2014**

(51) **LOC (10) Cl.** ..... **14-02**

(52) **U.S. Cl.**  
USPC ..... **D14/449**

(58) **Field of Classification Search**

USPC ..... D14/371–382, 125–129, 336, 337,  
D14/447–452, 492, 335, 239, 457, 439–441,  
D14/432, 251–253; D8/349, 354, 363, 373,  
D8/376, 380; 348/180, 184, 325, 739, 825;  
D12/407, 415; D3/218; 341/12;  
359/601, 609, 312, 608; D10/10, 39,  
D10/49, 65, 70, 74, 98  
CPC ..... G06F 3/0412; G06F 3/016; G06F 3/0488;  
G06F 3/011; G06F 3/038; G06F 3/03543;  
G06F 3/0338; G06F 3/0202; G06F 3/0219;  
G06F 3/0213; G06F 1/1616; G06F 3/023;  
G06F 3/04883; G02F 1/13338; G02F 1/1313;  
G02F 1/1333; G02F 1/135; G02F 1/132;  
G02F 1/133308; G02F 1/134309; G02F  
1/13718; G09G 3/3648; G06K 15/1252;  
B41J 2/465; G03F 7/70291; G02B 27/0172;  
G02B 5/30; G02B 2027/0118; G02B 27/0101;  
F16M 13/02; F16M 13/00; F16M 11/10;  
F16M 11/04; F16M 2200/08; F16M 11/2021;  
A47B 21/0314; A47B 88/044; A47B  
2021/0335; H02G 3/126; F16B 47/00; F16B  
47/006; A47G 1/17; A47K 2201/00

See application file for complete search history.

U.S. PATENT DOCUMENTS

|           |     |         |                    |       |         |
|-----------|-----|---------|--------------------|-------|---------|
| 5,237,453 | A * | 8/1993  | Jones              | ..... | 359/601 |
| 5,243,463 | A   | 9/1993  | Waintroob          |       |         |
| D375,730  | S * | 11/1996 | Chen               | ..... | D14/449 |
| D379,178  | S * | 5/1997  | Kane               | ..... | D14/449 |
| D385,543  | S * | 10/1997 | Phirippidis et al. | ..... | D14/449 |
| D409,992  | S * | 5/1999  | Mockett            | ..... | D14/451 |
| D411,753  | S * | 6/1999  | Jobin              | ..... | D99/43  |
| D496,938  | S * | 10/2004 | Ozolins et al.     | ..... | D14/375 |
| D497,167  | S * | 10/2004 | Ozolins et al.     | ..... | D14/375 |
| D514,582  | S * | 2/2006  | Dulberger          | ..... | D14/449 |
| 7,553,034 | B1  | 6/2009  | Liou et al.        |       |         |
| D610,381  | S * | 2/2010  | Stifal             | ..... | D6/513  |
| D611,473  | S * | 3/2010  | Lee                | ..... | D14/371 |
| D659,426  | S * | 5/2012  | Arko et al.        | ..... | D6/700  |
| 8,511,626 | B1  | 8/2013  | Trinh et al.       |       |         |
| D716,787  | S * | 11/2014 | Takabatake         | ..... | D14/252 |

\* cited by examiner

*Primary Examiner* — Deanna L Pratt

*Assistant Examiner* — Katie Mroczka

(74) *Attorney, Agent, or Firm* — Crossley Patent Law

(57) **CLAIM**

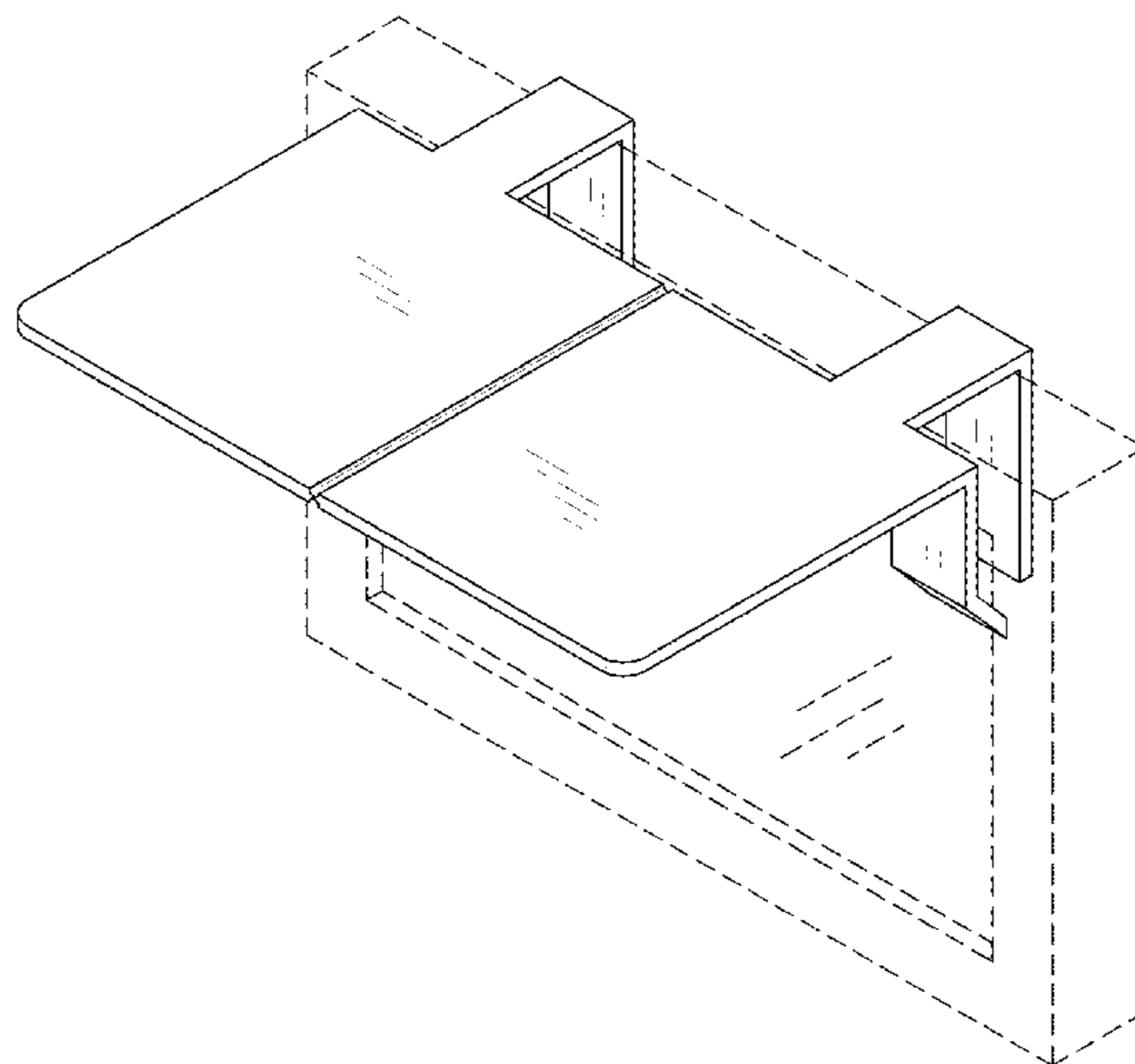
The ornamental design for an anti glare shade for a portable GPS device, as shown and described.

**DESCRIPTION**

FIG. 1 is a top plan view of an anti glare shade for a portable GPS device showing my new design; FIG. 2 is a bottom plan view thereof; FIG. 3 is a left side elevation view thereof, the opposite side being a mirror image of the shown; FIG. 4 is a rear elevation view thereof; FIG. 5 is a front elevation view thereof; and, FIG. 6 is an isometric view thereof.

The broken lines in FIG. 6 of the drawings depict a portable GPS device as environmental subject matter only and form no part of the claimed design.

**1 Claim, 5 Drawing Sheets**



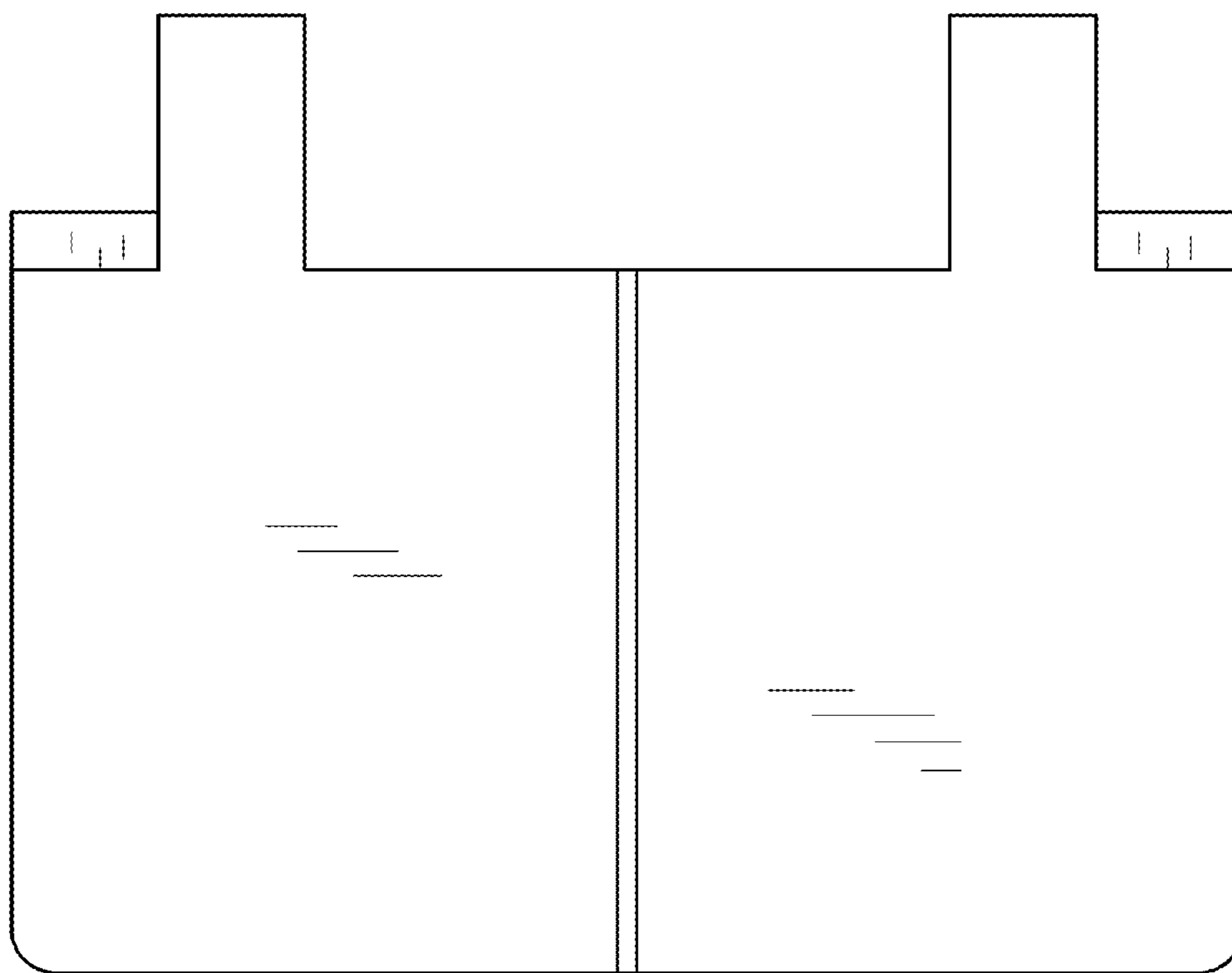


FIG. 1

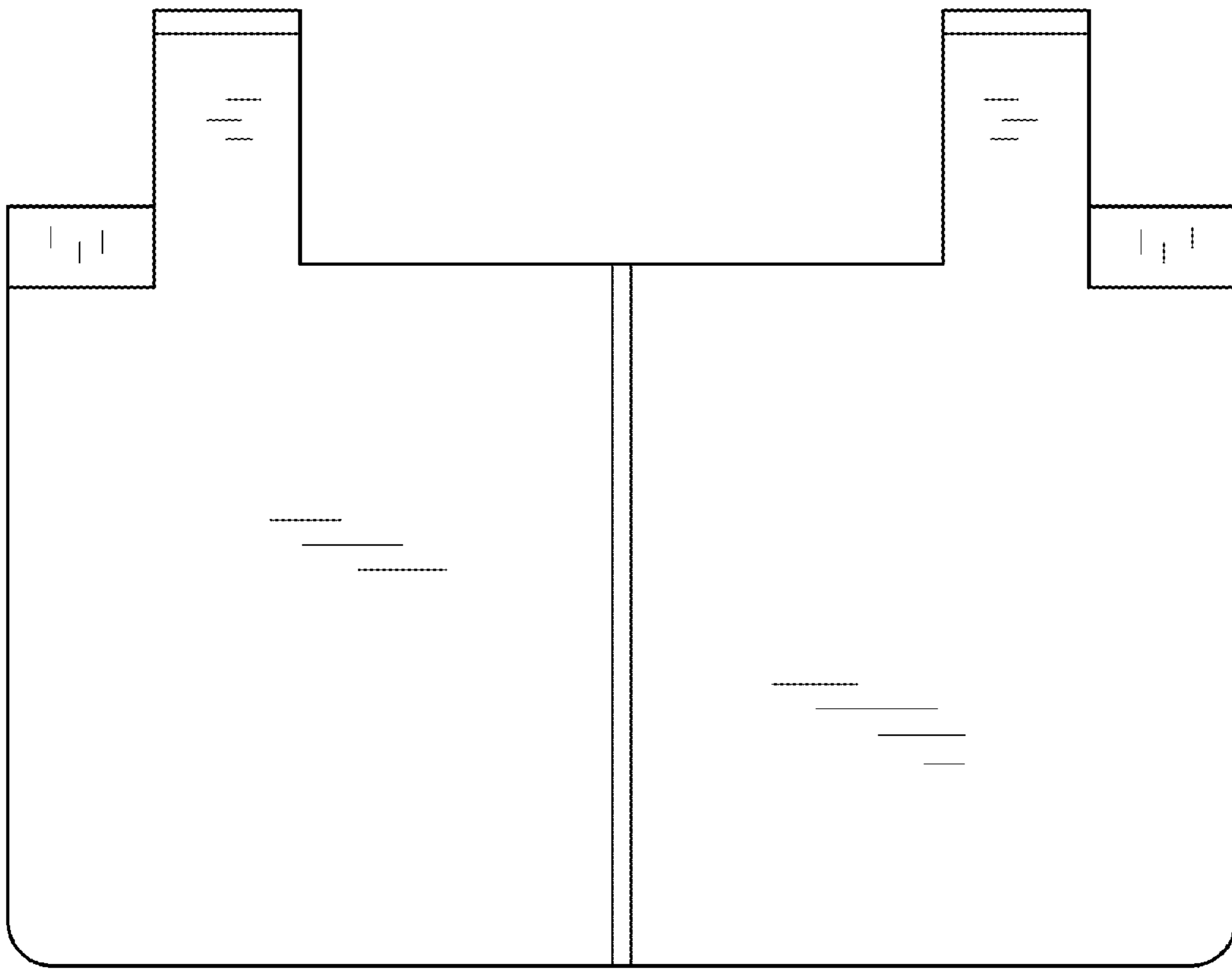


FIG. 2

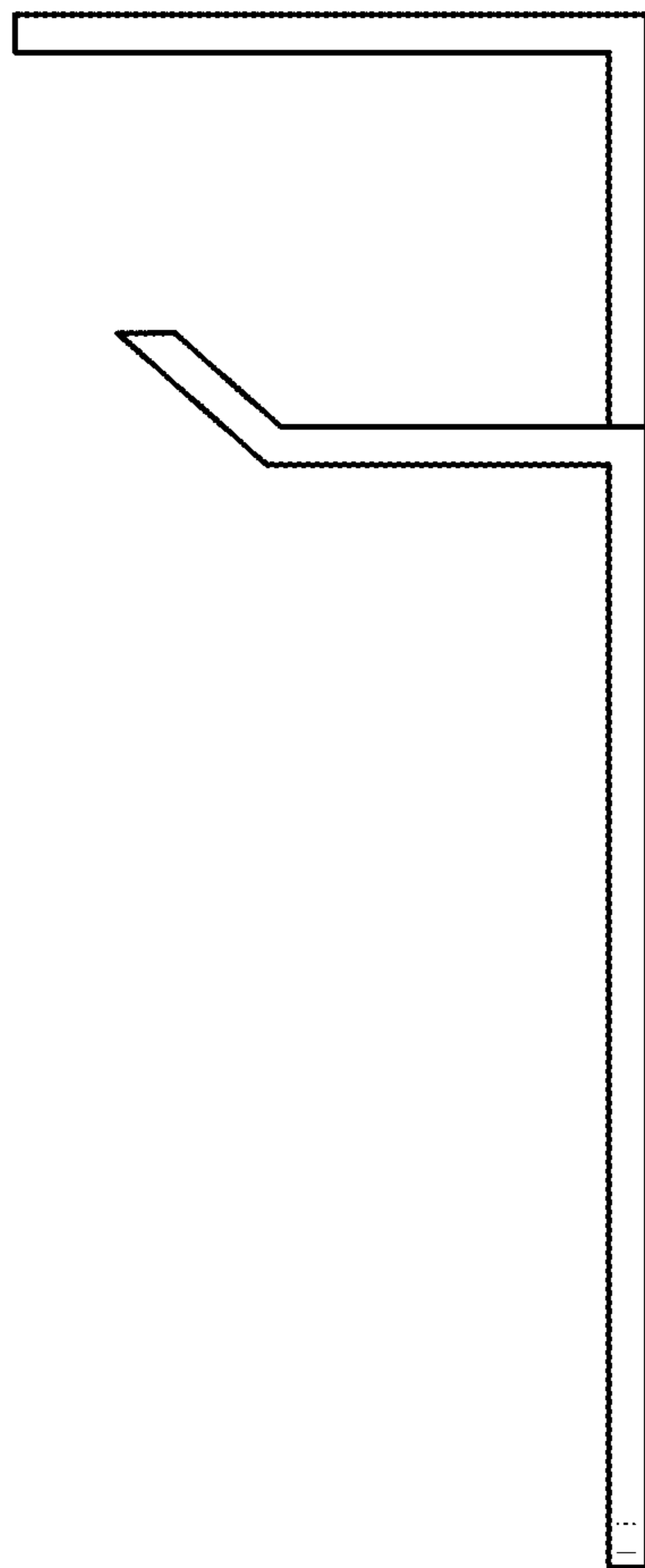


FIG. 3

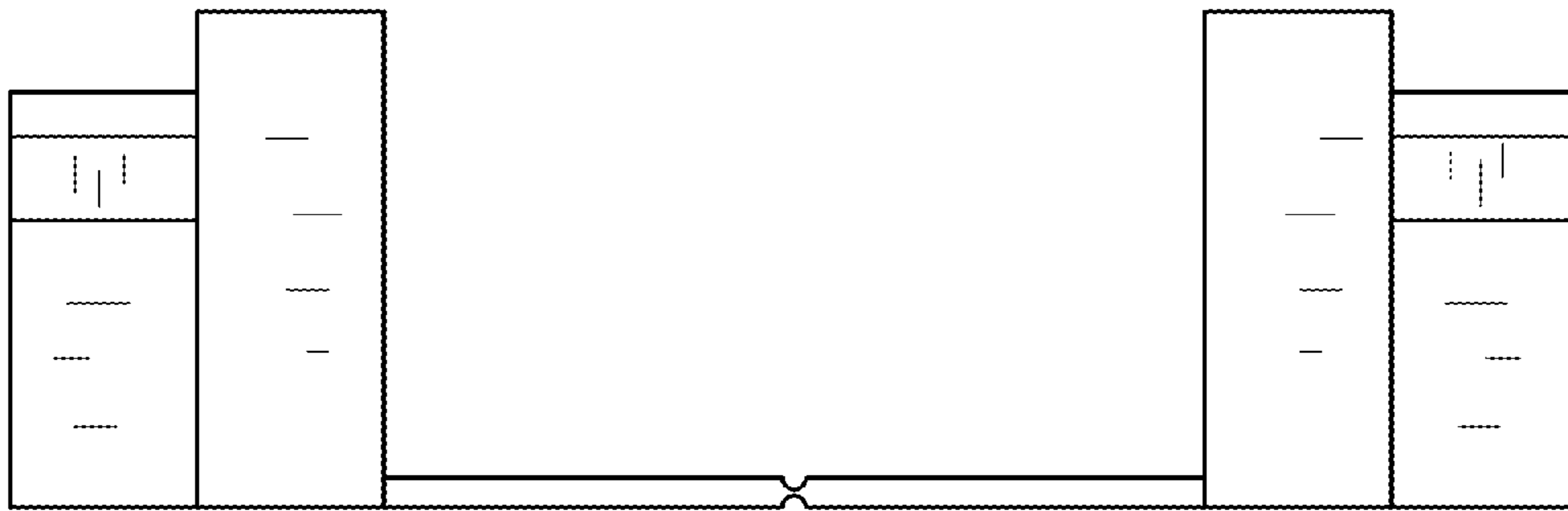


FIG. 4

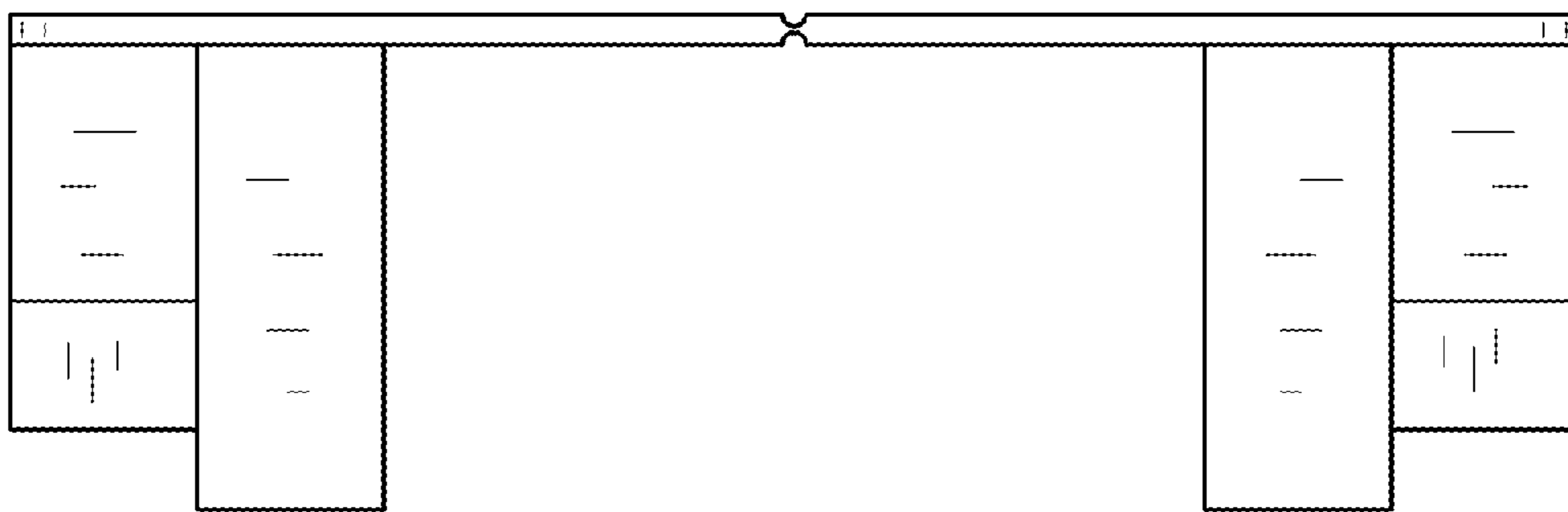


FIG. 5

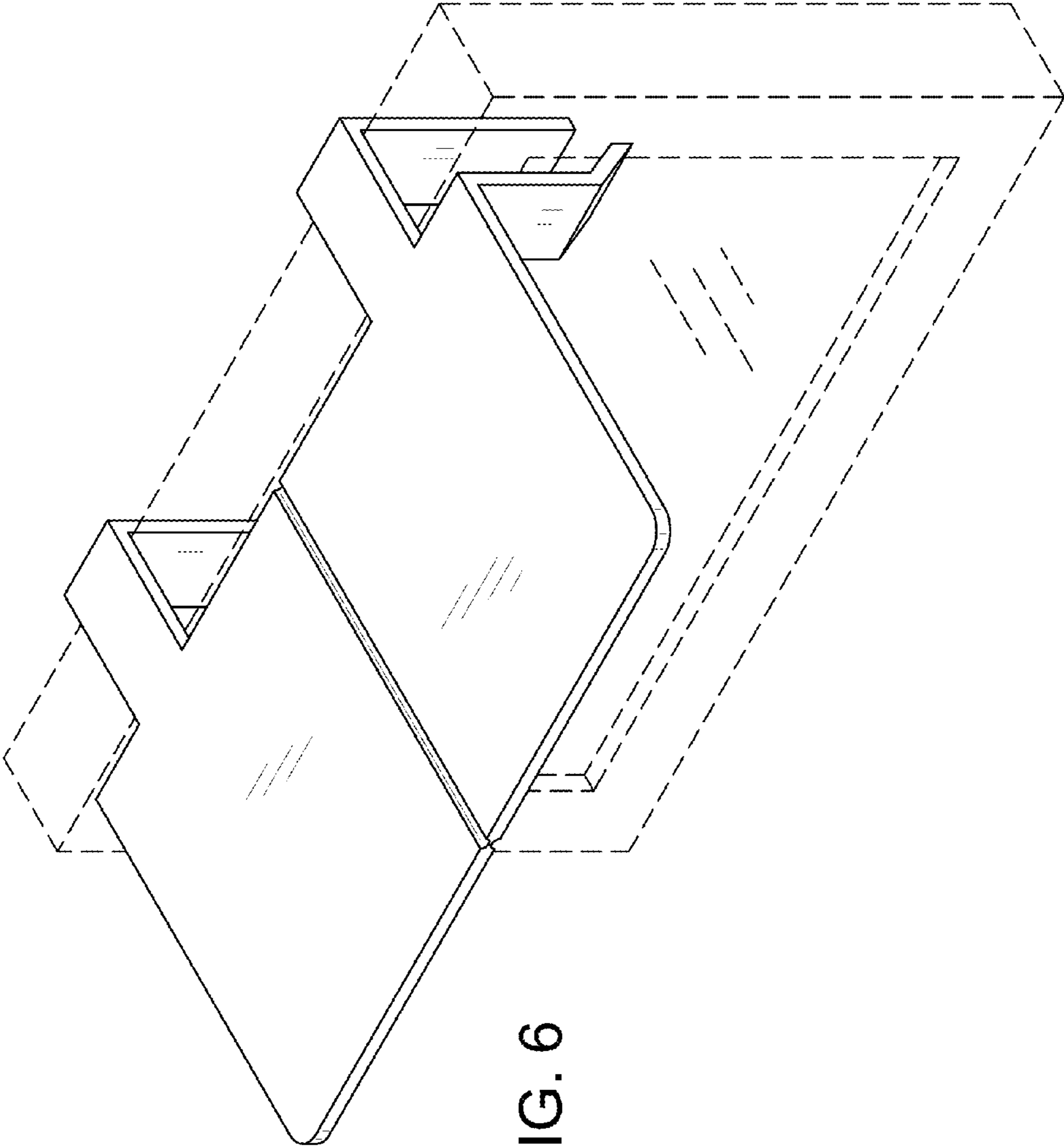


FIG. 6