



US00D750089S

(12) **United States Design Patent**
Langhein

(10) **Patent No.:** **US D750,089 S**

(45) **Date of Patent:** **** Feb. 23, 2016**

(54) **TABLET COMPUTER STAND**

(71) Applicant: **FLB Group Limited**, Edinburgh (GB)

(72) Inventor: **Julia Elsa Langhein**, London (GB)

(73) Assignee: **FLB GROUP LIMITED**, Edinburgh (GB)

(**) Term: **15 Years**

(21) Appl. No.: **29/538,610**

(22) Filed: **Sep. 4, 2015**

(30) **Foreign Application Priority Data**

Aug. 17, 2015 (EM) 001438840

Aug. 17, 2015 (EM) 002755637

(51) **LOC (10) Cl.** **08-07**

(52) **U.S. Cl.**
USPC **D14/447**

(58) **Field of Classification Search**
USPC D14/447, 432, 434, 439, 440, 451, 452,
D14/457, 250, 251, 253; D3/218; D6/406.3,
D6/406.4, 406.5, 406.6
CPC A45C 2011/0003; A45C 2011/002;
A45C 13/002; A47B 2023/049; A47B
2097/005; A47B 2097/006; A47B 21/04;
A47B 23/00; A47B 23/043; A47B 2021/0307;
A47B 2023/005; F16M 2200/00; H04B
1/3888; H04M 1/04; H04M 1/185
See application file for complete search history.

(56) **References Cited**

U.S. PATENT DOCUMENTS

- D513,008 S * 12/2005 Takizawa D14/447
- 7,281,698 B2 10/2007 Patterson, Jr.
- D639,816 S * 6/2011 Bau D14/447
- D650,783 S * 12/2011 Ausfeld D13/107
- D660,305 S 5/2012 Ho et al.
- D670,703 S * 11/2012 Hasbrook D14/447
- D672,146 S 12/2012 Fathollahi
- D672,353 S 12/2012 Liu
- 8,328,008 B2 12/2012 Diebel et al.
- D674,803 S 1/2013 Westrup
- D676,055 S 2/2013 Izen et al.
- D676,854 S 2/2013 Hsu et al.
- 8,382,059 B2 2/2013 Le Gette et al.

- D677,261 S * 3/2013 Hsu D14/447
- D678,886 S * 3/2013 Heckler D14/447
- D687,832 S * 8/2013 Edwards D14/447
- D688,670 S * 8/2013 Huang D14/447
- D689,502 S 9/2013 Belitz et al.
- D690,305 S 9/2013 Wen
- 8,607,976 B2 12/2013 Wu et al.
- 8,708,140 B2 4/2014 Liu
- D707,229 S 6/2014 Almodova
- 8,746,449 B2 6/2014 Gallagher et al.
- 8,763,795 B1 7/2014 Oten et al.
- 8,800,763 B2 8/2014 Hale
- D712,412 S 9/2014 Bleau et al.
- D712,413 S 9/2014 Fukai
- D722,059 S 2/2015 Hirst
- D724,092 S 3/2015 Zangari et al.
- D729,810 S 5/2015 Klusener
- D733,150 S * 6/2015 Sirichai D14/440
- D733,154 S 6/2015 Armstrong et al.
- 2011/0215217 A1 * 9/2011 De La Garza F16M 11/24
248/397
- 2011/0290687 A1 12/2011 Han
- 2012/0006950 A1 1/2012 Vandiver
- 2012/0012483 A1 1/2012 Fan
- 2012/0043247 A1 2/2012 Westrup
- 2012/0170194 A1 * 7/2012 Lord G06F 1/1632
361/679.02
- 2013/0241381 A1 9/2013 Hyneczek et al.
- 2014/0238876 A1 8/2014 Chen et al.

OTHER PUBLICATIONS

Tablet and Cell Phone Easel Stand, www.4AllPromos.com.
Basic Folding Smartphone and Tablet Stand, www.qualitylogoproducts.com.
Leather iPad 2 Case/Stand, www.4AllPromos.com.
Motion CL-Series Portfolio—509.400.02—Sleeve/Shuttle Notebook Cases, www.cdw.com.
Dell Premier Sleeve/Stand (M), www.dell.com.

* cited by examiner

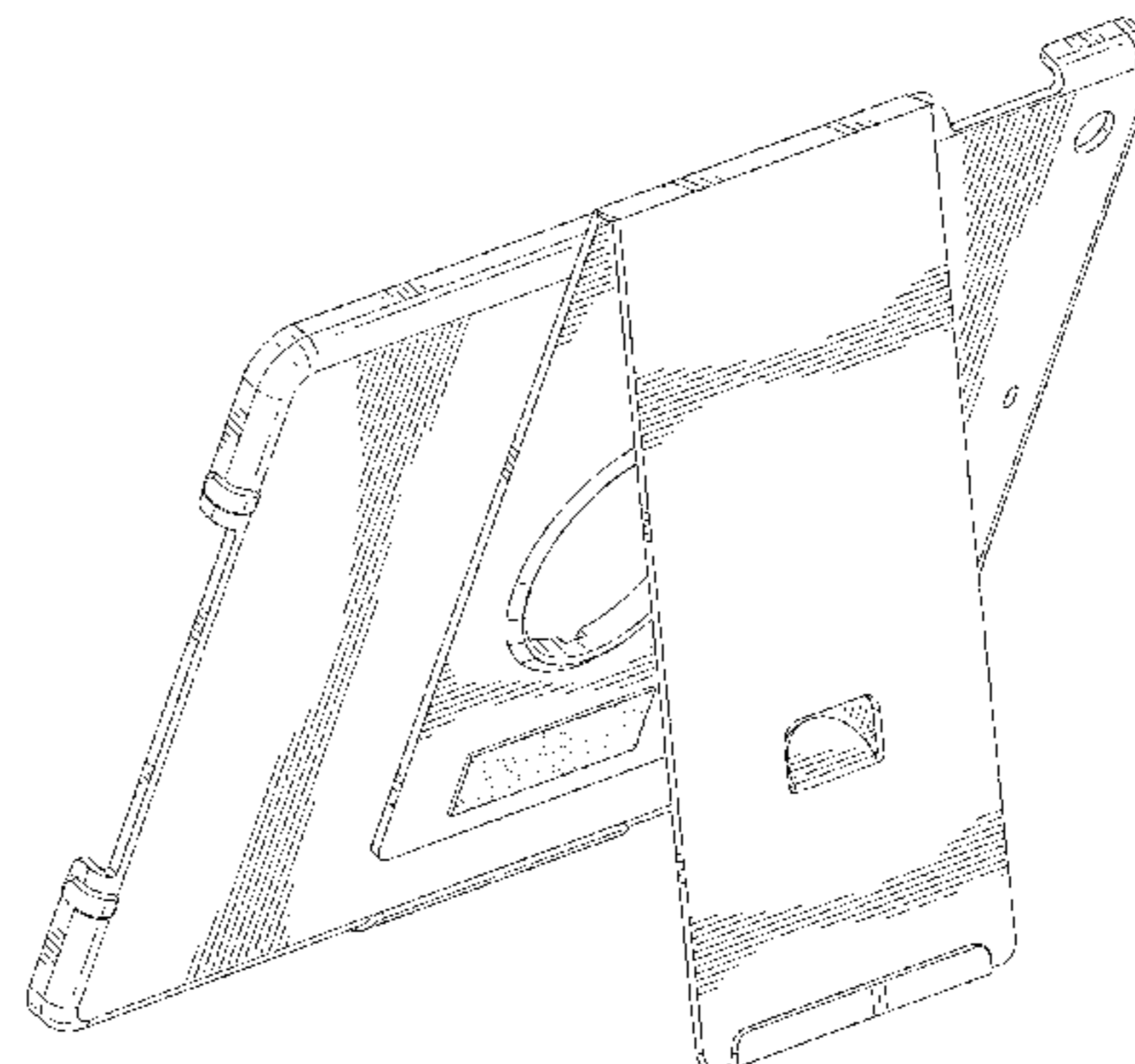
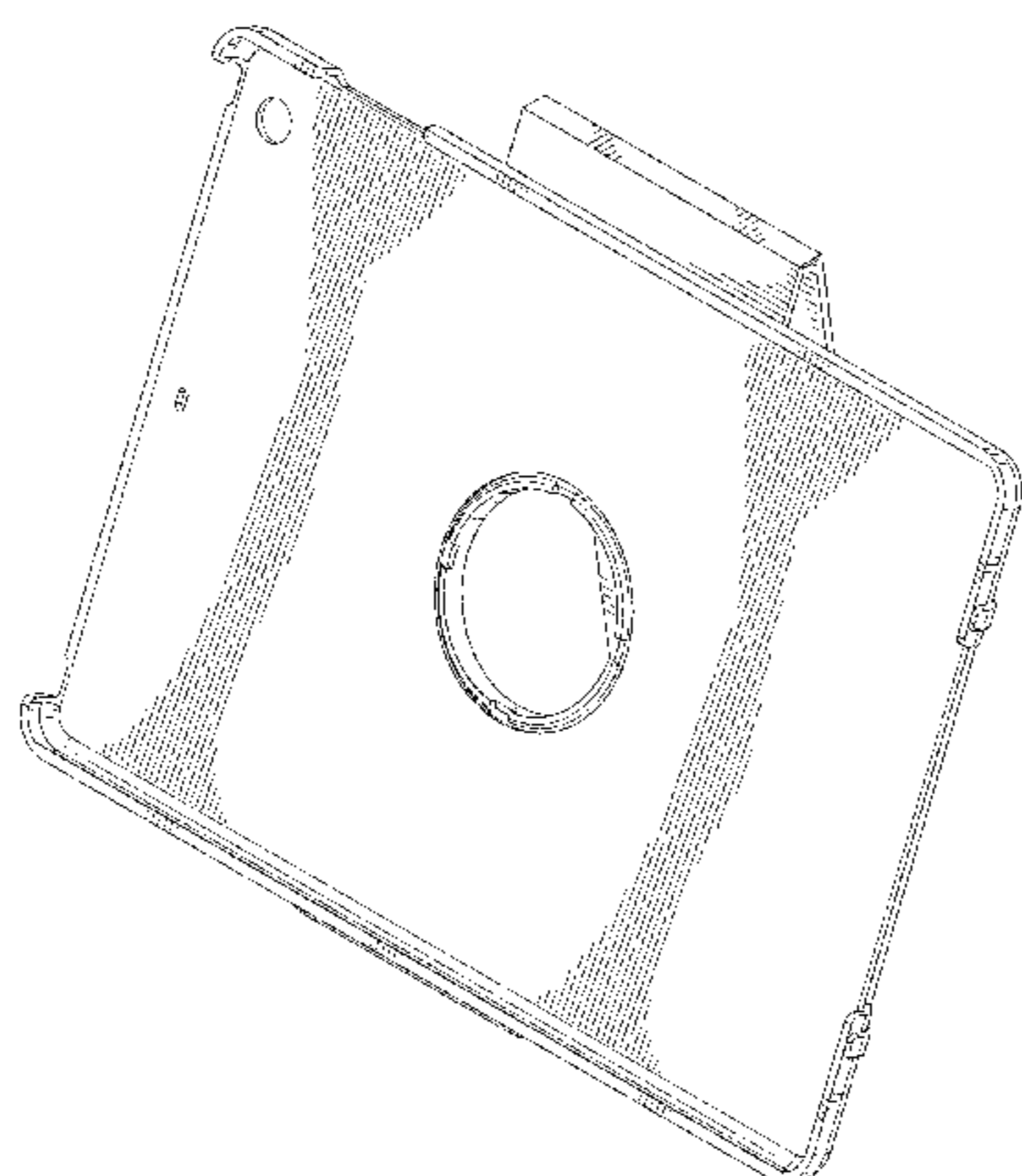
Primary Examiner — Angela J Lee
(74) *Attorney, Agent, or Firm* — Haynes and Boone, LLP

(57) **CLAIM**

The ornamental design for a tablet computer stand, as shown and described.

DESCRIPTION

The application is related to U.S. patent application Ser. No. 29/538,618, filed Sep. 4, 2015, the entire disclosure of which is hereby incorporated by reference.



The application is related to U.S. patent application Ser. No. 29/538,622, filed Sep. 4, 2015, the entire disclosure of which is hereby incorporated by reference.

FIG. 1 is a perspective view of a tablet computer stand showing my new design arranged in a first configuration;

FIG. 2 is another perspective view of the first configuration;

FIG. 3 is a front elevational view of the first configuration;

FIG. 4 is a rear elevational view of the first configuration;

FIG. 5 is a right side elevational view of the first configuration;

FIG. 6 is a left side elevational view of the first configuration;

FIG. 7 is a top plan view of the first configuration;

FIG. 8 is a bottom plan view of the first configuration;

FIG. 9 is another perspective view of the first configuration, FIG. 9 being similar to FIG. 1 but depicting in broke lines unclaimed environmental structure that is not depicted in FIGS. 1-8;

FIG. 10 is a perspective view of the tablet computer stand showing my new design arranged in a second configuration;

FIG. 11 is another perspective view of the second configuration;

FIG. 12 is a front elevational view of the second configuration;

FIG. 13 is a rear elevational view of the second configuration;

FIG. 14 is a right side elevational view of the second configuration;

FIG. 15 is a left side elevational view of the second configuration;

FIG. 16 is a top plan view of the second configuration;

FIG. 17 is a bottom plan view of the second configuration; FIG. 18 is another perspective view of the second configuration, FIG. 18 being similar to FIG. 10 but depicting in broke lines unclaimed environmental structure that is not depicted in FIGS. 10-17;

FIG. 19 is a perspective view of the tablet computer stand showing my new design arranged in a third configuration;

FIG. 20 is a front elevational view of the third configuration;

FIG. 21 is a rear elevational view of the third configuration;

FIG. 22 is a right side elevational view of the third configuration;

FIG. 23 is a left side elevational view of the third configuration;

FIG. 24 is a top plan view of the third configuration;

FIG. 25 is a bottom plan view of the third configuration;

FIG. 26 is a perspective view of the tablet computer stand showing my new design arranged in a fourth configuration;

FIG. 27 is a front elevational view of the fourth configuration;

FIG. 28 is a rear elevational view of the fourth configuration;

FIG. 29 is a right side elevational view of the fourth configuration;

FIG. 30 is a left side elevational view of the fourth configuration;

FIG. 31 is a top plan view of the fourth configuration; and,

FIG. 32 is a bottom plan view of the fourth configuration.

The broken lines in FIGS. 9 and 18 form no part of the claimed design.

1 Claim, 26 Drawing Sheets

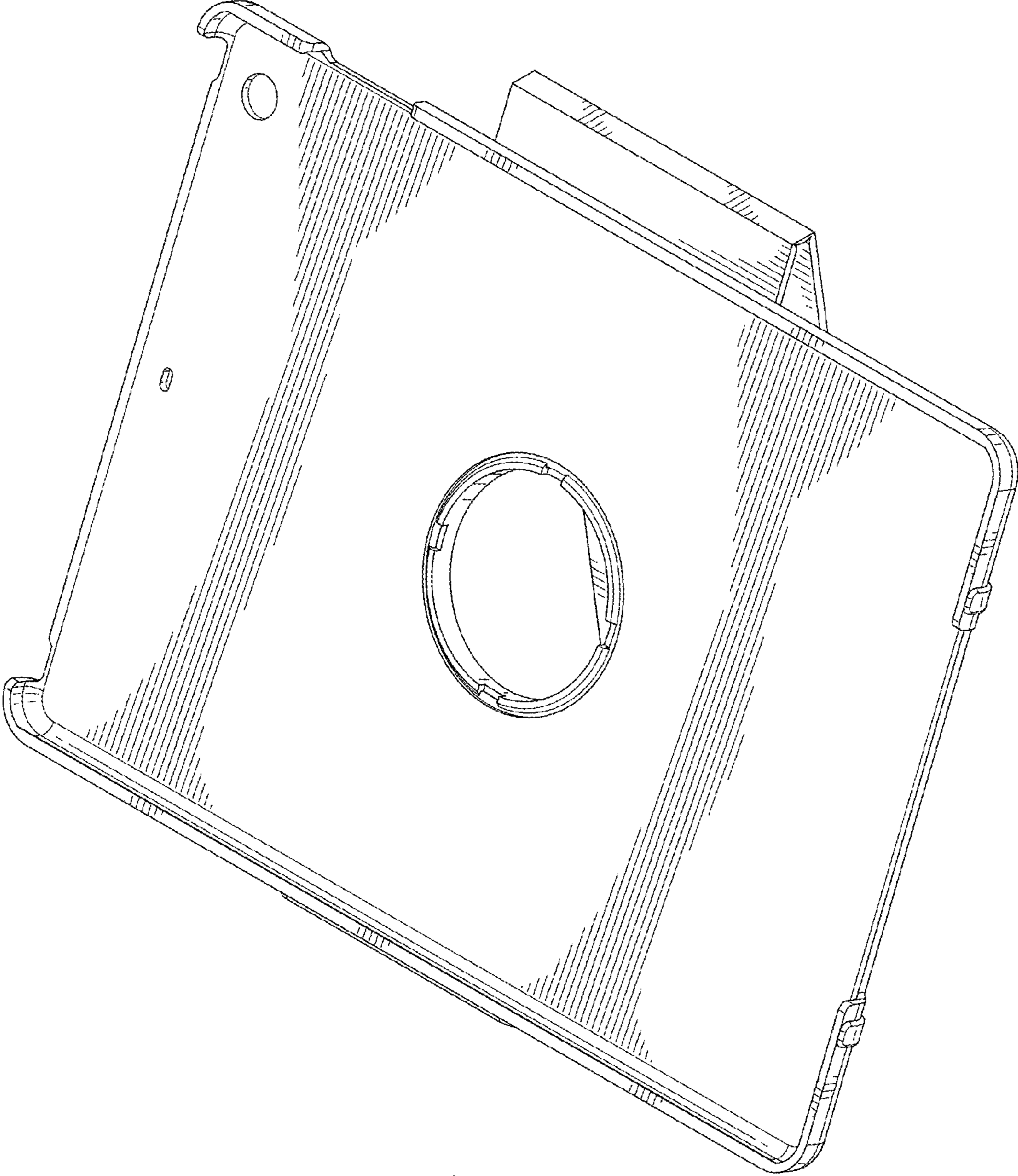


Fig. 1

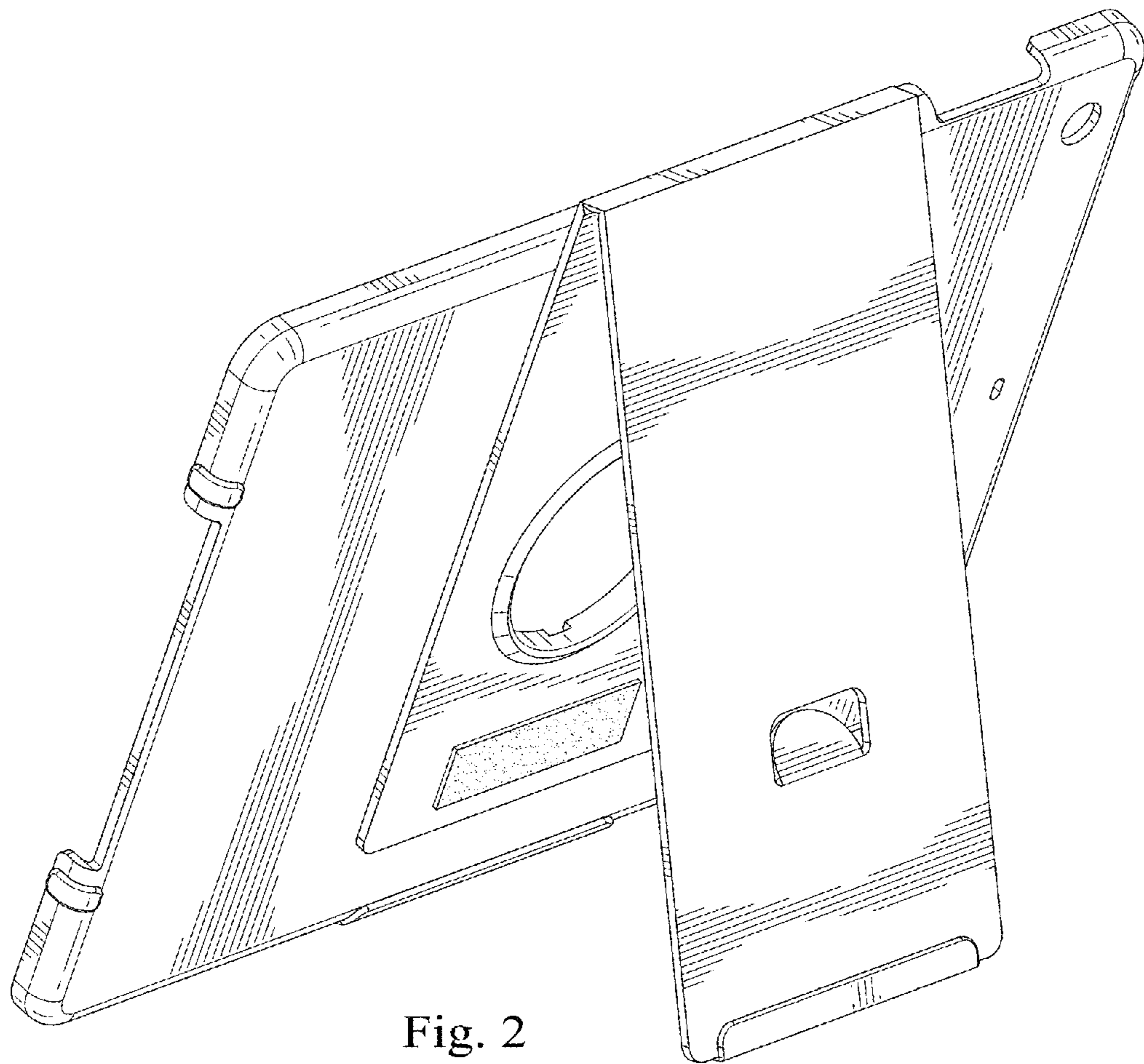


Fig. 2

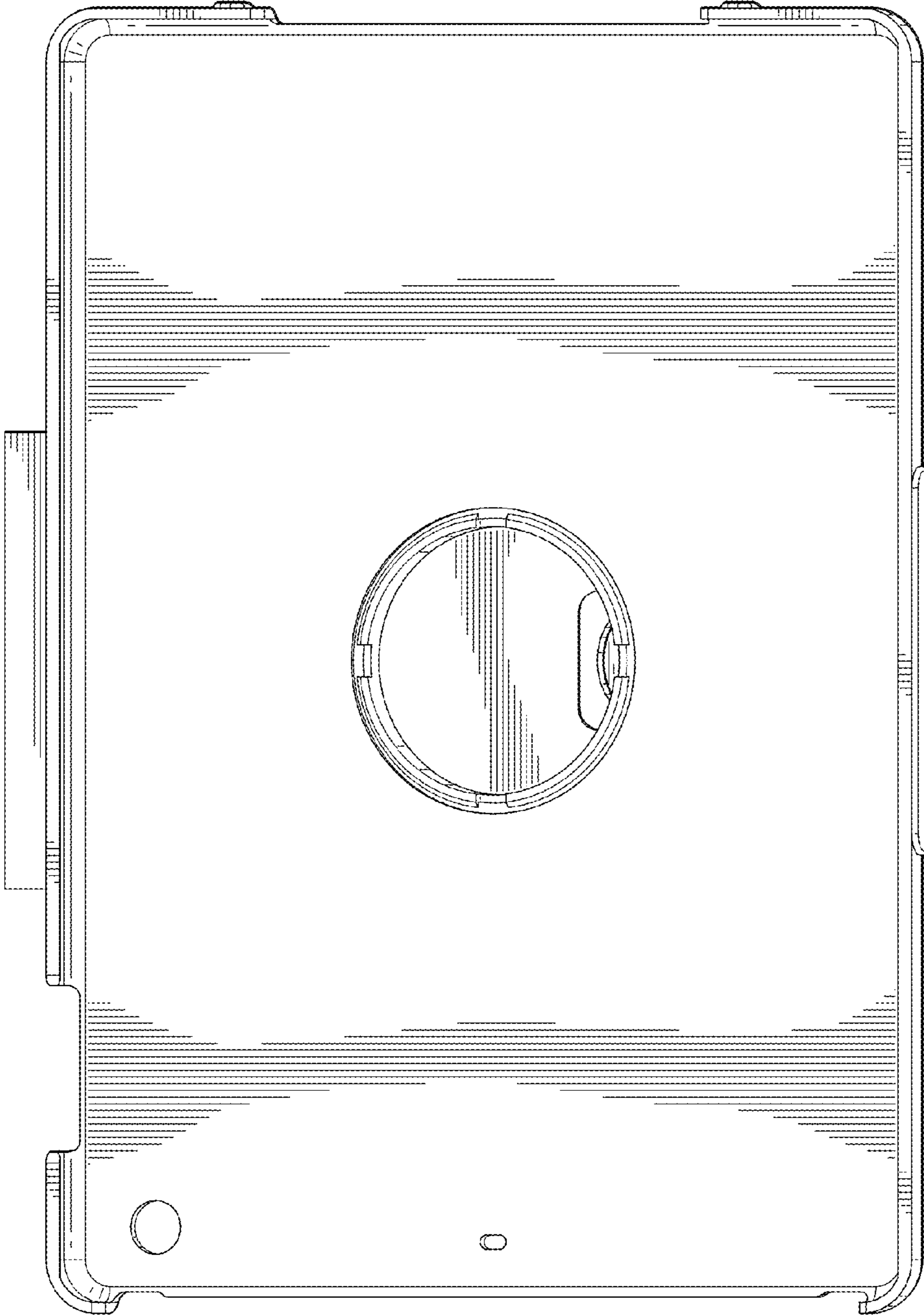


Fig. 3

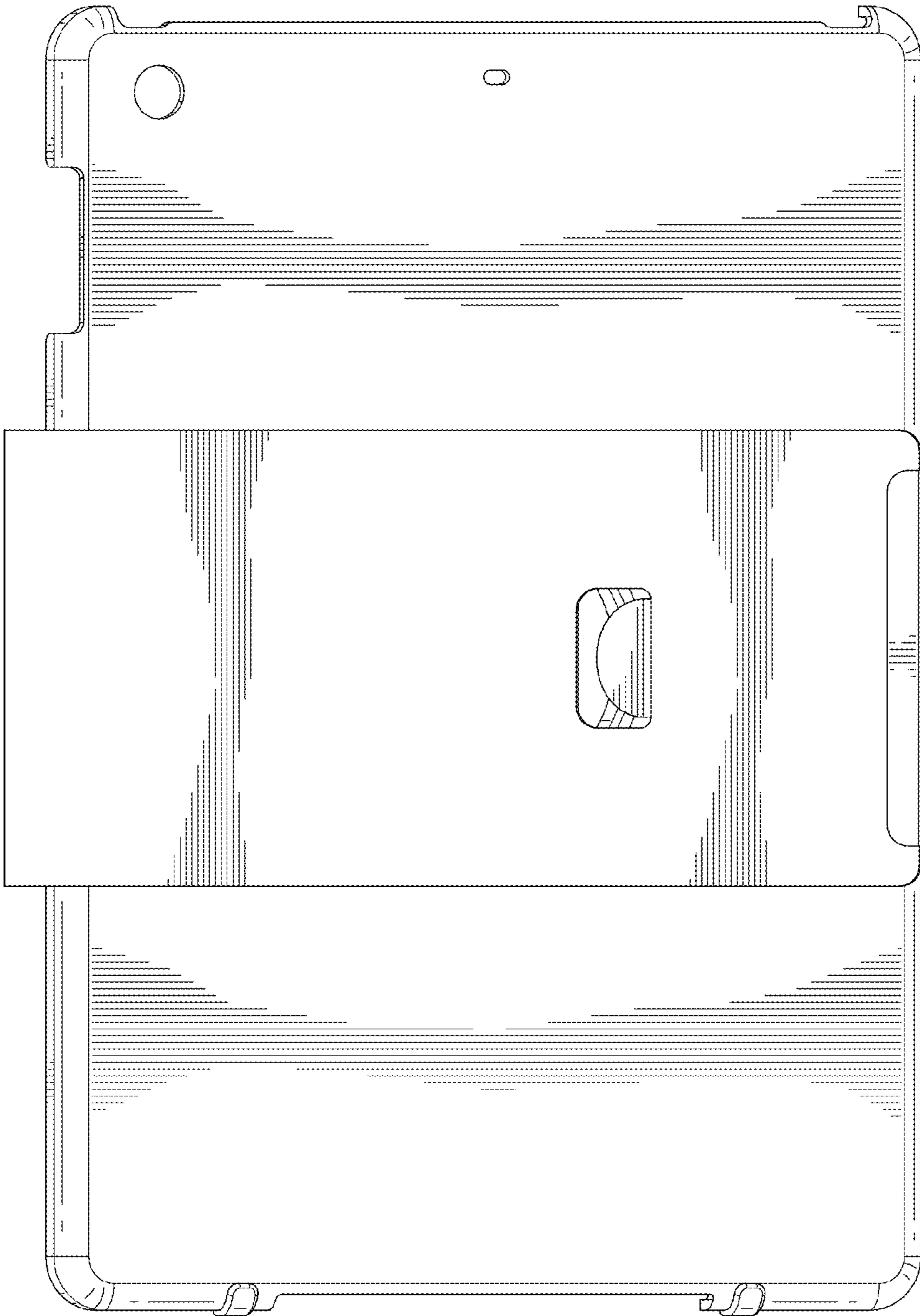


Fig. 4

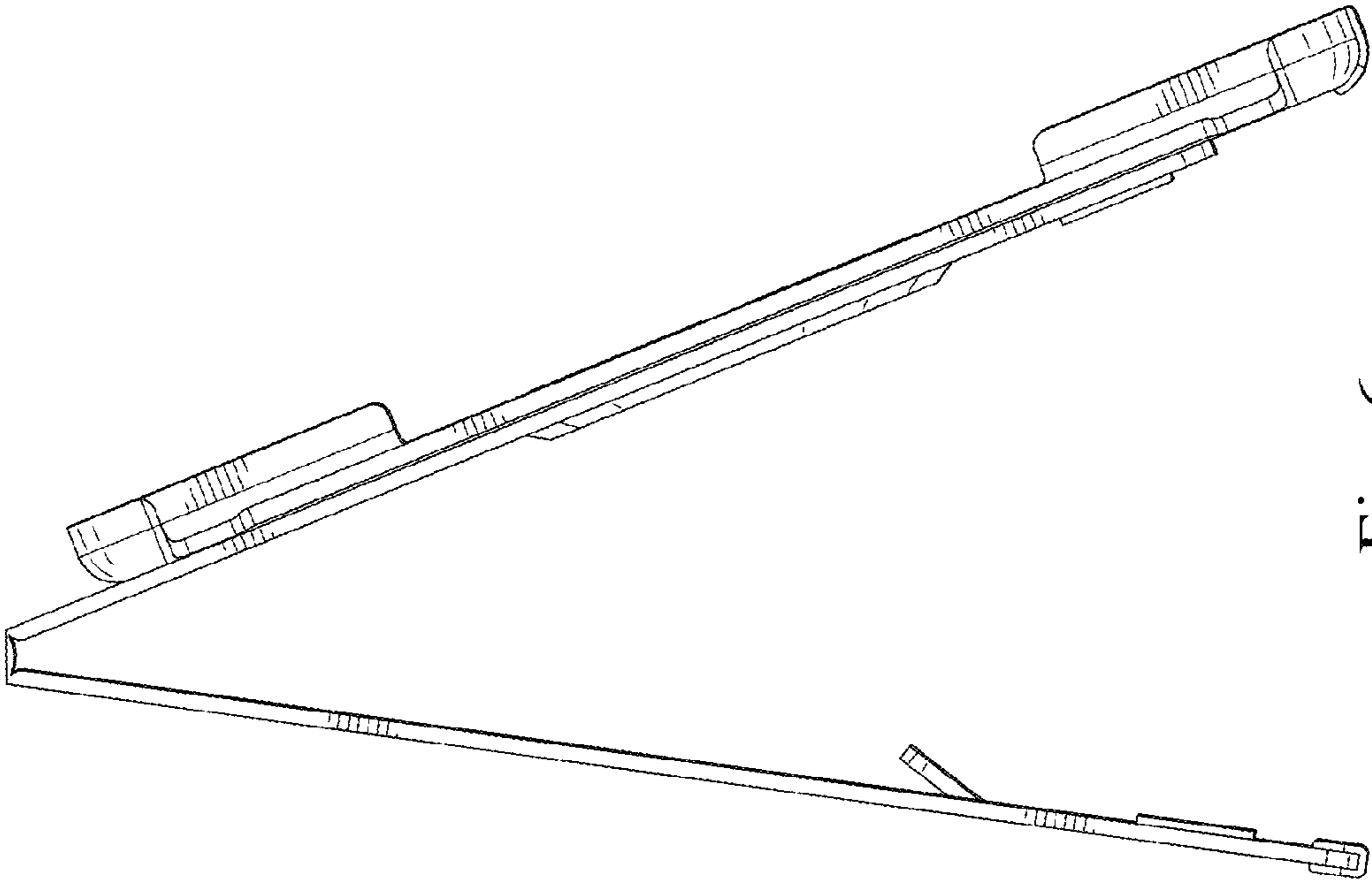


Fig. 6

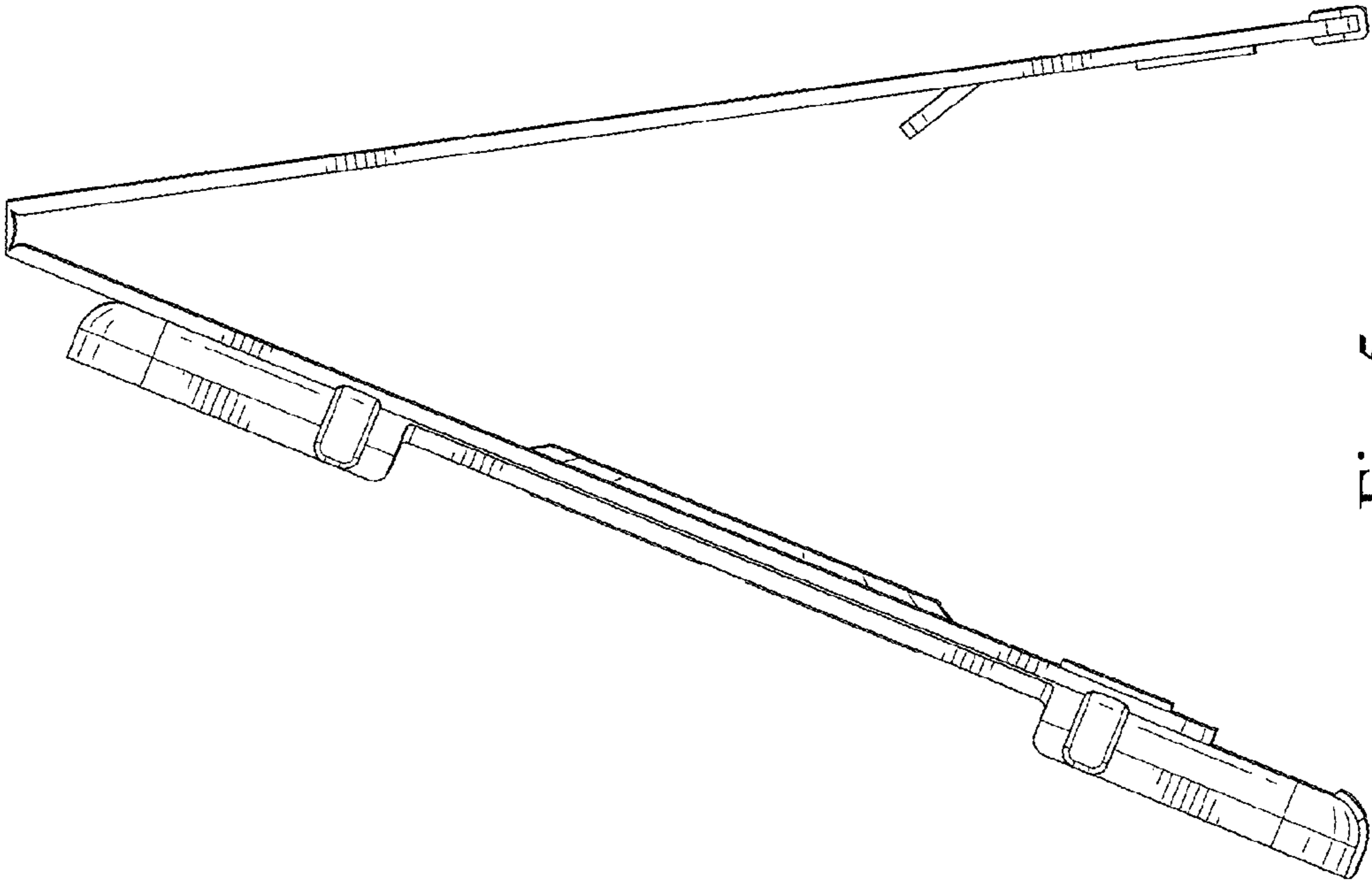


Fig. 5

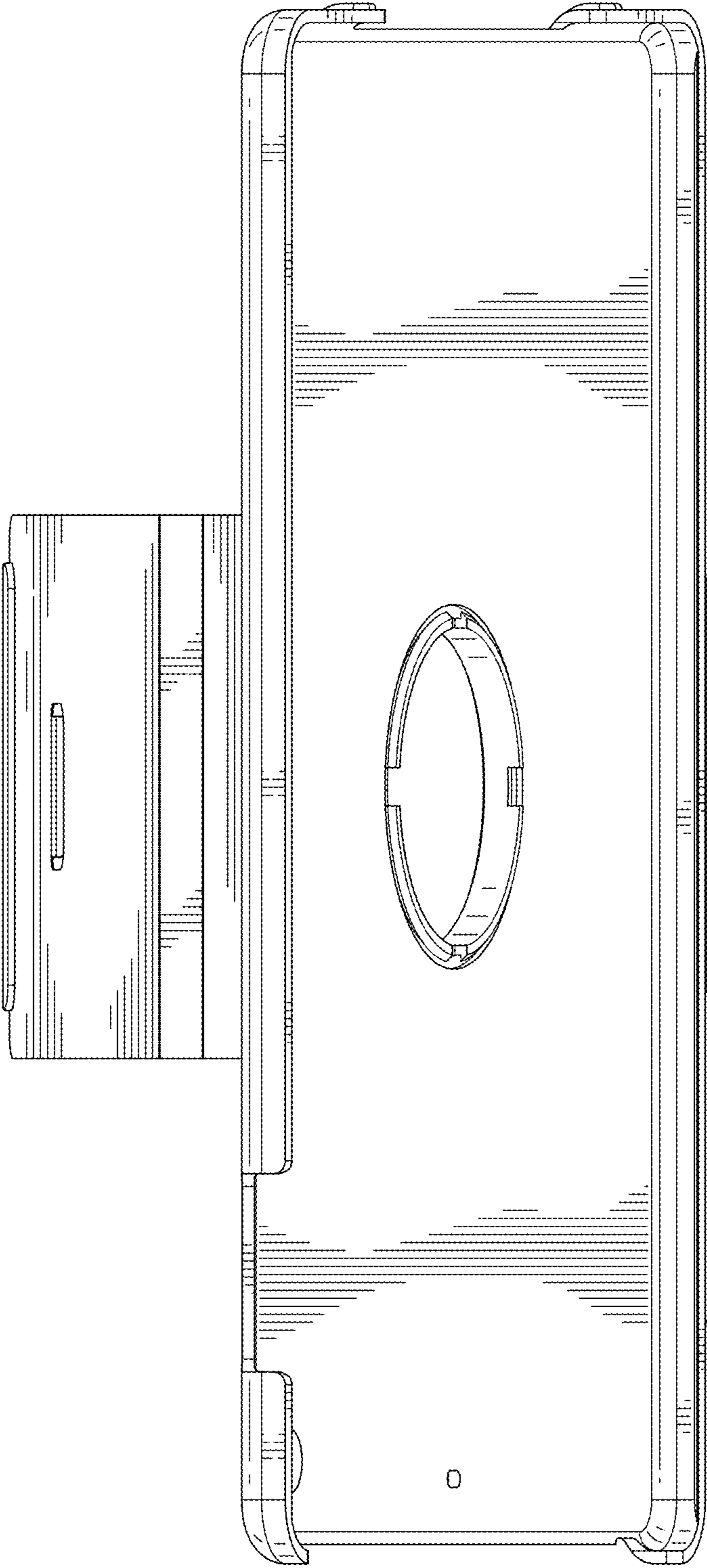


Fig. 7

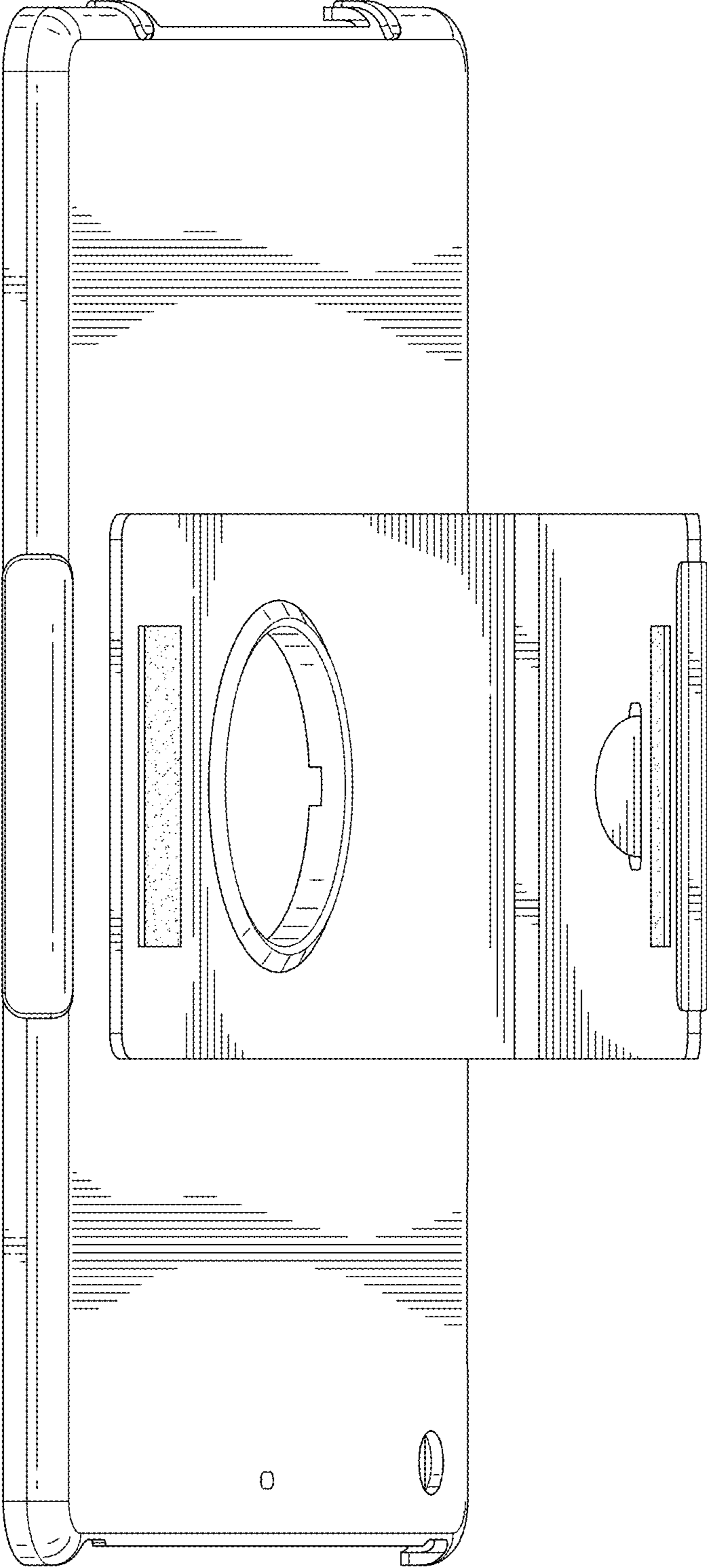


Fig. 8

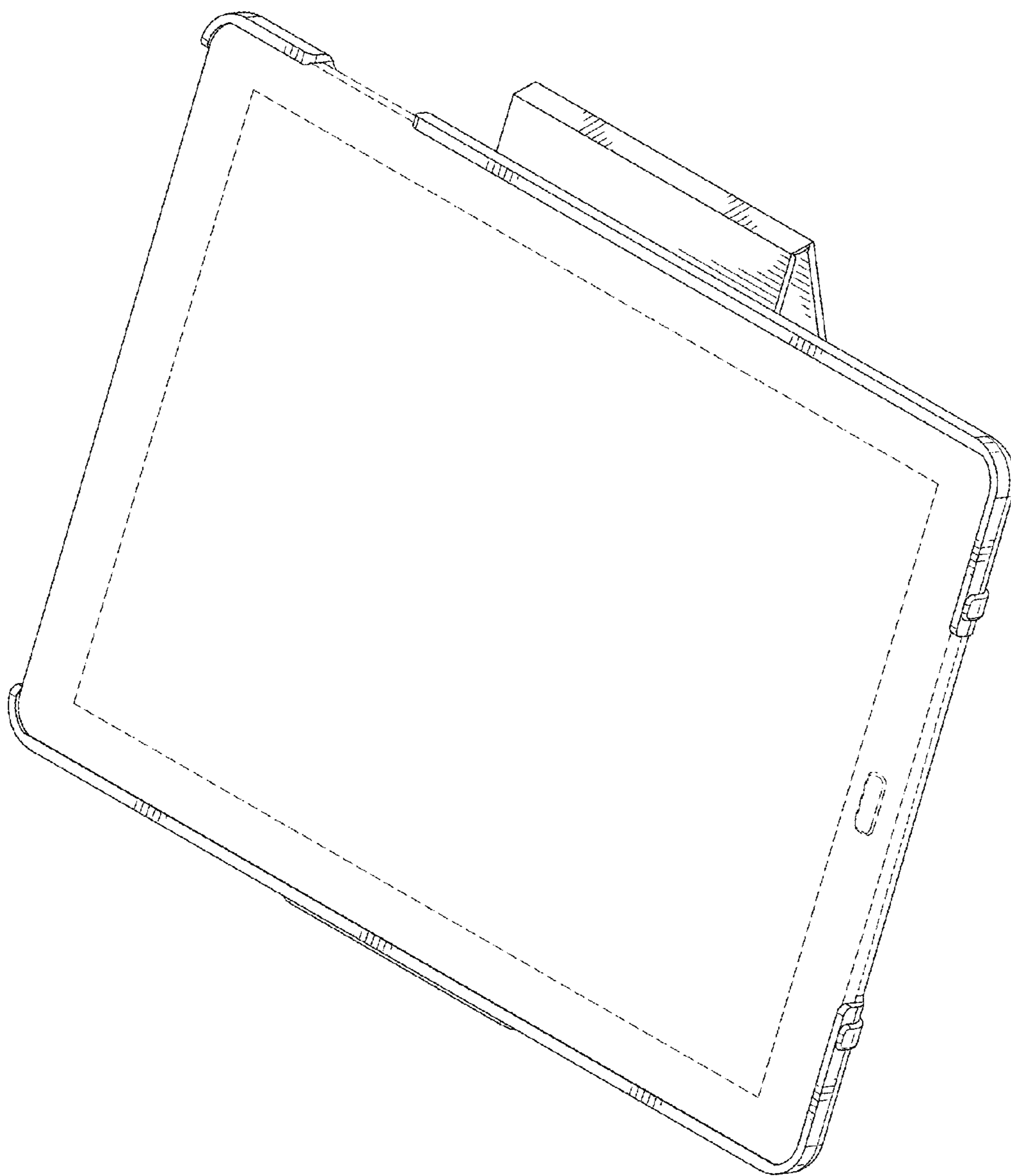


Fig. 9

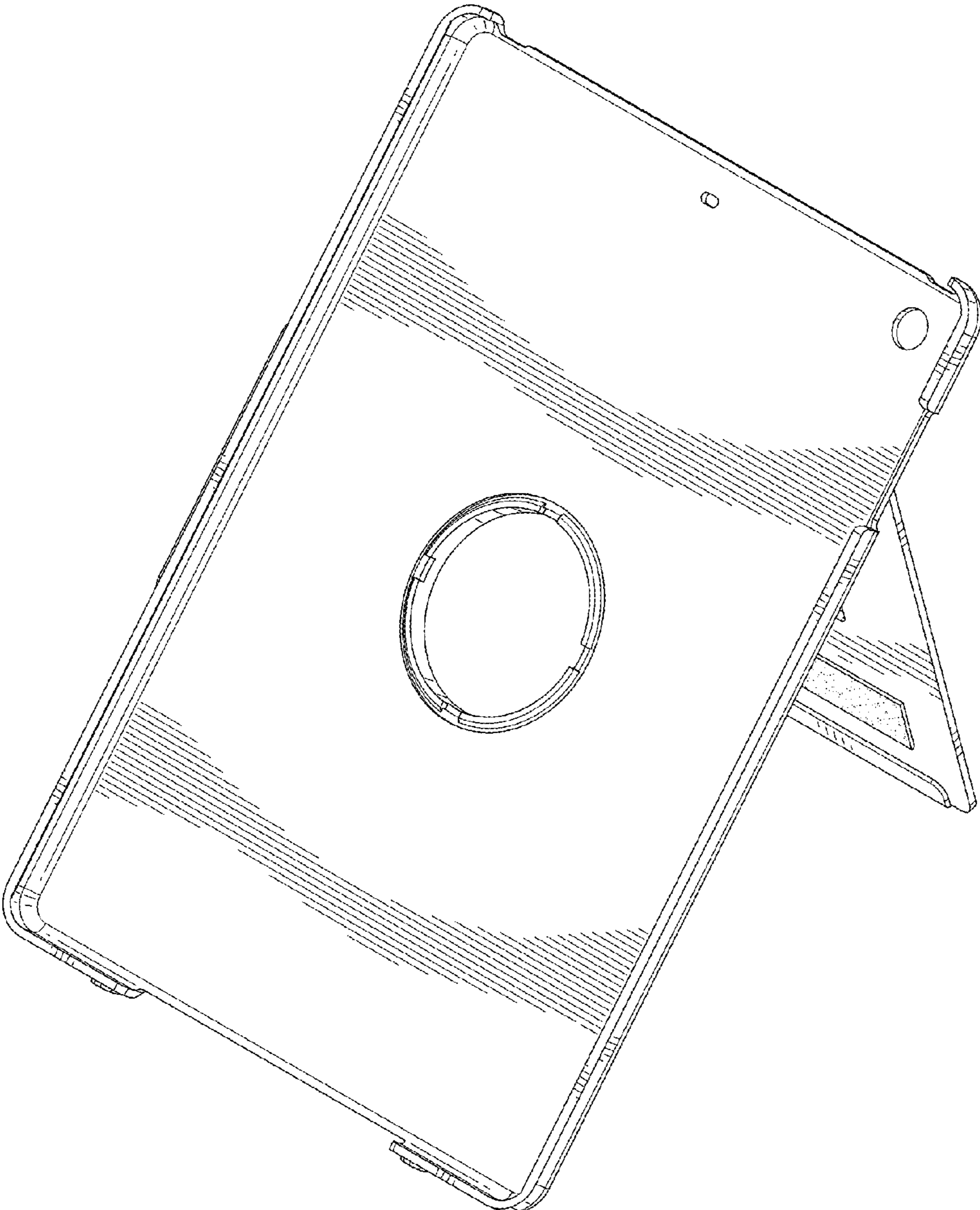
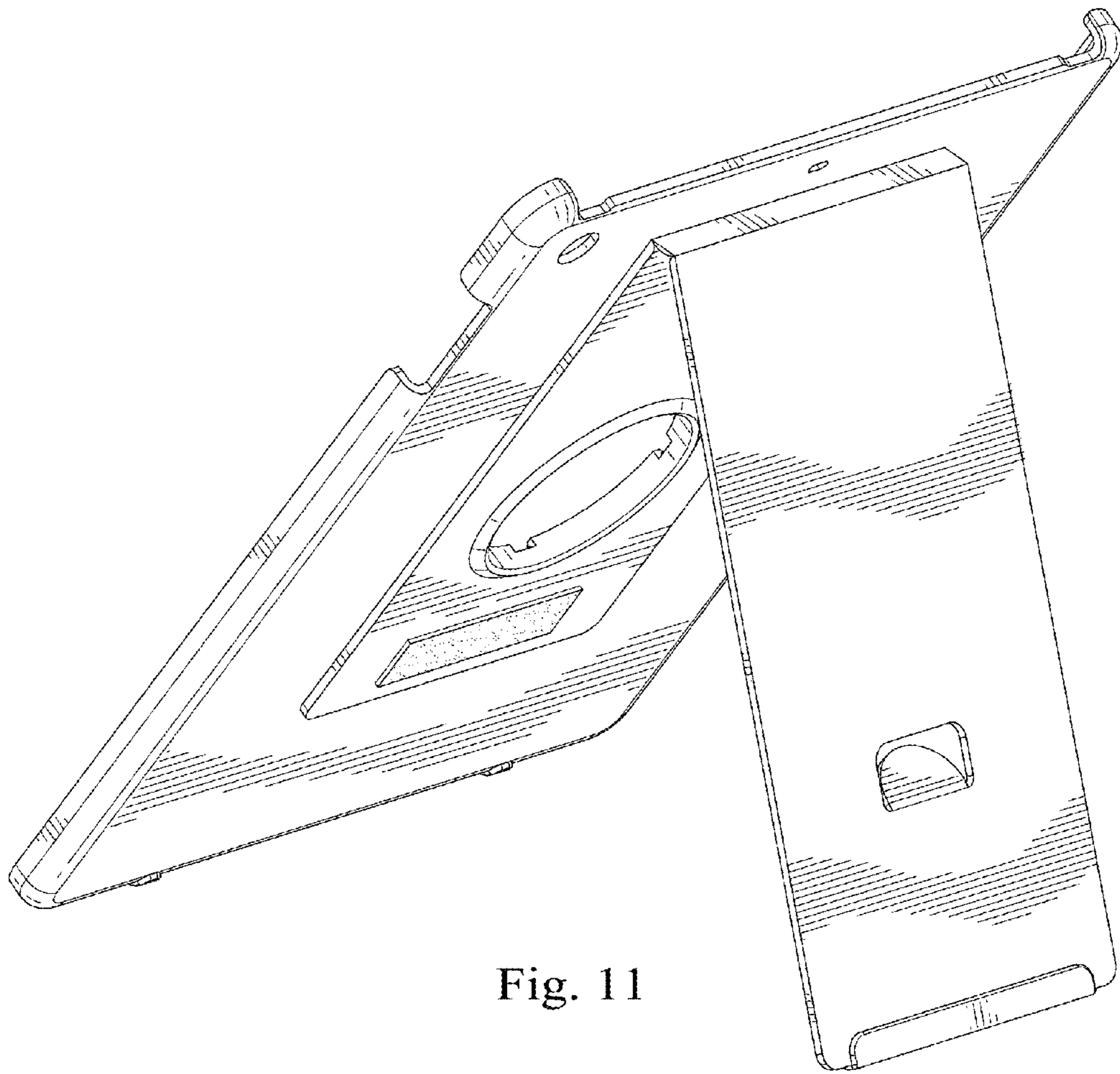


Fig. 10



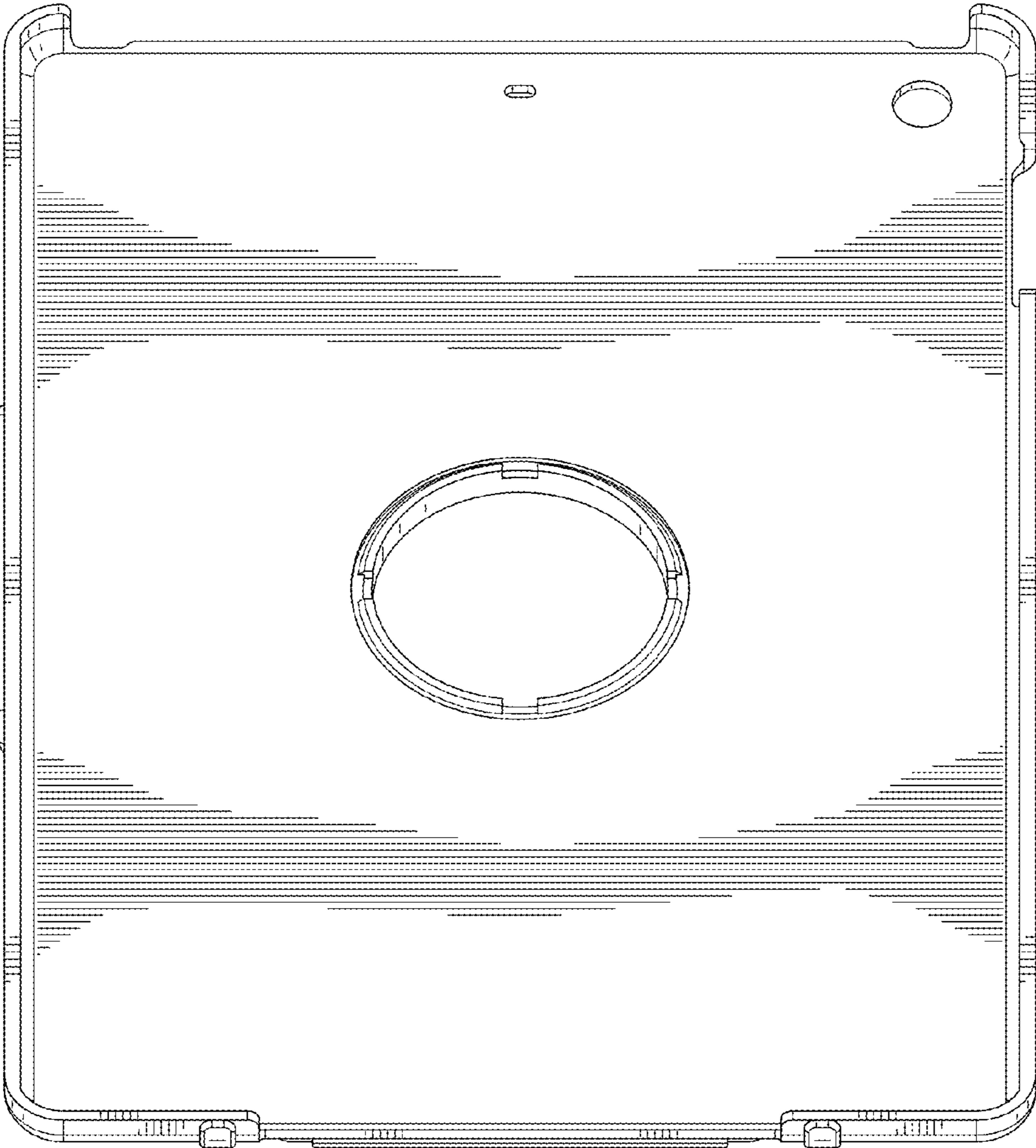


Fig. 12

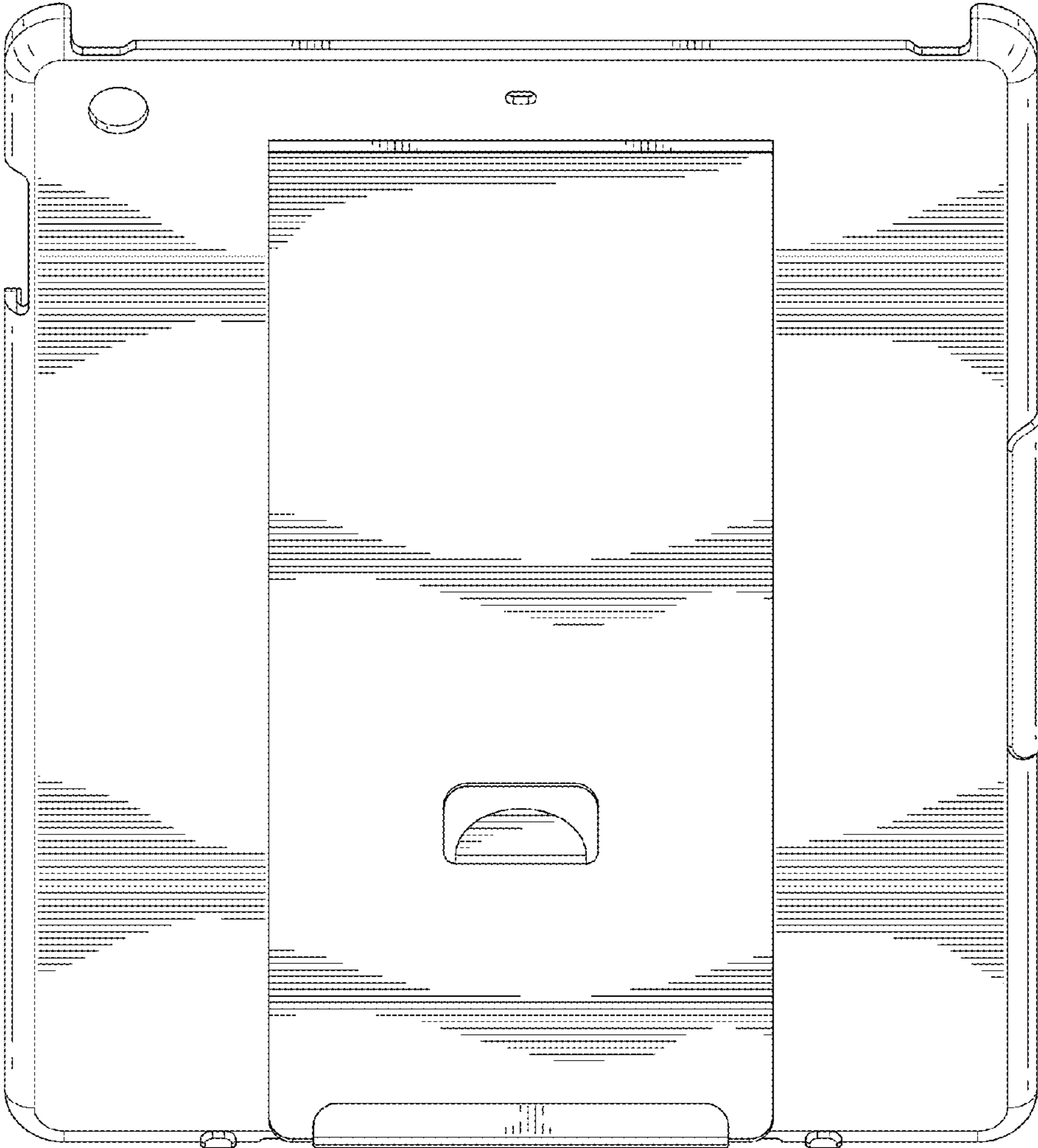


Fig. 13

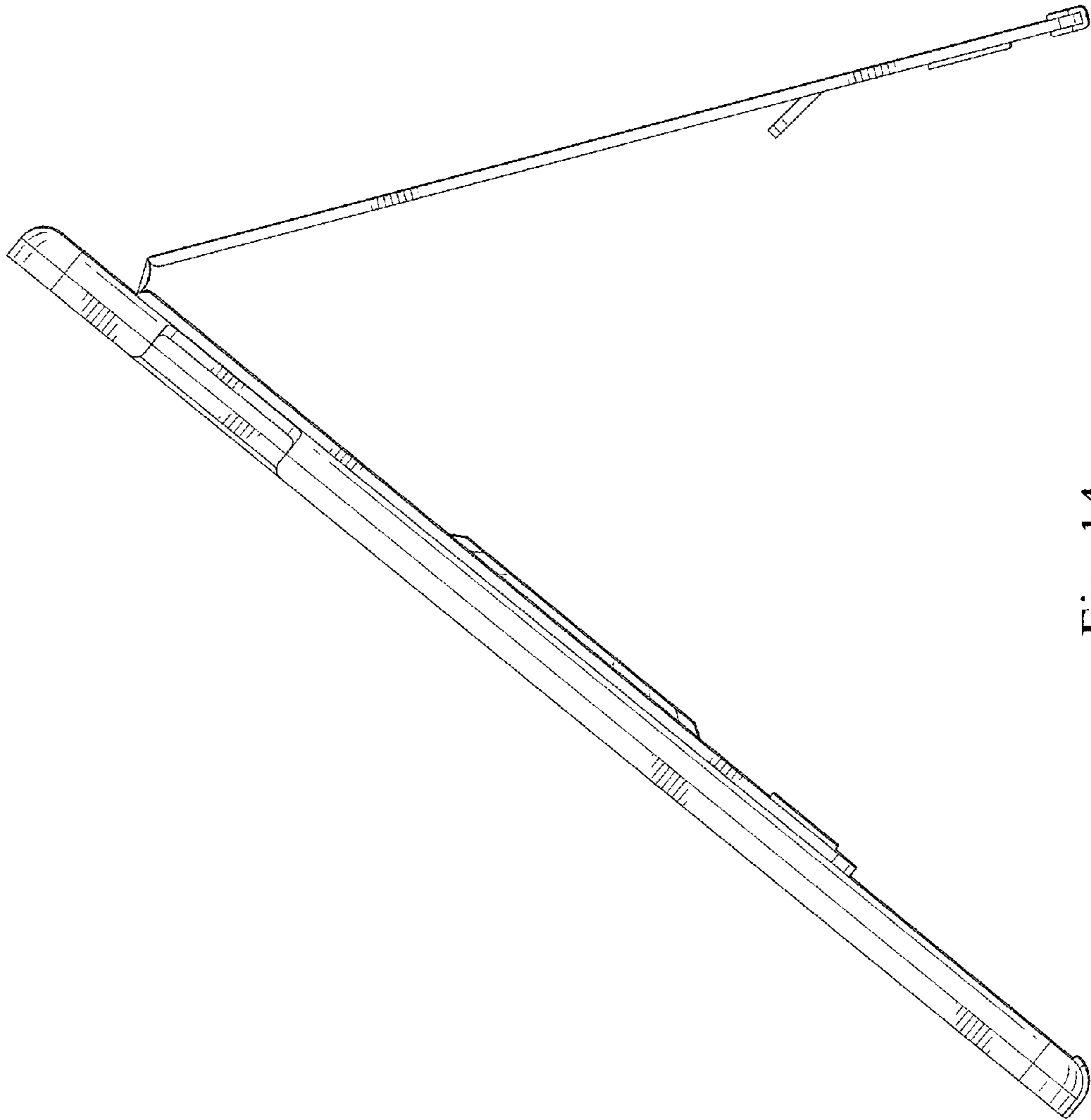


Fig. 14

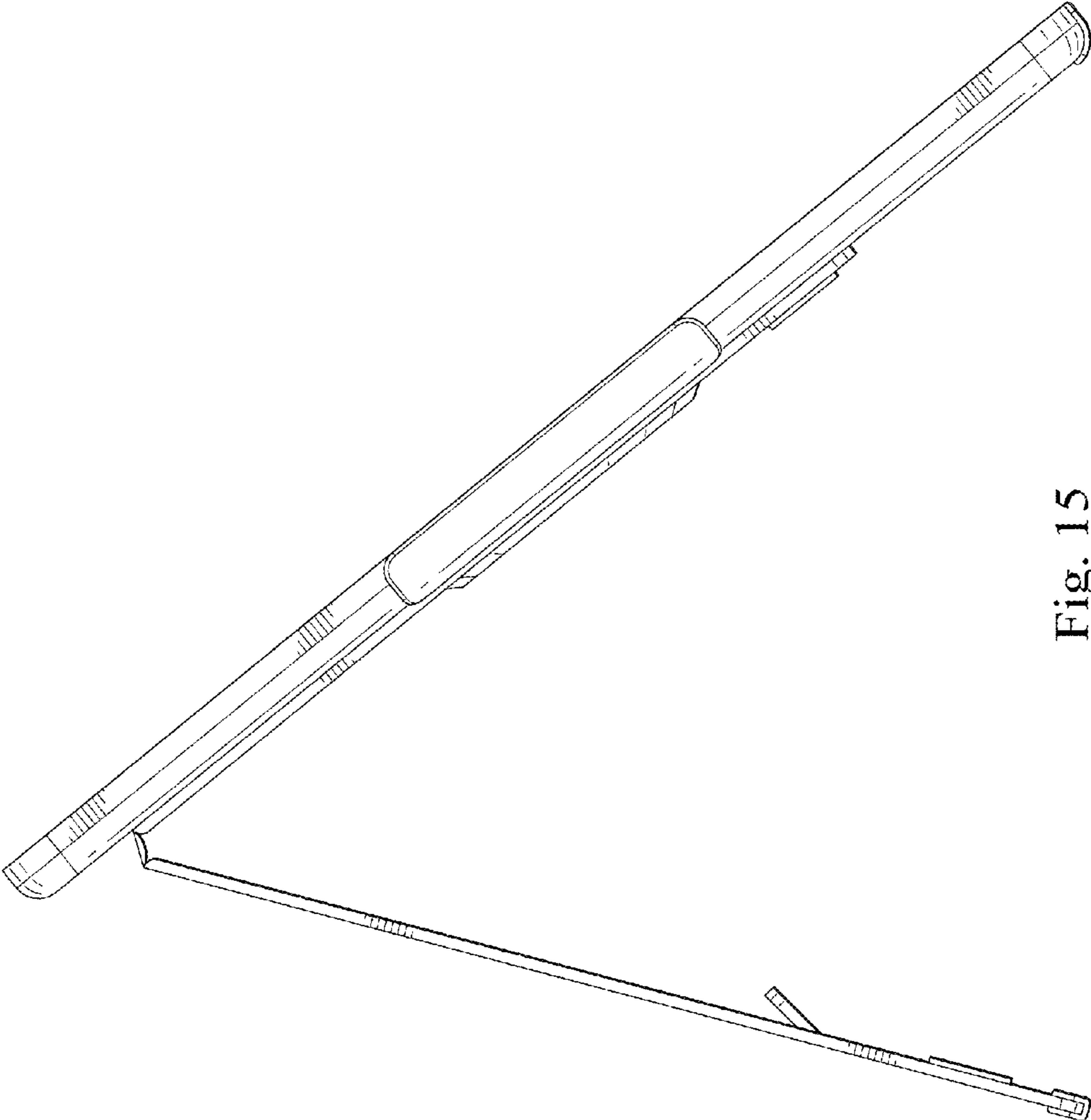


Fig. 15

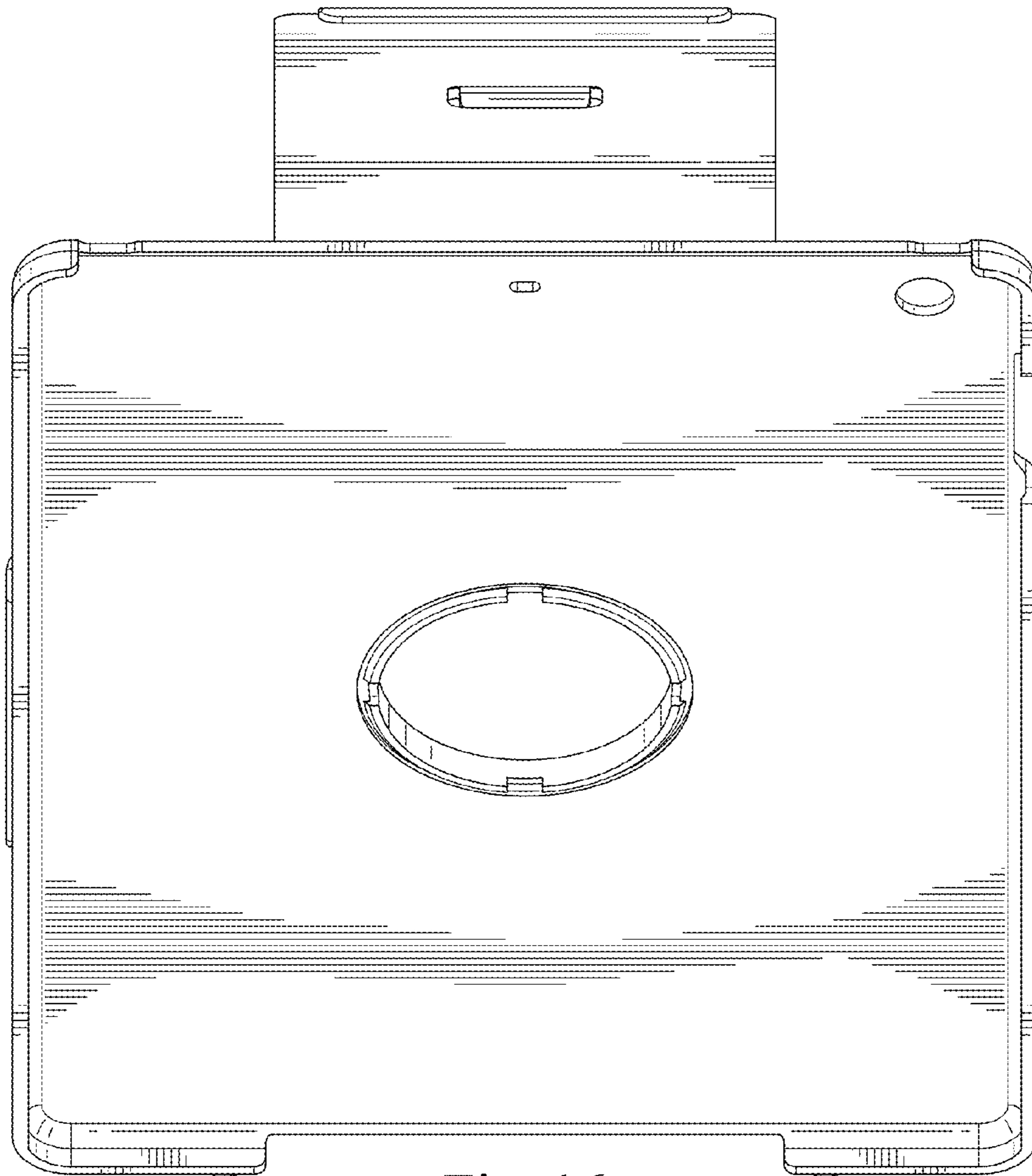


Fig. 16

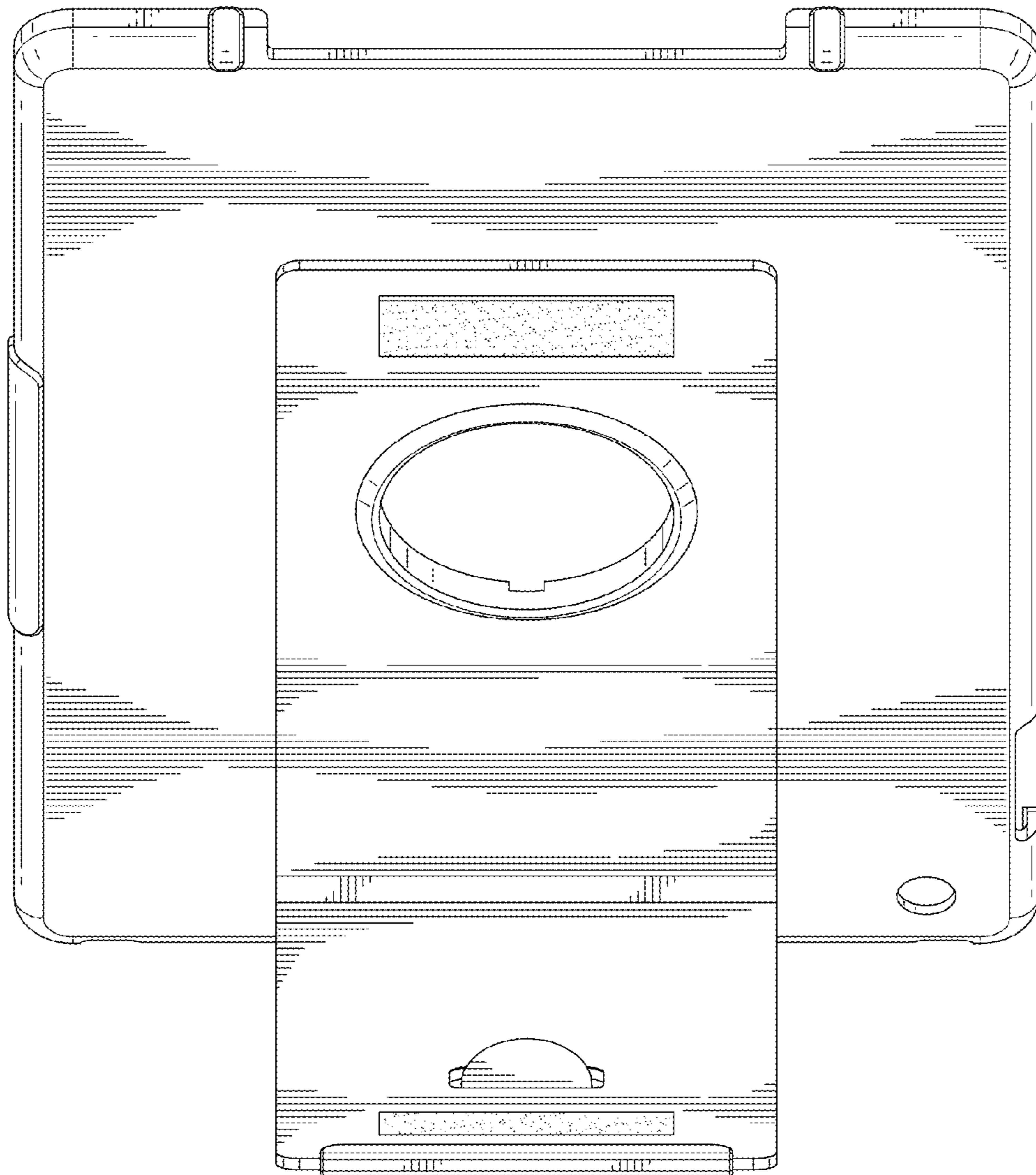


Fig. 17

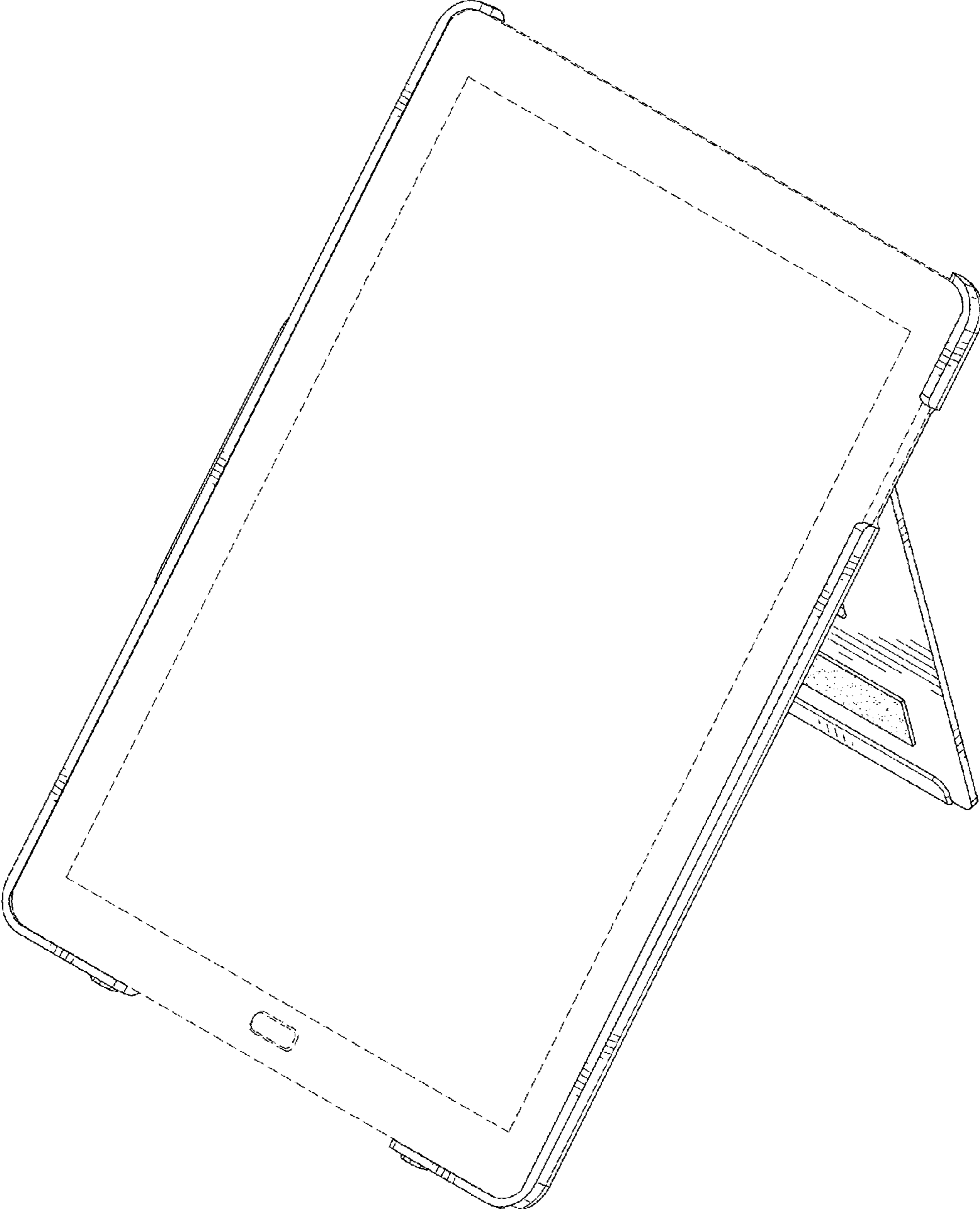


Fig. 18

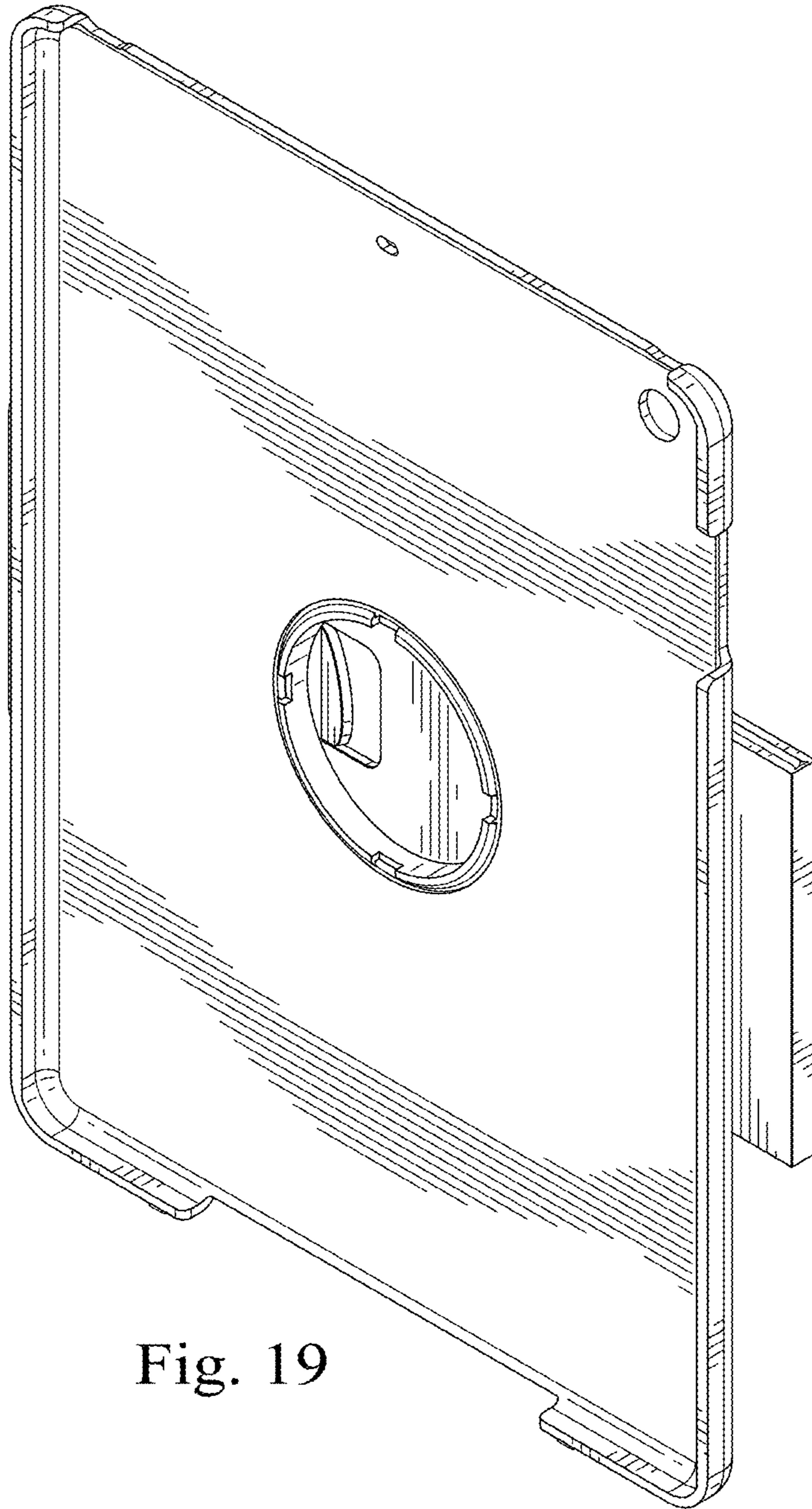


Fig. 19

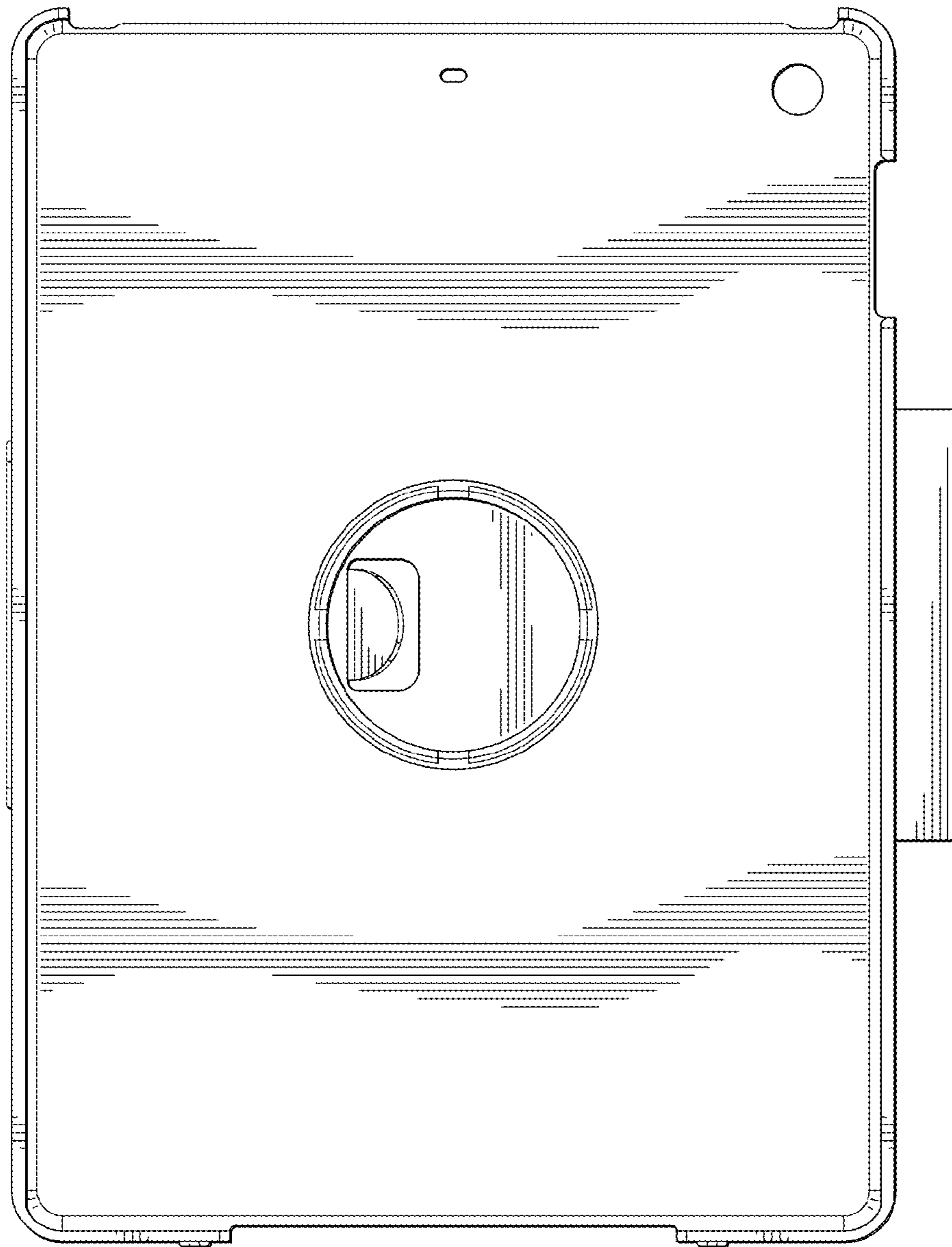


Fig. 20

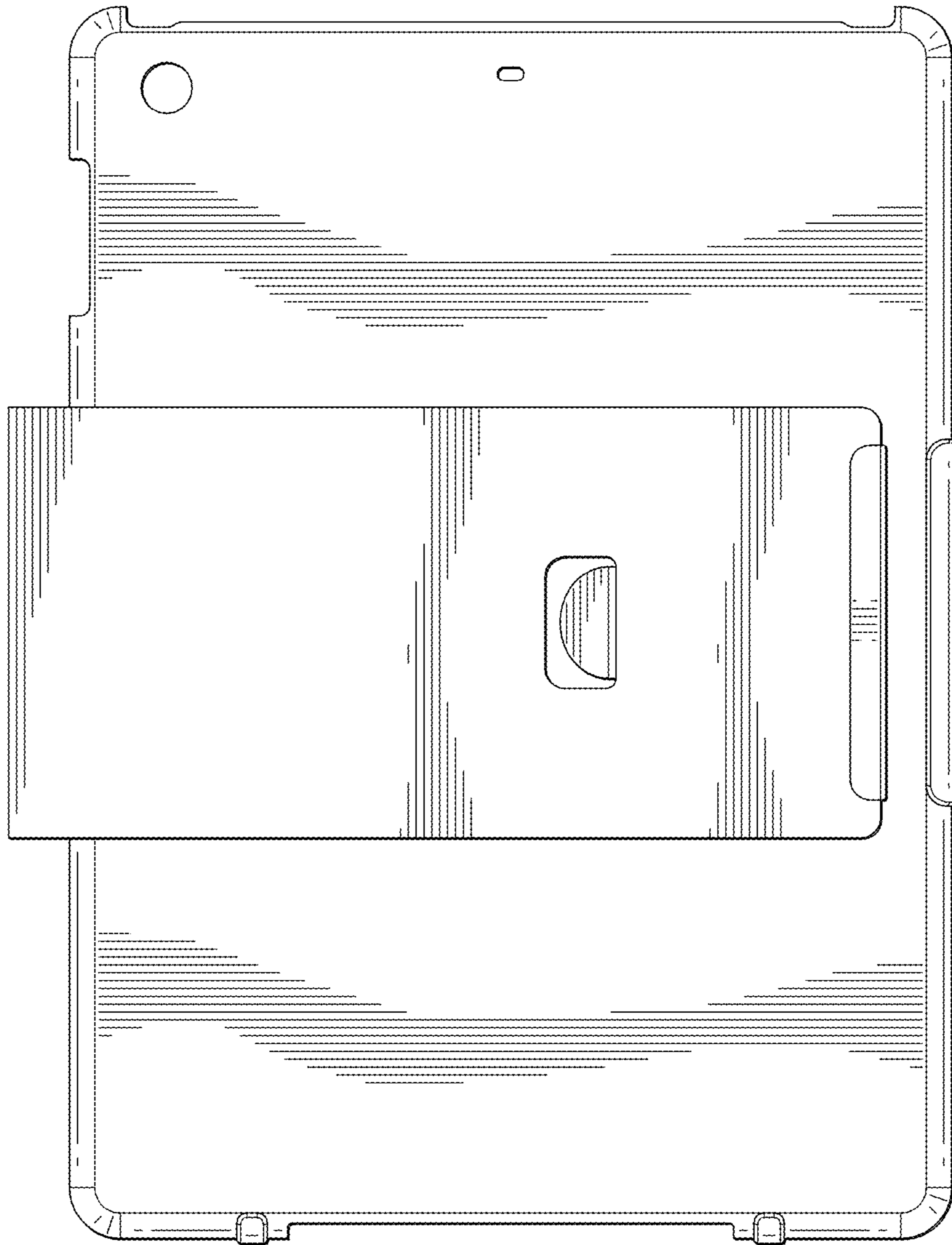


Fig. 21

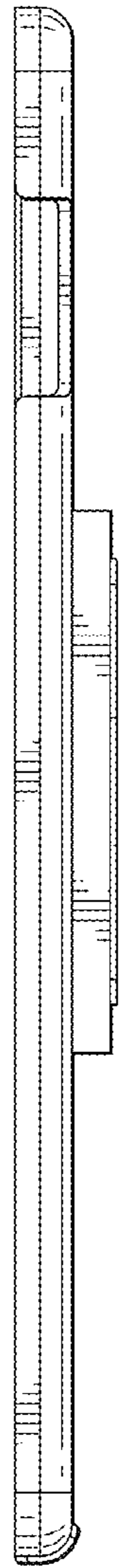


Fig. 22

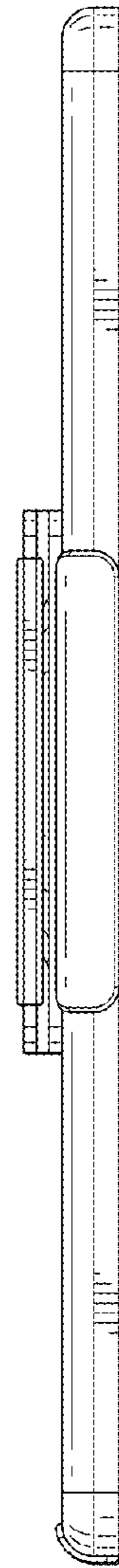


Fig. 23

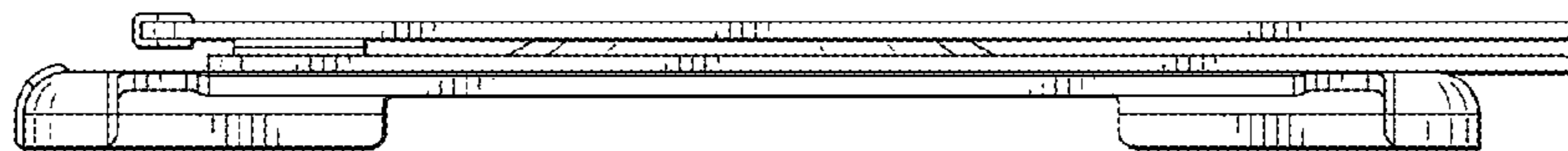


Fig. 24



Fig. 25

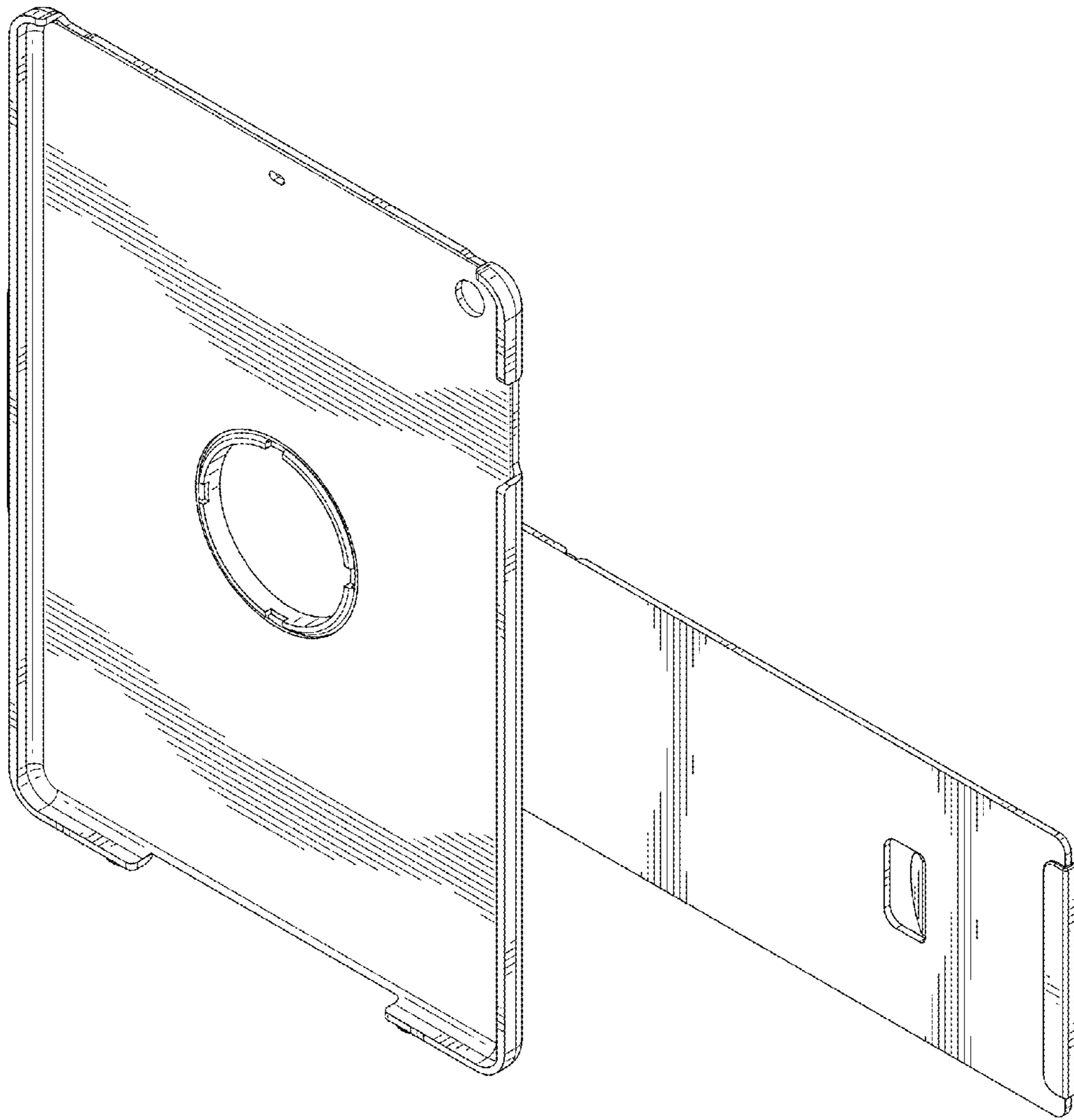


Fig. 26

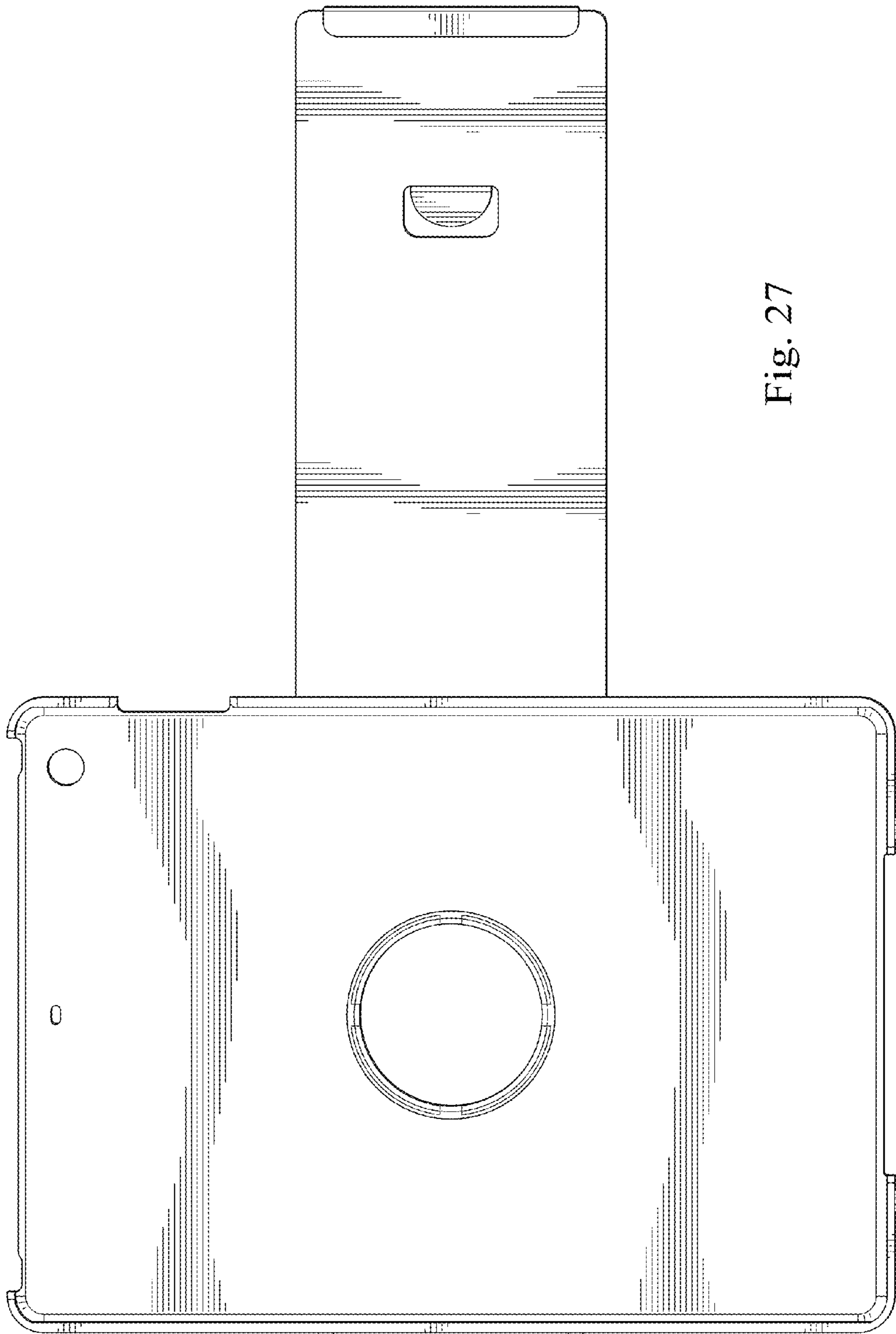


Fig. 27

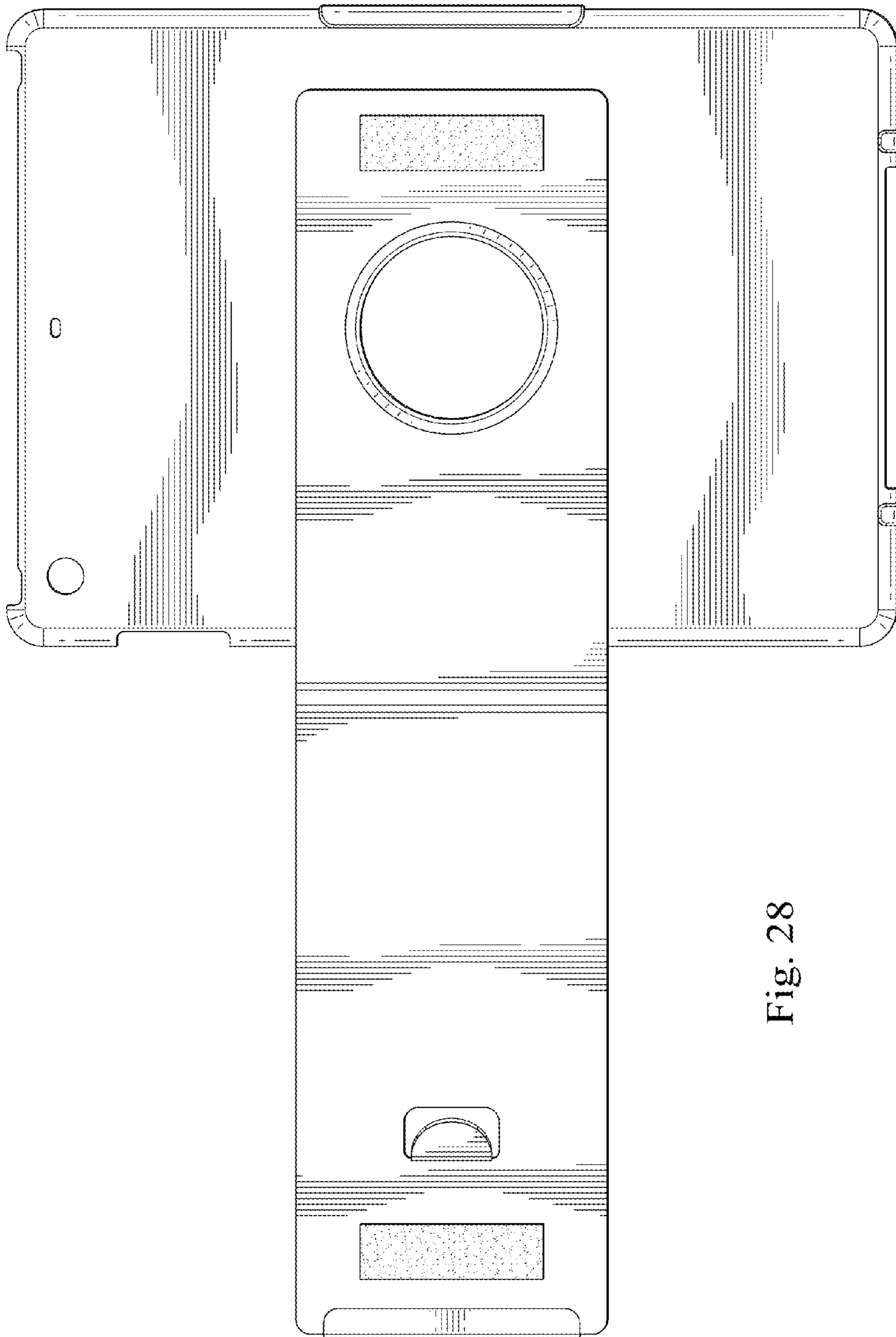


Fig. 28

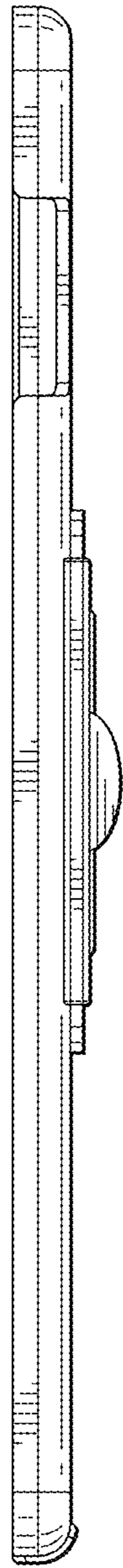


Fig. 29

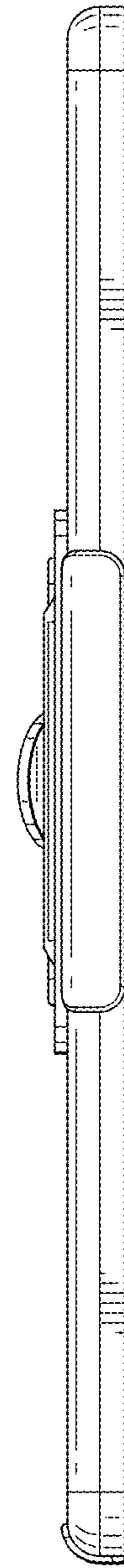


Fig. 30

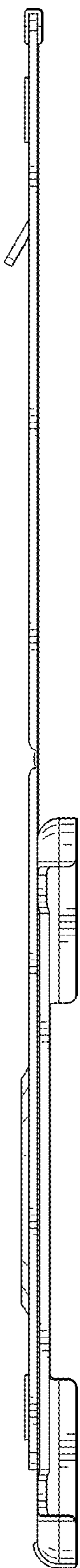


Fig. 31

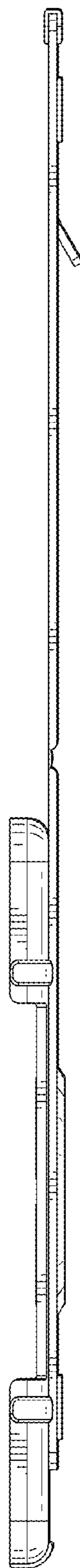


Fig. 32

UNITED STATES PATENT AND TRADEMARK OFFICE
CERTIFICATE OF CORRECTION

PATENT NO. : D750,089 S
APPLICATION NO. : 29/538610
DATED : February 23, 2016
INVENTOR(S) : Julia Elsa Langhein

Page 1 of 1

It is certified that error appears in the above-identified patent and that said Letters Patent is hereby corrected as shown below:

On the title page under item (57), In column 2, before the first sentence in the Description, please insert the following two sentences:

-- This application claims priority to Registered Community Design (RCD) Application No. 002755637, filed August 17, 2015 in the European (EU) Office for Harmonization in the Internal Market (OHIM), the entire disclosure of which is hereby incorporated herein by reference. This application claims priority to Registered Community Design (RCD) Application No. 001438840, filed August 17, 2015 in the European (EU) Office for Harmonization in the Internal Market (OHIM), the entire disclosure of which is hereby incorporated herein by reference. --

Signed and Sealed this
Fourth Day of October, 2016



Michelle K. Lee
Director of the United States Patent and Trademark Office