



US00D750088S

(12) **United States Design Patent**  
**Reznik**

(10) **Patent No.:** **US D750,088 S**

(45) **Date of Patent:** **\*\* Feb. 23, 2016**

(54) **MOUNT FOR MOBILE DEVICE**

(71) Applicant: **Menachem Reznik**, Kfar Meishar (IL)

(72) Inventor: **Menachem Reznik**, Kfar Meishar (IL)

(\*\*) Term: **14 Years**

(21) Appl. No.: **29/519,716**

(22) Filed: **Mar. 6, 2015**

(30) **Foreign Application Priority Data**

Sep. 7, 2014 (IL) ..... 56023

Sep. 7, 2014 (IL) ..... 56024

(51) **LOC (10) Cl.** ..... **08-07**

(52) **U.S. Cl.**  
USPC ..... **D14/447**

(58) **Field of Classification Search**

USPC ..... D14/447, 432, 434, 439, 440, 451, 452,  
D14/457, 250, 251, 253; D3/218; D6/406.3,  
D6/406.4, 406.5, 406.6

CPC ..... A45C 2011/003; A45C 2011/002;  
A45C 13/002; A47B 2023/049; A47B  
2097/005; A47B 2097/006; A47B 21/04;  
A47B 23/00; A47B 23/043; A47B 2021/0307;  
A47B 2023/005; F16M 2200/00; H04B  
1/3888; H04M 1/04; H04M 1/185

See application file for complete search history.

(56) **References Cited**

**U.S. PATENT DOCUMENTS**

D602,938 S	*	10/2009	Ward	.....	D14/434
D662,502 S	*	6/2012	Wesolek	.....	D14/434
D689,500 S	*	9/2013	Faulk	.....	D14/447
D696,261 S	*	12/2013	Weldon	.....	D14/447
D703,675 S	*	4/2014	Jensen	.....	D14/447
D712,905 S	*	9/2014	Miyazaki	.....	D14/447
D714,281 S	*	9/2014	Reznik	.....	D14/251
D714,794 S	*	10/2014	Quijano	.....	D14/447
D721,711 S	*	1/2015	Chen	.....	D14/447
D724,598 S	*	3/2015	Gelsomini	.....	D14/447
D726,733 S	*	4/2015	Specht	.....	D14/447
D739,410 S	*	9/2015	Chun	.....	D14/447

D741,146 S \* 10/2015 Delrue ..... D14/447

\* cited by examiner

*Primary Examiner* — Angela J Lee

(74) *Attorney, Agent, or Firm* — Vorys, Sater, Seymour & Pease LLP

(57) **CLAIM**

The ornamental design for mount for a mobile device, as shown and described.

**DESCRIPTION**

FIG. 1 is a perspective view of a mount for mobile device; FIG. 2 is a top plan view of the mount for mobile device as seen in FIG. 1;

FIG. 3 is a bottom plan view of the mount for mobile device as seen in FIG. 1;

FIG. 4 is a right-side view of the mount for mobile device as seen in FIG. 1;

FIG. 5 is a left-side view of the mount for mobile device as seen in FIG. 1;

FIG. 6 is a front view of the mount for mobile device as seen in FIG. 1; and

FIG. 7 is a rear view of the mount for mobile device as seen in FIG. 1;

FIG. 8 is a perspective view of a mount for mobile device showing a second embodiment;

FIG. 9 is a top plan view of the mount for mobile device as seen in FIG. 8;

FIG. 10 is a bottom plan view of the mount for mobile device as seen in FIG. 8;

FIG. 11 is a right-side view of the mount for mobile device as seen in FIG. 8;

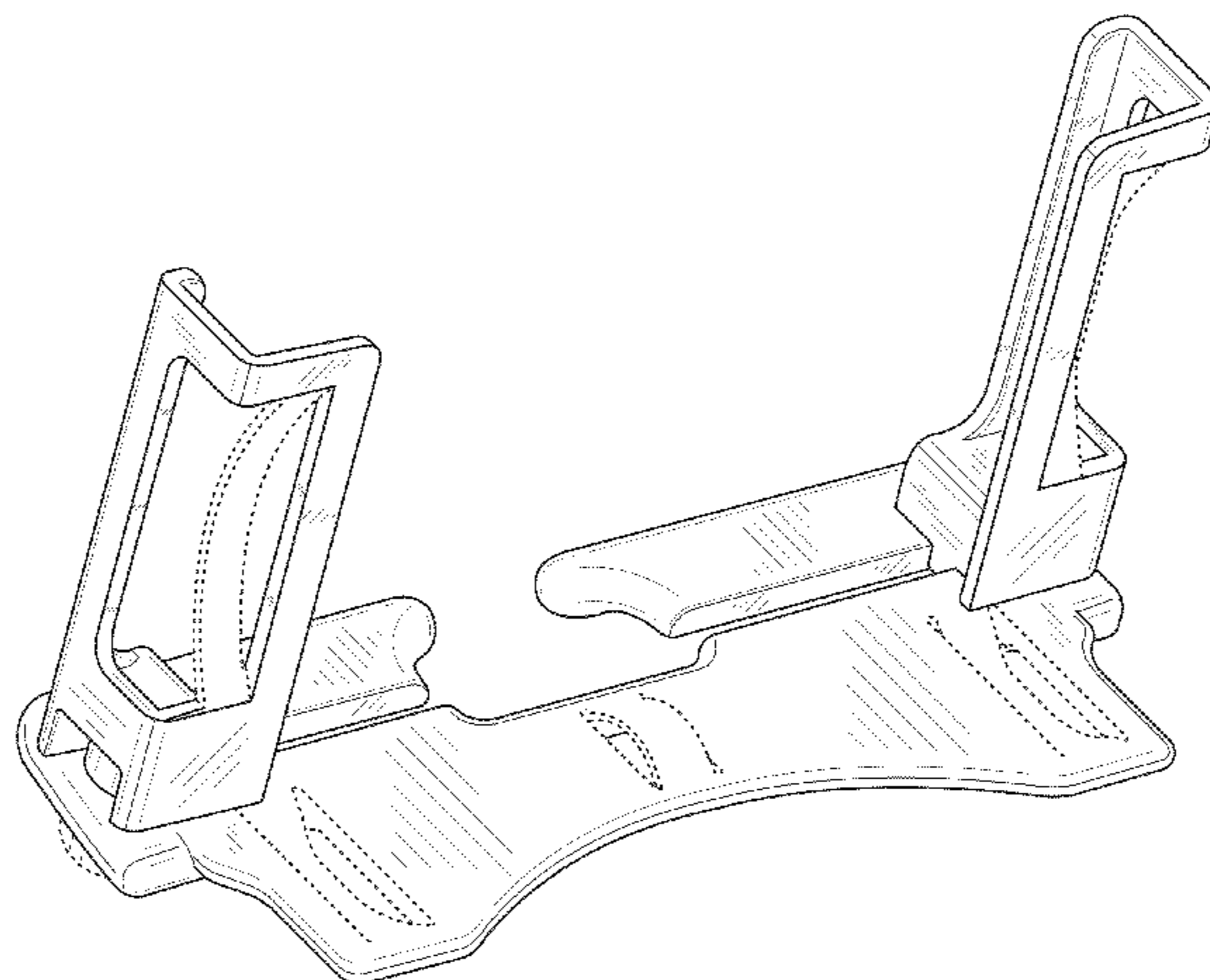
FIG. 12 is a left-side view of the mount for mobile device as seen in FIG. 8;

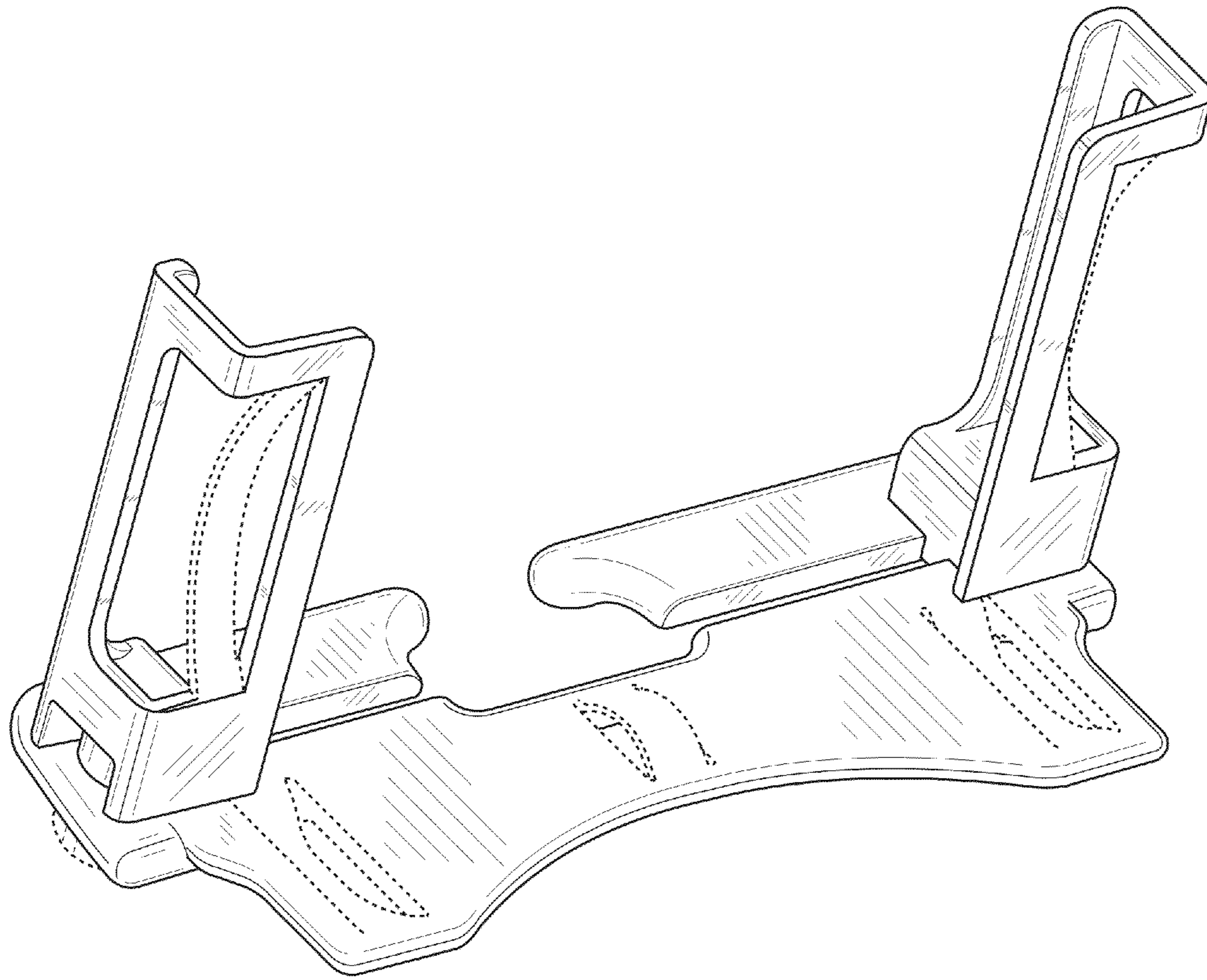
FIG. 13 is a front view of the mount for mobile device as seen in FIG. 8; and,

FIG. 14 is a rear view of the mount for mobile device as seen in FIG. 8.

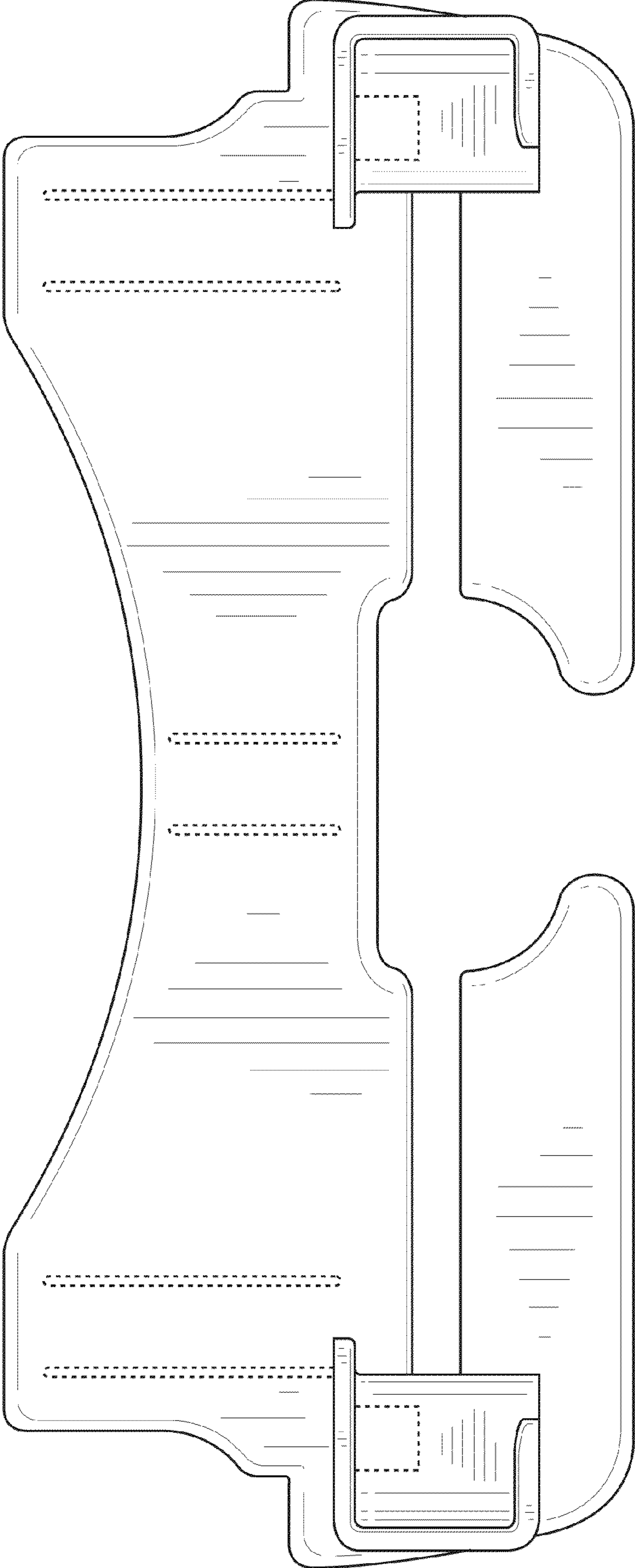
The parts that are delineated in broken lines form no part of the claimed design.

**1 Claim, 14 Drawing Sheets**



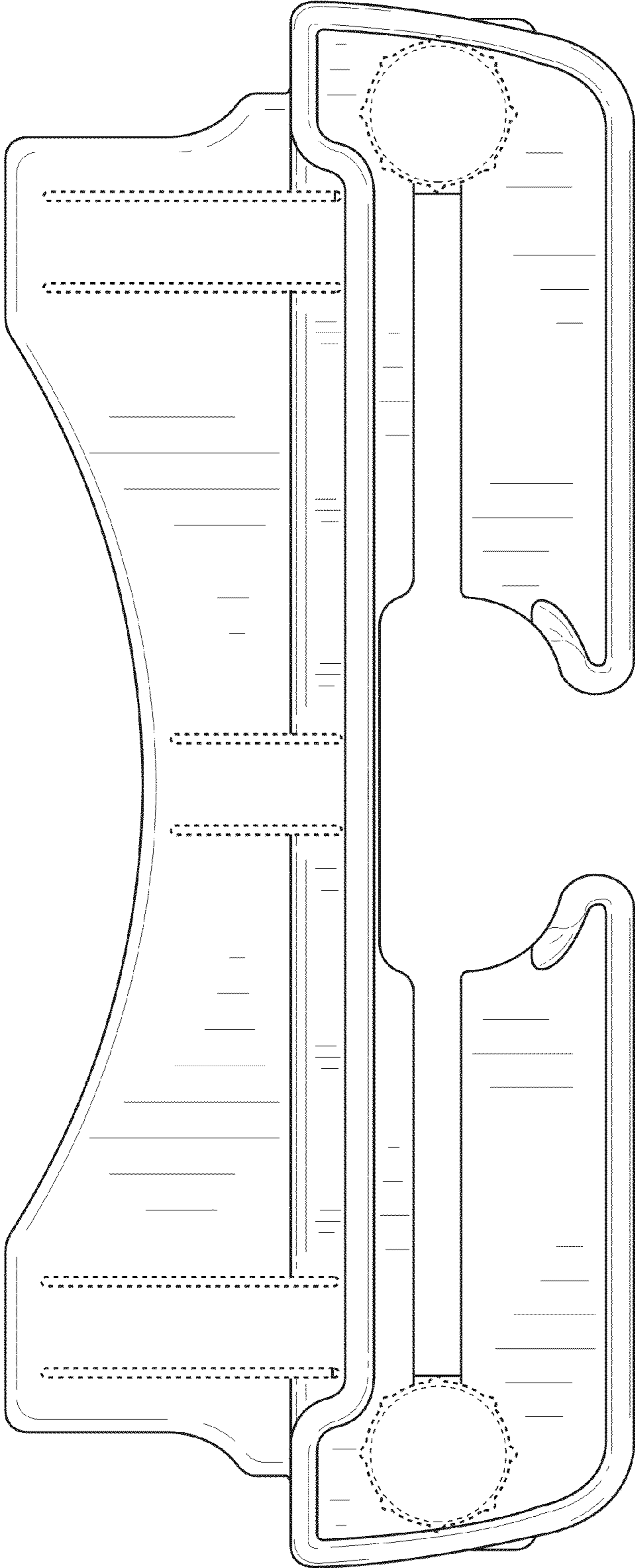


**FIG. 1**

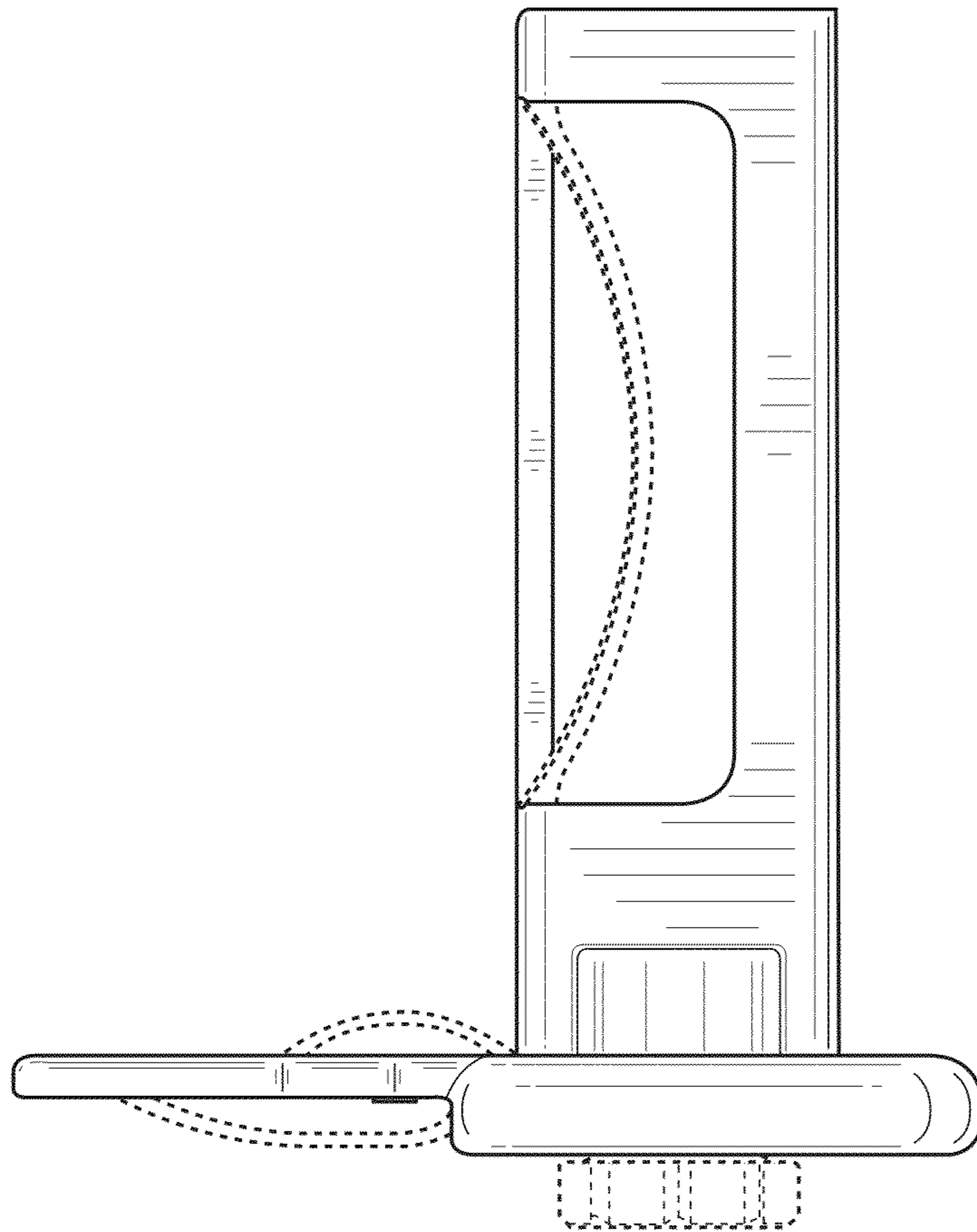


**FIG. 2**

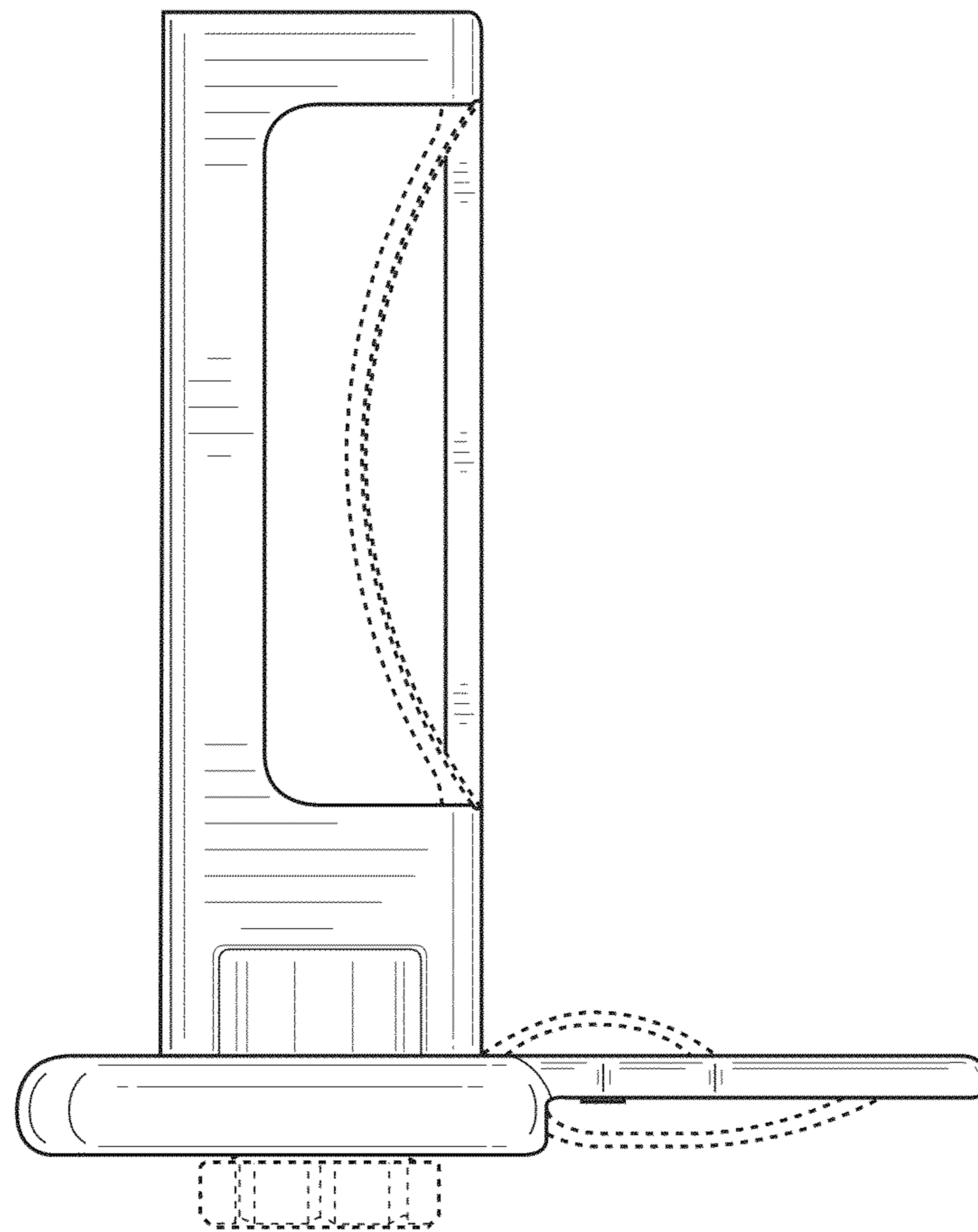




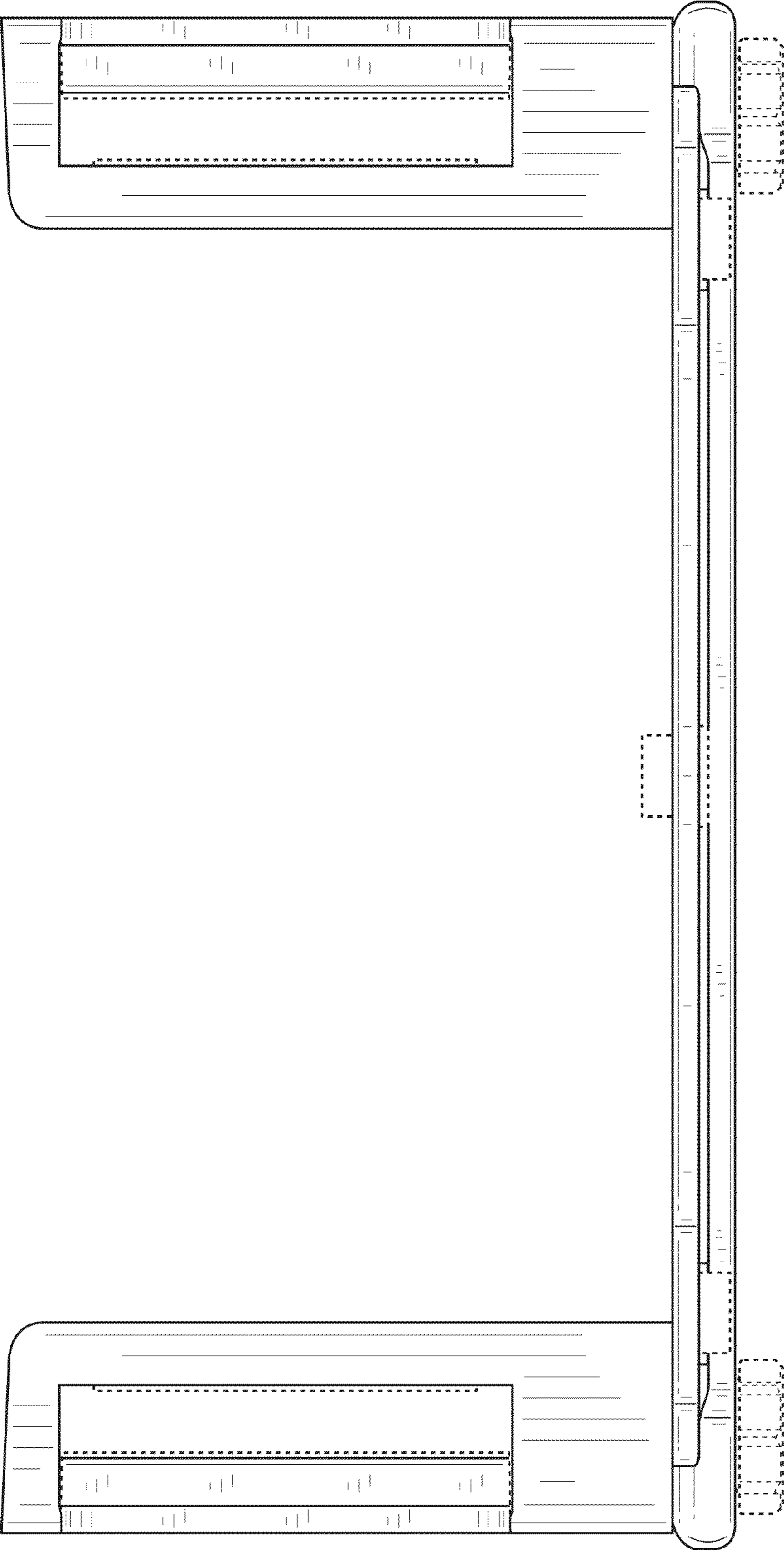
**FIG. 3**



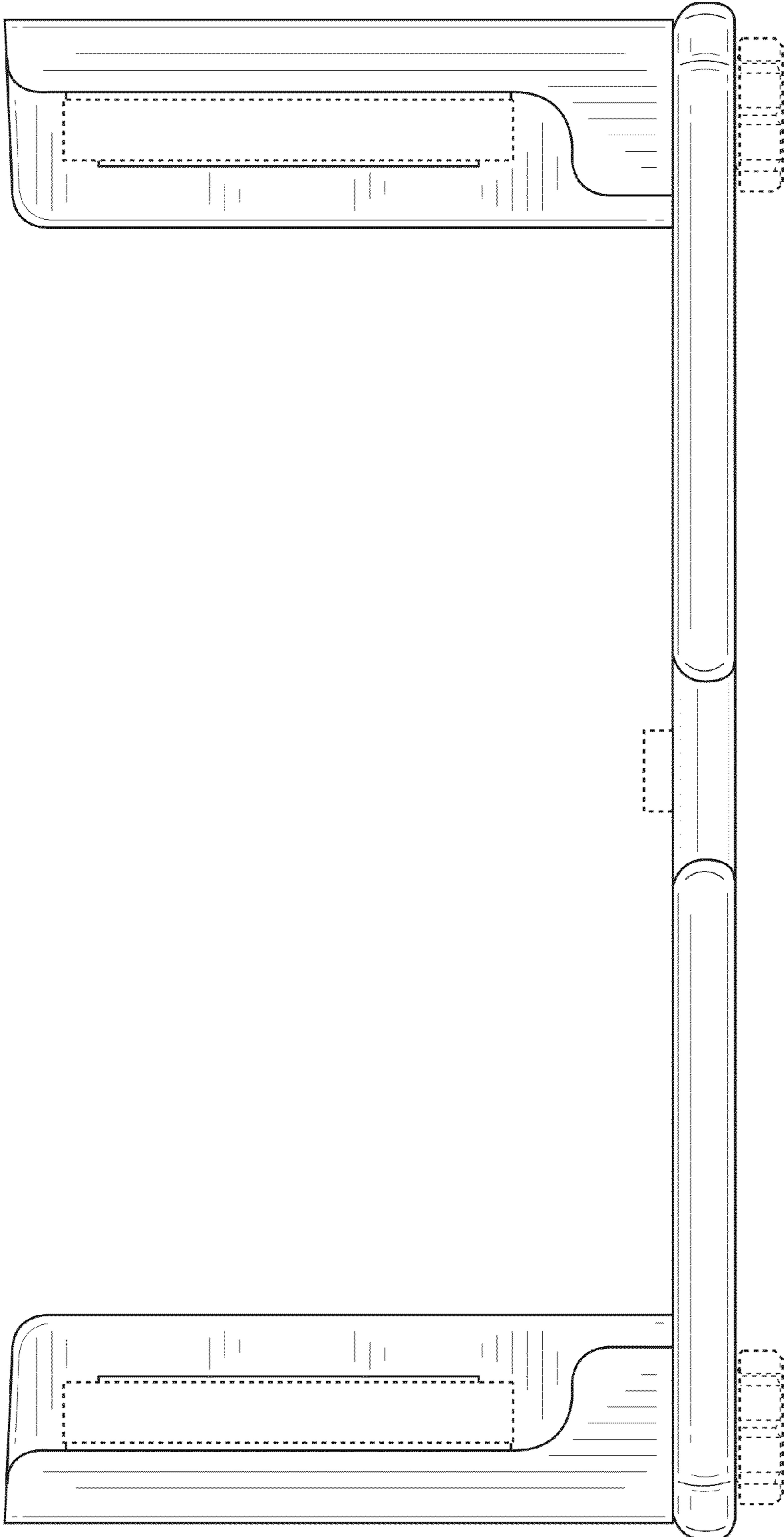
**FIG. 4**



**FIG. 5**

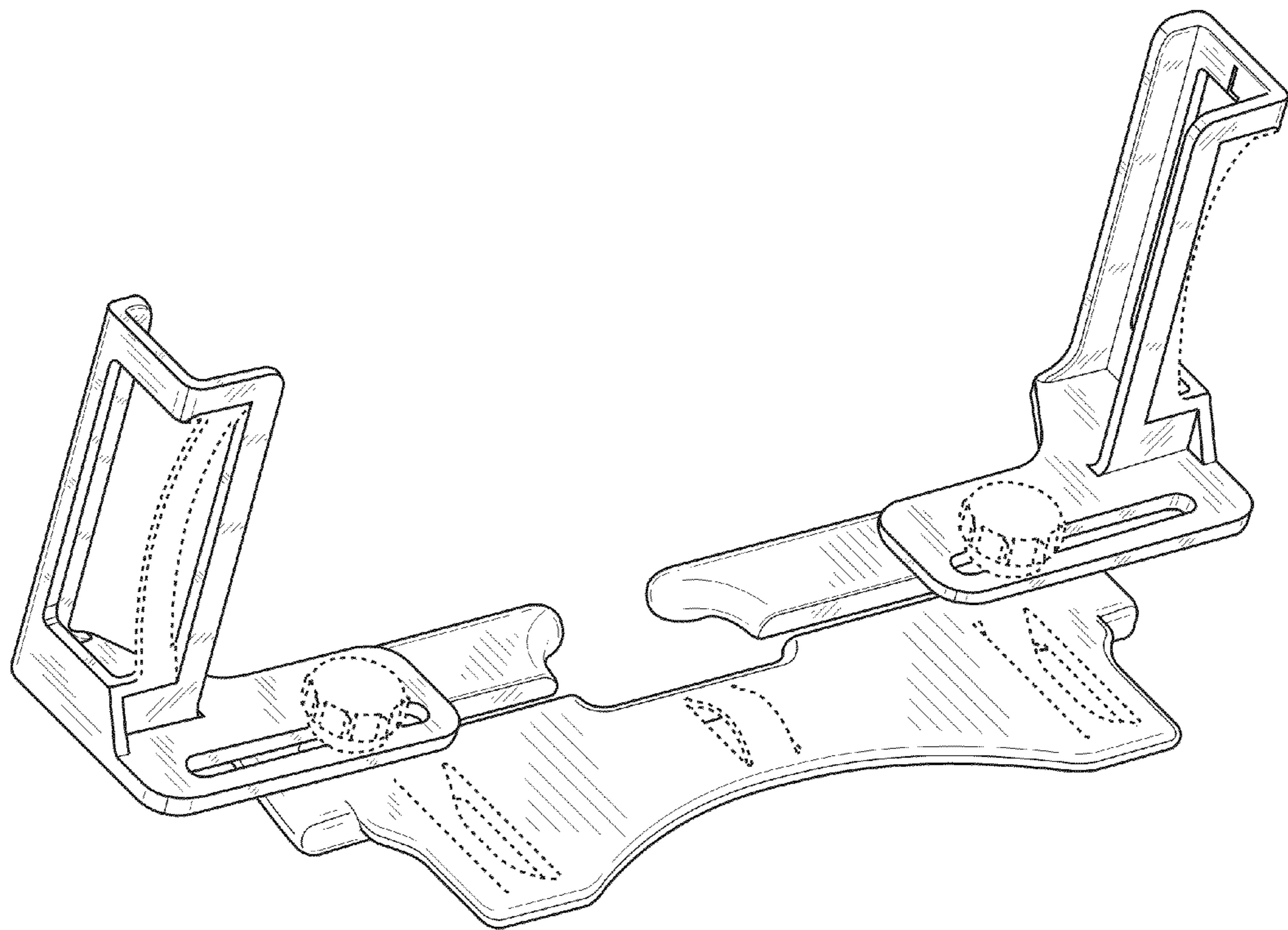


**FIG. 6**

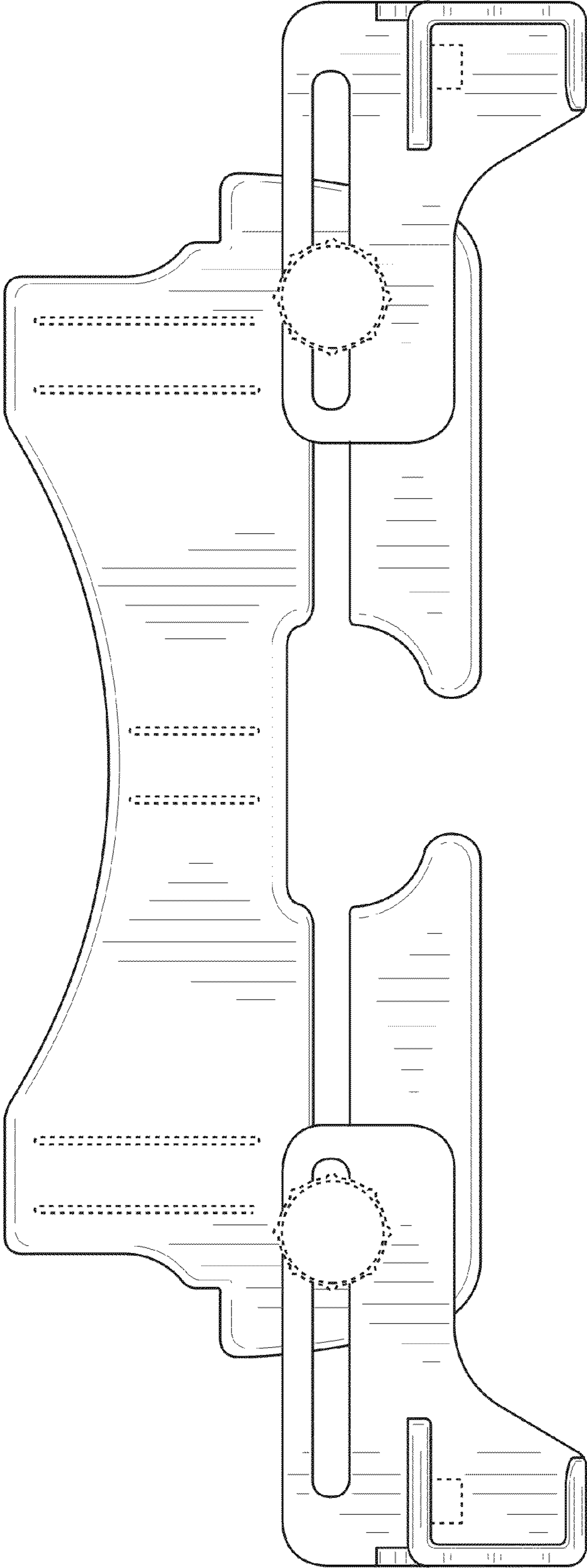


**FIG. 7**

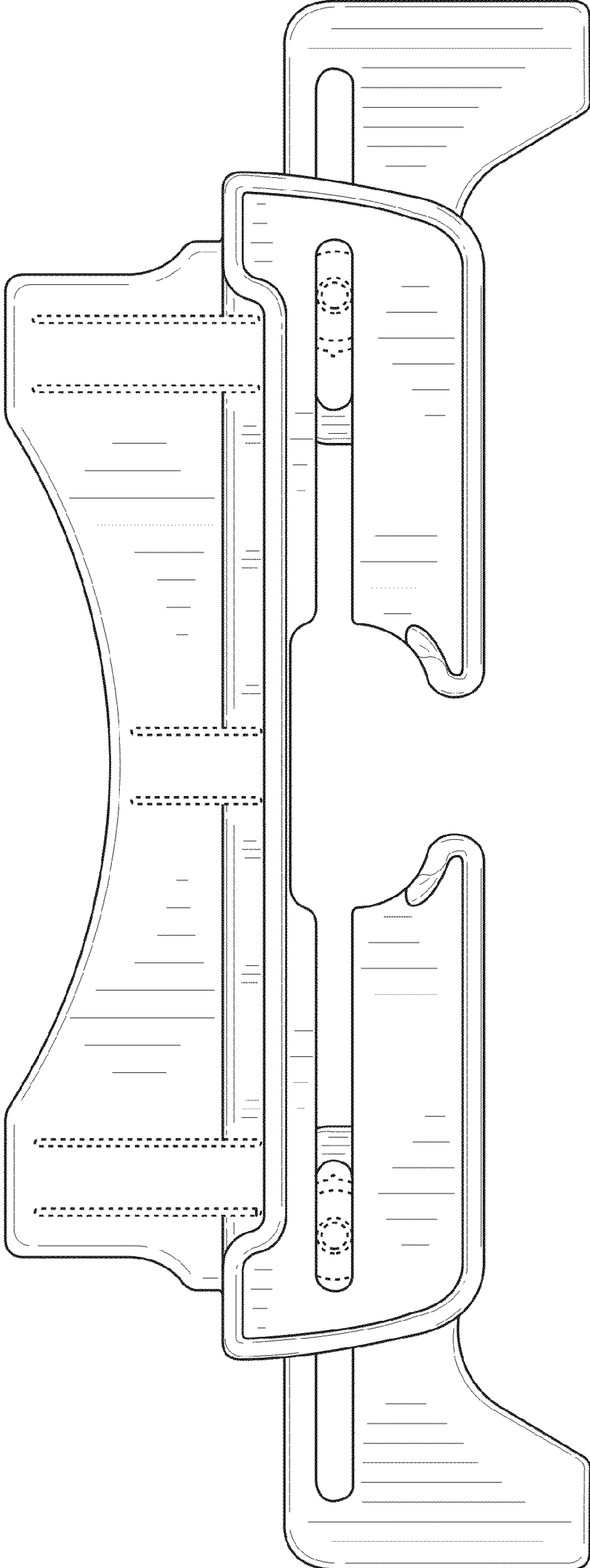




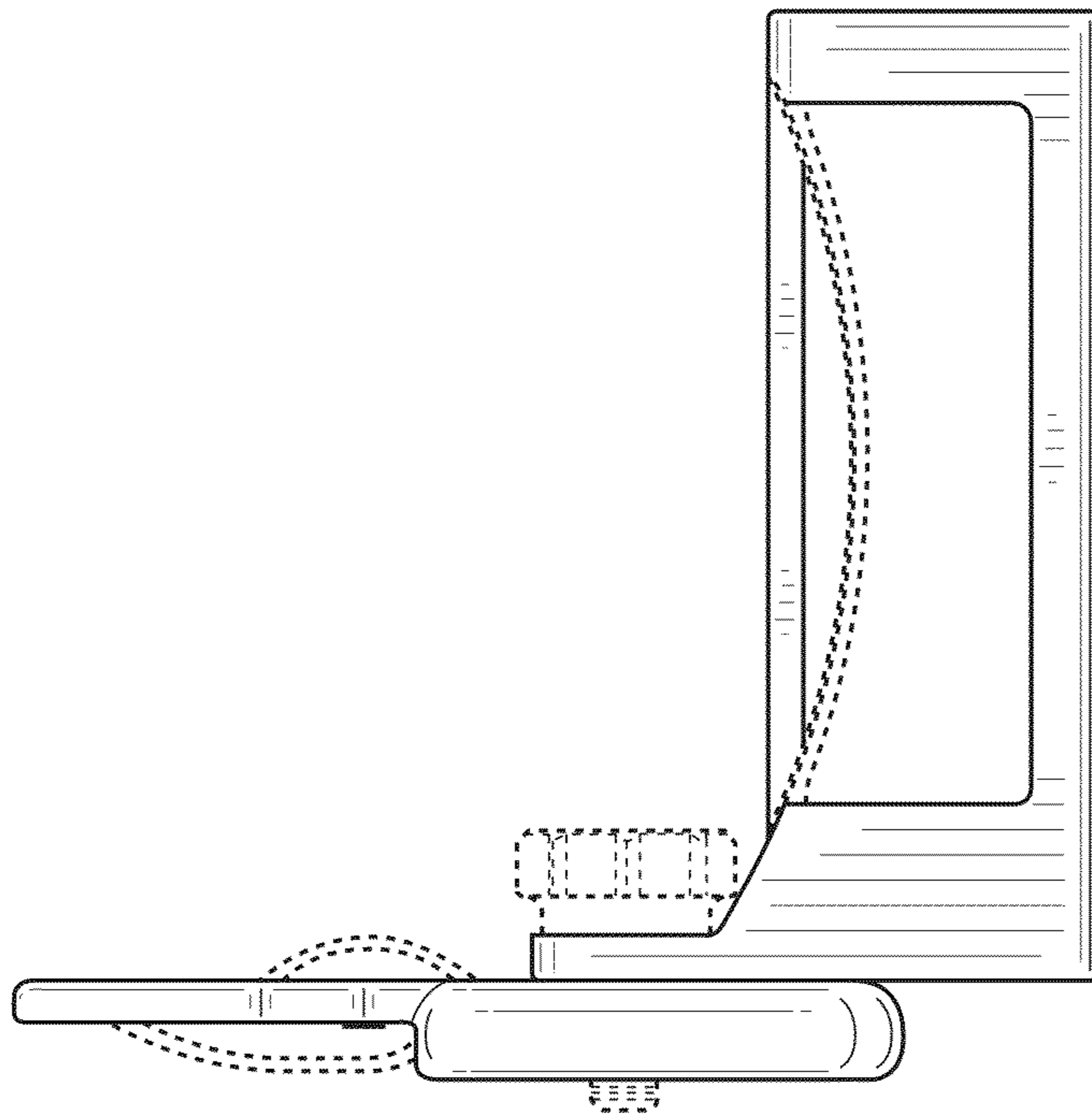
**FIG. 8**



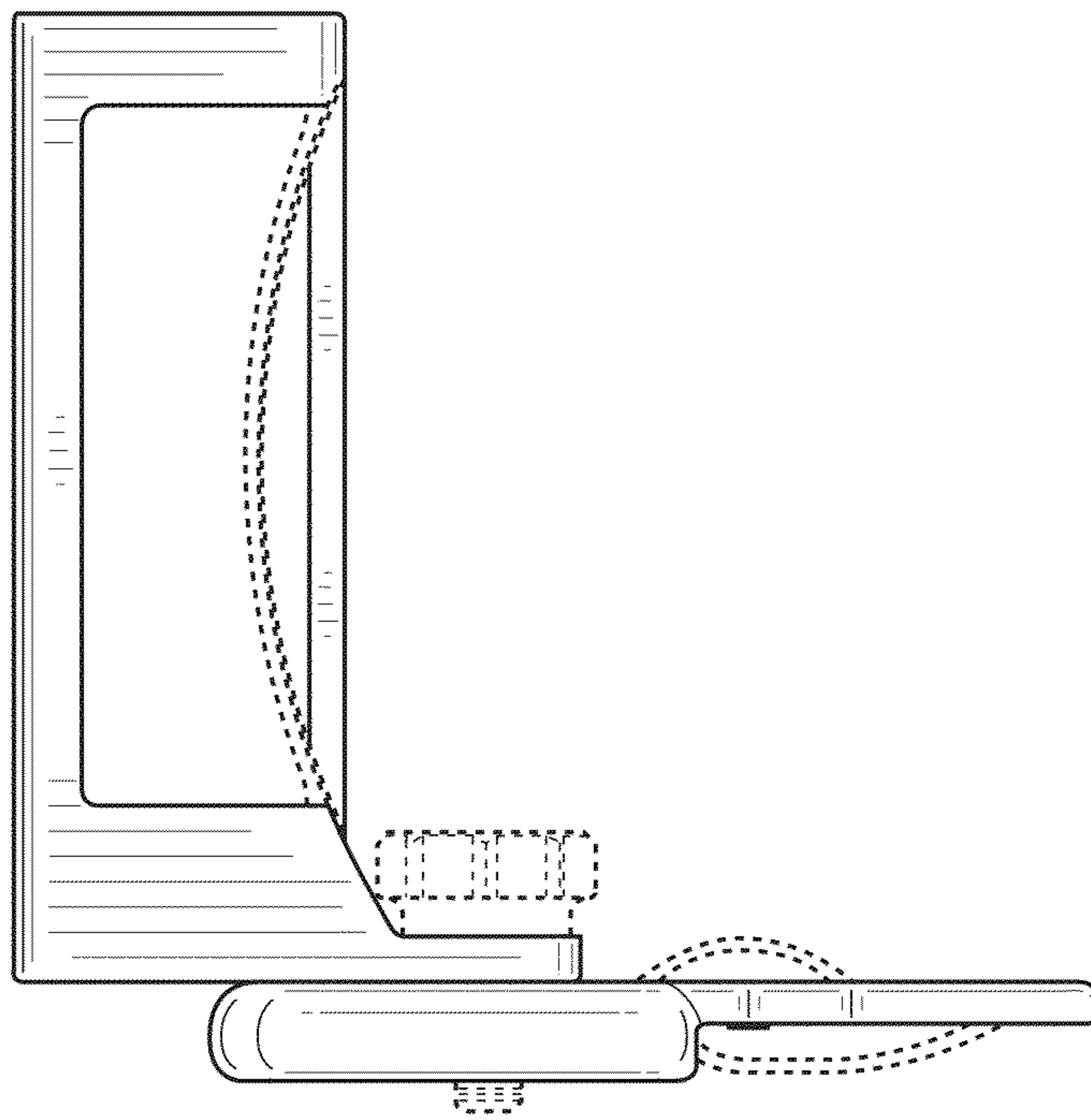
**FIG. 9**



**FIG. 10**



**FIG. 11**



**FIG. 12**



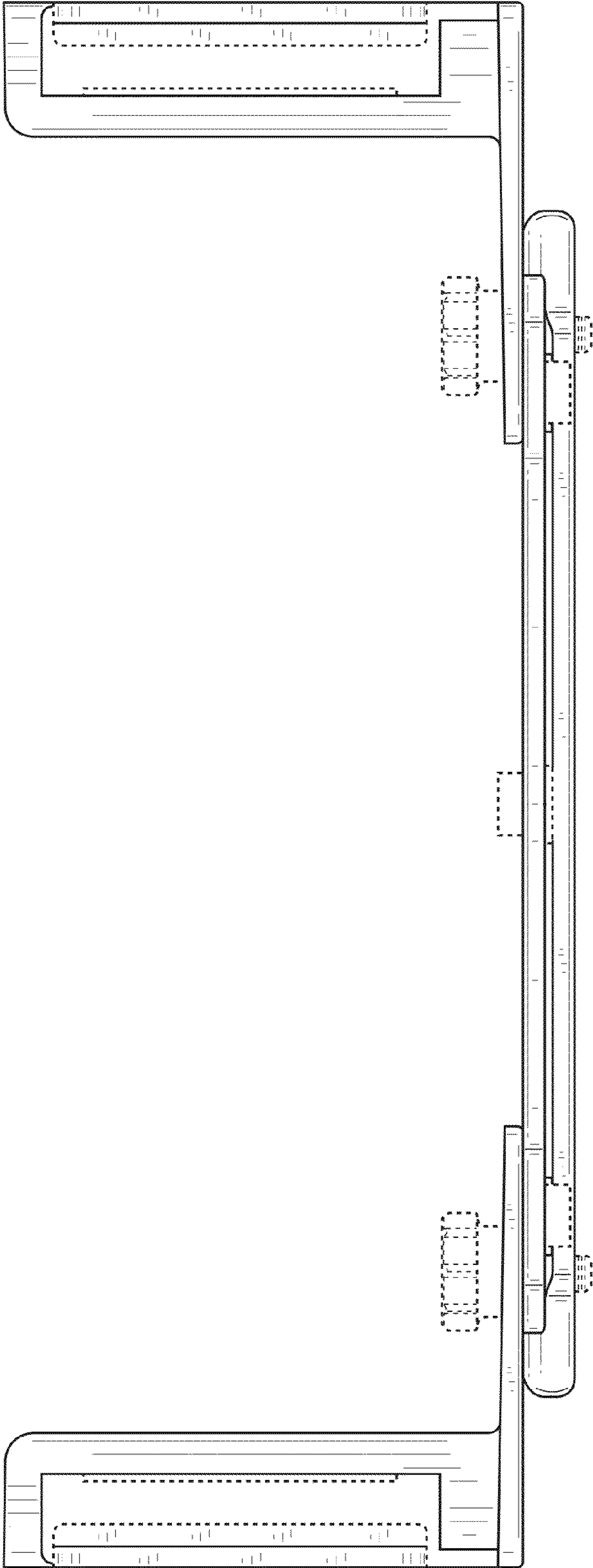


FIG. 13

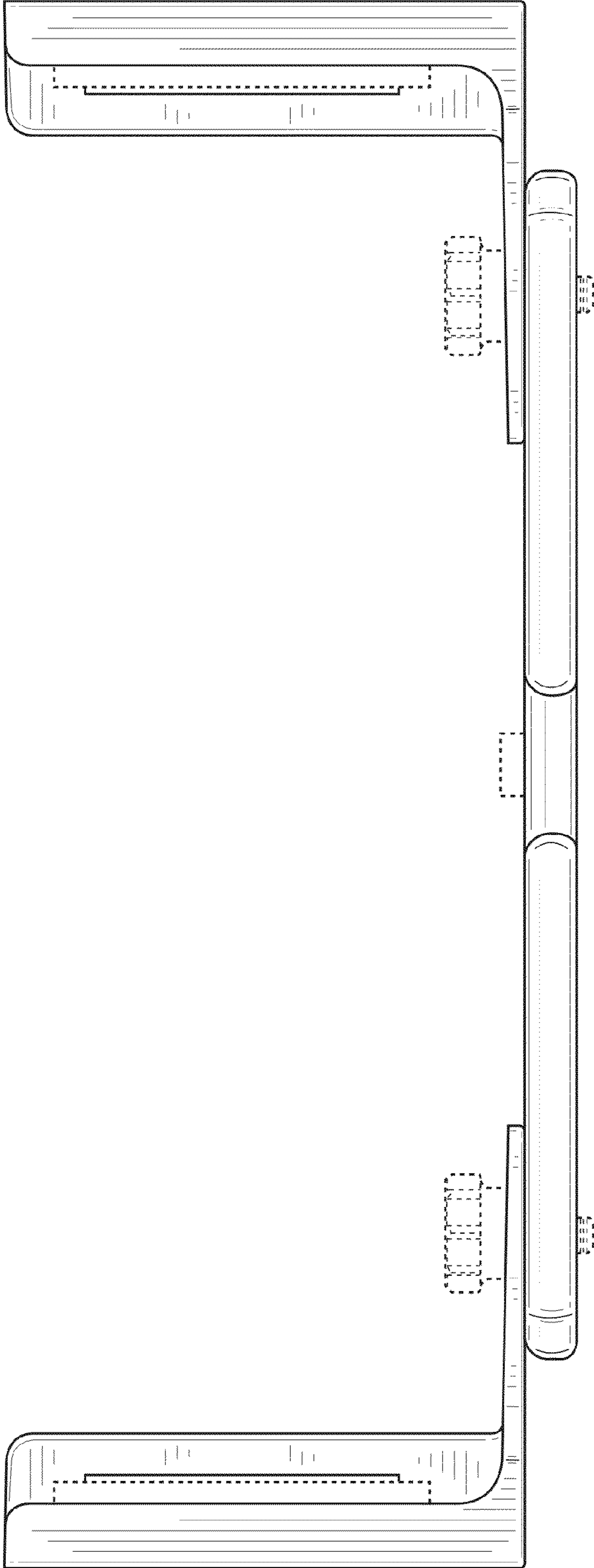


FIG. 14