



US00D750087S

(12) **United States Design Patent**
Wu

(10) **Patent No.:** **US D750,087 S**
(45) **Date of Patent:** **** Feb. 23, 2016**

(54) **ELECTRONIC DEVICE STAND**
(71) Applicant: **Lien Wu**, New York, NY (US)
(72) Inventor: **Lien Wu**, New York, NY (US)
(**) Term: **14 Years**
(21) Appl. No.: **29/518,756**

D558,772 S *	1/2008	Derry	D14/447
D581,252 S *	11/2008	Short	D8/354
D592,188 S *	5/2009	Huang	D14/217
D637,593 S *	5/2011	Zanetti	D14/253
D640,707 S *	6/2011	Yeh	D14/447
D641,610 S *	7/2011	Sedalo	D8/354
D650,372 S *	12/2011	Molter	D14/239
D653,668 S *	2/2012	Song	D14/447
D669,481 S *	10/2012	Prescott	D14/447
D686,629 S *	7/2013	Trinh	D14/447
D712,413 S *	9/2014	Fukai	D14/440

(22) Filed: **Feb. 26, 2015**
(51) **LOC (10) Cl.** **08-07**
(52) **U.S. Cl.**
USPC **D14/447**
(58) **Field of Classification Search**
USPC D14/447, 432, 434, 439, 440, 451, 452,
D14/457, 250, 251, 253; D3/218; D6/406.3,
D6/406.4, 406.5, 406.6
CPC A45C 2011/003; A45C 2011/002;
A45C 13/002; A47B 2023/049; A47B
2097/005; A47B 2097/006; A47B 21/04;
A47B 23/00; A47B 23/043; A47B 2021/0307;
A47B 2023/005; H04B 1/3888; H04M 1/04;
H04M 1/185
See application file for complete search history.

* cited by examiner

Primary Examiner — Angela J Lee

(74) *Attorney, Agent, or Firm* — Quickpatents, LLC; Kevin Prince

(57) **CLAIM**

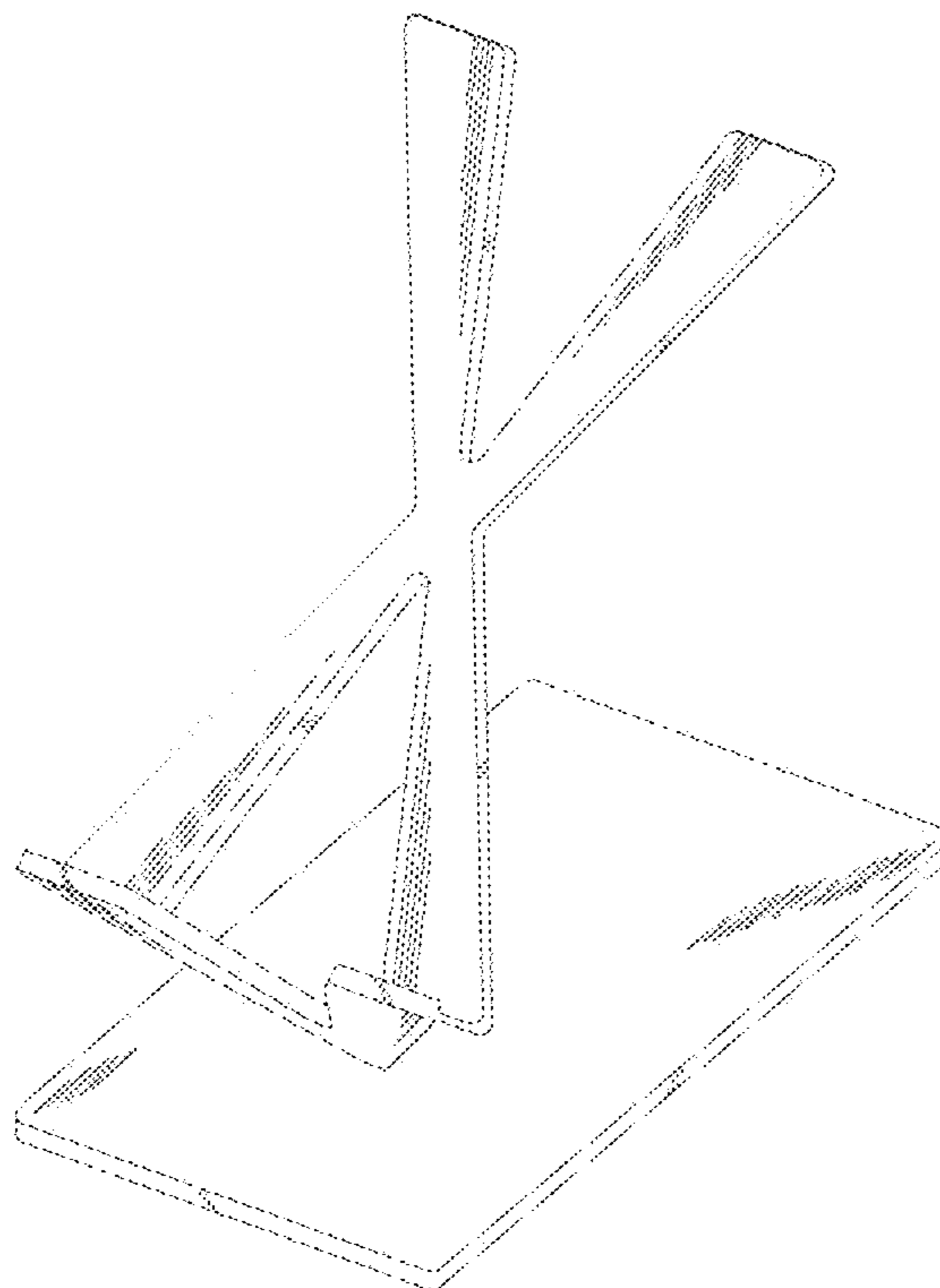
I claim the ornamental design for an electronic device stand, as shown and described.

DESCRIPTION

FIG. 1 is a front perspective view of an electronic device stand, showing my new design;
FIG. 2 is a front elevational view thereof;
FIG. 3 is a rear elevational view thereof;
FIG. 4 is a right-side elevational view thereof, the left-side elevational view being a mirror image thereof;
FIG. 5 is a top plan view thereof,
FIG. 6 is a bottom plan view thereof; and,
FIG. 7 is a rear perspective view thereof.

(56) **References Cited**
U.S. PATENT DOCUMENTS
7,035,100 B2 * 4/2006 Lord F16M 13/00
361/679.41
D558,771 S * 1/2008 Derry D14/447

1 Claim, 4 Drawing Sheets



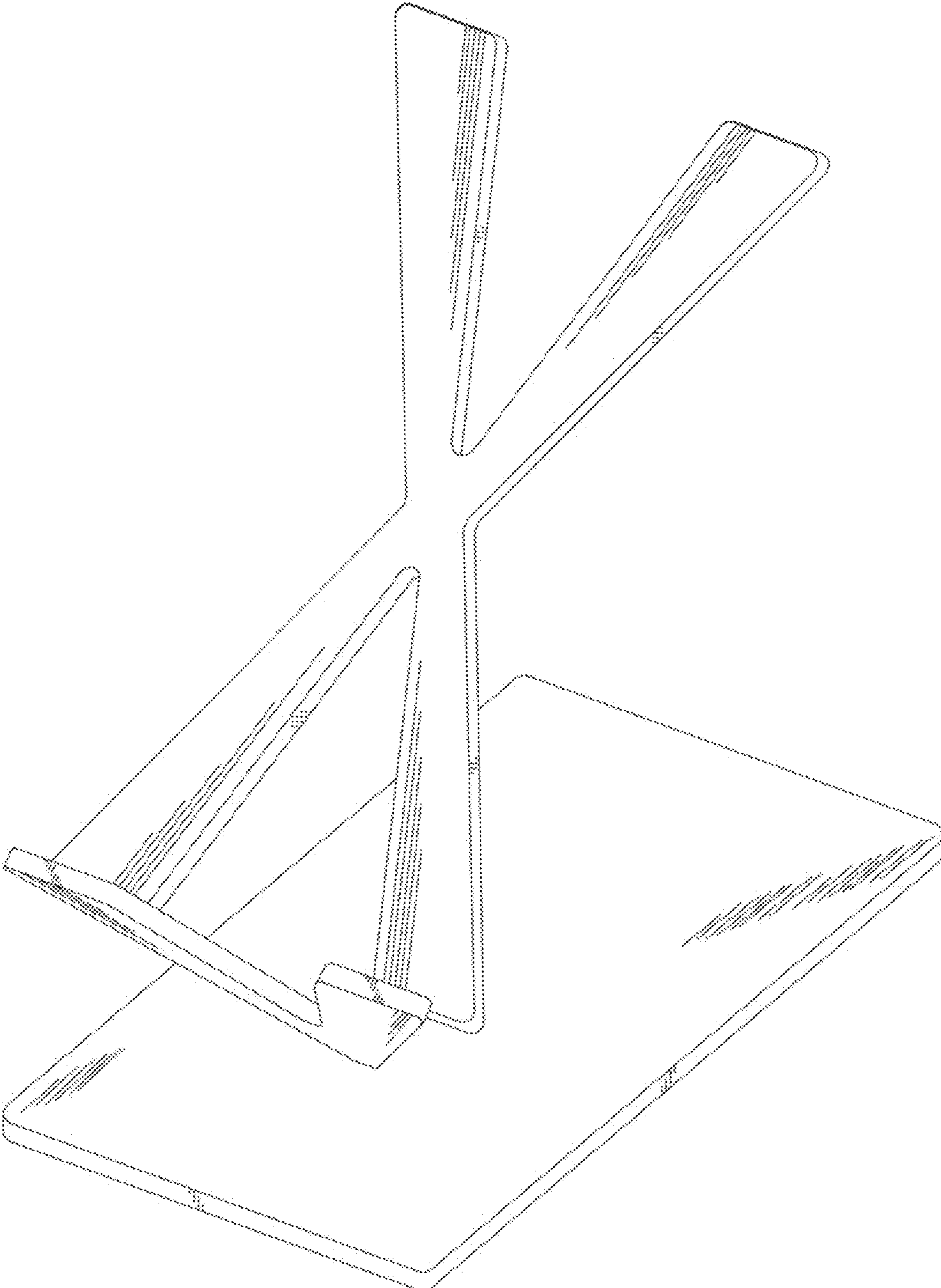


FIG1

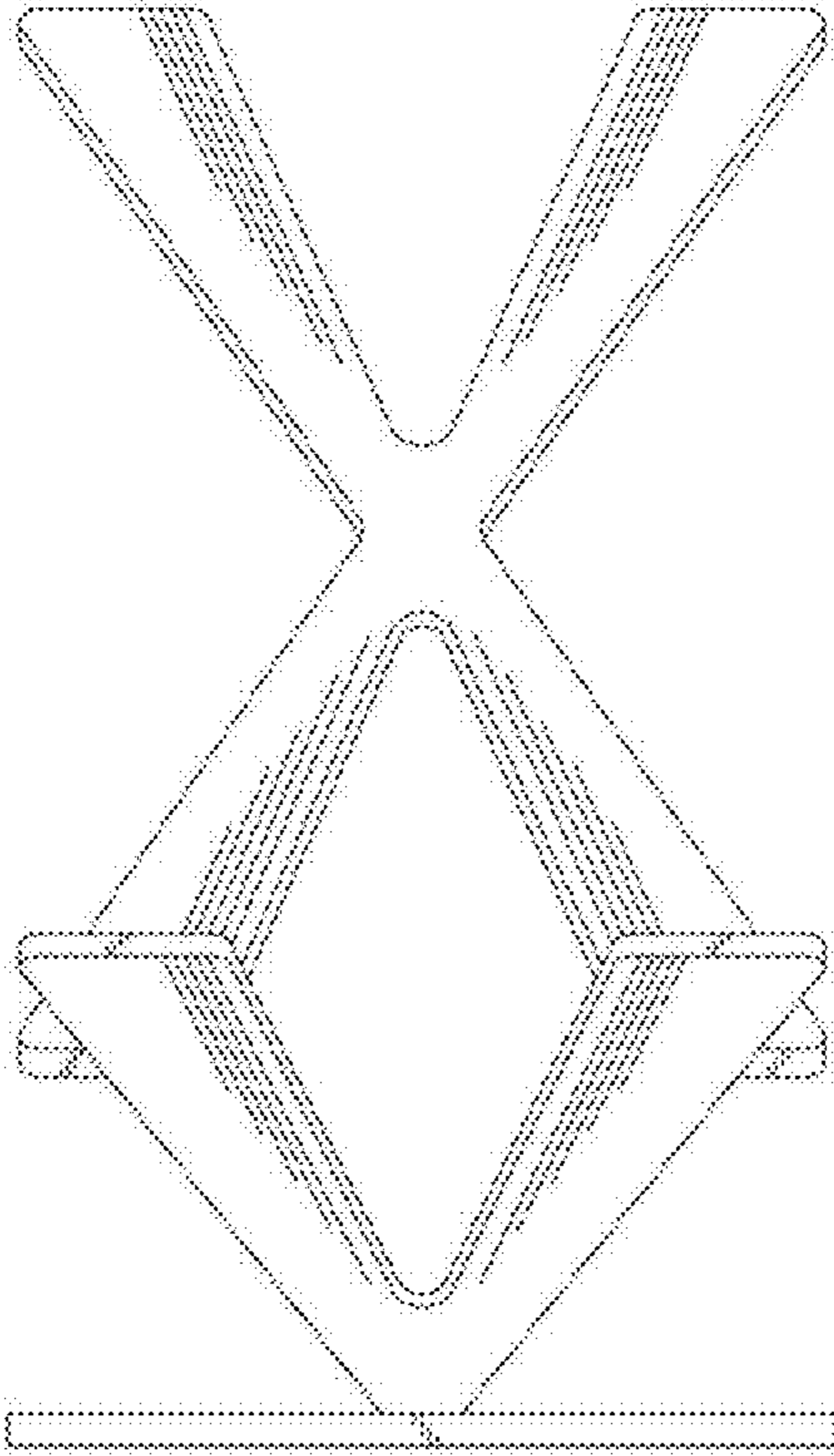


FIG. 2

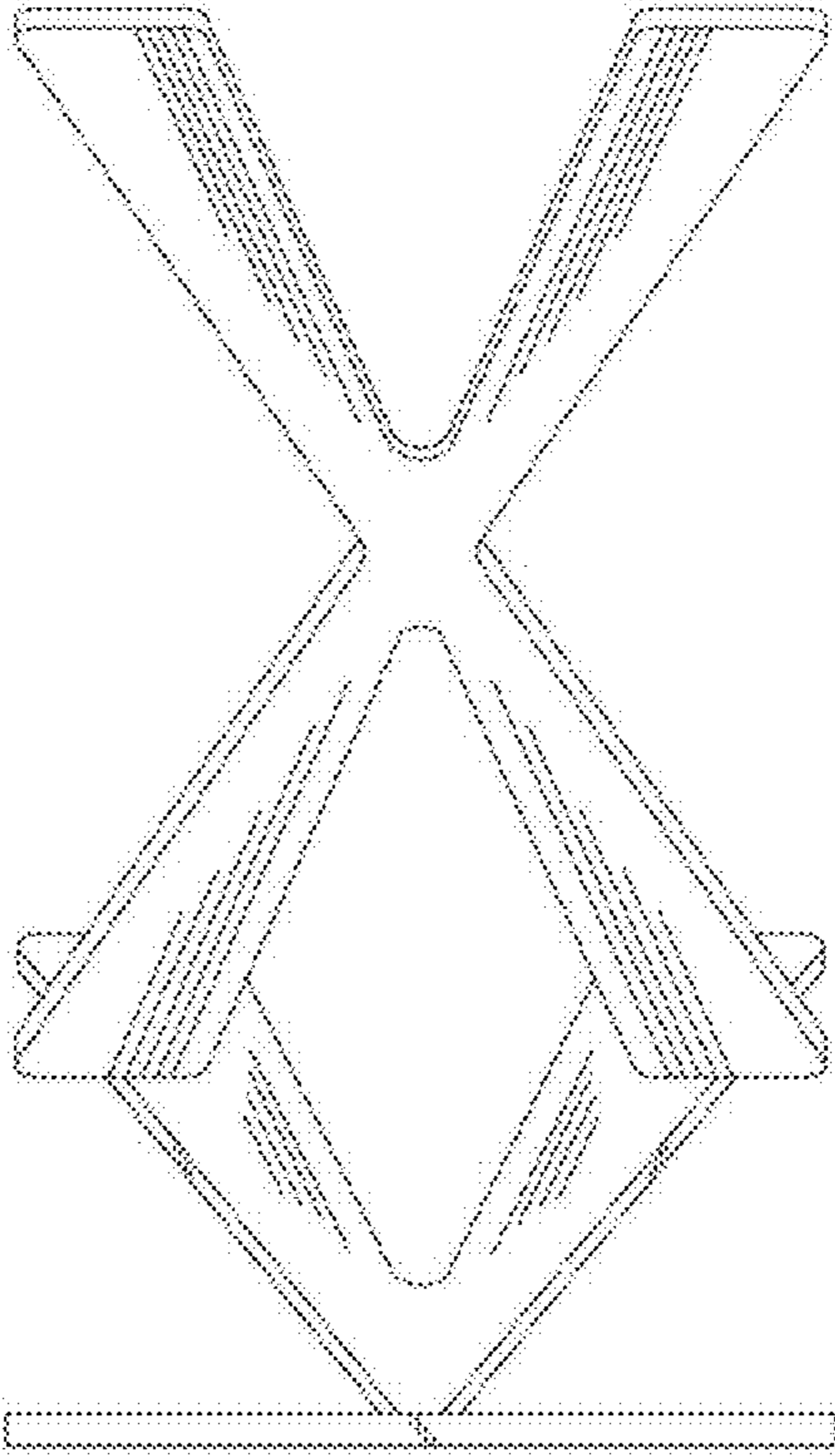


FIG. 3

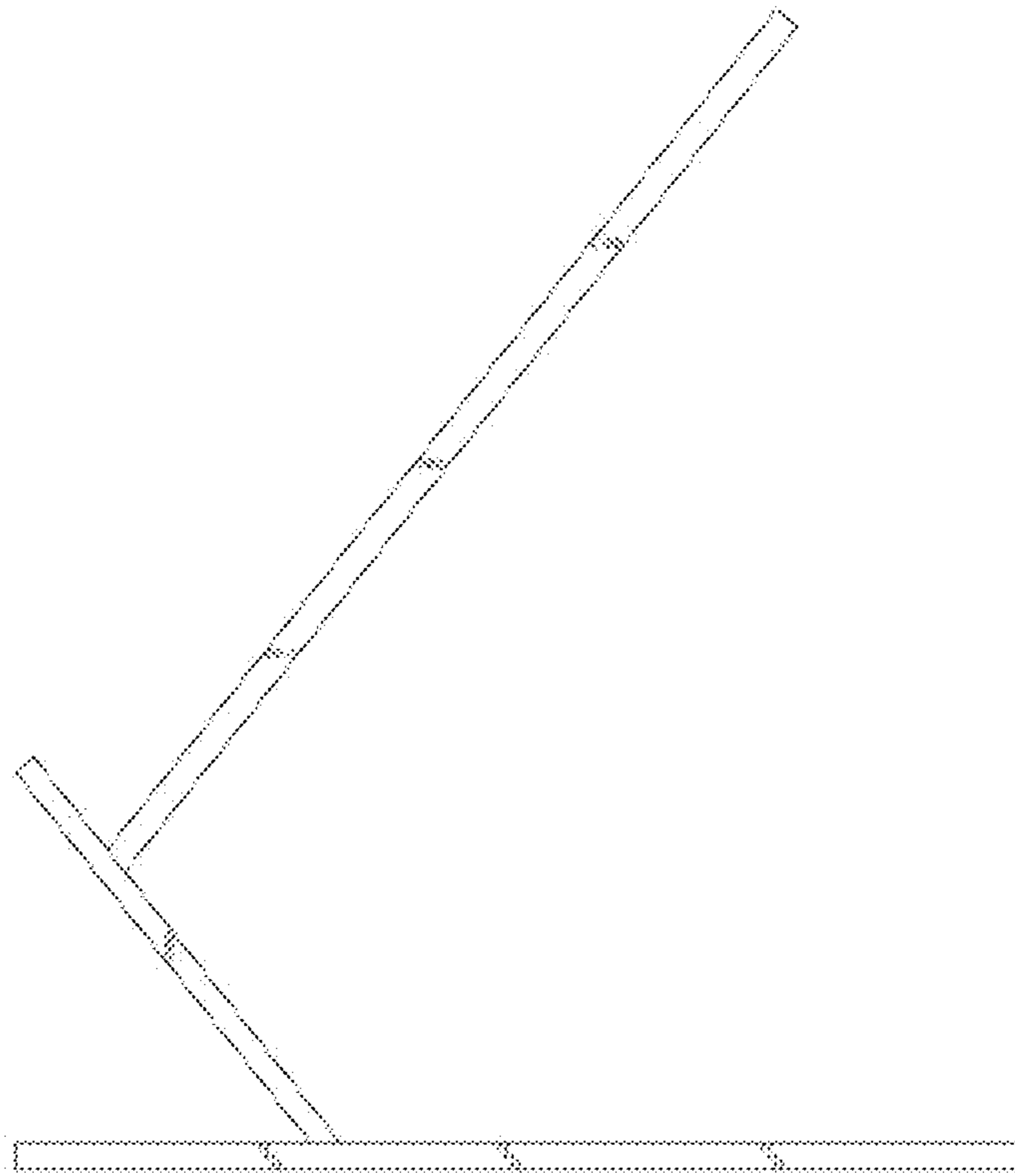


FIG. 4

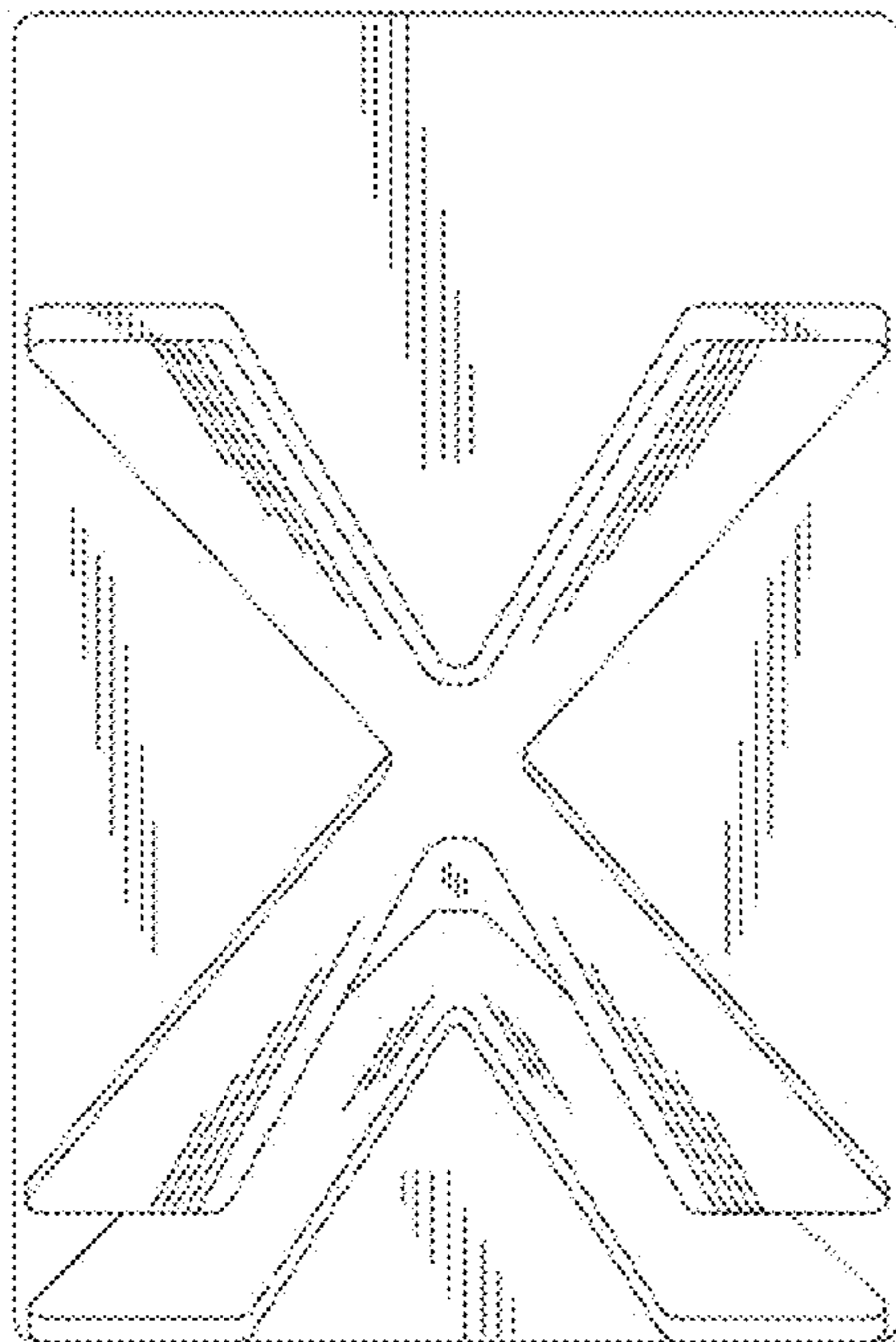


FIG. 5

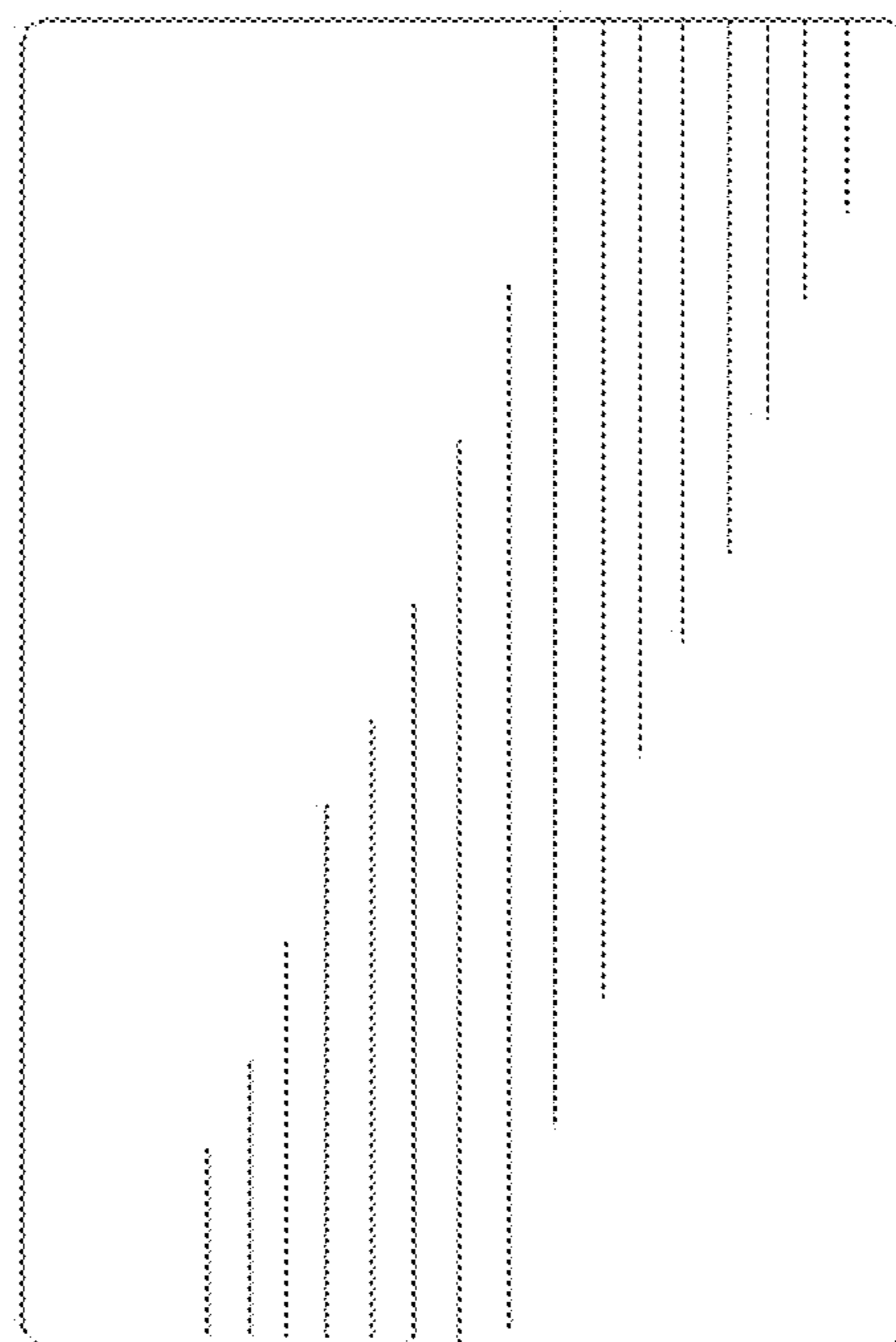


FIG. 6

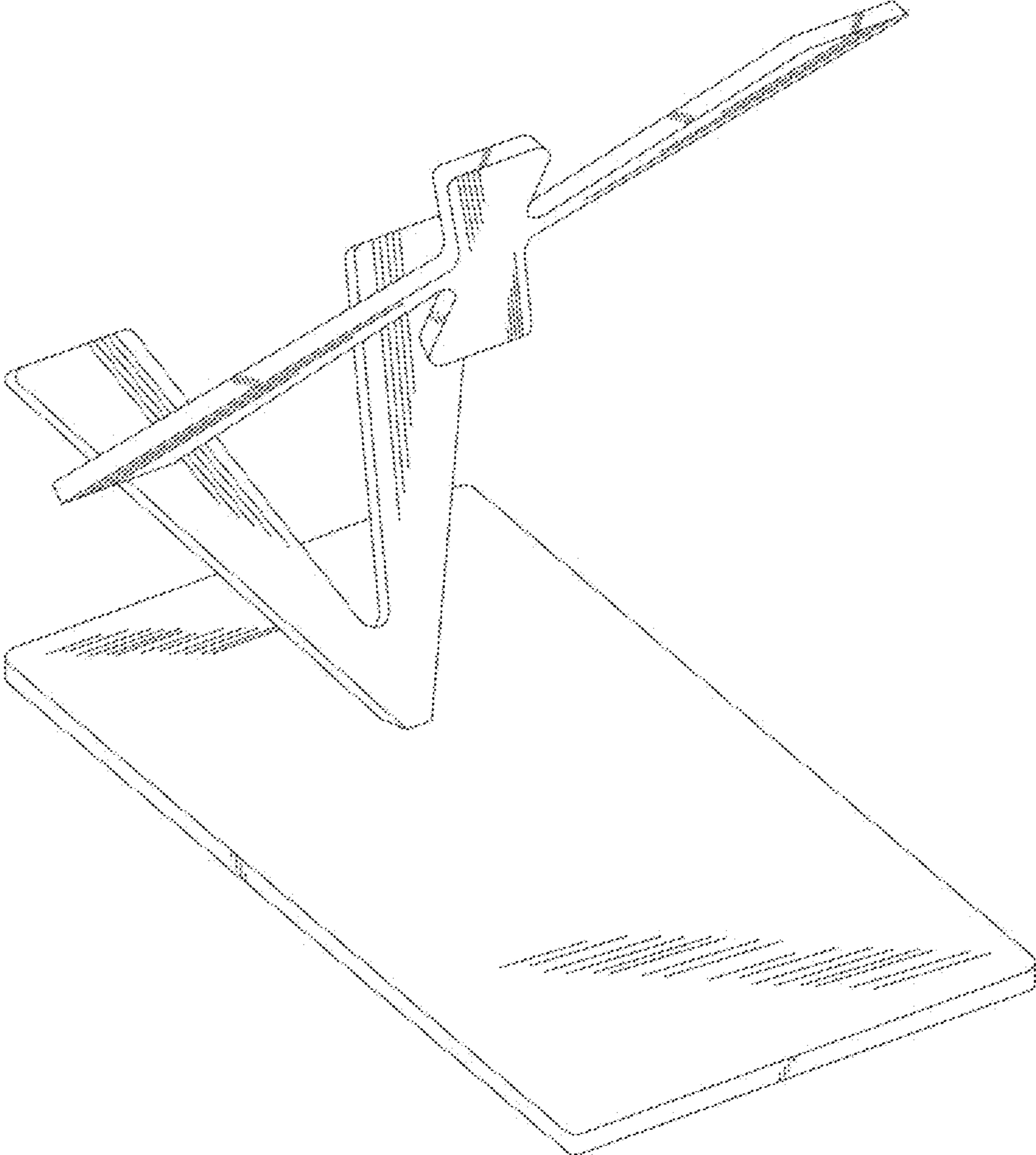


FIG. 7