



US00D750086S

(12) **United States Design Patent**
Langhein

(10) **Patent No.:** **US D750,086 S**

(45) **Date of Patent:** **** Feb. 23, 2016**

(54) **TABLET COMPUTER CASE**

(71) Applicant: **FLB Group Limited**, Edinburgh (GB)

(72) Inventor: **Julia Elsa Langhein**, London (GB)

(73) Assignee: **FLB GROUP LIMITED**, Edinburgh (GB)

(**) Term: **15 Years**

(21) Appl. No.: **29/538,622**

(22) Filed: **Sep. 4, 2015**

(30) **Foreign Application Priority Data**

Aug. 17, 2015 (EM) 001438840

Aug. 17, 2015 (EM) 002755637

(51) **LOC (10) Cl.** **08-07**

(52) **U.S. Cl.**
USPC **D14/440**

(58) **Field of Classification Search**
USPC D14/447, 432, 434, 439, 440, 451, 452,
D14/457, 250, 251, 253; D3/218; D6/406.3,
D6/406.4, 406.5, 406.6
CPC A45C 2011/003; A45C 2011/002;
A45C 13/002; A47B 2023/049; A47B
2097/005; A47B 2097/006; A47B 21/04;
A47B 23/00; A47B 23/043; A47B 2021/0307;
A47B 2023/005; F16M 2200/00; H04B
1/3888; H04M 1/04; H04M 1/185

See application file for complete search history.

(56) **References Cited**

U.S. PATENT DOCUMENTS

- 7,281,698 B2 10/2007 Patterson, Jr.
- D660,305 S 5/2012 Ho et al.
- D670,703 S * 11/2012 Hasbrook D14/447
- D672,146 S 12/2012 Fathollahi
- D672,353 S 12/2012 Liu
- 8,328,008 B2 12/2012 Diebel et al.
- D674,803 S 1/2013 Westrup
- D676,055 S 2/2013 Izen et al.
- D676,854 S 2/2013 Hsu et al.
- 8,382,059 B2 2/2013 Le Gette et al.

- D684,978 S * 6/2013 Phillips D14/440
- D689,502 S 9/2013 Belitz et al.
- D690,305 S * 9/2013 Wen D14/440
- 8,607,976 B2 12/2013 Wu et al.
- D700,186 S * 2/2014 Feng D14/447
- 8,708,140 B2 4/2014 Liu
- D707,229 S 6/2014 Almodova
- 8,746,449 B2 6/2014 Gallagher et al.
- 8,763,795 B1 7/2014 Oten et al.
- 8,800,763 B2 8/2014 Hale
- D712,412 S 9/2014 Bleau et al.
- D712,413 S 9/2014 Fukai
- D718,771 S * 12/2014 Huang D14/447
- D722,059 S * 2/2015 Hirst D14/440
- D724,092 S 3/2015 Zangari et al.
- D729,256 S * 5/2015 Feng D14/447
- D729,810 S 5/2015 Klusener
- D733,150 S 6/2015 Sirichai
- D733,154 S 6/2015 Armstrong et al.
- D737,828 S * 9/2015 Albano D14/440
- 2011/0290687 A1 12/2011 Han
- 2012/0006950 A1 1/2012 Vandiver
- 2012/0012483 A1 1/2012 Fan
- 2012/0043247 A1 2/2012 Westrup
- 2013/0241381 A1 9/2013 Hyneczek et al.
- 2014/0158563 A1 * 6/2014 Young A45F 5/10
206/216
- 2014/0238876 A1 8/2014 Chen et al.
- 2015/0122850 A1 * 5/2015 Quehl A45C 11/00
224/191
- 2015/0129438 A1 * 5/2015 Quehl A45C 11/00
206/45.2
- 2015/0282579 A1 * 10/2015 Piro A45C 1/06
206/756

OTHER PUBLICATIONS

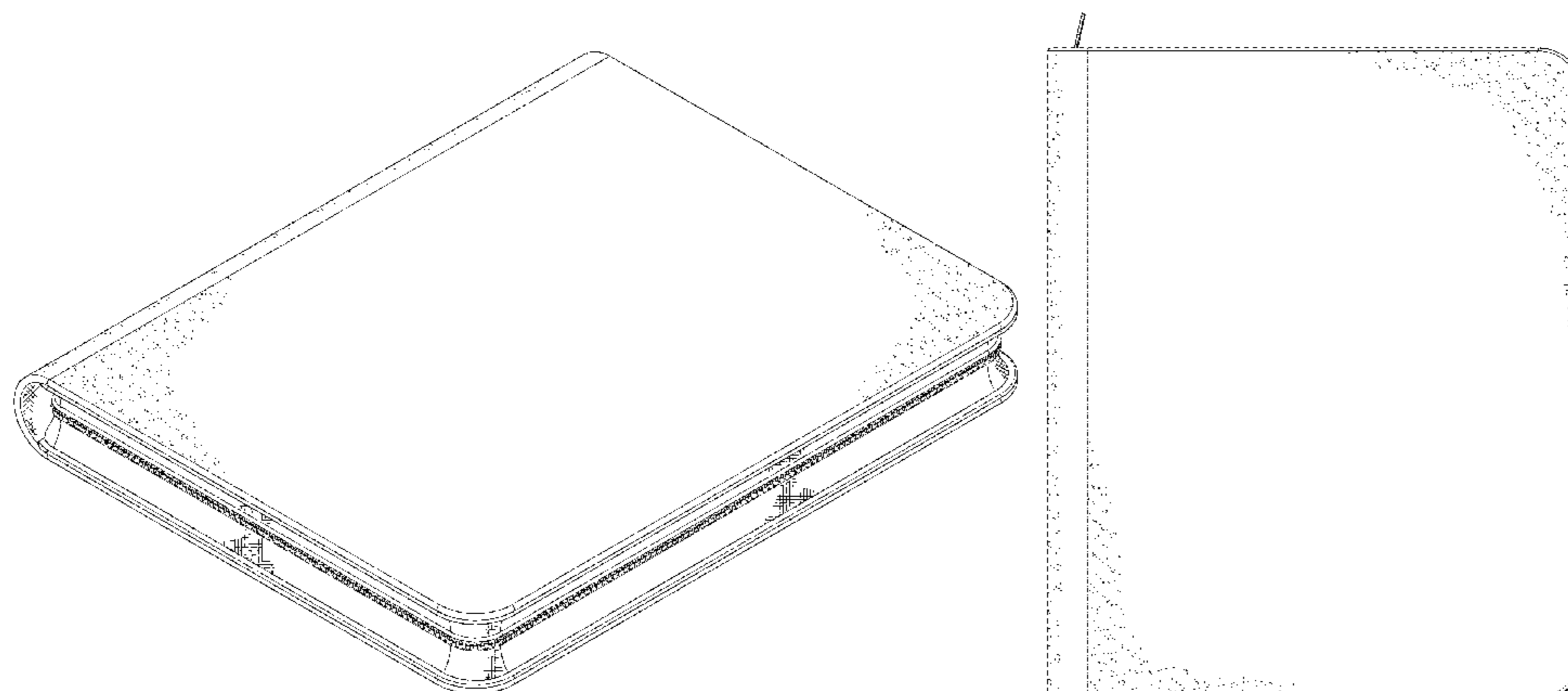
- Tablet and Cell Phone Easel Stand, www.4AllPromos.com.
- Basic Folding Smartphone and Tablet Stand, www.qualitylogoproducts.com.
- Leather iPad 2 Case/Stand, www.4AllPromos.com.
- Motion CL-Series Portfolio—509.400.02—Sleeve/Shuttle Notebook Cases, www.cdw.com.
- Dell Premier Sleeve/Stand (M), www.dell.com.

* cited by examiner

Primary Examiner — Angela J Lee
(74) *Attorney, Agent, or Firm* — Haynes and Boone, LLP

(57) **CLAIM**

The ornamental design for a tablet computer case, as shown and described.



DESCRIPTION

This application claims priority to Registered Community Design (RCD) Application No. 001438840, filed Aug. 17, 2015 in the European (EU) Office for Harmonization in the Internal Market (OHIM), the entire disclosure of which is hereby incorporated herein by reference.

This application is related to U.S. patent application Ser. No. 29/538,610, filed Sep. 4, 2015, the entire disclosure of which is hereby incorporated herein by reference.

This application is related to U.S. patent application Ser. No. 29/538,618, filed Sep. 4, 2015, the entire disclosure of which is hereby incorporated herein by reference.

FIG. 1 is a perspective view of a tablet computer case showing my new design arranged in a first configuration;

FIG. 2 is a front elevational view of the first configuration;

FIG. 3 is a rear elevational view of the first configuration;

FIG. 4 is a right side elevational view of the first configuration;

FIG. 5 is a left side elevational view of the first configuration;

FIG. 6 is a top plan view of the first configuration;

FIG. 7 is a bottom plan view of the first configuration;

FIG. 8 is a perspective view of the tablet computer case showing my new design arranged in a second configuration;

FIG. 9 is another perspective view of the second configuration;

FIG. 10 is a perspective view of the tablet computer case showing my new design arranged in a third configuration;

FIG. 11 is another perspective view of the third configuration;

FIG. 12 is yet another perspective view of the third configuration;

FIG. 13 is a side elevational view of the third configuration;

FIG. 14 is a perspective view of the tablet computer case showing my new design arranged in a fourth configuration;

FIG. 15 is another perspective view of the fourth configuration;

FIG. 16 is yet another perspective view of the fourth configuration;

FIG. 17 is a side elevational view of the fourth configuration;

FIG. 18 is a perspective view of the tablet computer case showing my new design arranged in a fifth configuration, the fifth configuration being the same as the first configuration;

FIG. 19 is another perspective view of the fifth configuration;

FIG. 20 is a perspective view of the tablet computer case showing my new design arranged in a sixth configuration;

FIG. 21 is another perspective view of the sixth configuration;

FIG. 22 is a perspective view of the tablet computer case showing my new design arranged in a seventh configuration;

FIG. 23 is another perspective view of the seventh configuration;

FIG. 24 is a perspective view of the tablet computer case showing my new design arranged in an eighth configuration;

FIG. 25 is another perspective view of the eighth configuration;

FIG. 26 is a perspective view of the tablet computer case showing my new design arranged in a ninth configuration, the ninth configuration being the same as the second configuration;

FIG. 27 is another perspective view of the third configuration, FIG. 27 being similar to FIG. 10 but depicting in broken lines additional unclaimed environmental structure that is not depicted in FIGS. 10-13; and,

FIG. 28 is another perspective view of the fourth configuration, FIG. 28 being similar to FIG. 14 but depicting in broken lines additional unclaimed environmental structure that is not depicted in FIGS. 14-17.

The broken lines in FIGS. 8-28 form no part of the claimed design.

1 Claim, 26 Drawing Sheets

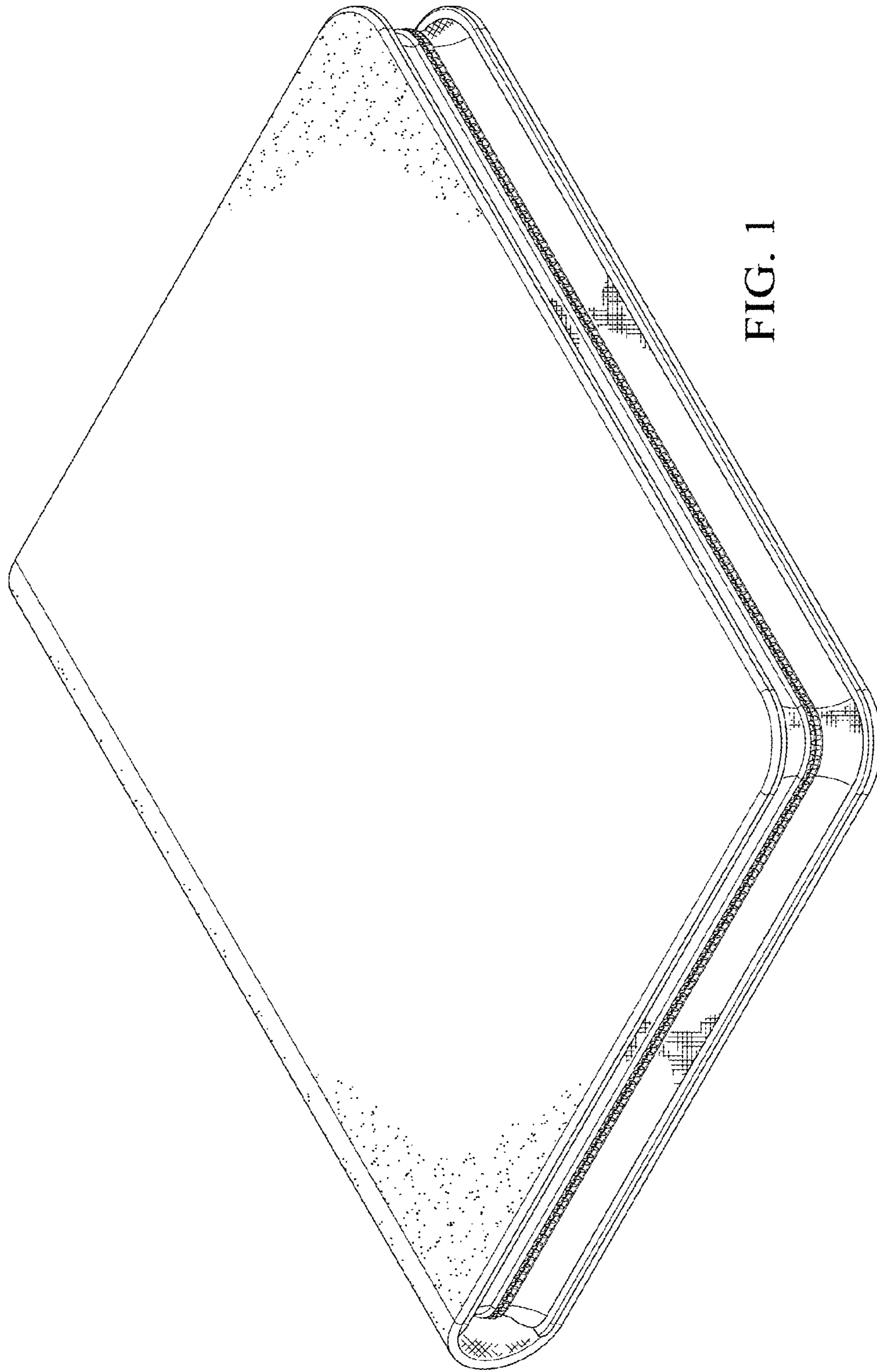


FIG. 1

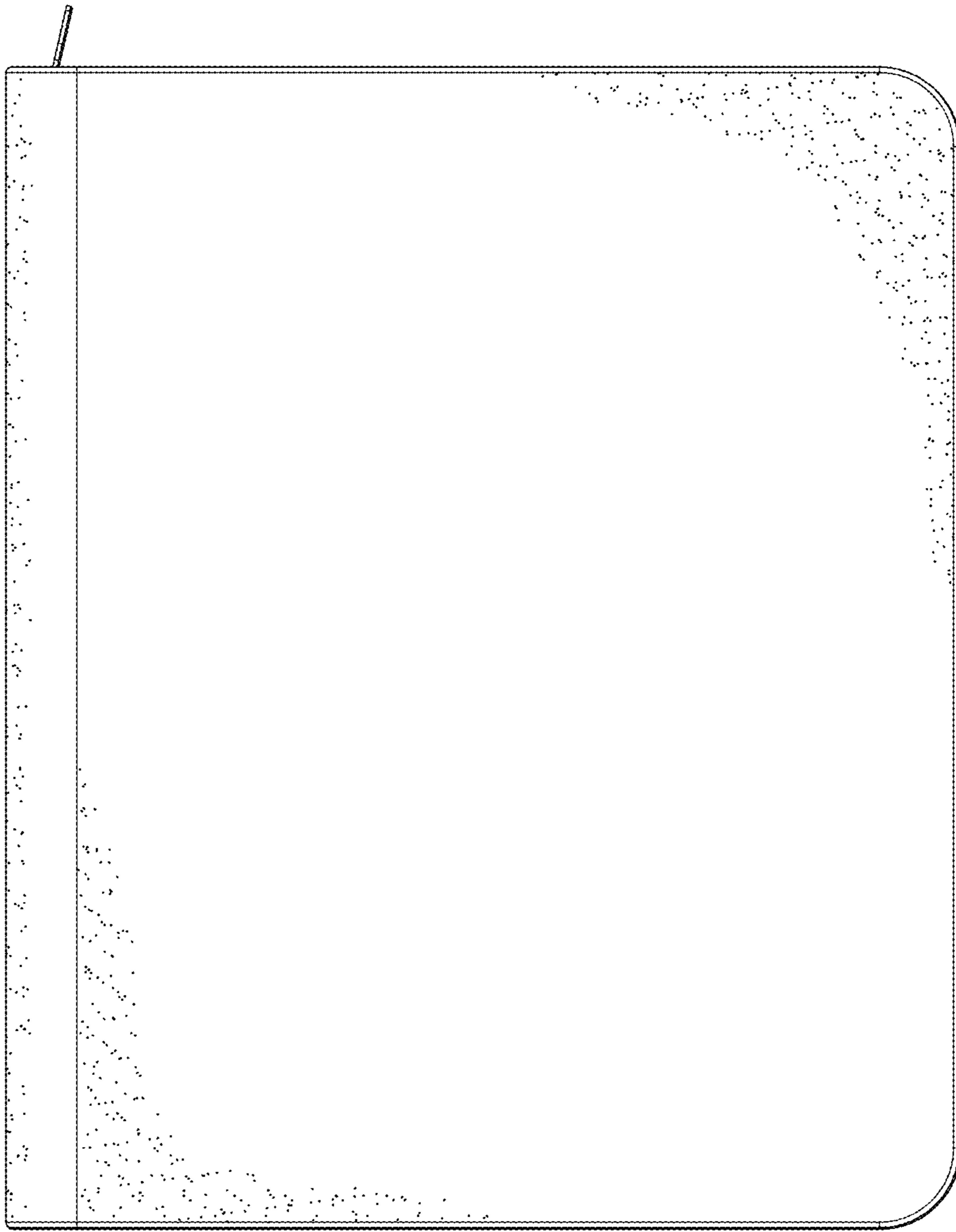


FIG. 2



FIG. 3

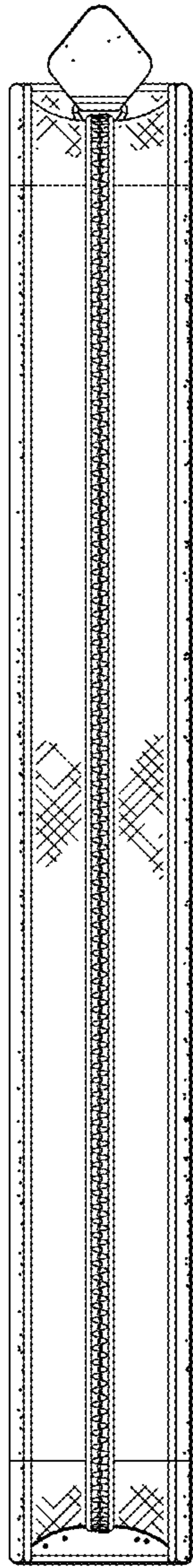


FIG. 4

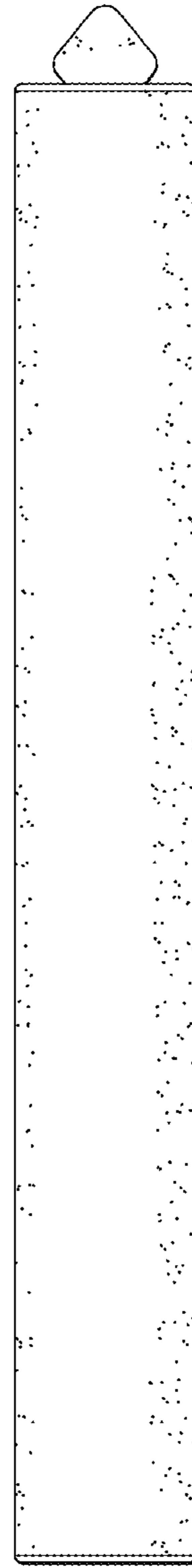


FIG. 5

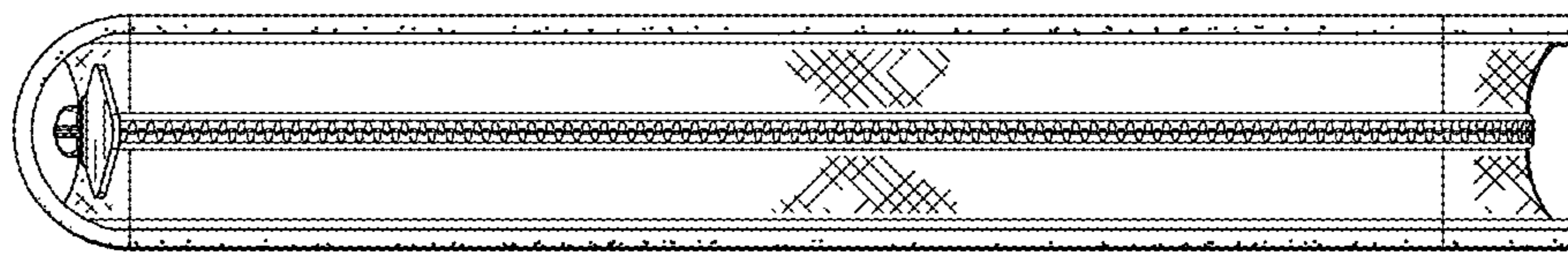


FIG. 6

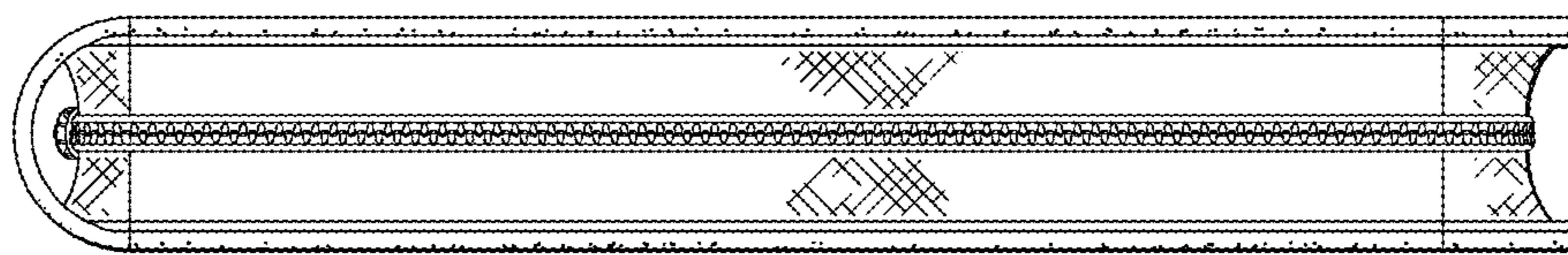


FIG. 7

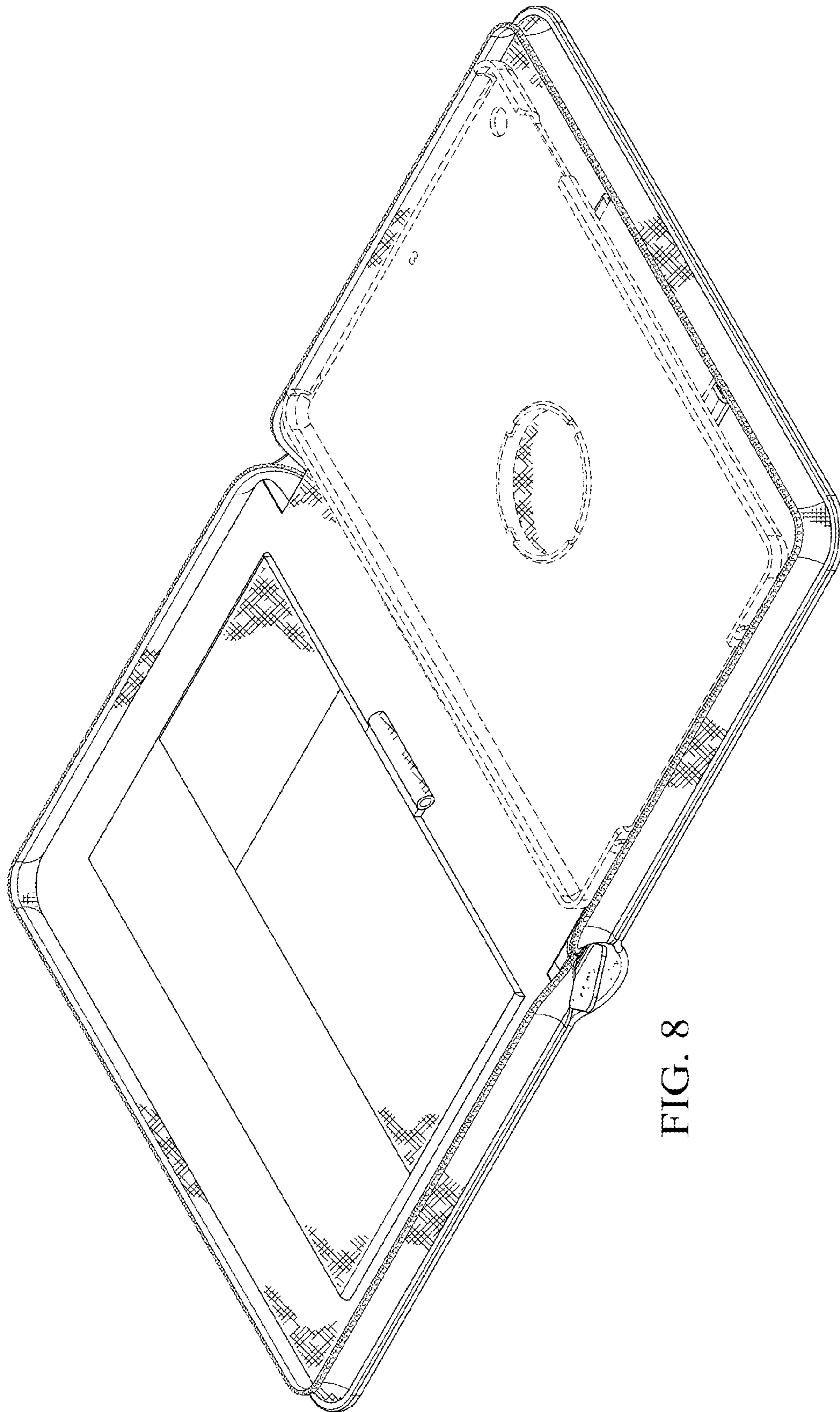


FIG. 8

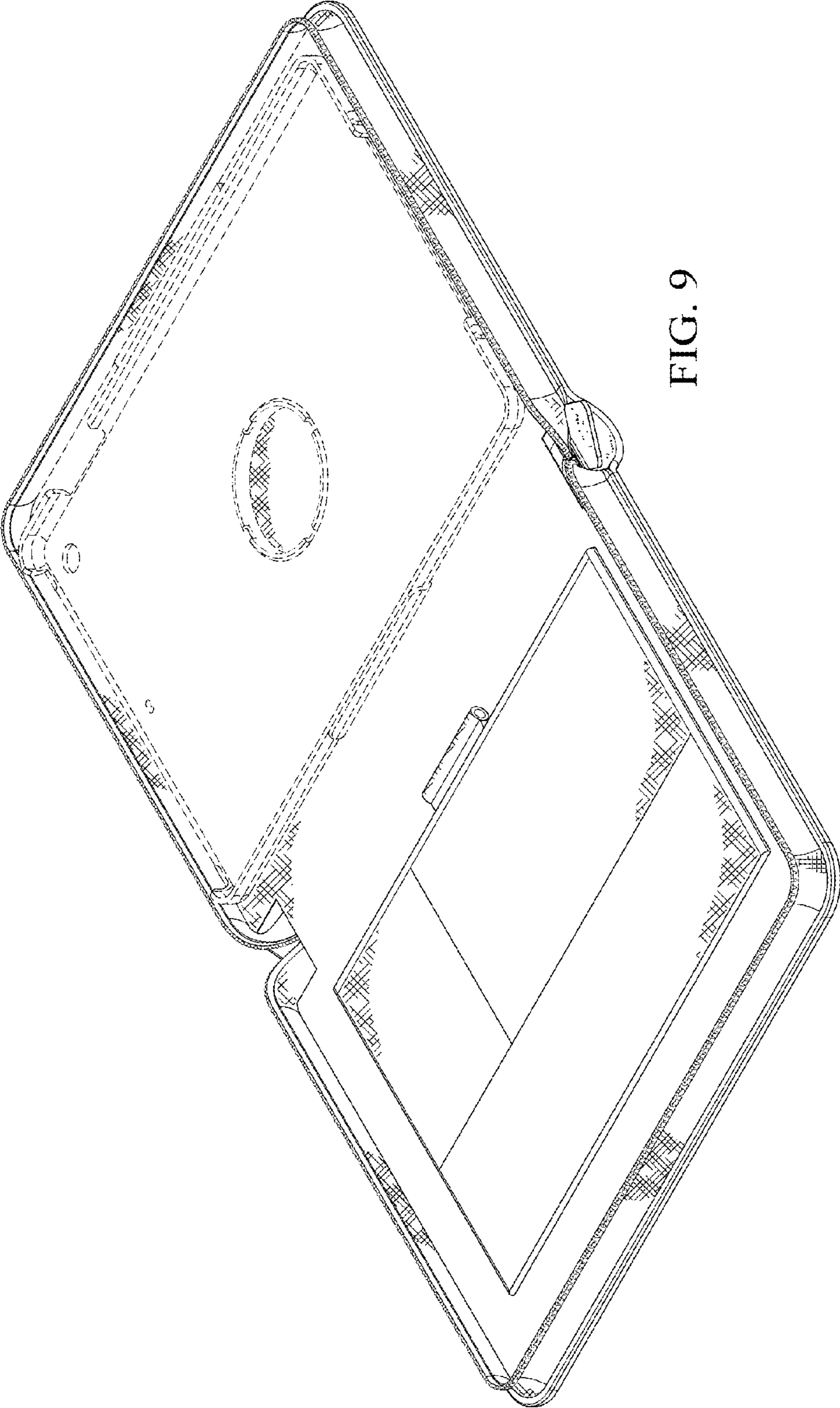


FIG. 9

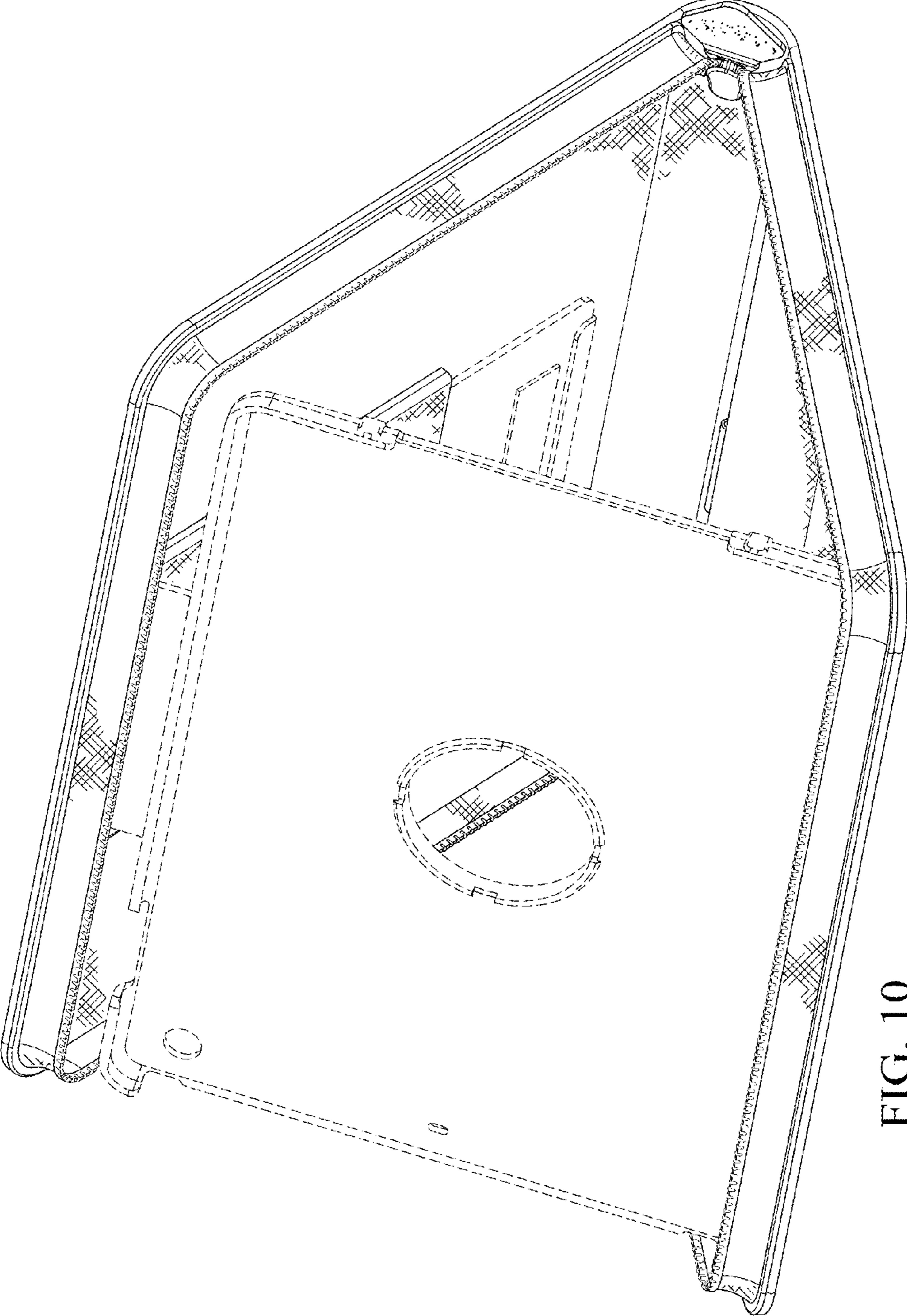


FIG. 10

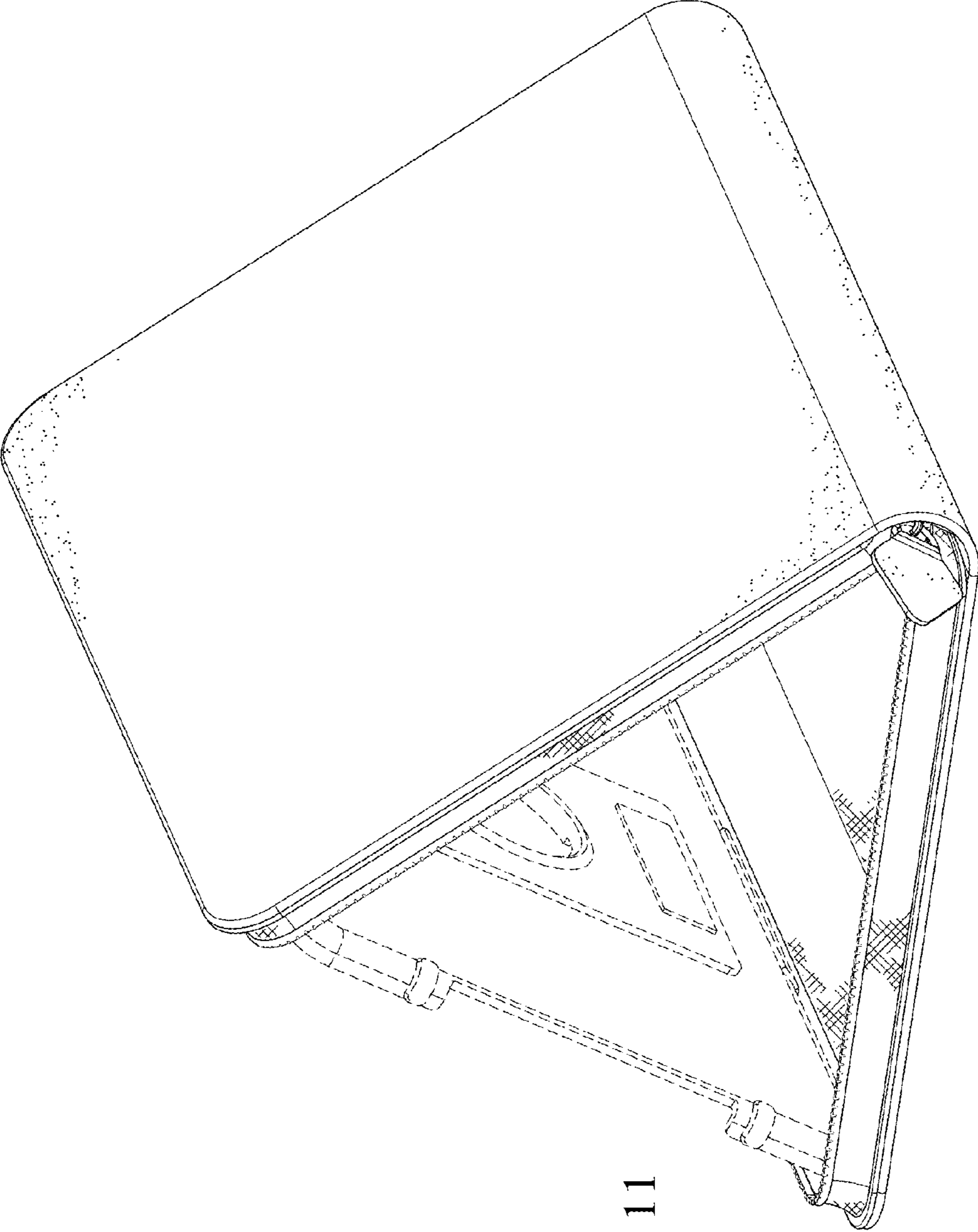
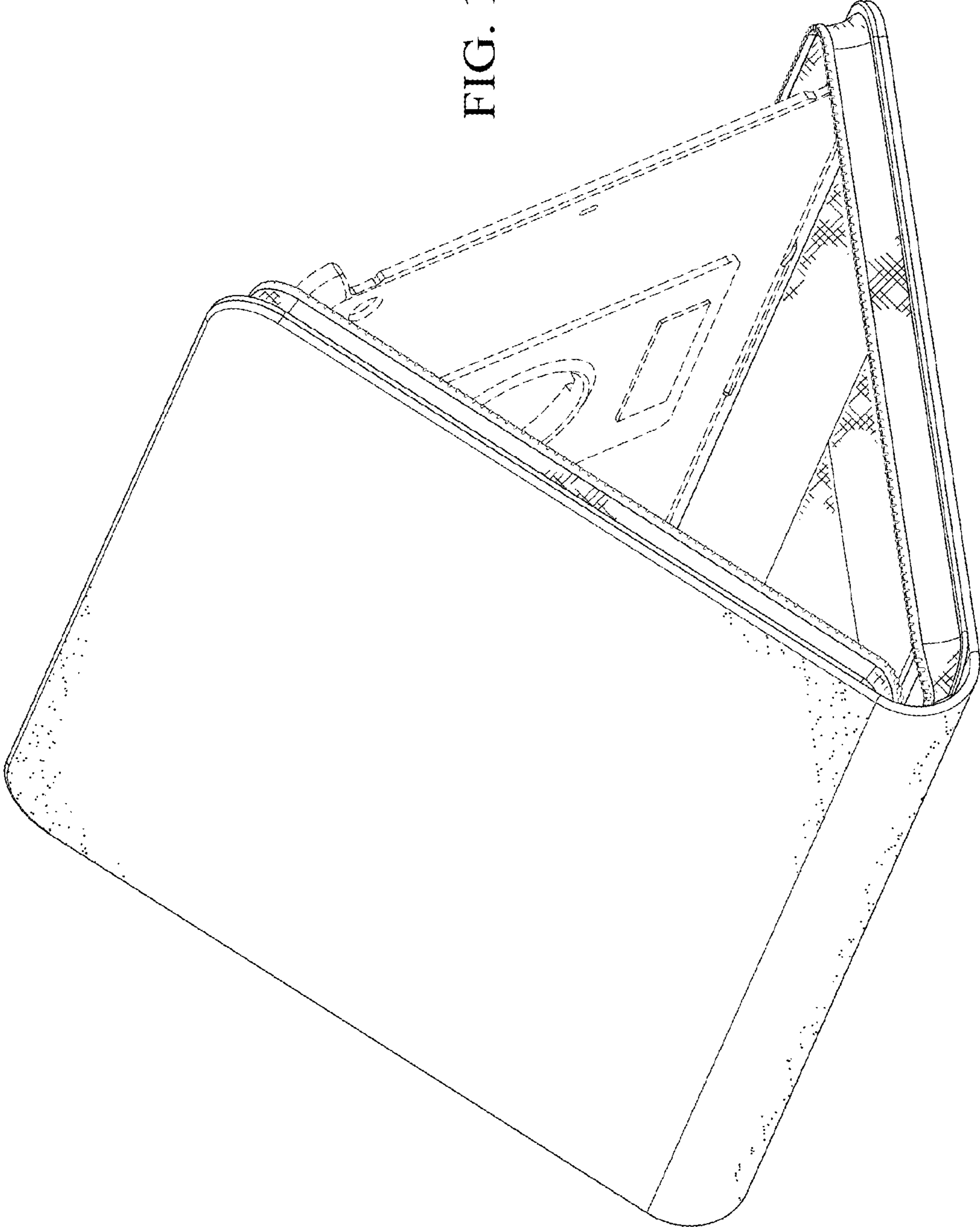


FIG. 11

FIG. 12



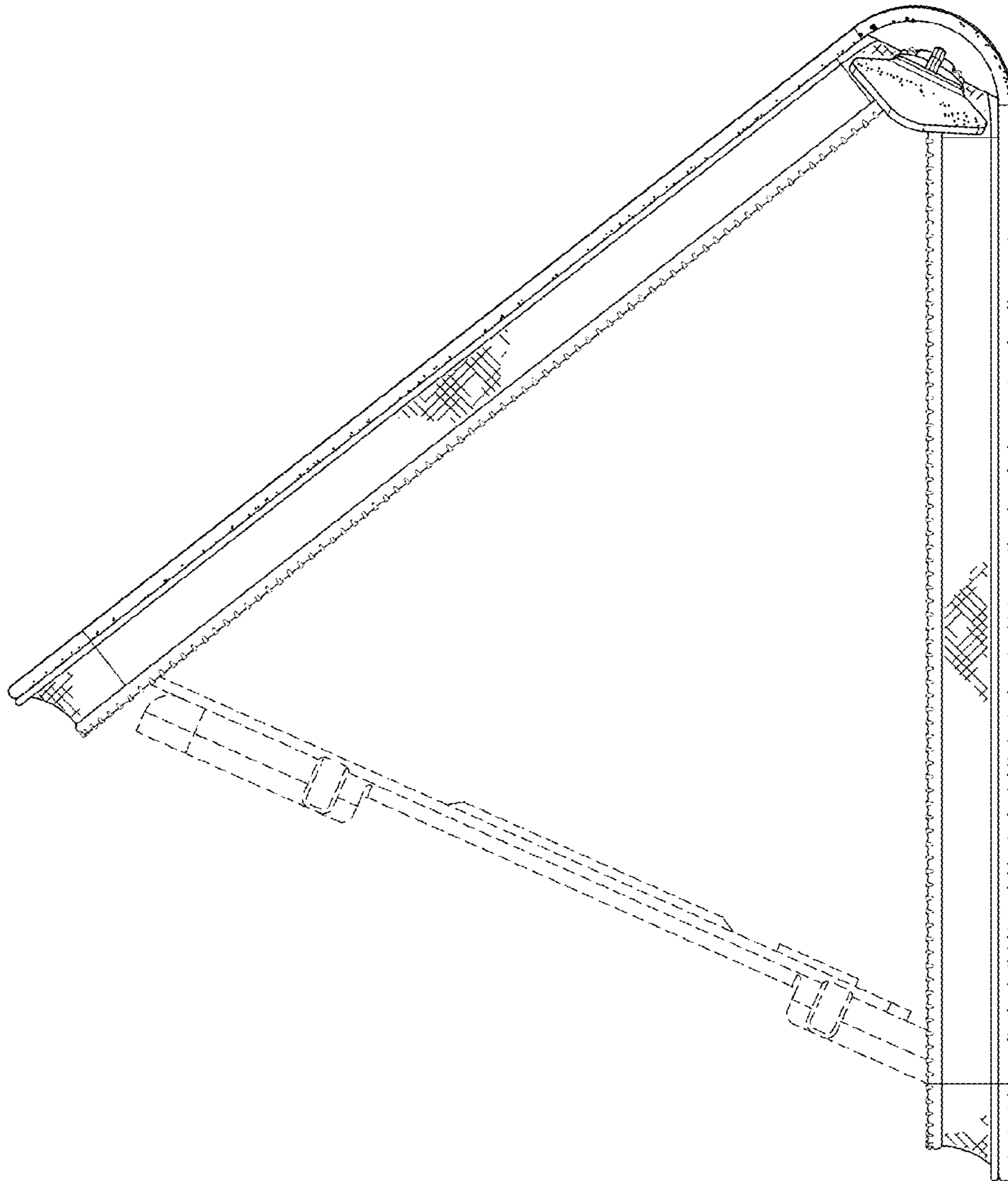


FIG. 13

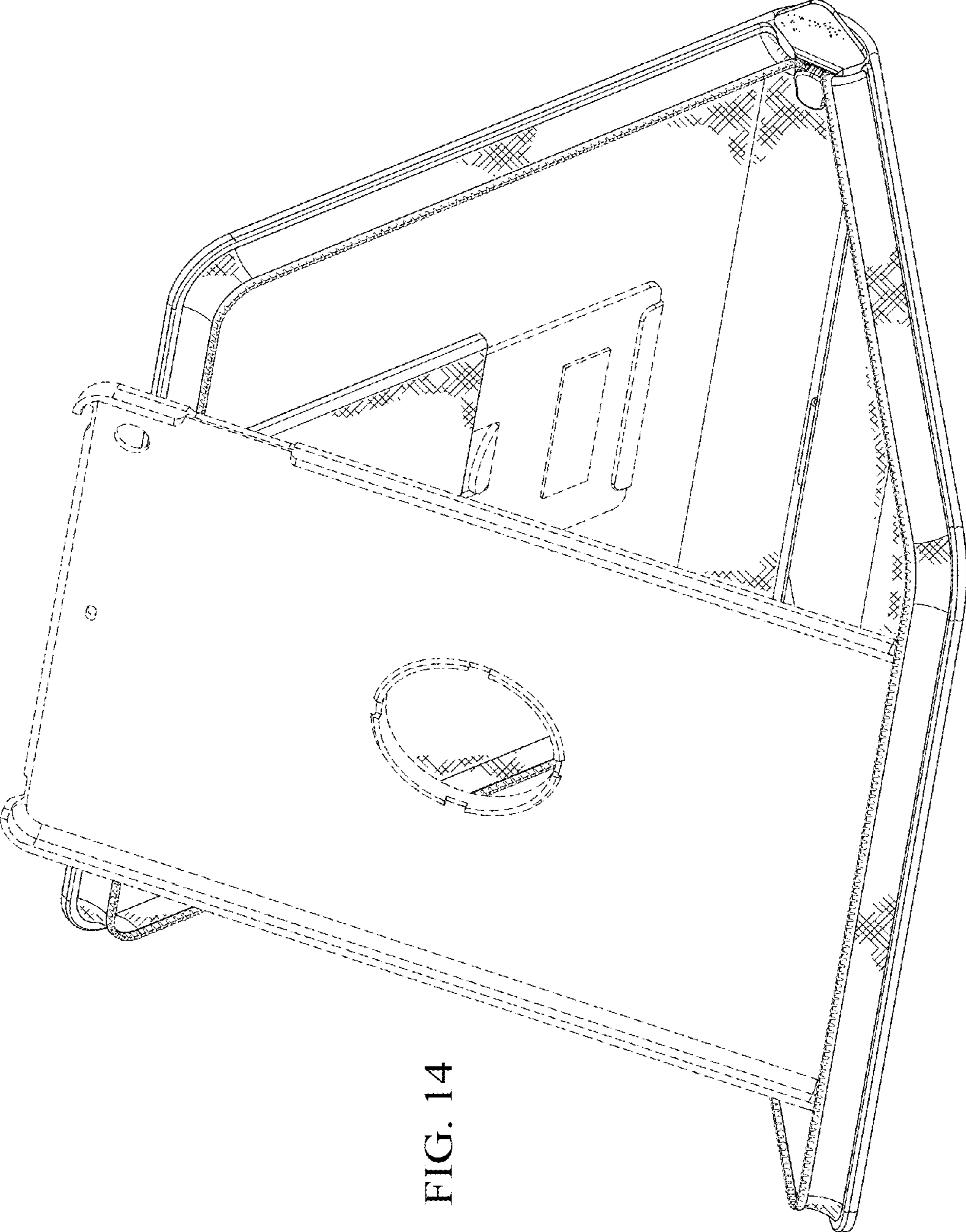


FIG. 14

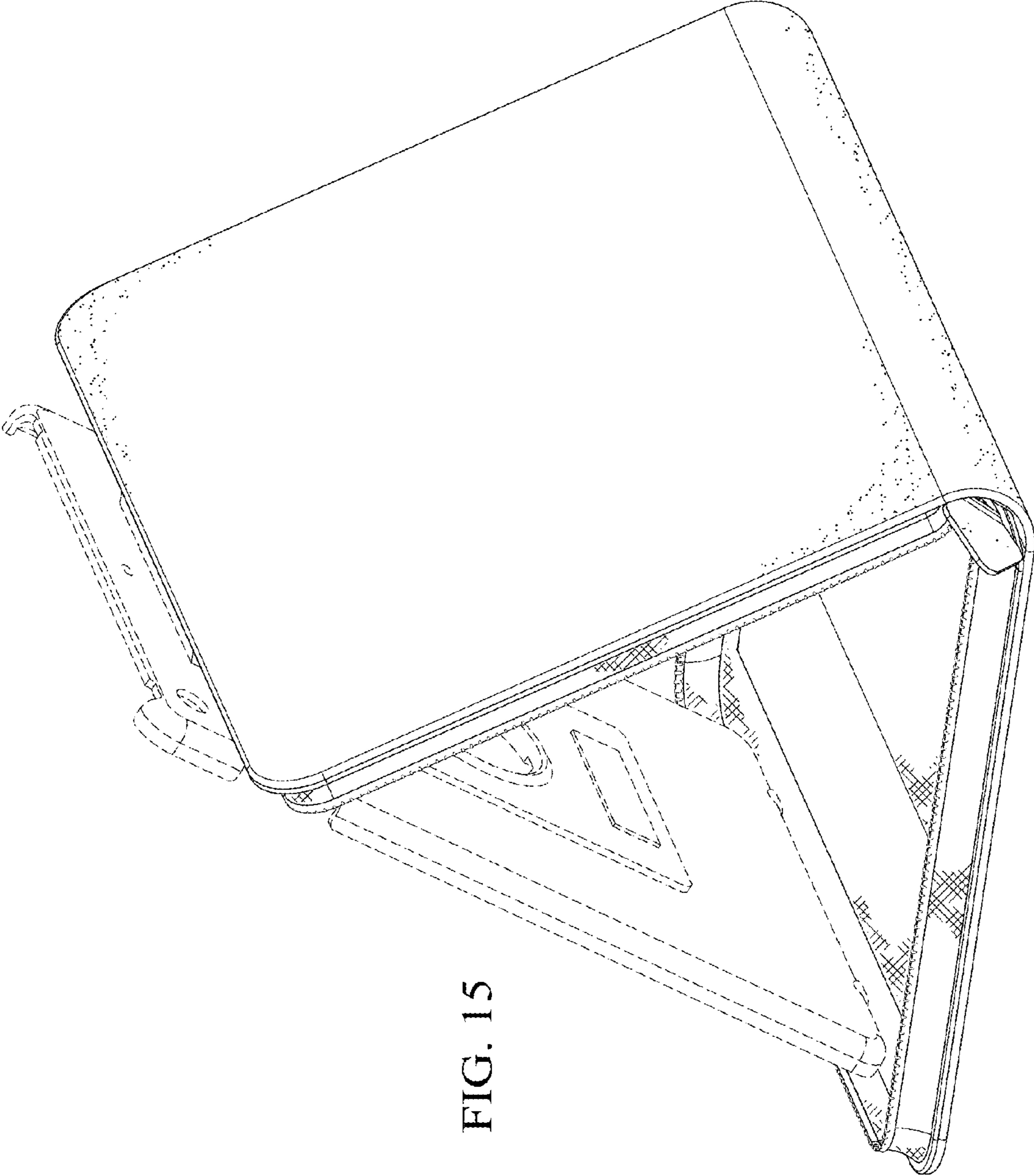
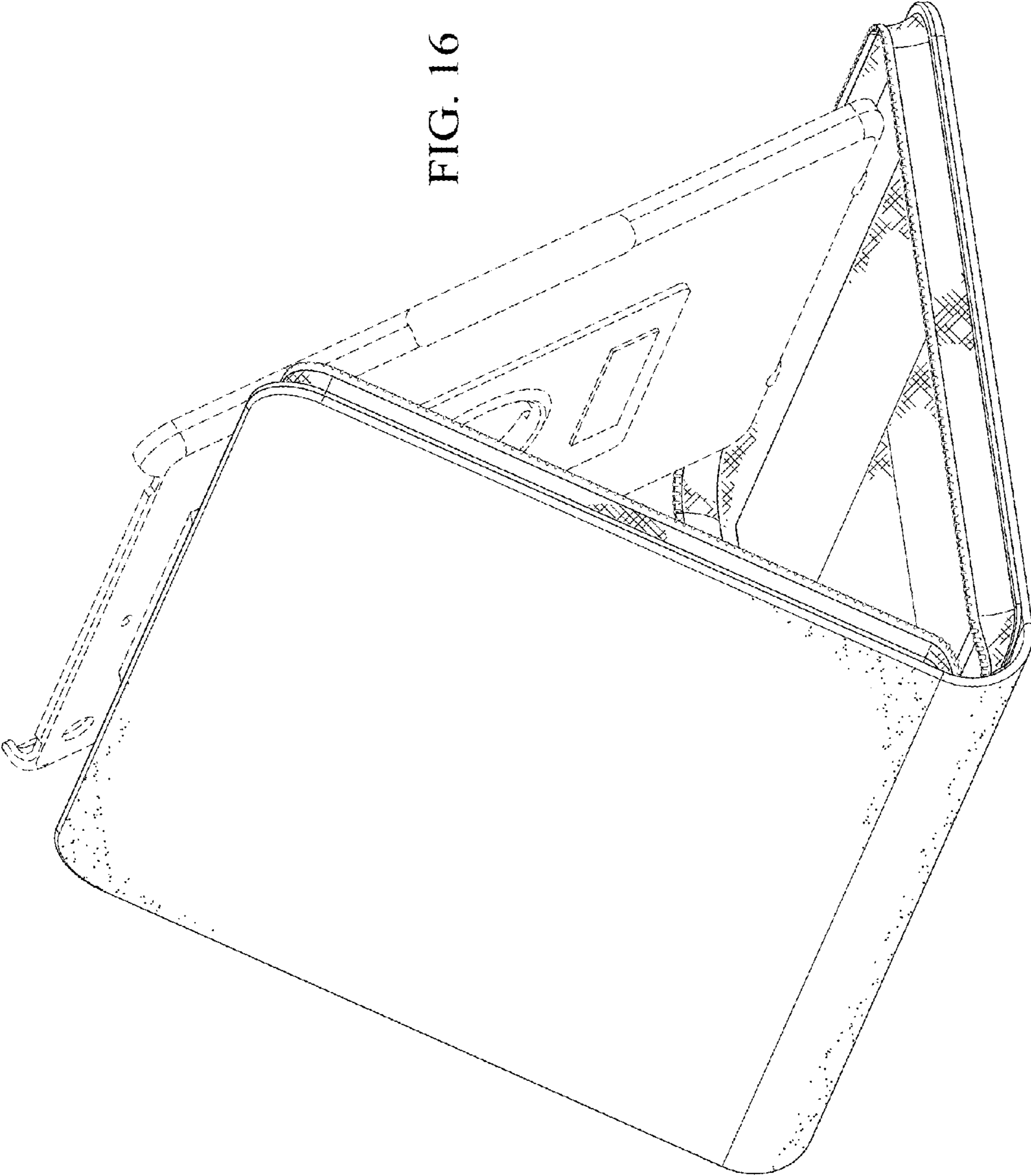


FIG. 15

FIG. 16



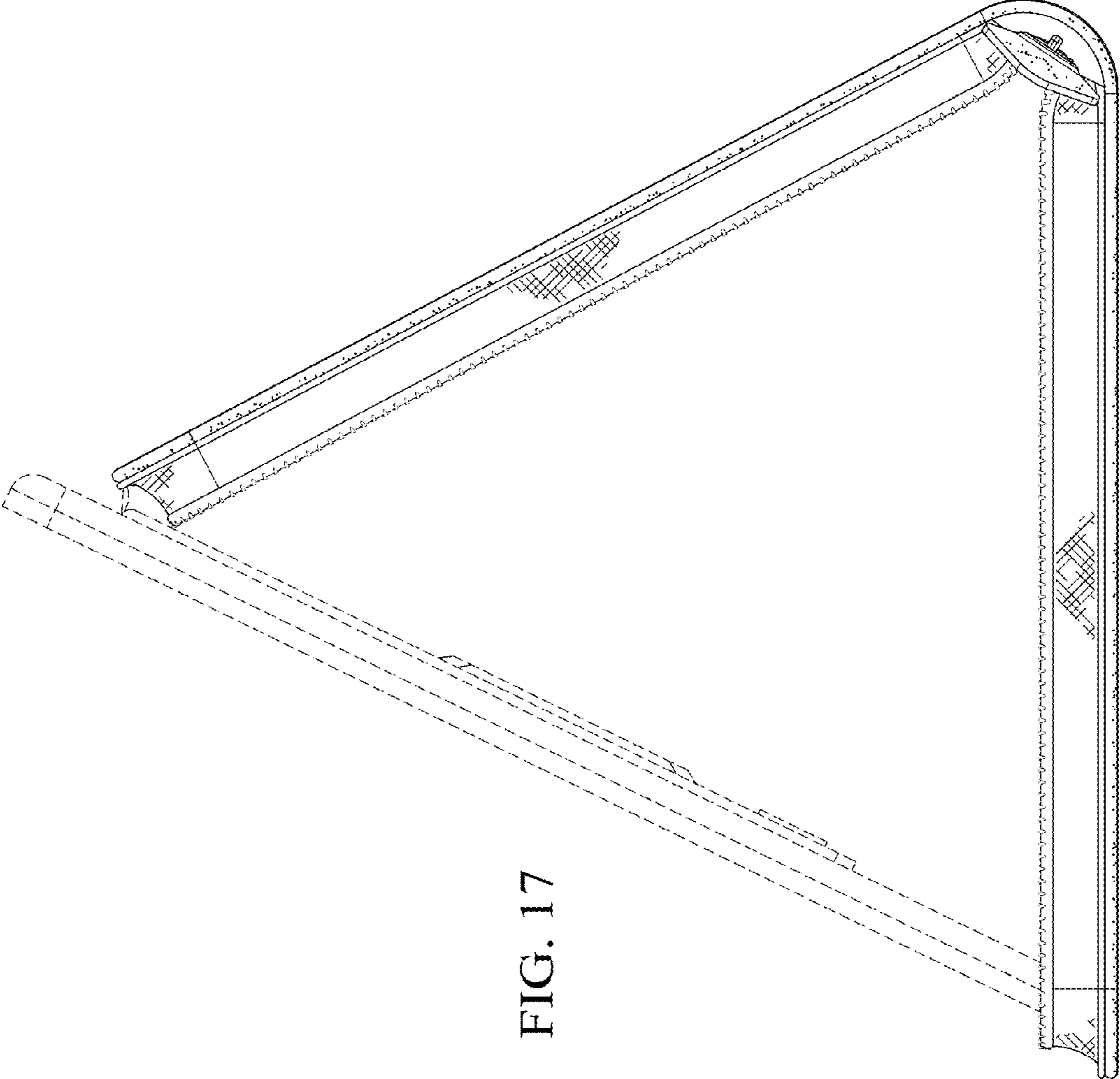


FIG. 17

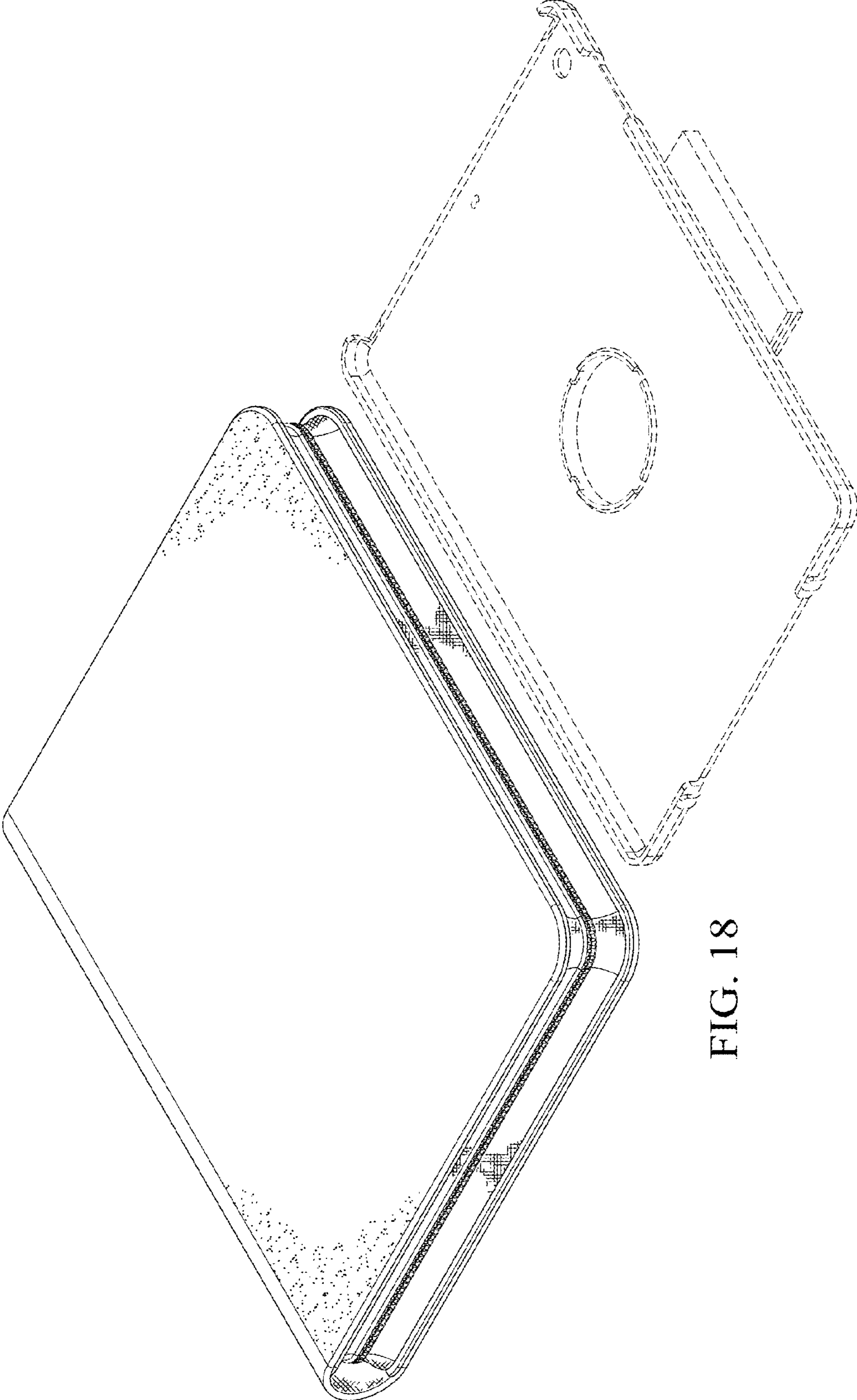


FIG. 18

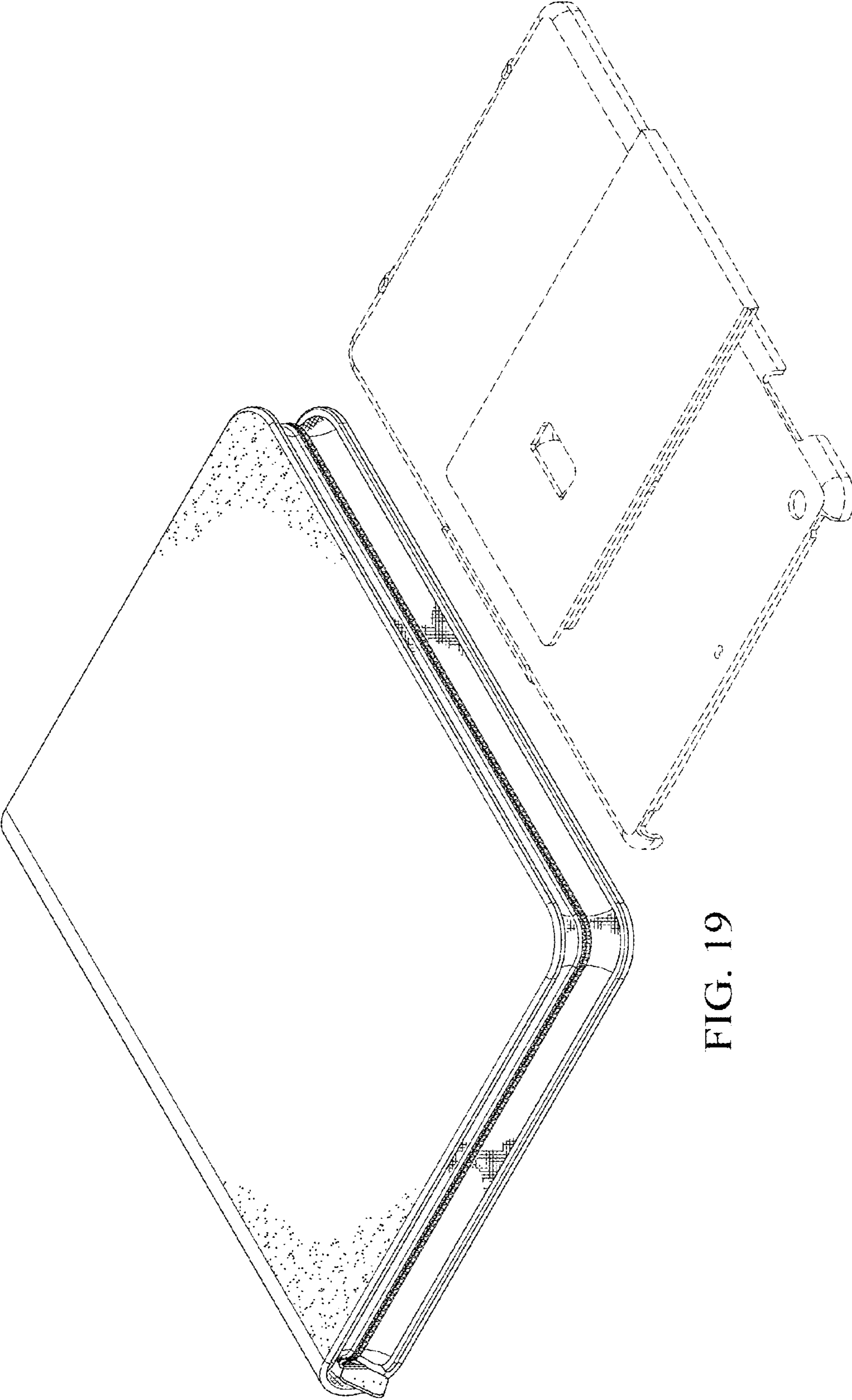


FIG. 19

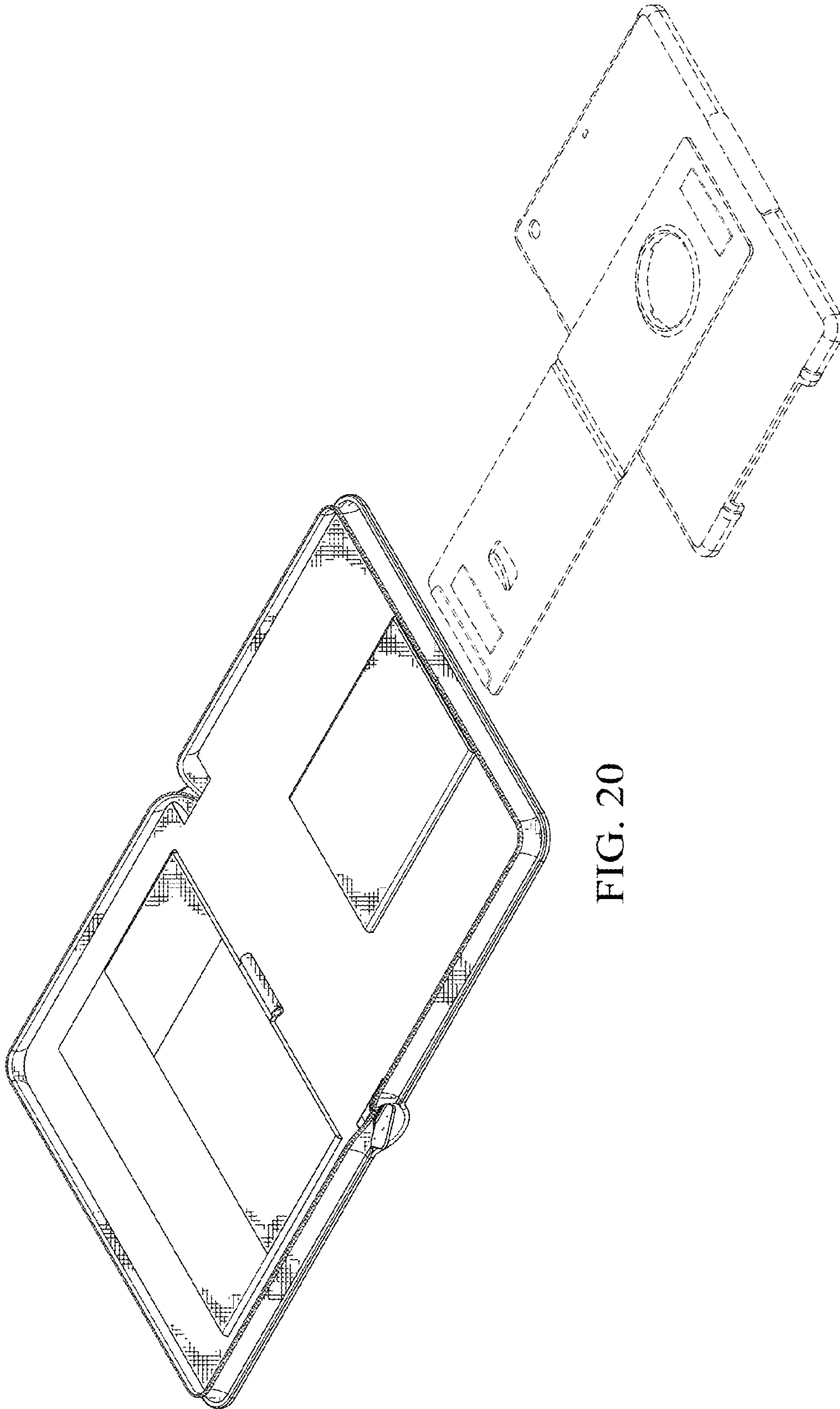


FIG. 20

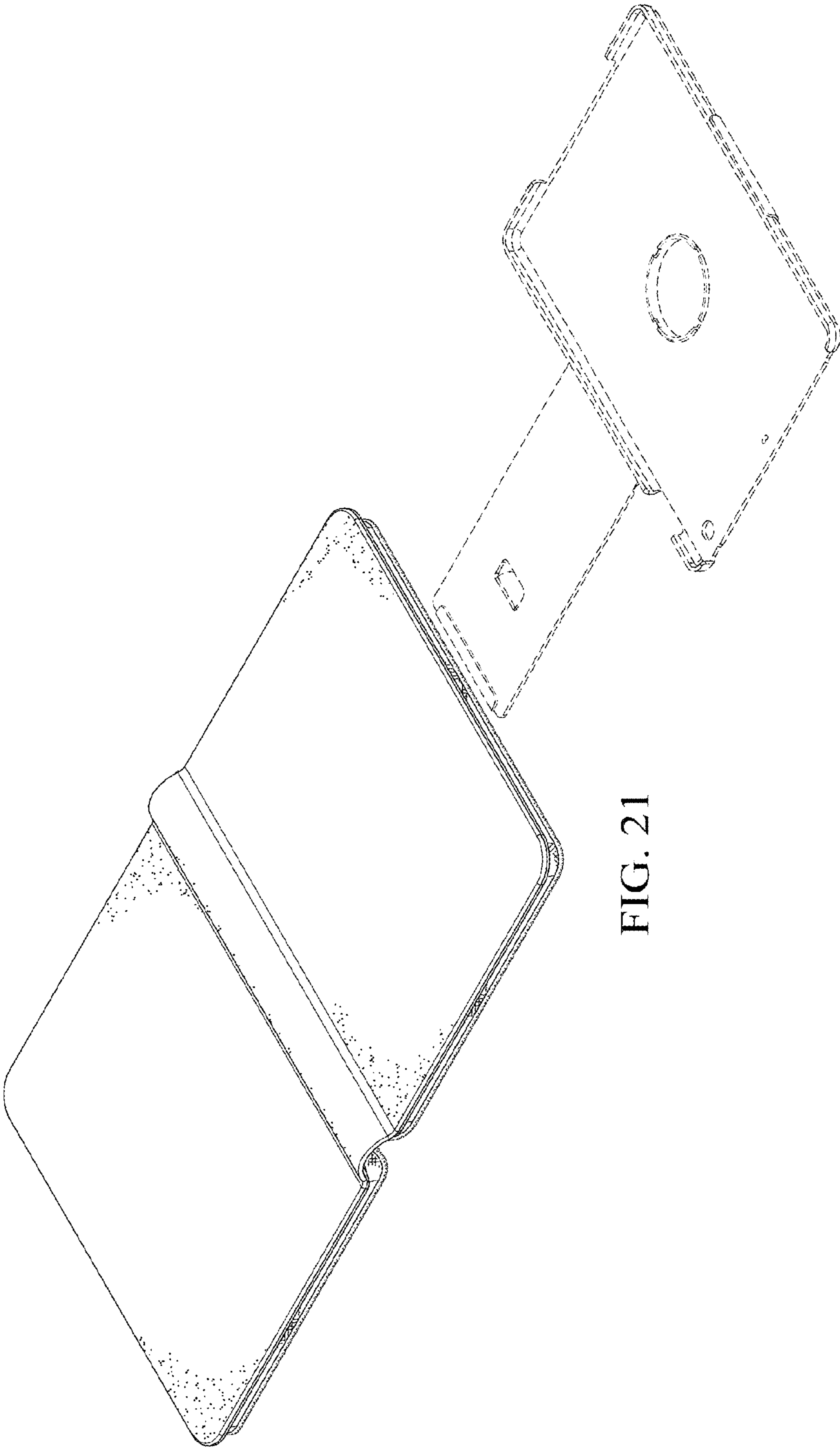


FIG. 21

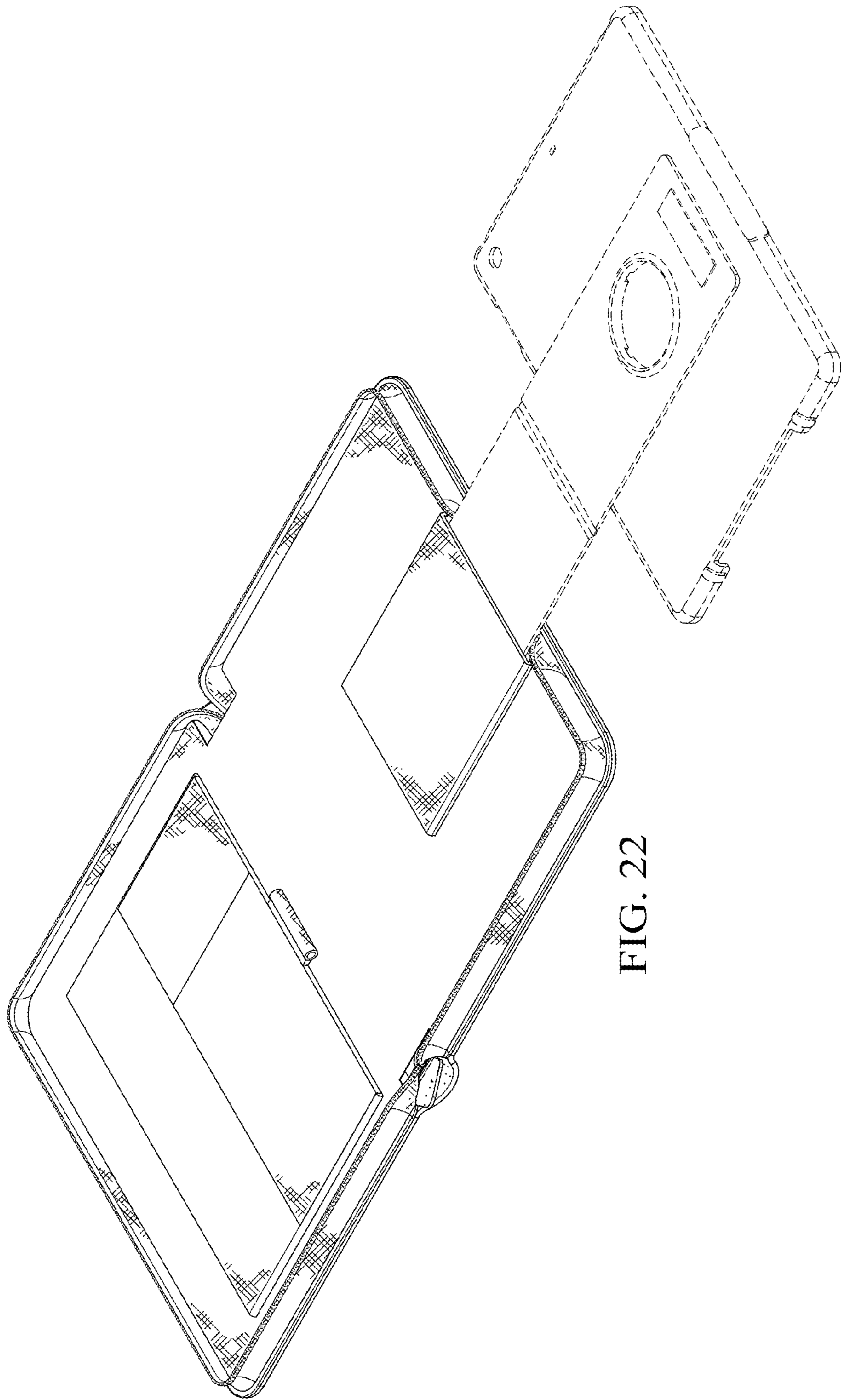


FIG. 22

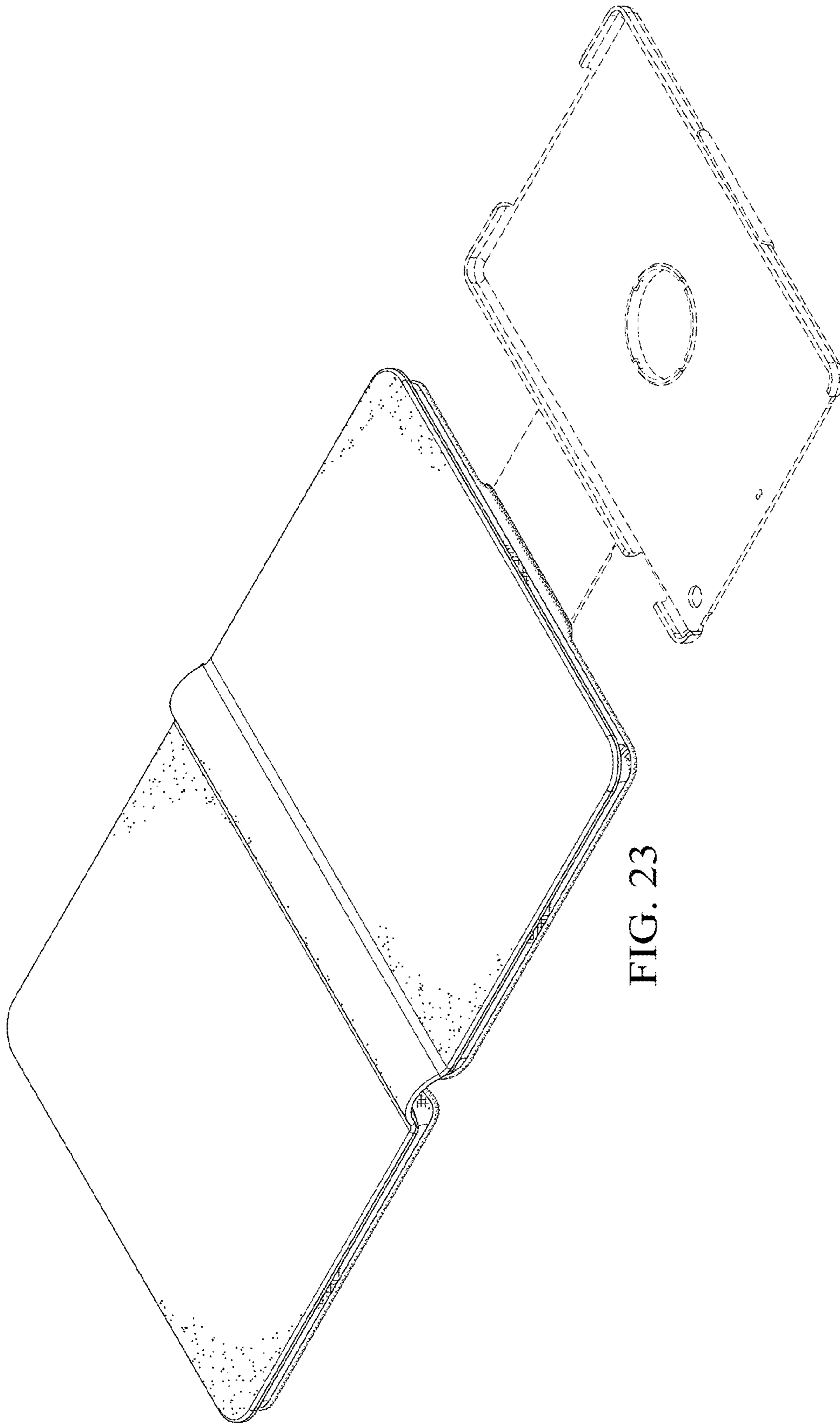


FIG. 23

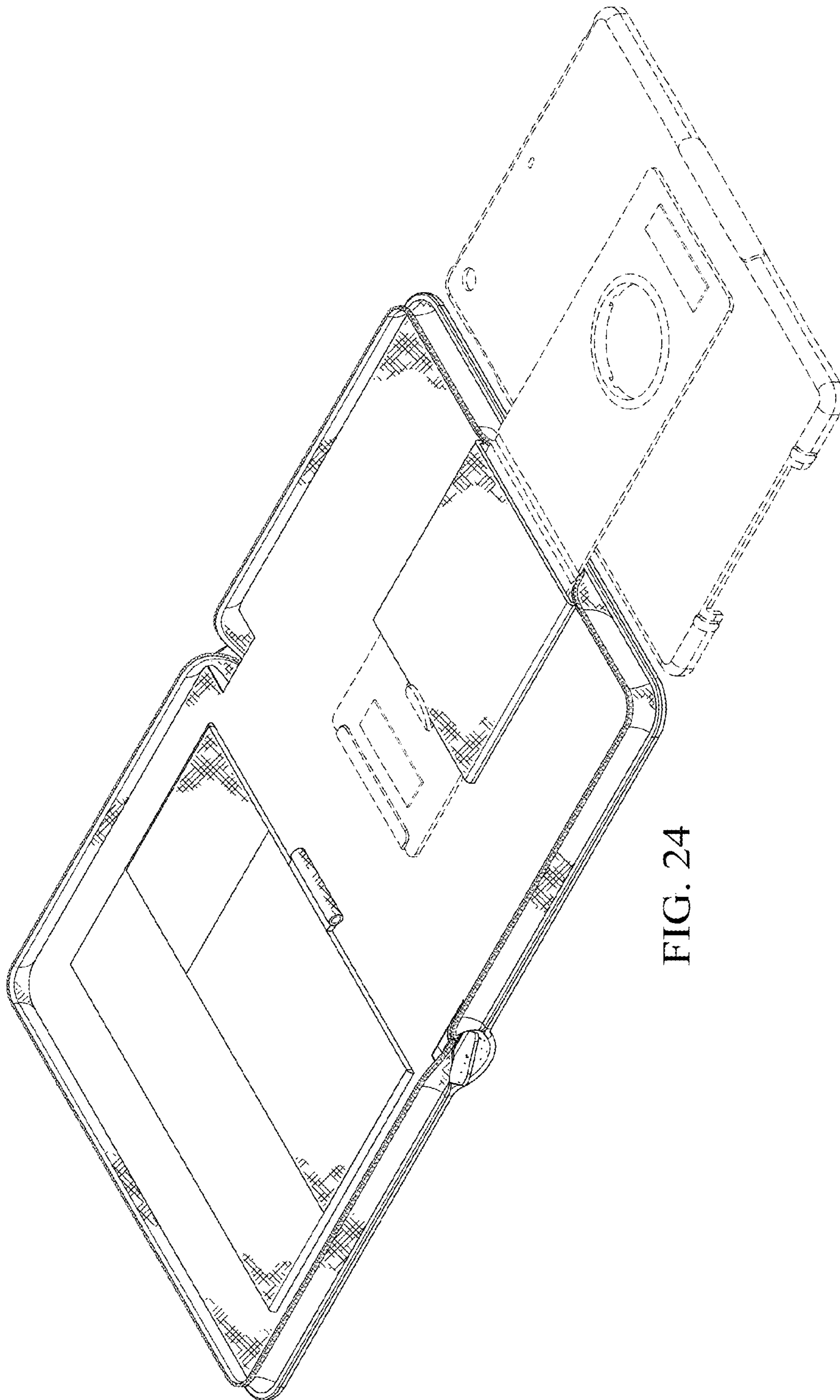


FIG. 24

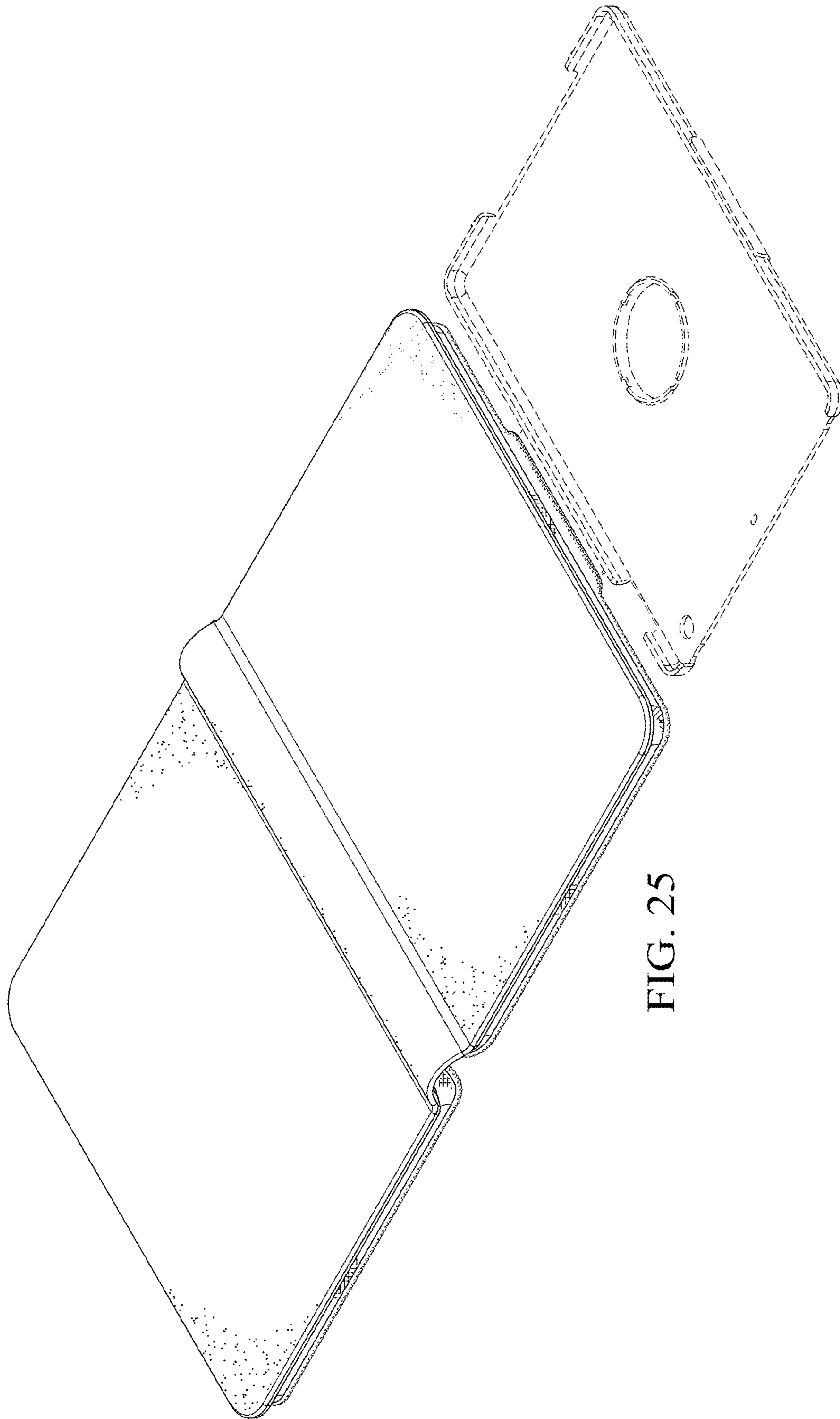


FIG. 25

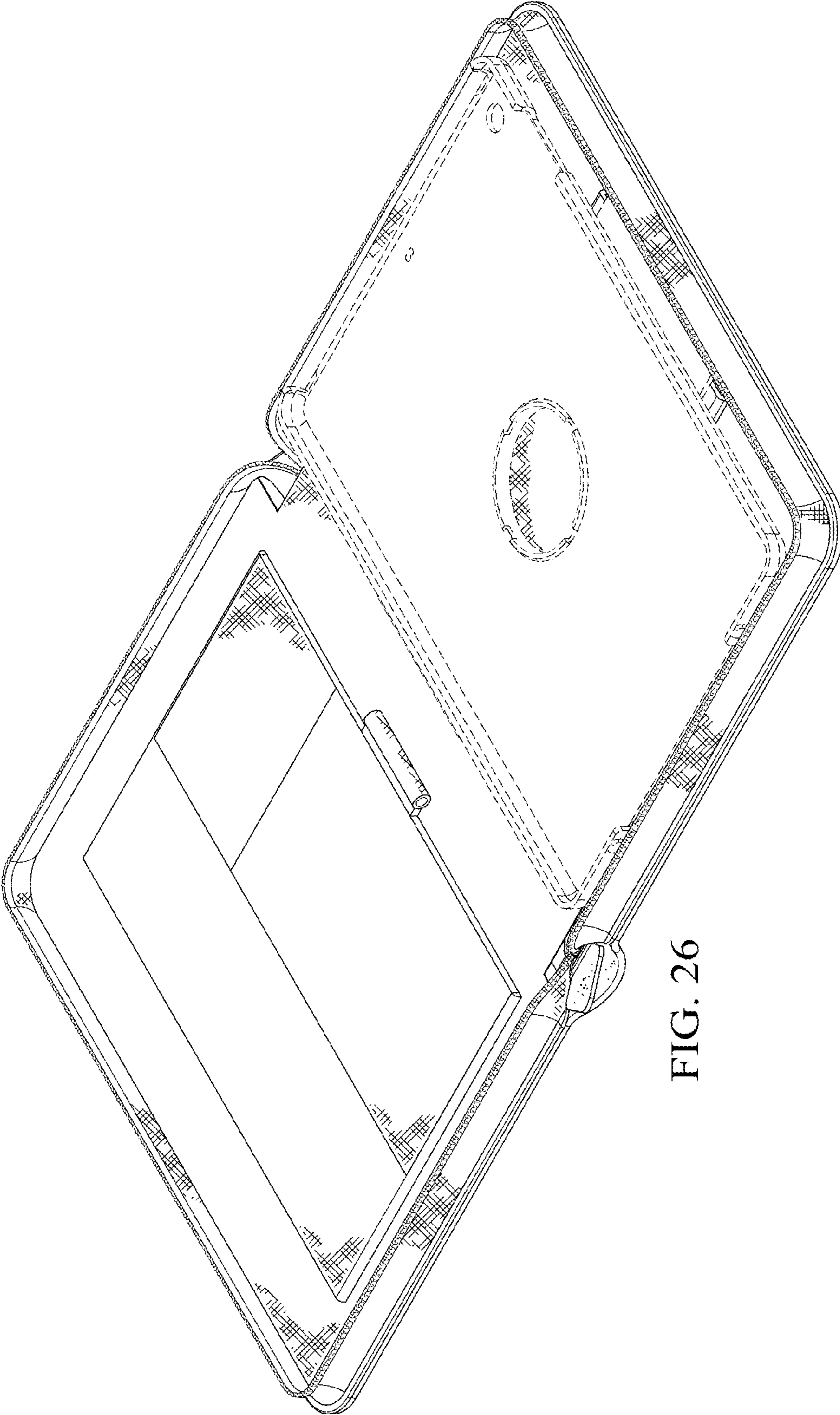


FIG. 26

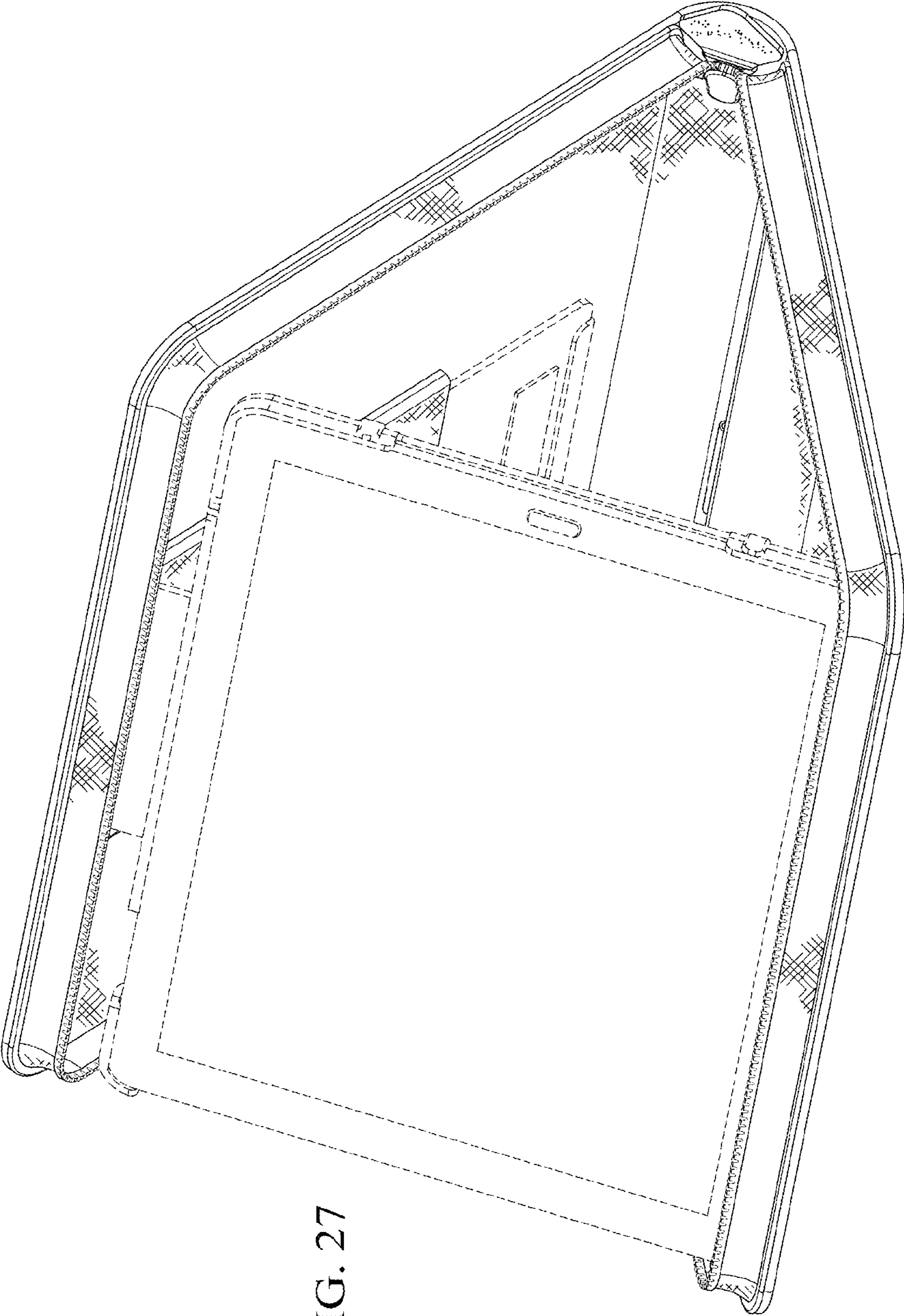


FIG. 27

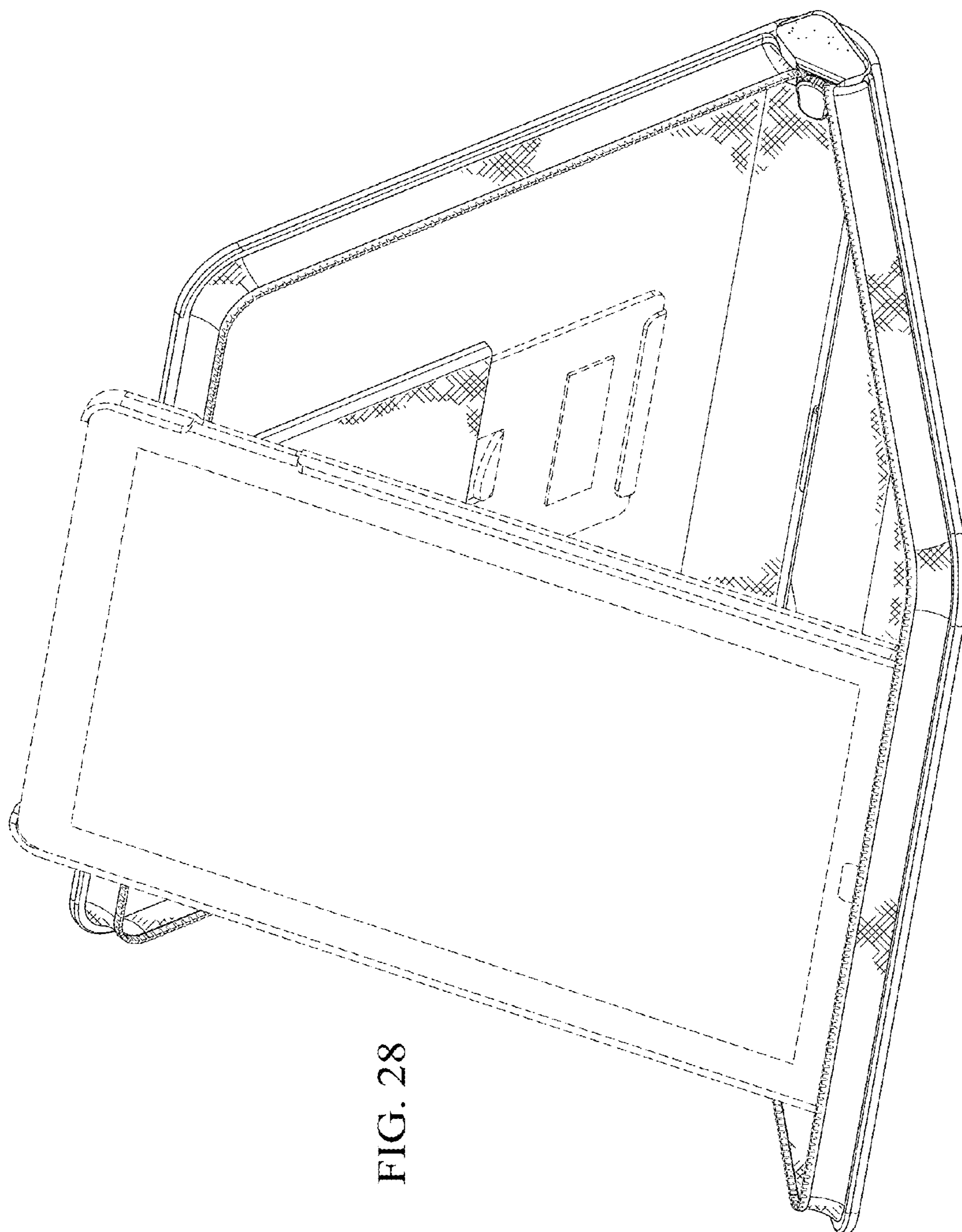


FIG. 28

UNITED STATES PATENT AND TRADEMARK OFFICE
CERTIFICATE OF CORRECTION

PATENT NO. : D750,086 S
APPLICATION NO. : 29/538622
DATED : February 23, 2016
INVENTOR(S) : Julia Elsa Langhein

Page 1 of 1

It is certified that error appears in the above-identified patent and that said Letters Patent is hereby corrected as shown below:

IN THE SPECIFICATION

In Column 1, line 9, after the first sentence in the Description, please insert the following sentence:

-- This application claims priority to Registered Community Design (RCD) Application No. 002755637, filed August 17, 2015 in the European (EU) Office for Harmonization in the Internal Market (OHIM), the entire disclosure of which is hereby incorporated herein by reference. --

Signed and Sealed this
Twenty-eighth Day of June, 2016



Michelle K. Lee
Director of the United States Patent and Trademark Office