



US00D750085S

(12) **United States Design Patent**
Hsu et al.

(10) **Patent No.:** **US D750,085 S**
(45) **Date of Patent:** **** Feb. 23, 2016**

(54) **PROTECTIVE FOLIO WITH KEYBOARD FOR MULTIPLE TYPES OF INPUT DEVICES**

(71) Applicant: **Logitech Europe S.A.**, Lausanne (CH)

(72) Inventors: **Eric Hsu**, Zhubei (TW); **Malachy Spollen**, Lausanne (CH)

(73) Assignee: **Logitech Europe S.A.**, Lausanne (CH)

(**) Term: **14 Years**

(21) Appl. No.: **29/506,909**

(22) Filed: **Oct. 21, 2014**

(51) **LOC (10) Cl.** **14-02**

(52) **U.S. Cl.**
USPC **D14/440**

(58) **Field of Classification Search**
USPC D3/218, 215, 201, 294, 289, 900, 318;
D14/432, 440, 454, 402, 250;
428/40.1; 200/302.1
CPC ... G06F 1/1601; G06F 1/1626; G06F 1/2633;
G06F 1/1675; G06F 1/1679; G02F 1/1306;
G02F 1/133; G02F 1/133308; G02F 1/153;
G02F 1/1533; G02F 2001/133317; H04M
1/185; H04M 1/0252; H04B 1/3888; A45C
1/06; A45C 3/08

See application file for complete search history.

(56) **References Cited**

U.S. PATENT DOCUMENTS

D653,665	S *	2/2012	Maruyama	D14/392
D675,625	S *	2/2013	Hasbrook	D14/440
D678,272	S *	3/2013	Groene	D14/341
D692,432	S *	10/2013	Liu	D14/440
D697,508	S *	1/2014	Hsu	D14/345
D704,689	S *	5/2014	Chang	D14/250
D708,838	S *	7/2014	Lee	D14/440
8,766,921	B2 *	7/2014	Ballagas	G06F 1/1626 345/168
8,773,353	B2 *	7/2014	Wei	G06F 1/1662 345/156

8,783,458	B2 *	7/2014	Gallagher	F16M 11/105 206/320
8,797,132	B2 *	8/2014	Childs	A45C 11/00 206/320
D719,169	S *	12/2014	McBroom	D14/440
D725,118	S *	3/2015	Hong	D14/440
D734,340	S *	7/2015	Kim	D14/440
D737,827	S *	9/2015	Tseng	D14/440
2009/0159763	A1 *	6/2009	Kim	F16M 13/00 248/174
2009/0201254	A1 *	8/2009	Rais	G06F 1/1613 345/168
2011/0266194	A1 *	11/2011	Bau	A45C 11/00 206/736
2011/0290687	A1 *	12/2011	Han	A45C 3/02 206/320
2012/0140396	A1 *	6/2012	Zeliff	G06F 1/1628 361/679.09

(Continued)

Primary Examiner — Cynthia Underwood

(74) *Attorney, Agent, or Firm* — Kilpatrick Townsend & Stockton LLP

(57) **CLAIM**

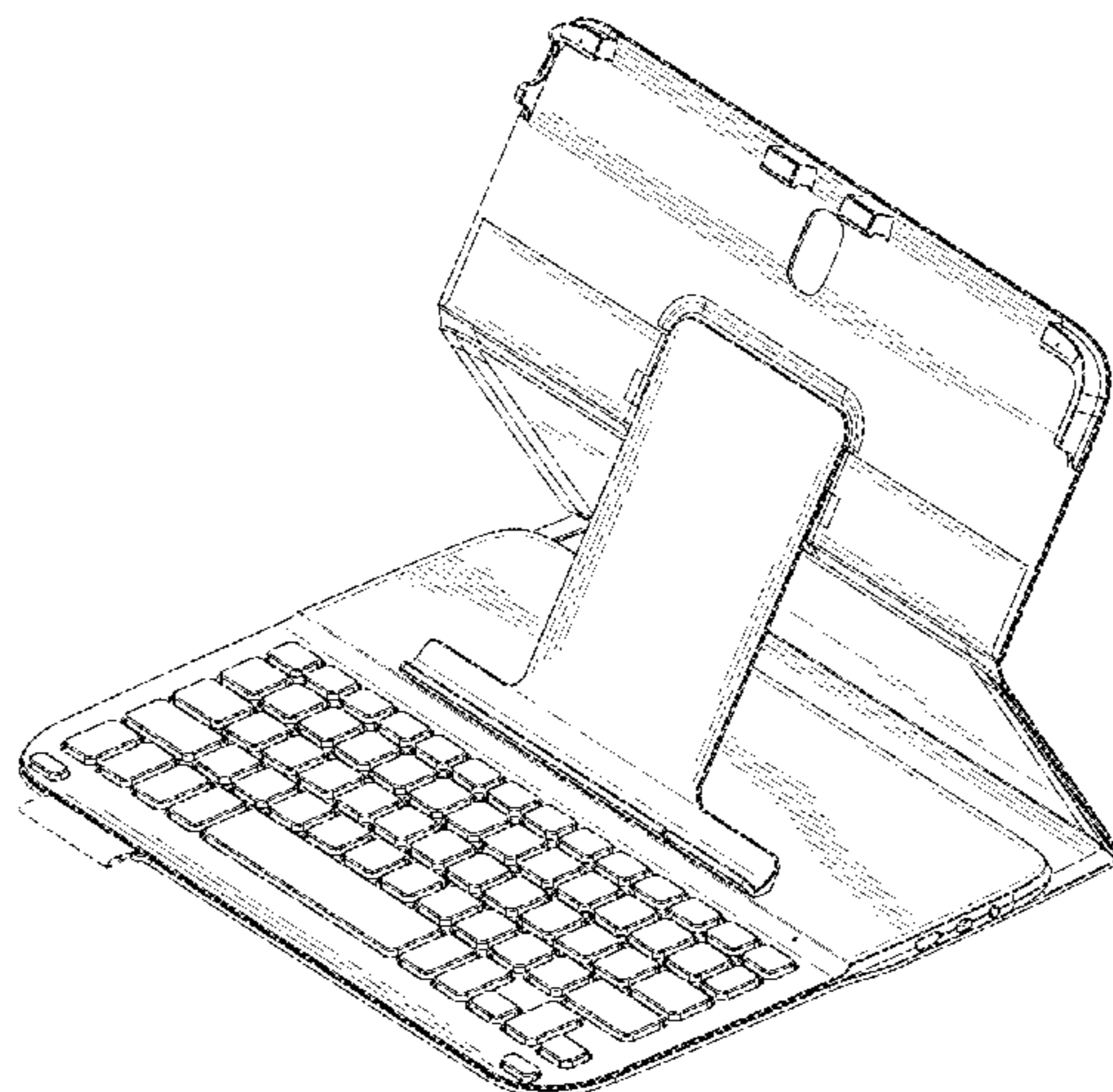
The ornamental design for a protective folio with keyboard for multiple types of input devices, as shown and described.

DESCRIPTION

FIG. 1 is a perspective view of our protective folio with keyboard for multiple types of input devices showing our new design in an open configuration;
FIG. 2 is a top plan view thereof;
FIG. 3 is a bottom plan view thereof;
FIG. 4 is a rear elevational view thereof;
FIG. 5 is a front elevational view thereof;
FIG. 6 is a left side elevational view thereof;
FIG. 7 is a right side elevational view thereof; and,
FIG. 8 is a perspective view showing our new design in a closed configuration.

The broken lines in the drawings depict environmental subject matter/or parts of the protective folio with keyboard for multiple types of input devices and form no part of the claimed design.

1 Claim, 8 Drawing Sheets



(56)

References Cited

U.S. PATENT DOCUMENTS

2012/0194448	A1 *	8/2012	Rothkopf	A45C 13/002 345/173	2013/0020216	A1 *	1/2013	Chiou	G06F 1/1626 206/320
2012/0211377	A1 *	8/2012	Sajid	G06F 1/1628 206/216	2013/0140203	A1 *	6/2013	Chiang	G06F 1/1628 206/320
2012/0211613	A1 *	8/2012	Yang	A45C 11/00 248/174	2013/0213838	A1 *	8/2013	Tsai	G06F 1/1633 206/320
2012/0305413	A1 *	12/2012	Chung	A45C 11/00 206/45.23	2013/0214661	A1 *	8/2013	McBroom	G06F 1/1667 312/325
2012/0308981	A1 *	12/2012	Libin	G09B 3/00 434/362	2013/0241381	A1 *	9/2013	Hynecek	H05K 5/0217 312/240
2013/0015088	A1 *	1/2013	Wu	A45C 11/00 206/320	2013/0264459	A1 *	10/2013	McCosh	G06F 1/1626 248/688

* cited by examiner

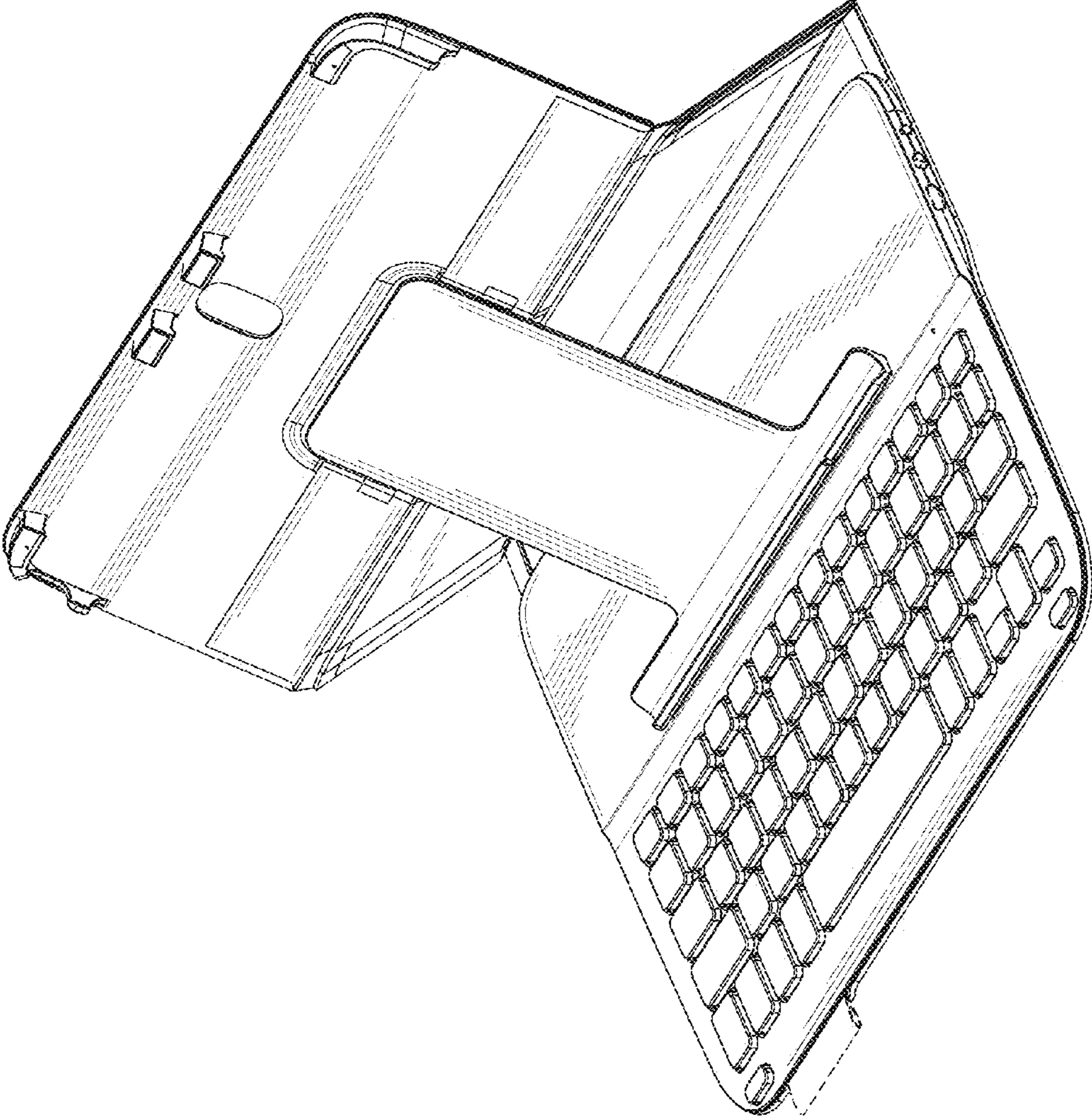


FIG. 1

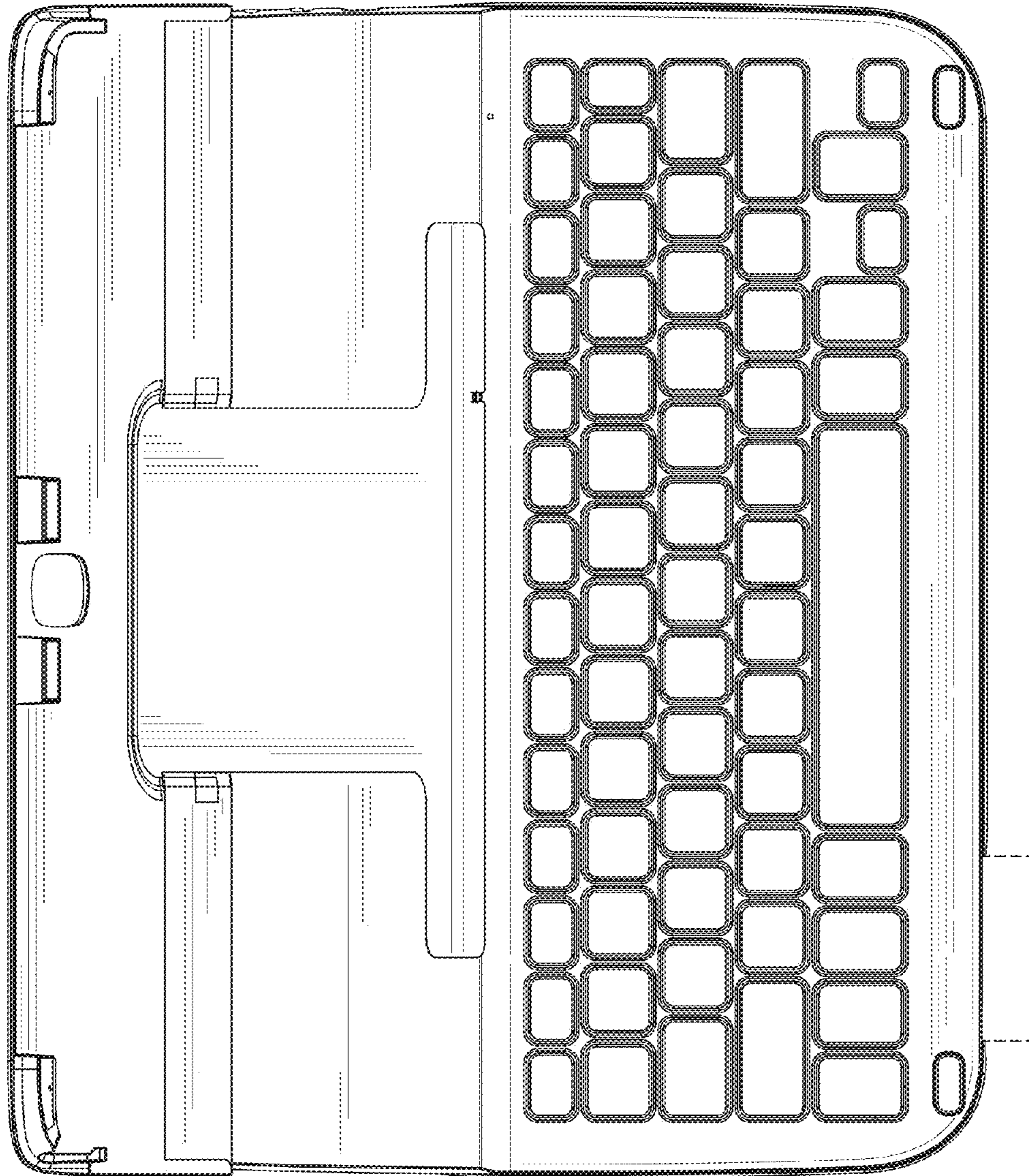


FIG. 2

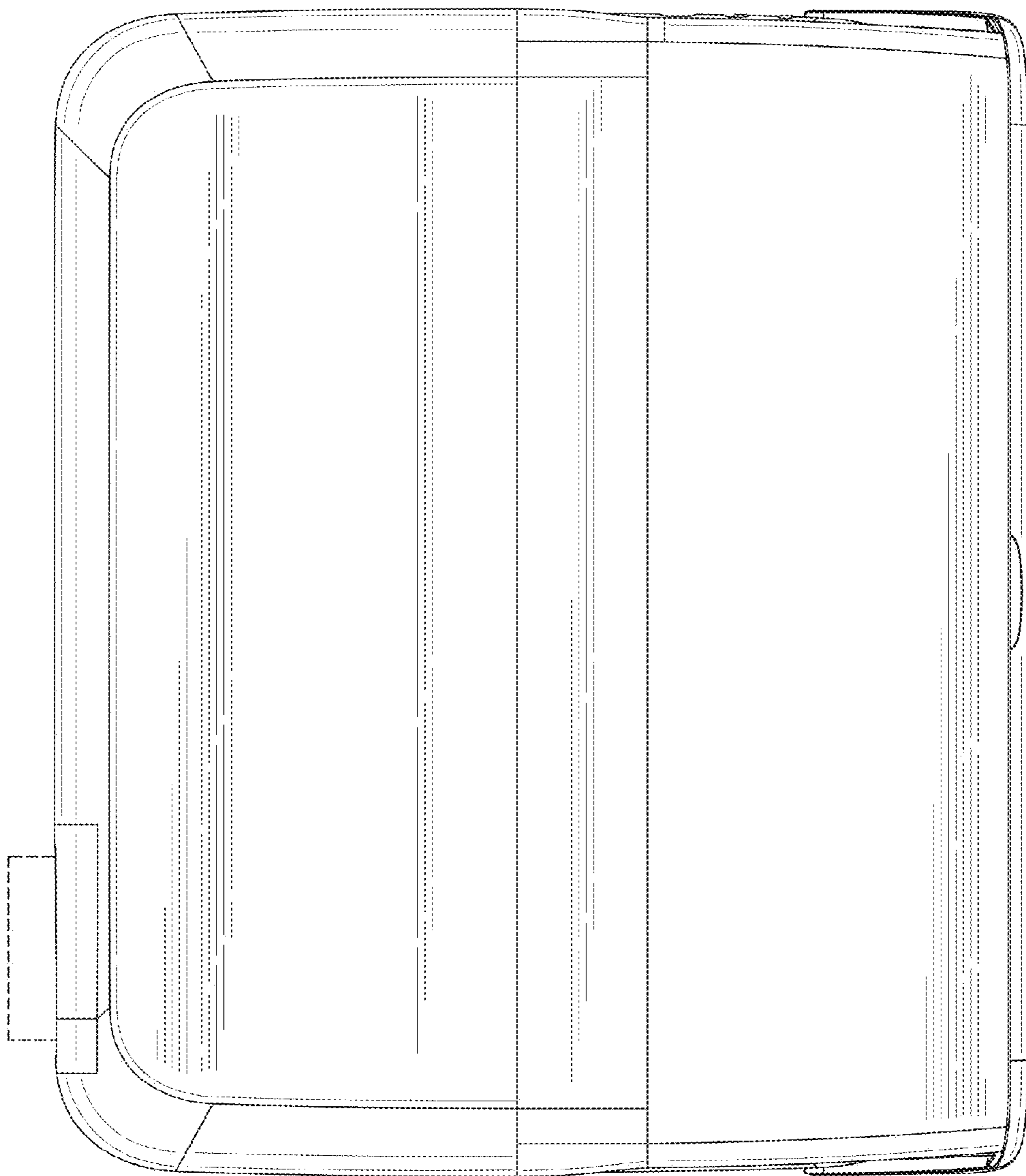


FIG. 3

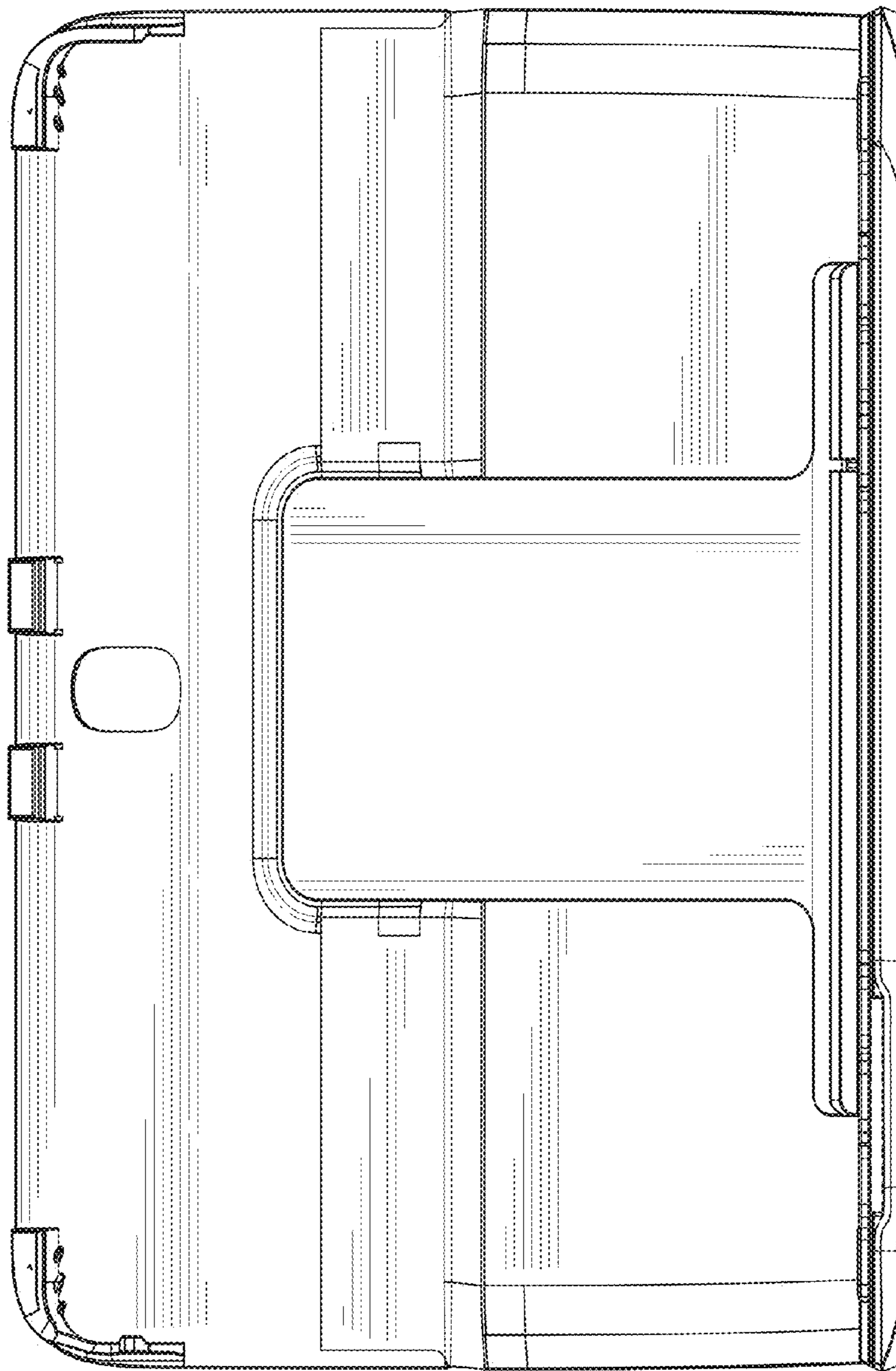


FIG. 4

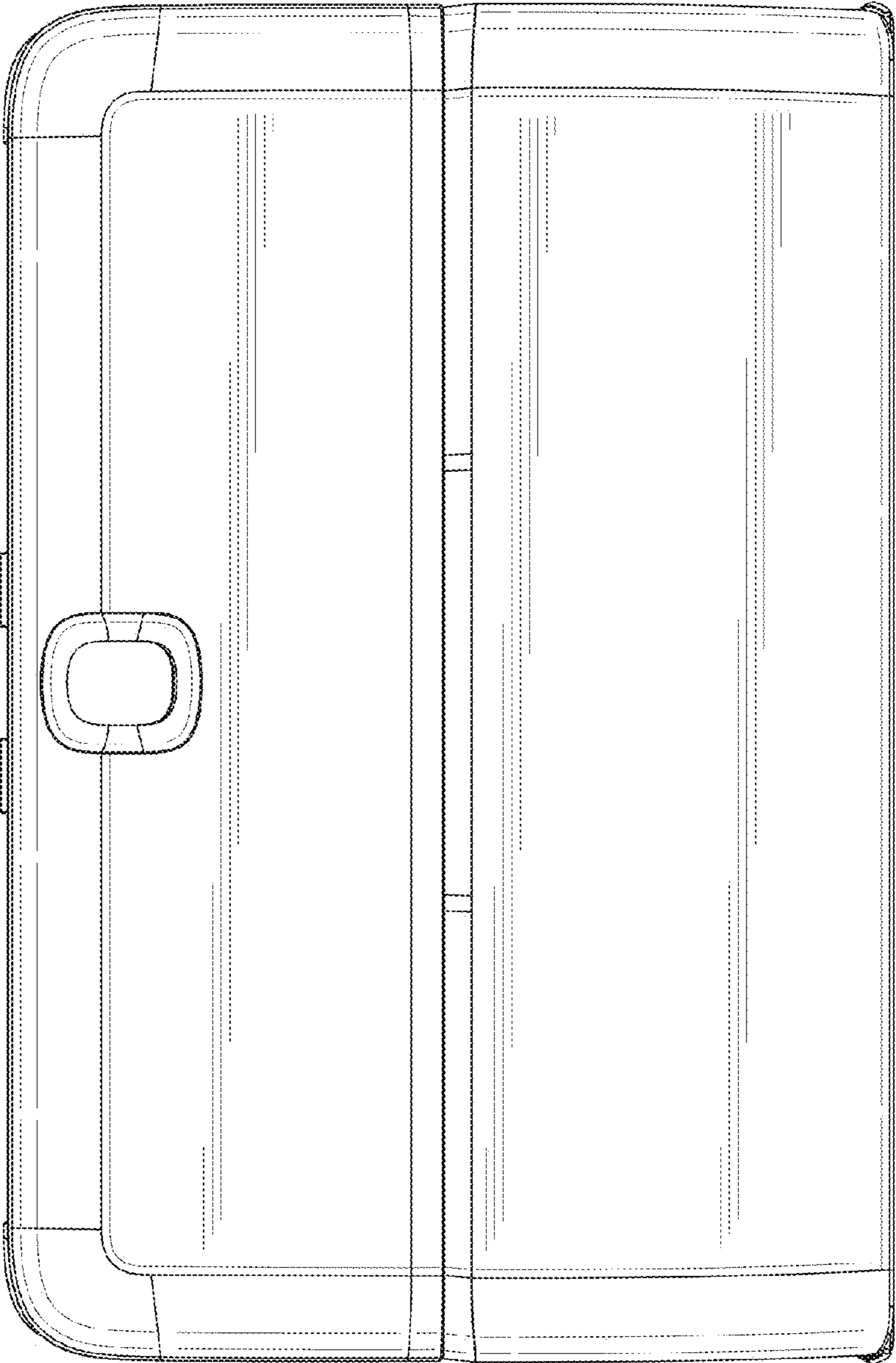


FIG. 5

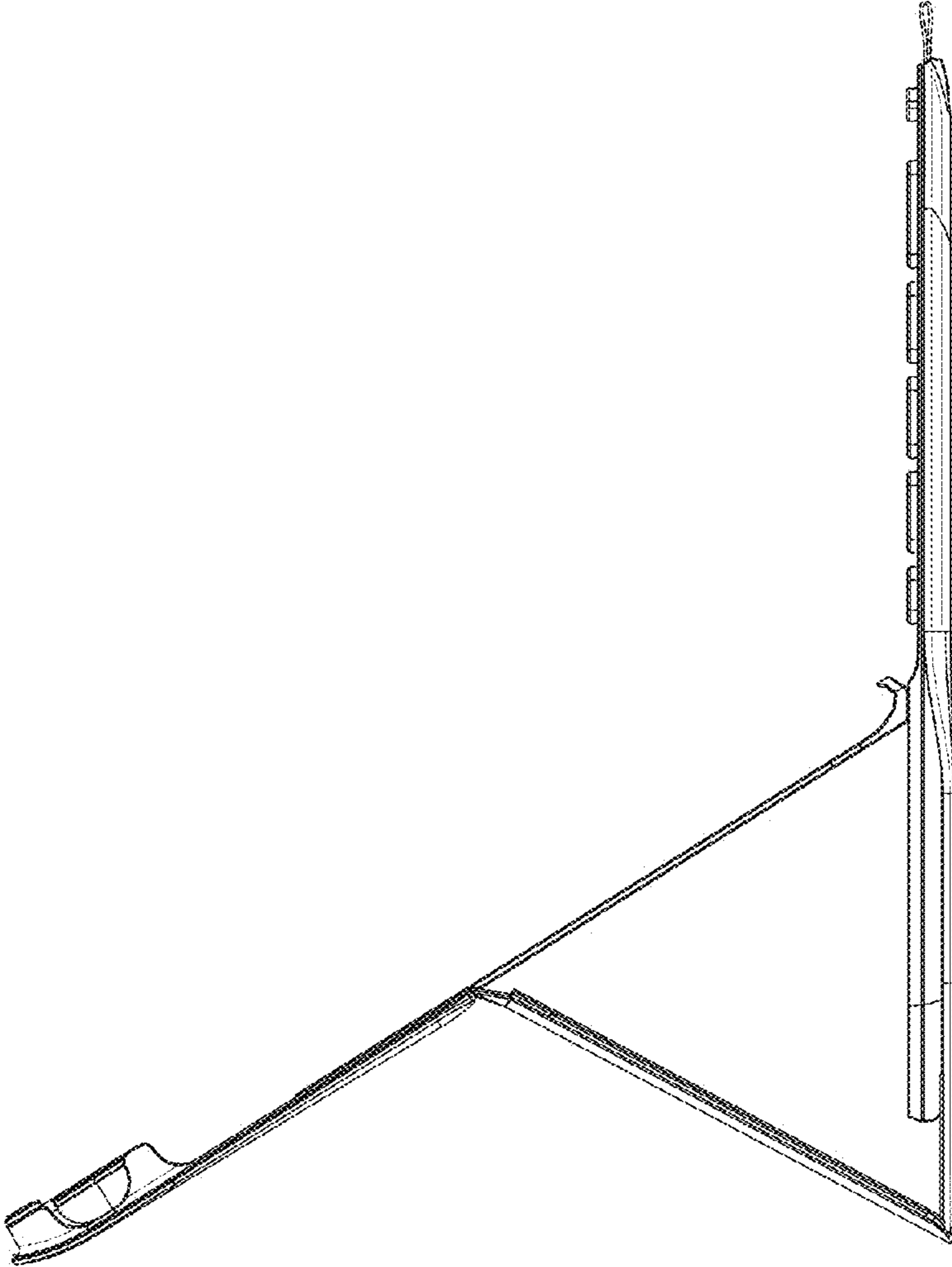


FIG. 6

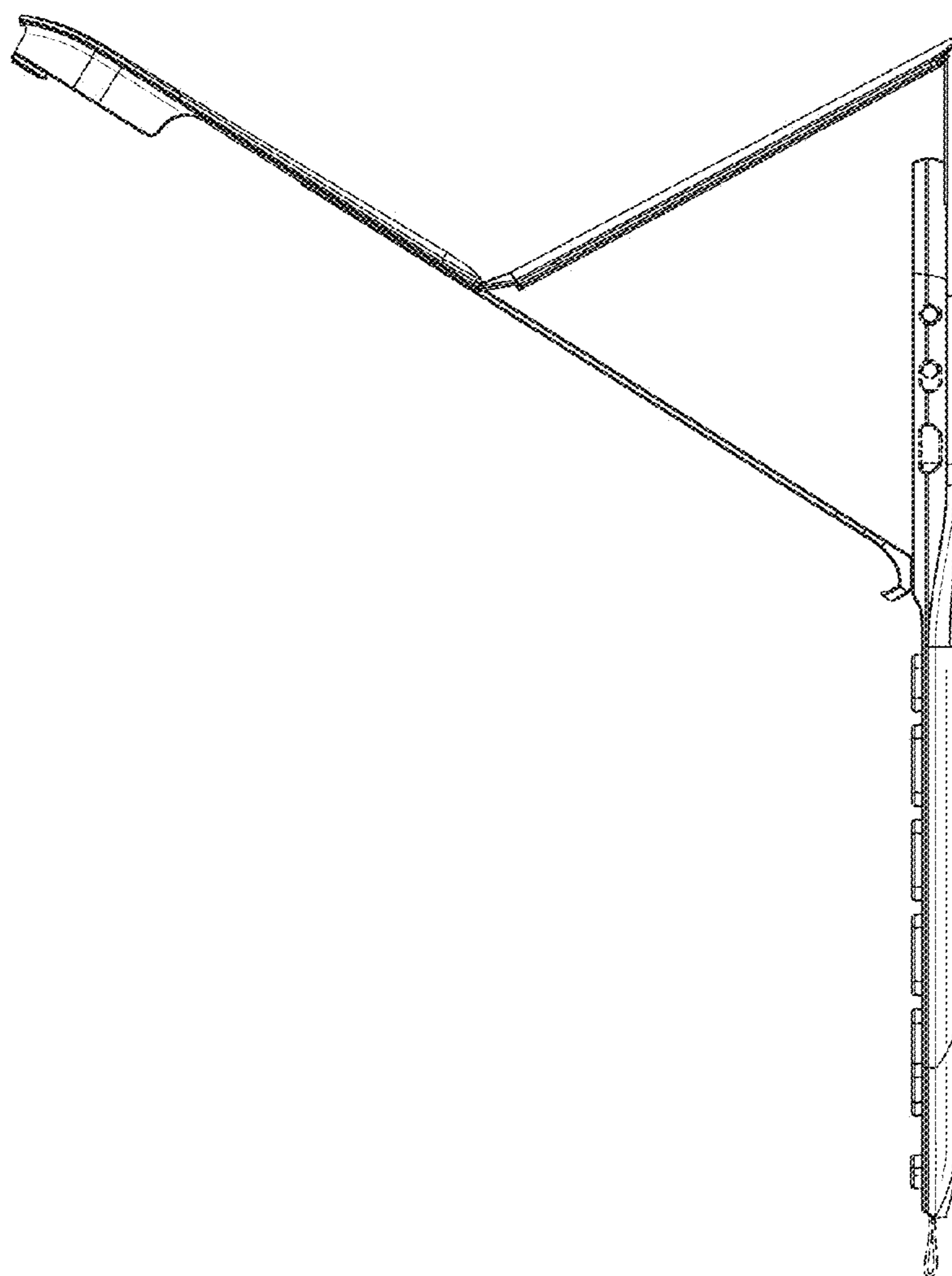


FIG. 7

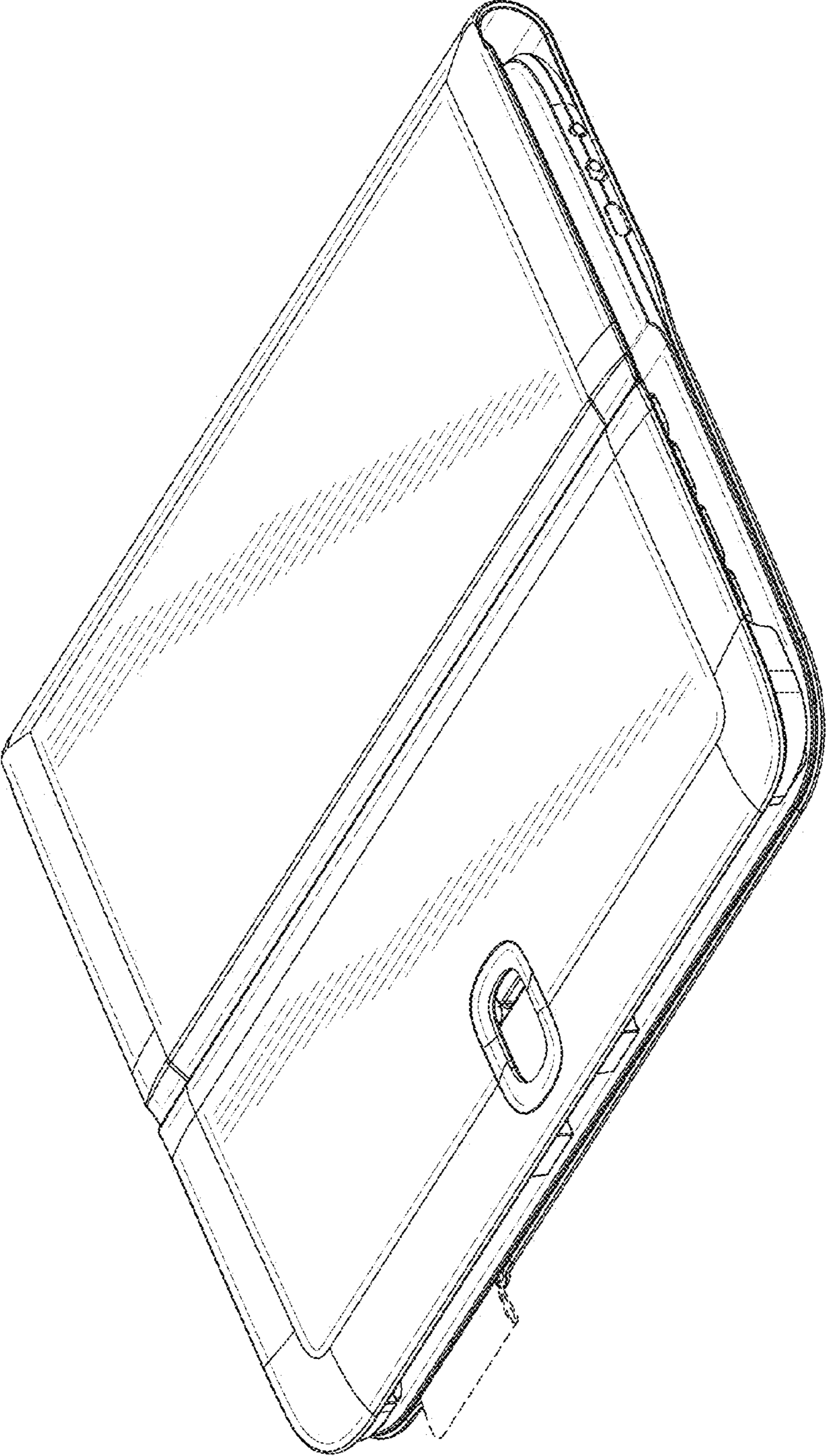


FIG. 8