



US00D750084S

(12) **United States Design Patent**  
**Nguyen et al.**

(10) **Patent No.:** **US D750,084 S**

(45) **Date of Patent:** **\*\* Feb. 23, 2016**

(54) **JACKET FOR A MOBILE COMPUTER**

(56) **References Cited**

(71) Applicant: **Hewlett-Packard Development Company, L.P.**, Houston, TX (US)

U.S. PATENT DOCUMENTS

(72) Inventors: **Michael Dai-Duong Nguyen**, Houston, TX (US); **Paul Roberto Lalinde**, Houston, TX (US); **Scott Gregory**, Houston, TX (US)

D660,789 S *	5/2012	Mar	.....	D13/103
D670,702 S *	11/2012	Zhang et al.	.....	D14/440
D675,210 S *	1/2013	Kim	.....	D14/440
D676,854 S *	2/2013	Hsu et al.	.....	D14/447
D679,714 S *	4/2013	Smith et al.	.....	D14/440
D706,782 S *	6/2014	Dresser, III	.....	D14/440
D708,621 S *	7/2014	Gifford et al.	.....	D14/447
D724,594 S *	3/2015	Venida	.....	D14/440
D733,149 S *	6/2015	Dahlberg	.....	D14/440
D737,276 S *	8/2015	Armstrong	.....	D14/440

(73) Assignee: **Hewlett-Packard Development Company, L.P.**, Houston, TX (US)

\* cited by examiner

(\*\*) Term: **14 Years**

*Primary Examiner* — Cynthia Underwood

(21) Appl. No.: **29/506,053**

(74) *Attorney, Agent, or Firm* — Foley & Lardner LLP

(22) Filed: **Oct. 13, 2014**

(57) **CLAIM**

(51) **LOC (10) Cl.** ..... **14-02**

We claim the ornamental design for a jacket for a mobile computer, as shown and described.

(52) **U.S. Cl.**

**DESCRIPTION**

USPC ..... **D14/440**

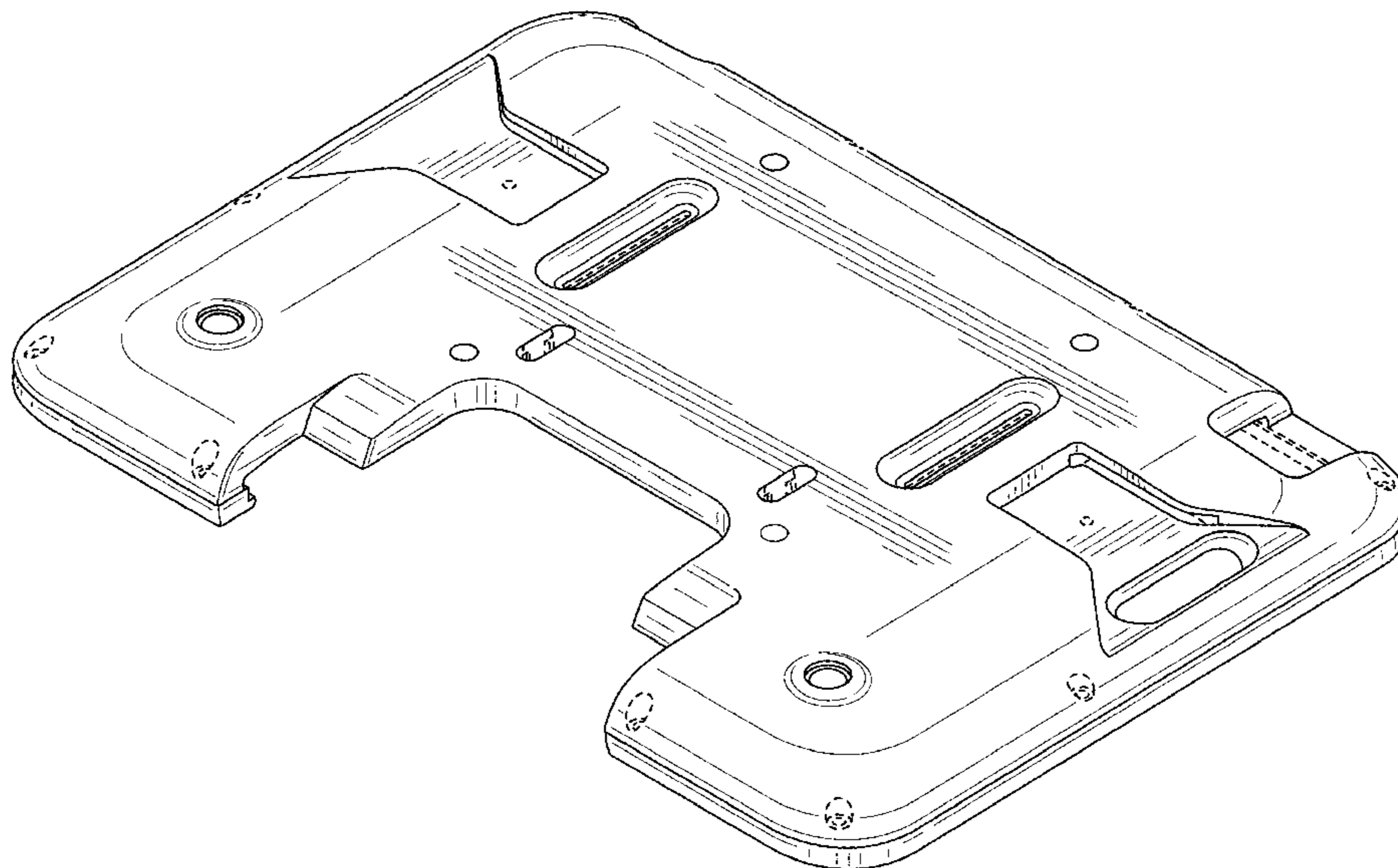
(58) **Field of Classification Search**

USPC ..... D14/250, 251, 253, 240, 217, 496, 440, D14/203.3, 203.4, 203.5, 203.8, 341, 318; D3/218, 215, 201, 294, 289, 900; 220/4.02; 248/309.1; 361/679.56; 379/426, 433.11, 455; 455/575.1, 455/575.8, 457.1; 190/100; 206/305, 320, 206/45.2; D21/469; 312/240

CPC ... G06F 1/1601; G06F 1/1626; G06F 1/1633; G06F 1/1675; G06F 1/1679; G02F 1/1306; G02F 1/133; G02F 1/133308; G02F 1/153; G02F 1/1533; G02F 2001/133317; H04M 1/185; H04M 1/0252; H04B 1/3888

See application file for complete search history.

**1 Claim, 6 Drawing Sheets**



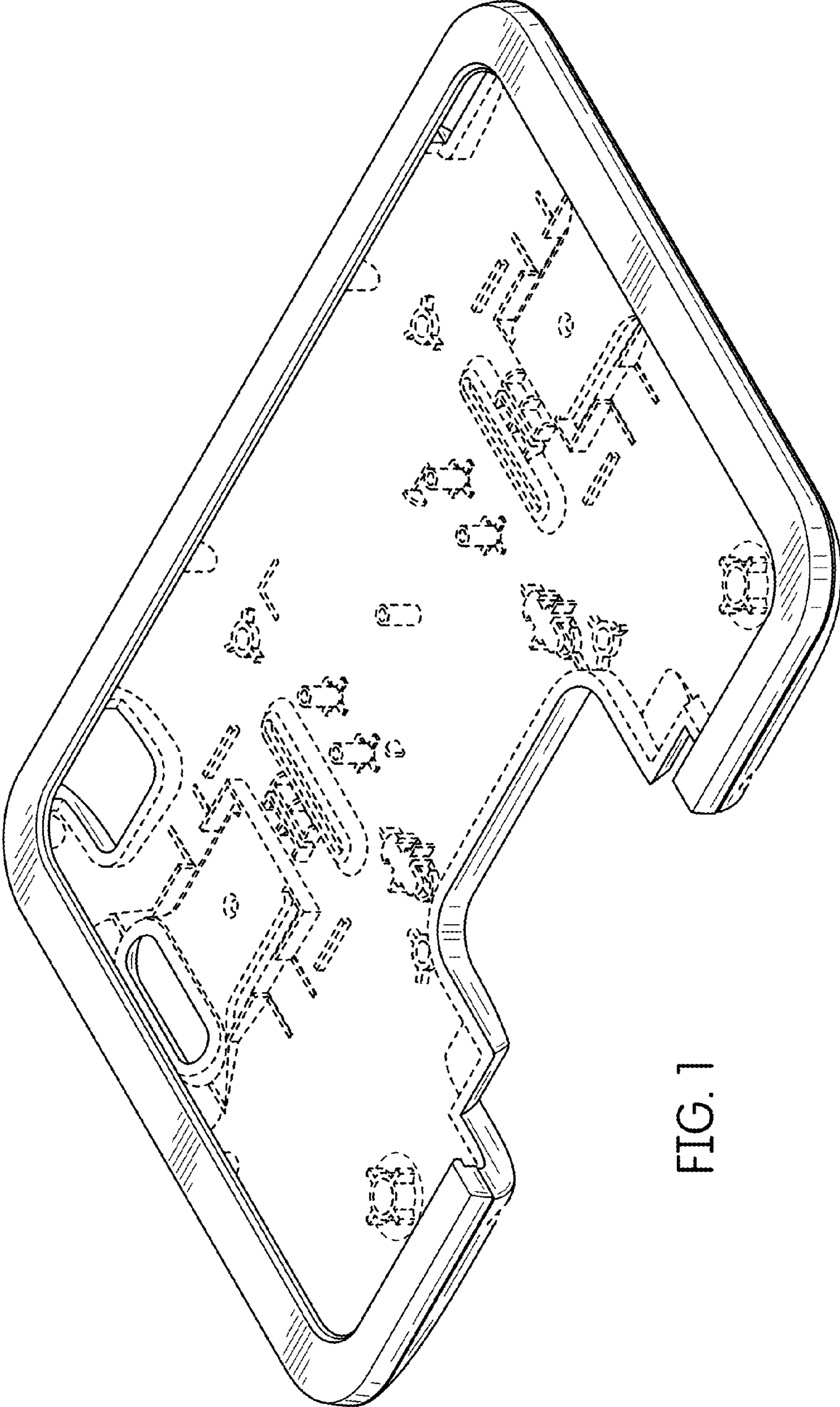


FIG. 1

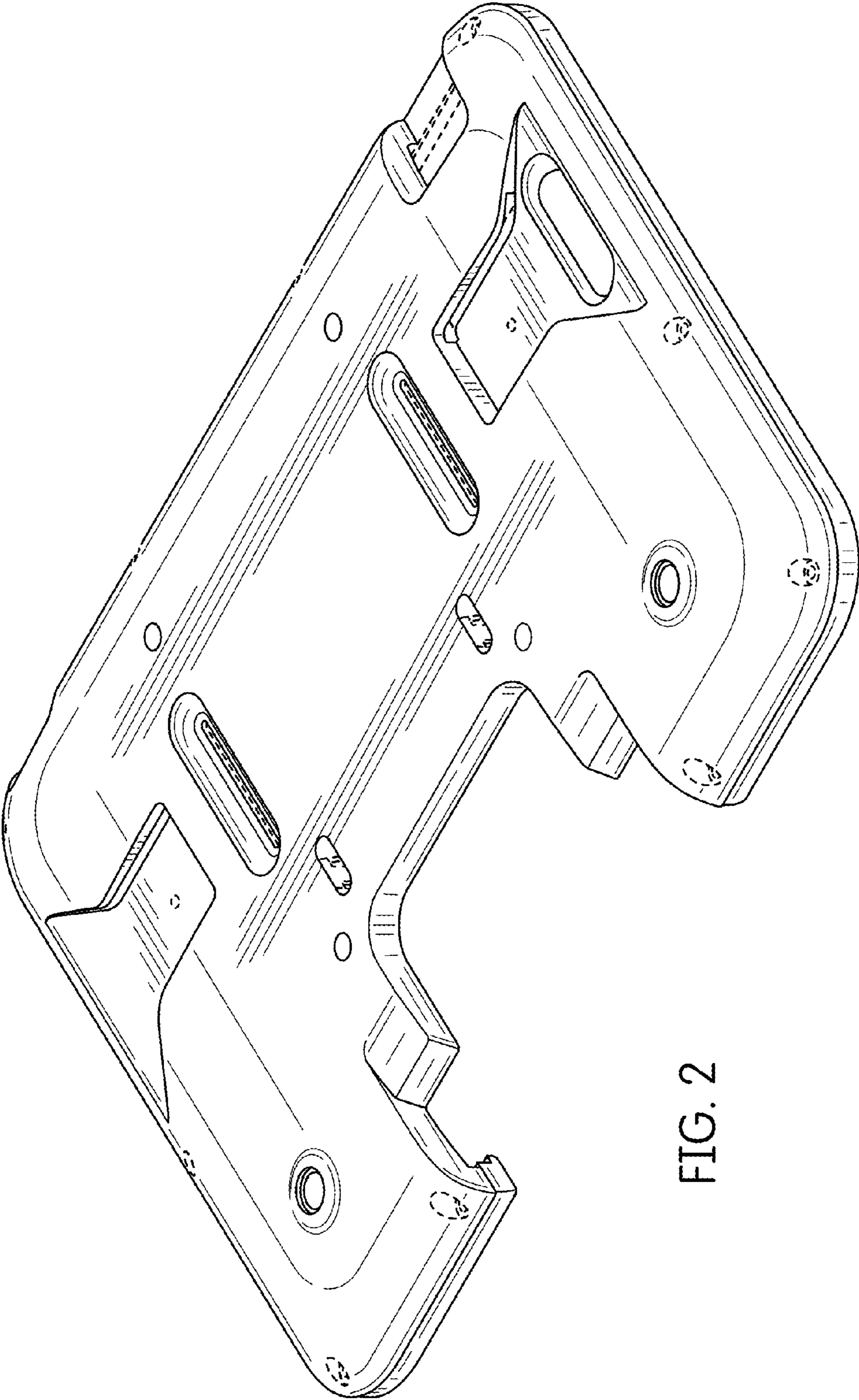


FIG. 2

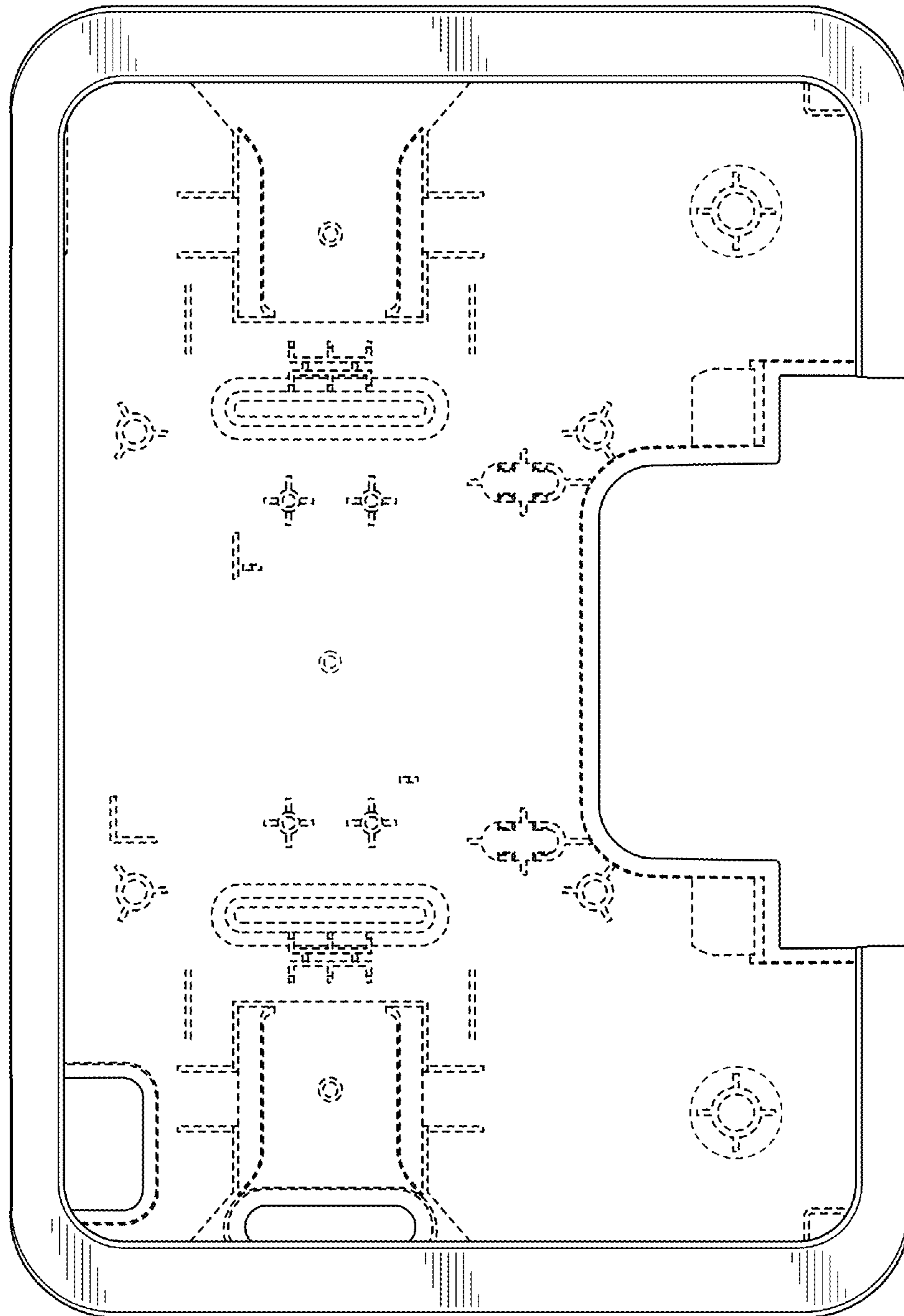


FIG. 3

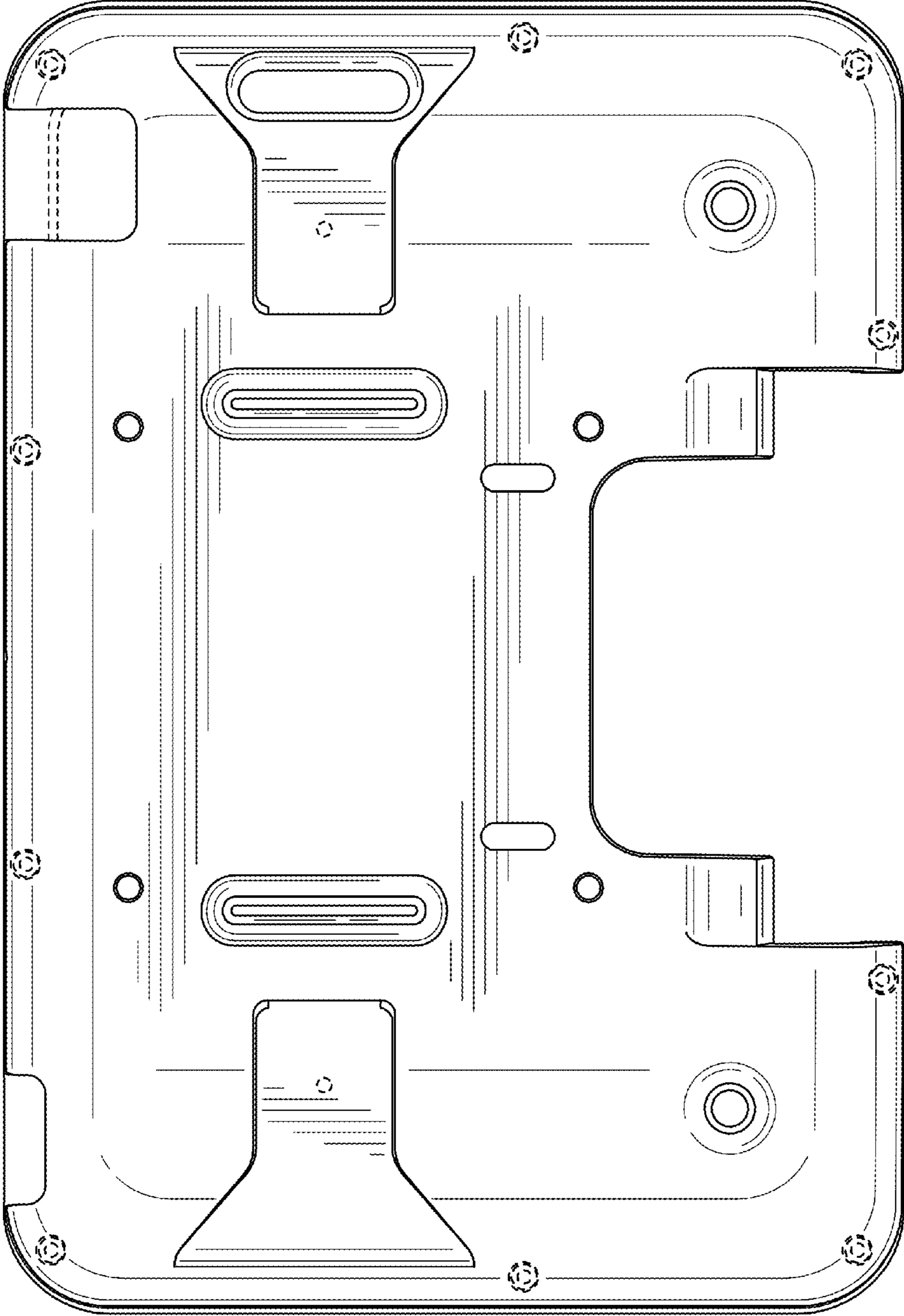


FIG. 4

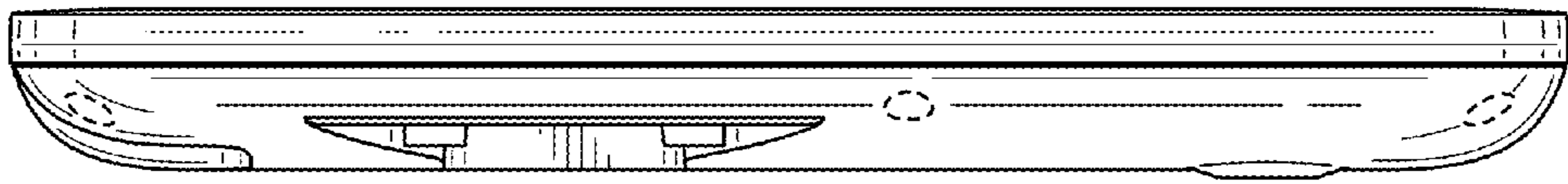


FIG. 6



FIG. 5

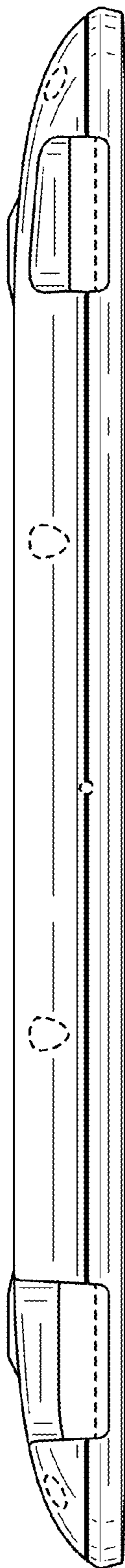


FIG. 7

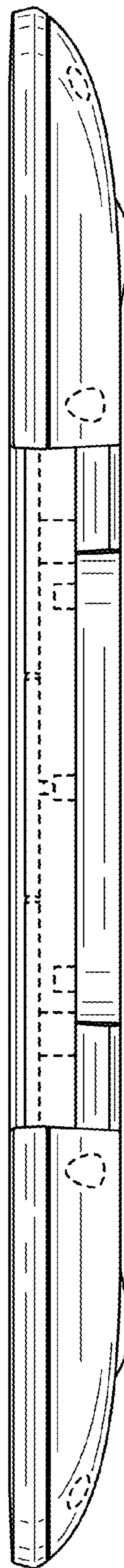


FIG. 8