



US00D750083S

(12) **United States Design Patent**  
**Chow**

(10) **Patent No.:** **US D750,083 S**

(45) **Date of Patent:** **\*\* Feb. 23, 2016**

(54) **DOCKING DEVICE**

(71) Applicant: **Karen Chow**, Houston, TX (US)

(72) Inventor: **Karen Chow**, Houston, TX (US)

(\*\*) Term: **14 Years**

(21) Appl. No.: **29/513,006**

(22) Filed: **Dec. 24, 2014**

(51) **LOC (10) Cl.** ..... **14-02**

(52) **U.S. Cl.**  
USPC ..... **D14/434**

(58) **Field of Classification Search**  
USPC ..... D14/432-434, 314, 204, 420, 421, 447,  
D14/217, 358, 138 R, 140, 142, 253;  
D13/107, 108, 146; D8/373;  
248/346.03, 176.1; 361/679.41,  
361/679.31, 679.32, 679.4, 679.43, 679.55,  
361/679.58, 679.33; 320/107, 109,  
320/112-115; 710/15, 303; 455/557;  
439/347, 534  
CPC ..... H02J 7/0042; H02J 7/00; H01R 31/065;  
H01M 10/44; F16M 11/10; G06F 1/1632

See application file for complete search history.

(56) **References Cited**

U.S. PATENT DOCUMENTS

5,645,434	A *	7/1997	Leung .....	H01R 31/005 361/735
D413,574	S *	9/1999	Goto .....	D13/146
D443,860	S *	6/2001	Ogasawara .....	D13/146
D505,958	S *	6/2005	Cheng .....	D14/434
D604,737	S *	11/2009	Symons .....	D14/434
D647,908	S *	11/2011	Chen .....	D14/434
D680,116	S *	4/2013	McParland .....	D14/434
D689,858	S *	9/2013	Lo .....	D14/357
D693,349	S *	11/2013	Morgan .....	D14/434
2007/0072485	A1 *	3/2007	Lin .....	H01R 13/6275 439/527

\* cited by examiner

*Primary Examiner* — Freda S Nunn

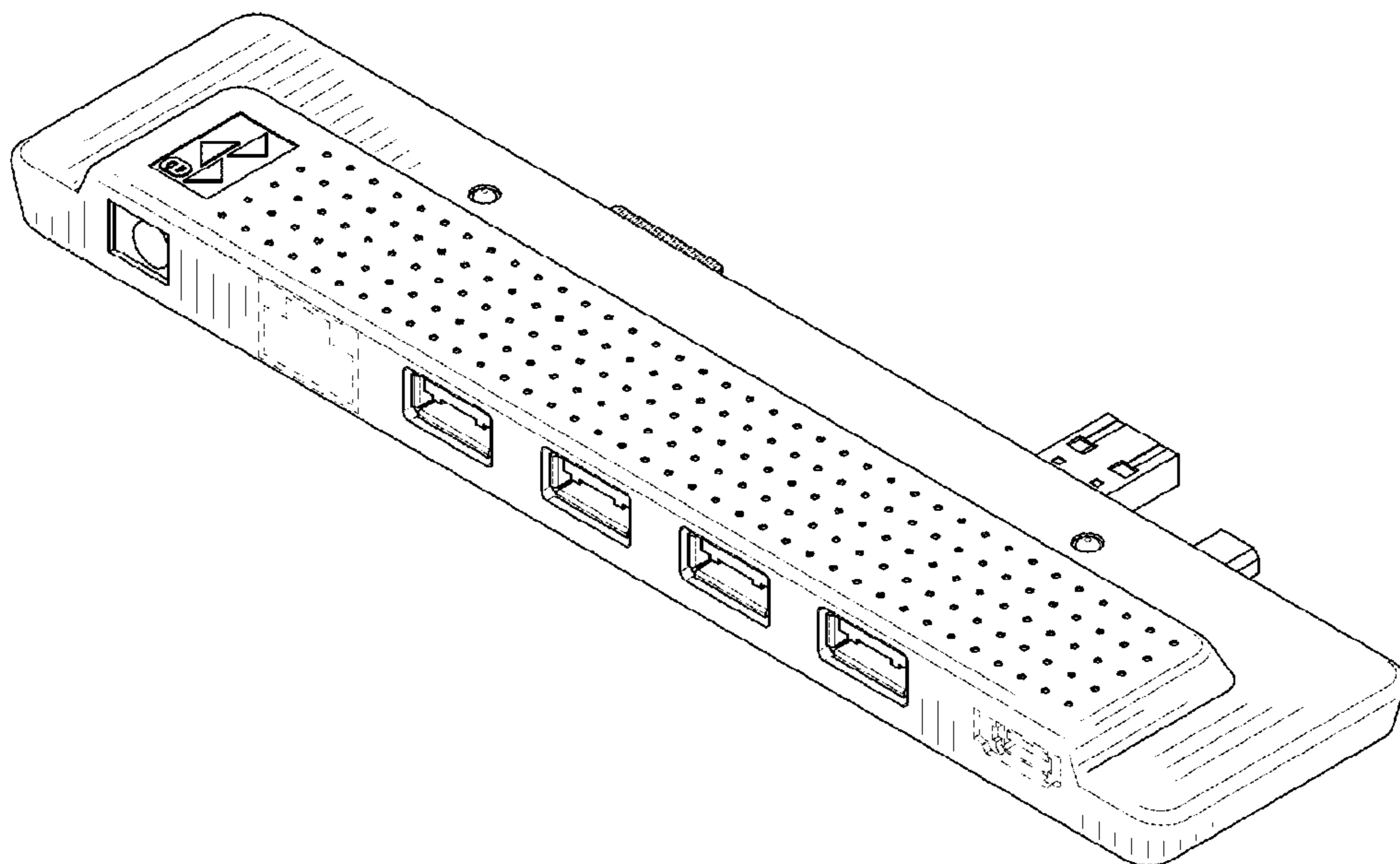
(57) **CLAIM**

The ornamental design for a docking device, as shown and described.

**DESCRIPTION**

FIG. 1 is a top front perspective view of a docking device;  
FIG. 2 is a front elevation view thereof;  
FIG. 3 is a rear elevation view thereof;  
FIG. 4 is a left side elevation view thereof;  
FIG. 5 is a right side elevation view thereof;  
FIG. 6 is a top elevation view thereof; and,  
FIG. 7 is a bottom elevation view thereof.  
The broken lines shown represent unclaimed subject matter and form no part of the claimed design.

**1 Claim, 3 Drawing Sheets**



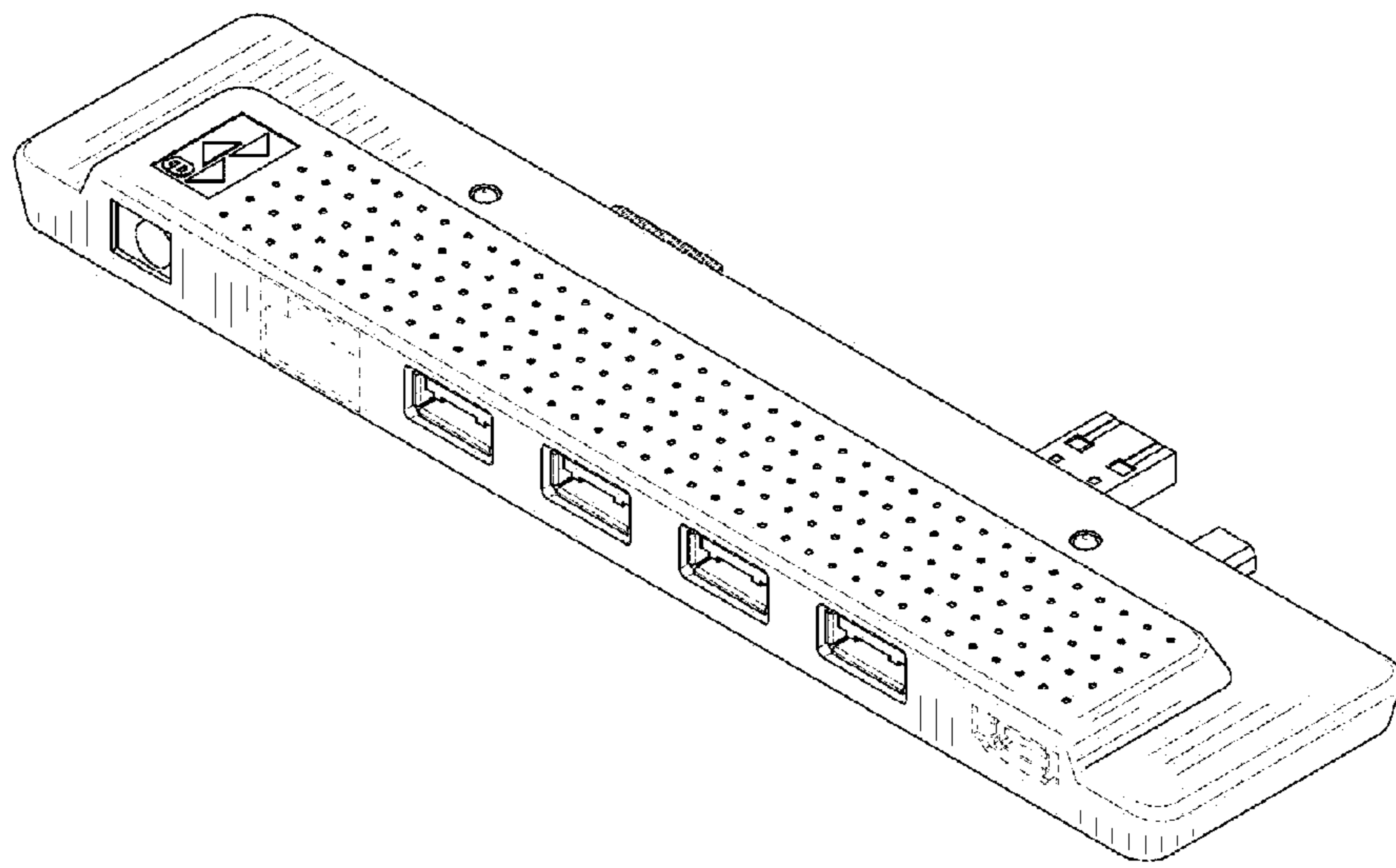


FIG. 1

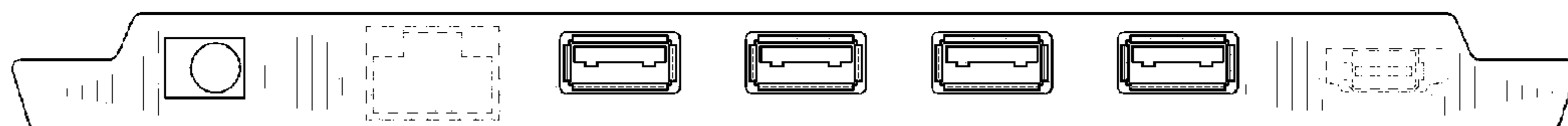


FIG. 2

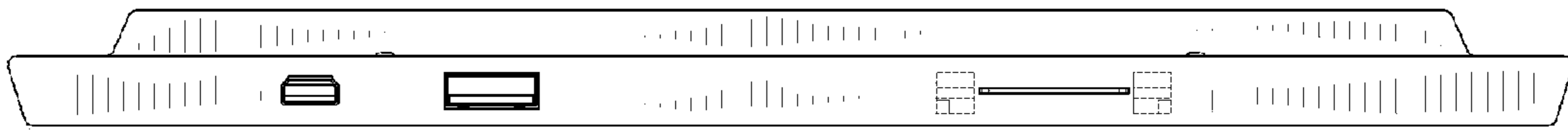


FIG. 3

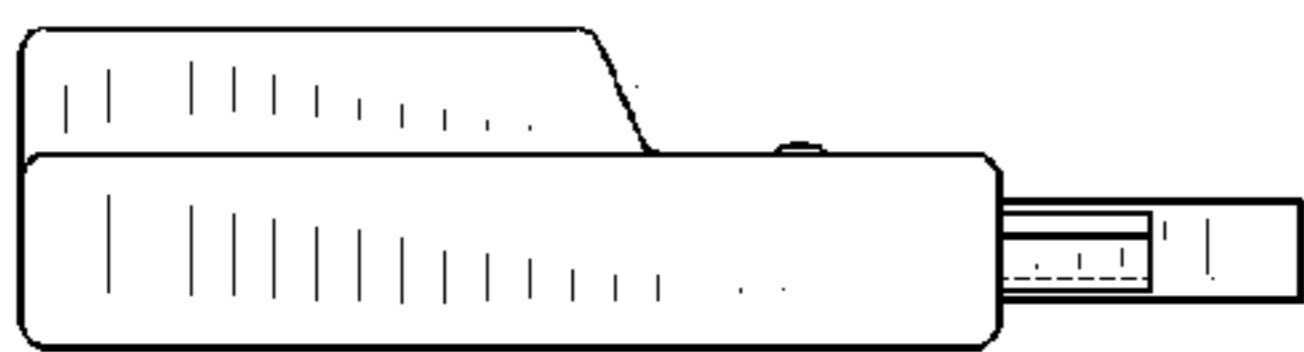


FIG. 4

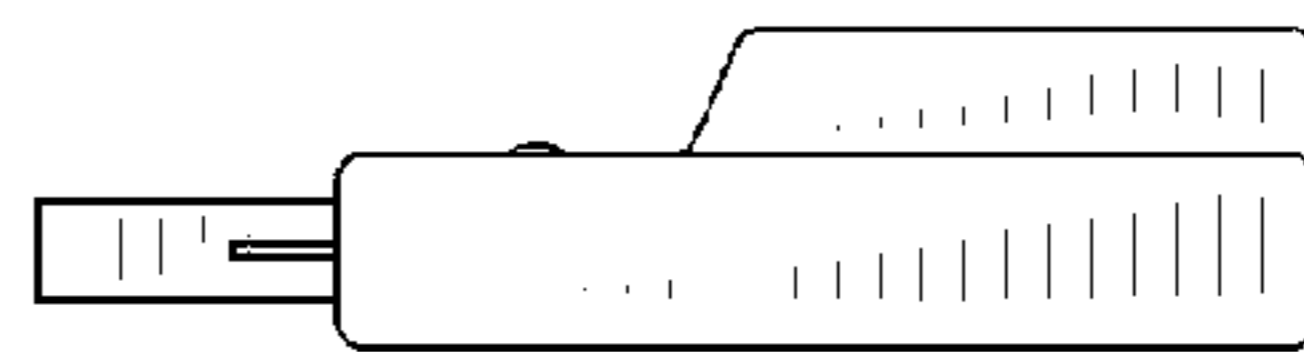


FIG. 5

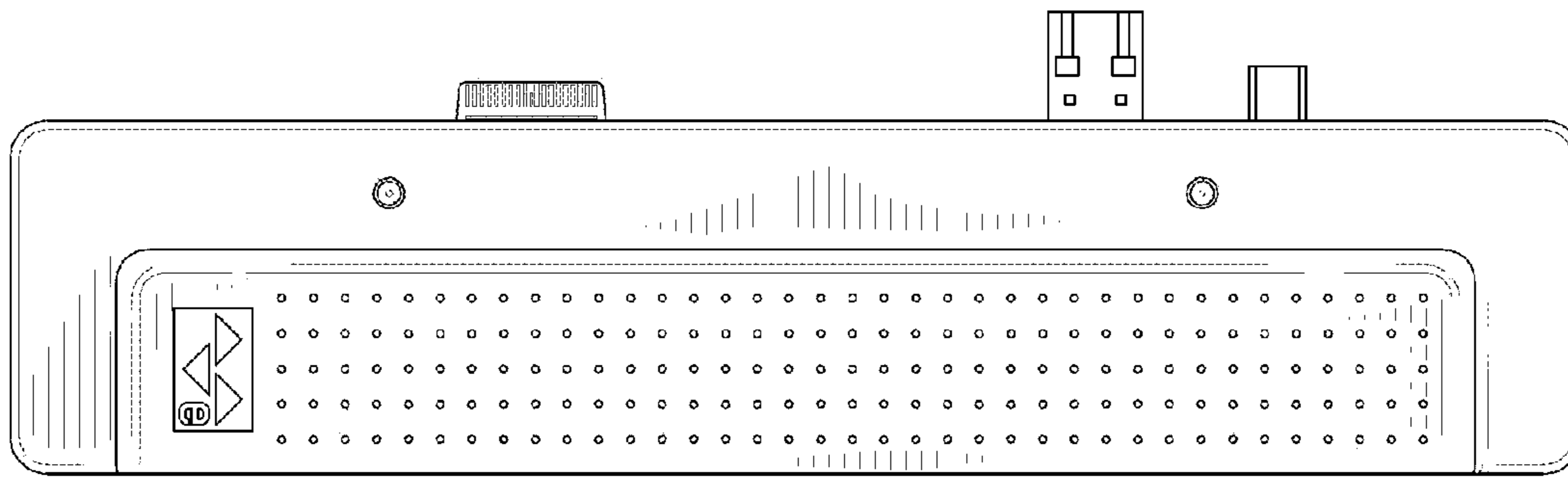


FIG. 6

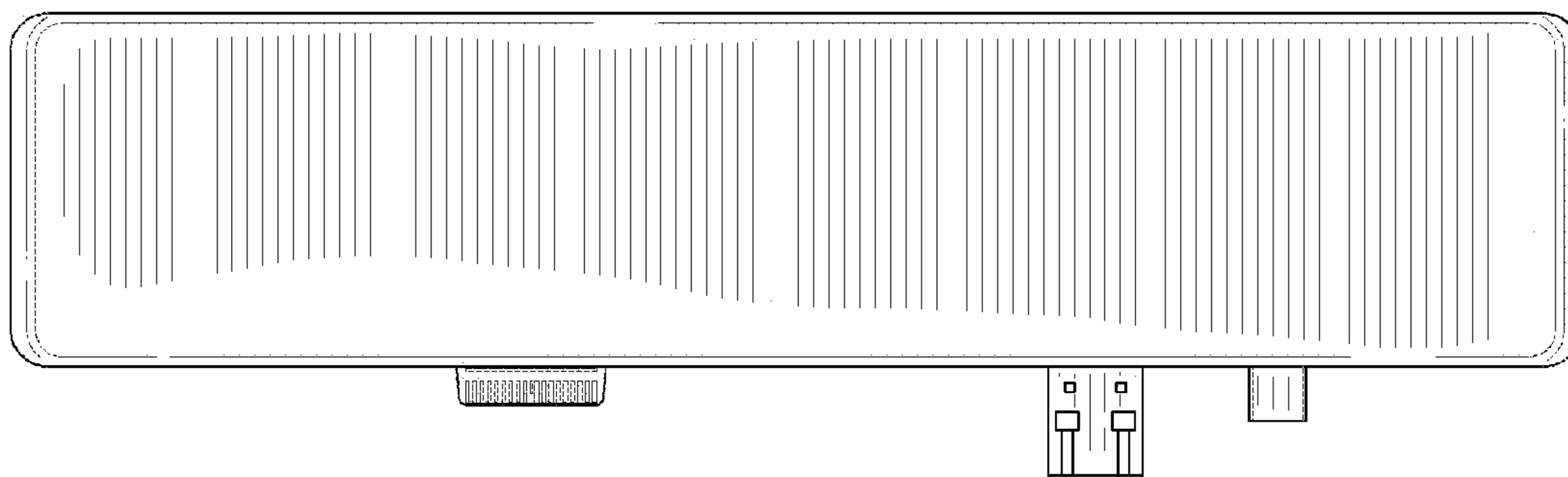


FIG. 7