

US00D750078S

(12) **United States Design Patent**
Kim et al.

(10) **Patent No.:** **US D750,078 S**

(45) **Date of Patent:** **** Feb. 23, 2016**

(54) **MONITOR FOR COMPUTER**

(71) Applicant: **Samsung Electronics Co., Ltd.**,
Suwon-si (KR)

(72) Inventors: **Chungha Kim**, Seoul (KR); **Inshik Kim**, Seongnam-si (KR)

(73) Assignee: **Samsung Electronics Co., Ltd.**,
Suwon-si (KR)

(**) Term: **14 Years**

(21) Appl. No.: **29/507,025**

(22) Filed: **Oct. 23, 2014**

(30) **Foreign Application Priority Data**

Apr. 25, 2014 (KR) 30-2014-0021184

(51) **LOC (10) Cl.** **14-02**

(52) **U.S. Cl.**
USPC **D14/375**

(58) **Field of Classification Search**
USPC D14/371-375, 125-129, 336, 337, 341;
341/12; 345/104, 156, 168, 173;
348/180, 184, 325, 739; 349/1, 2, 11,
349/62; 361/679.05-679.07, 679.21;
D6/300, 308

CPC G06F 1/16; G06F 1/1601; G06F 3/037;
G06F 1/162; F16M 11/10

See application file for complete search history.

(56) **References Cited**

U.S. PATENT DOCUMENTS

D657,792 S * 4/2012 Lee D14/374

D667,826 S * 9/2012 Lee D14/374
2011/0096486 A1 * 4/2011 Oh F16M 11/10
361/679.21

* cited by examiner

Primary Examiner — Freda S Nunn

(74) *Attorney, Agent, or Firm* — NSIP Law

(57) **CLAIM**

We claim the ornamental design for a monitor for computer, as shown and described.

DESCRIPTION

FIG. 1 is a front perspective view of a monitor for computer showing our new design;

FIG. 2 is a front view thereof;

FIG. 3 is a rear view thereof;

FIG. 4 is a left-side view thereof;

FIG. 5 is a right-side view thereof;

FIG. 6 is a top view thereof;

FIG. 7 is a bottom view thereof;

FIG. 8 is an enlarged cross-sectional view taken through line 8-8 of FIG. 2; and,

FIG. 9 is another right-side view of the monitor for computer shown in an alternate position.

The short dash-dash broken lines in the figures show portions of the monitor for computer which form no part of the claimed design.

The dot-dot-dash broken lines encircling portions of the claimed design that are illustrated in enlargements form no part of the claimed design.

1 Claim, 9 Drawing Sheets

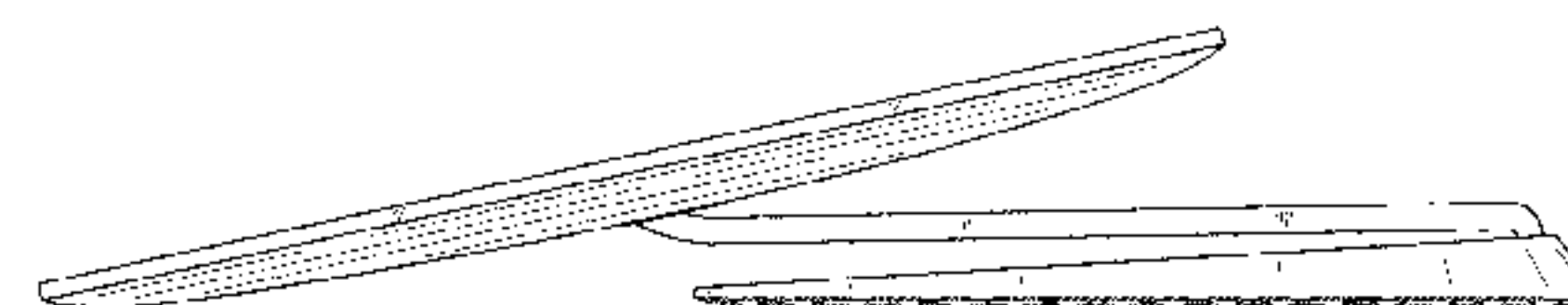
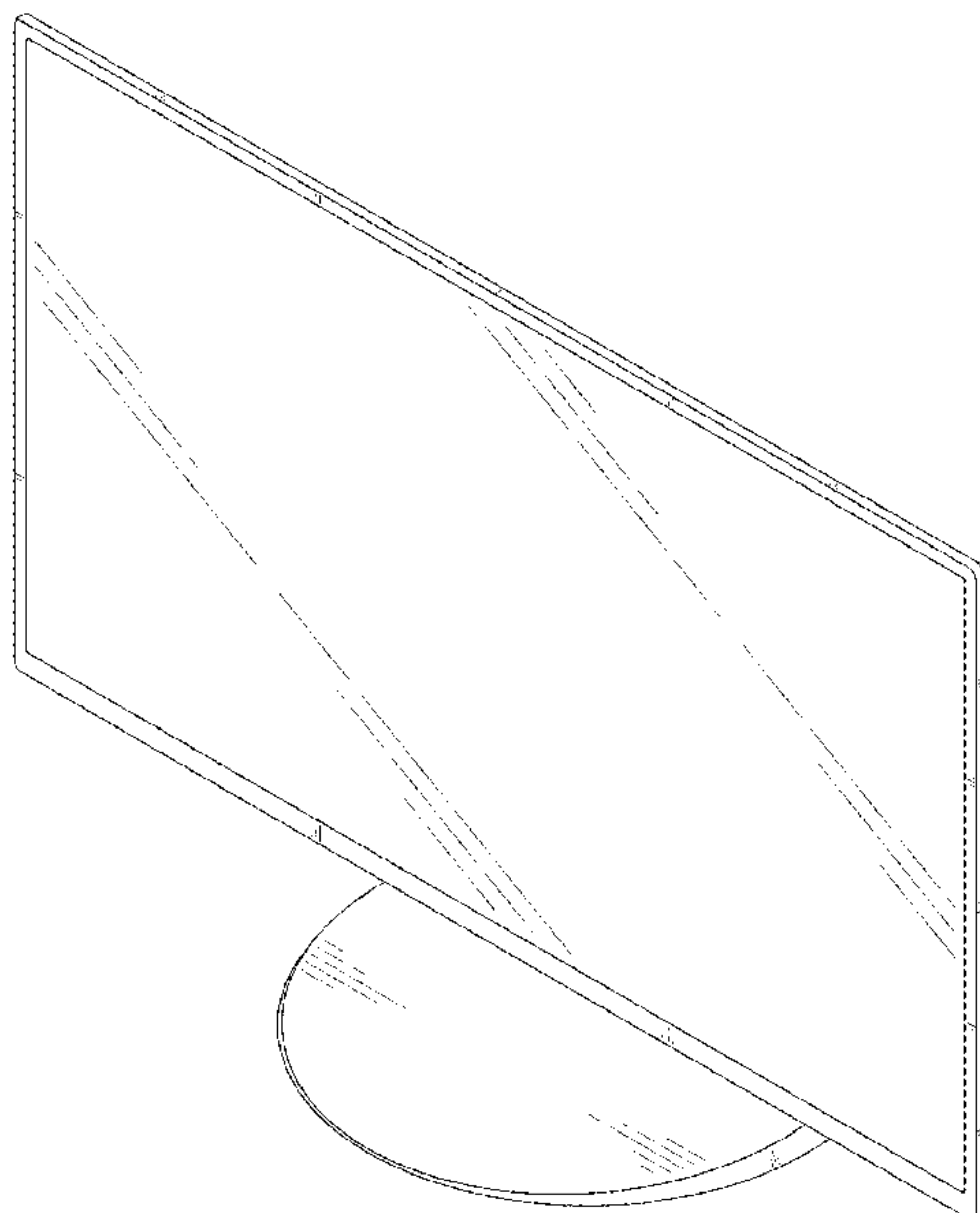


FIG. 1

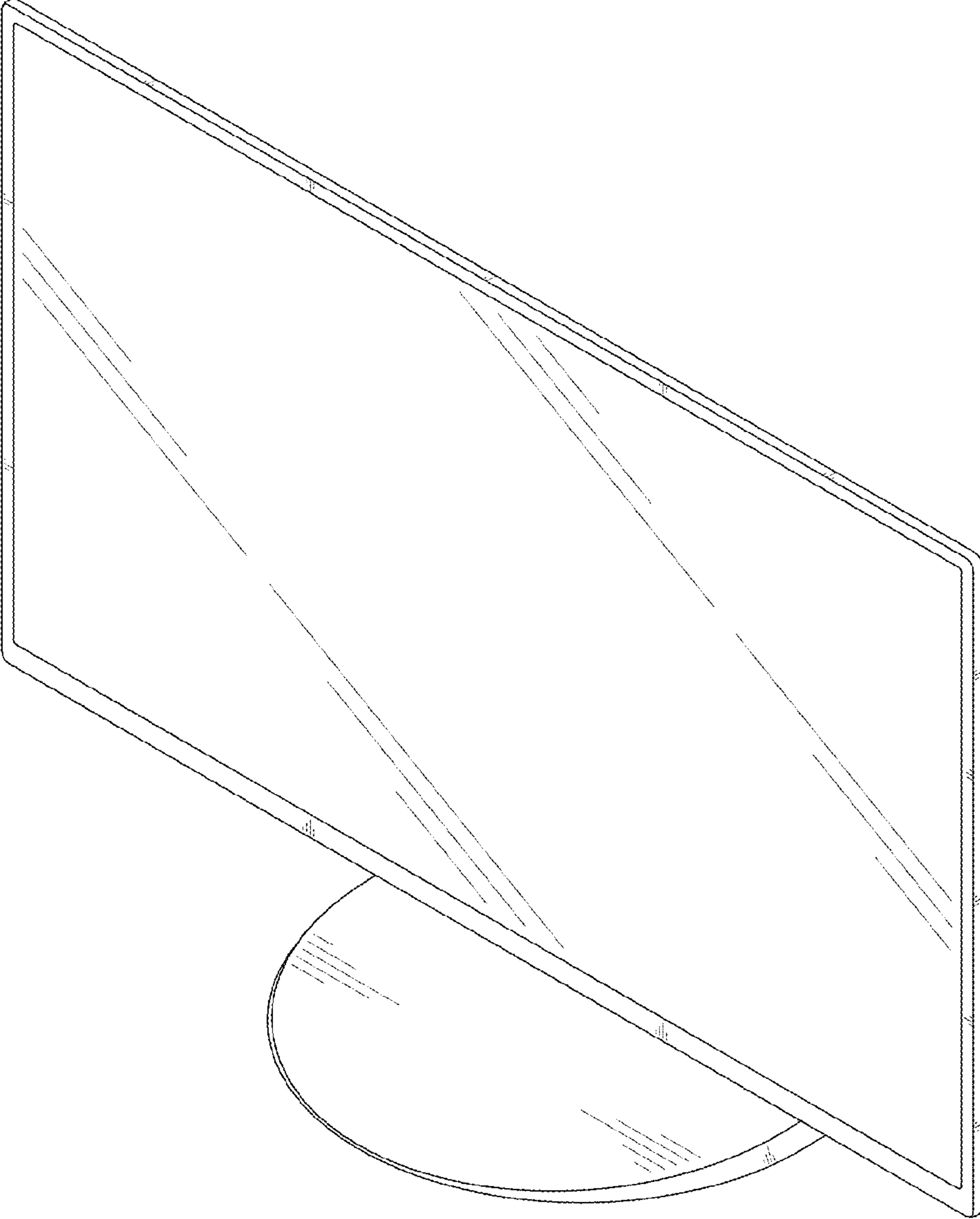


FIG. 2

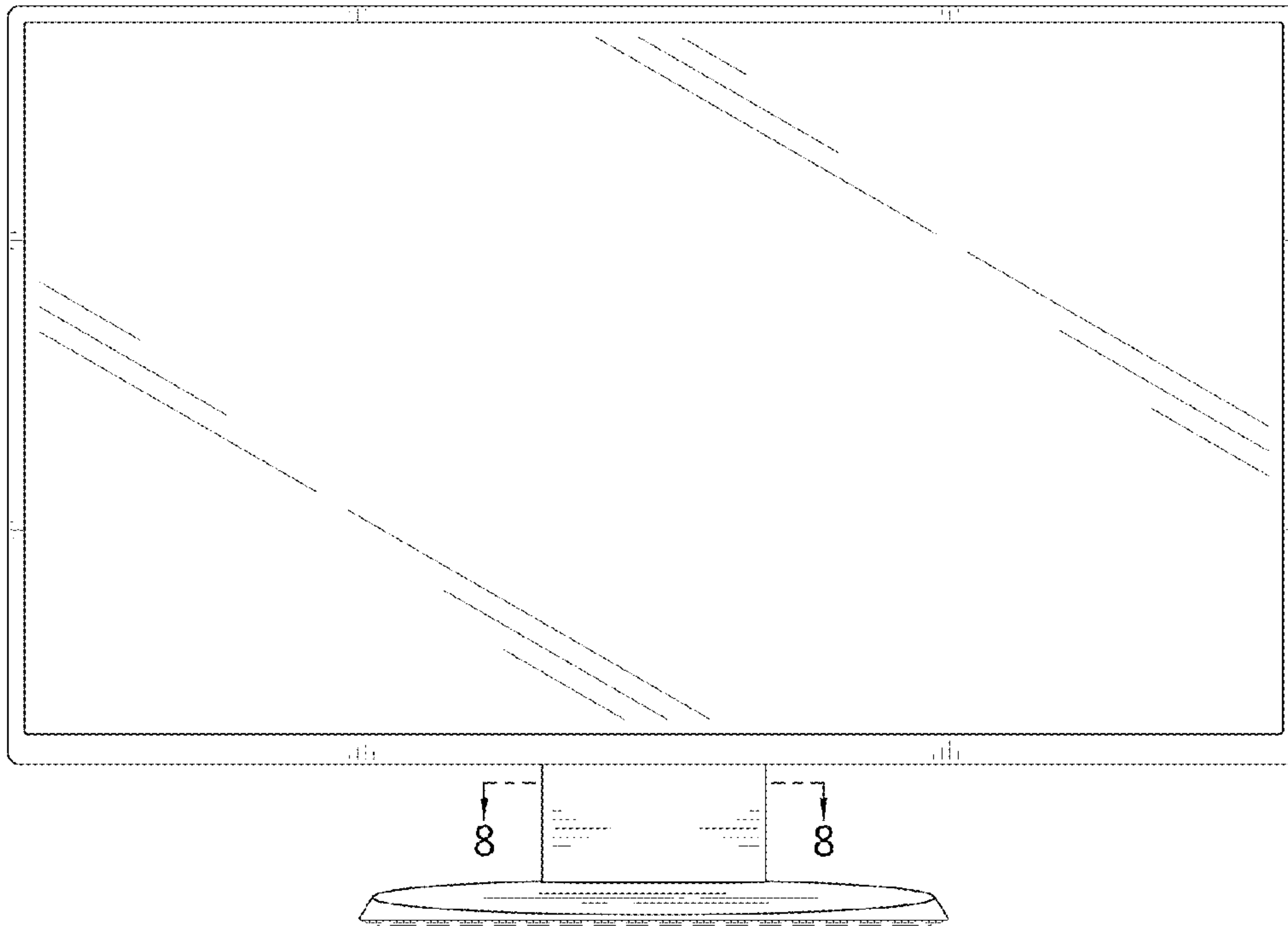


FIG. 3

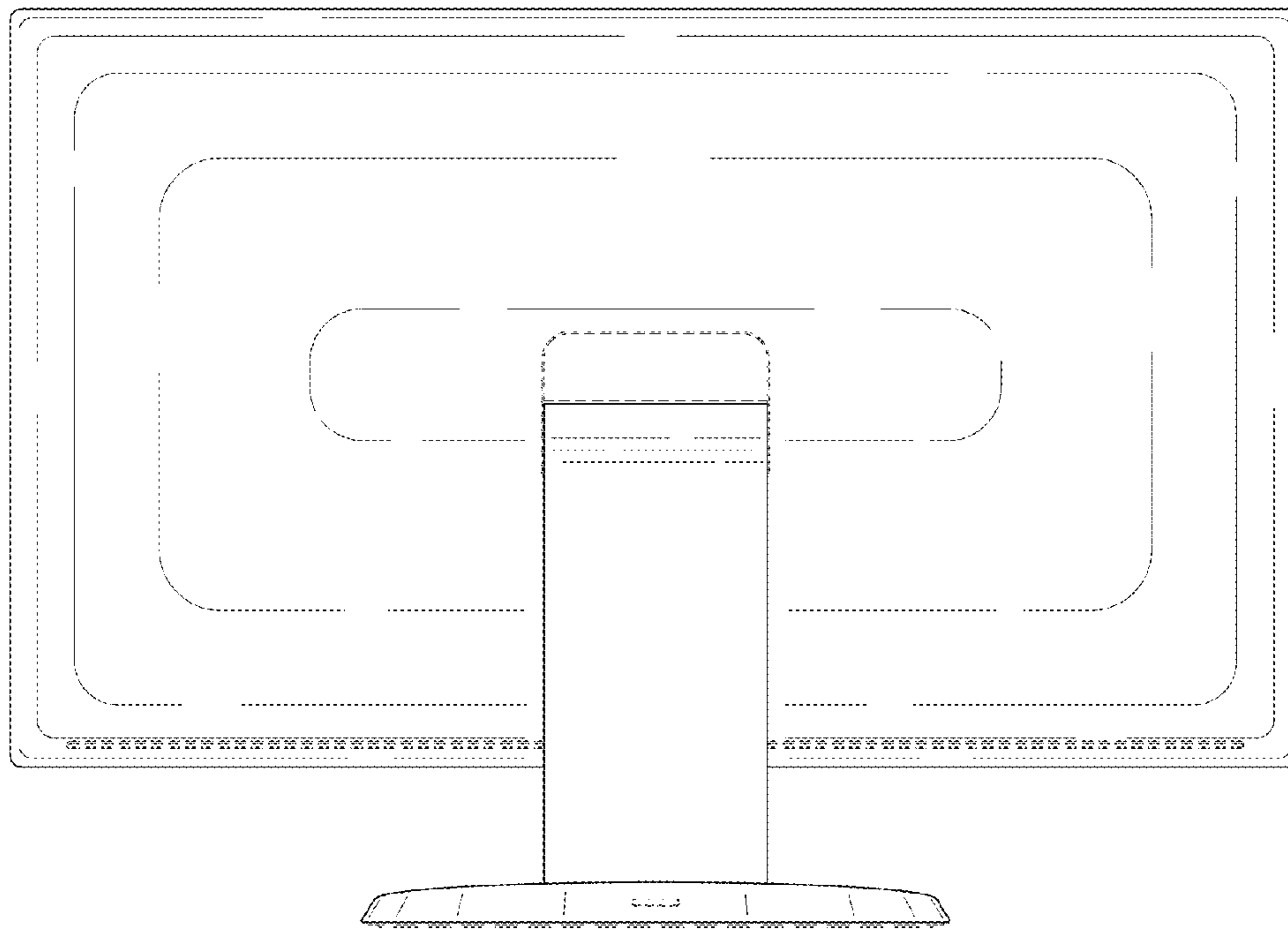


FIG. 4

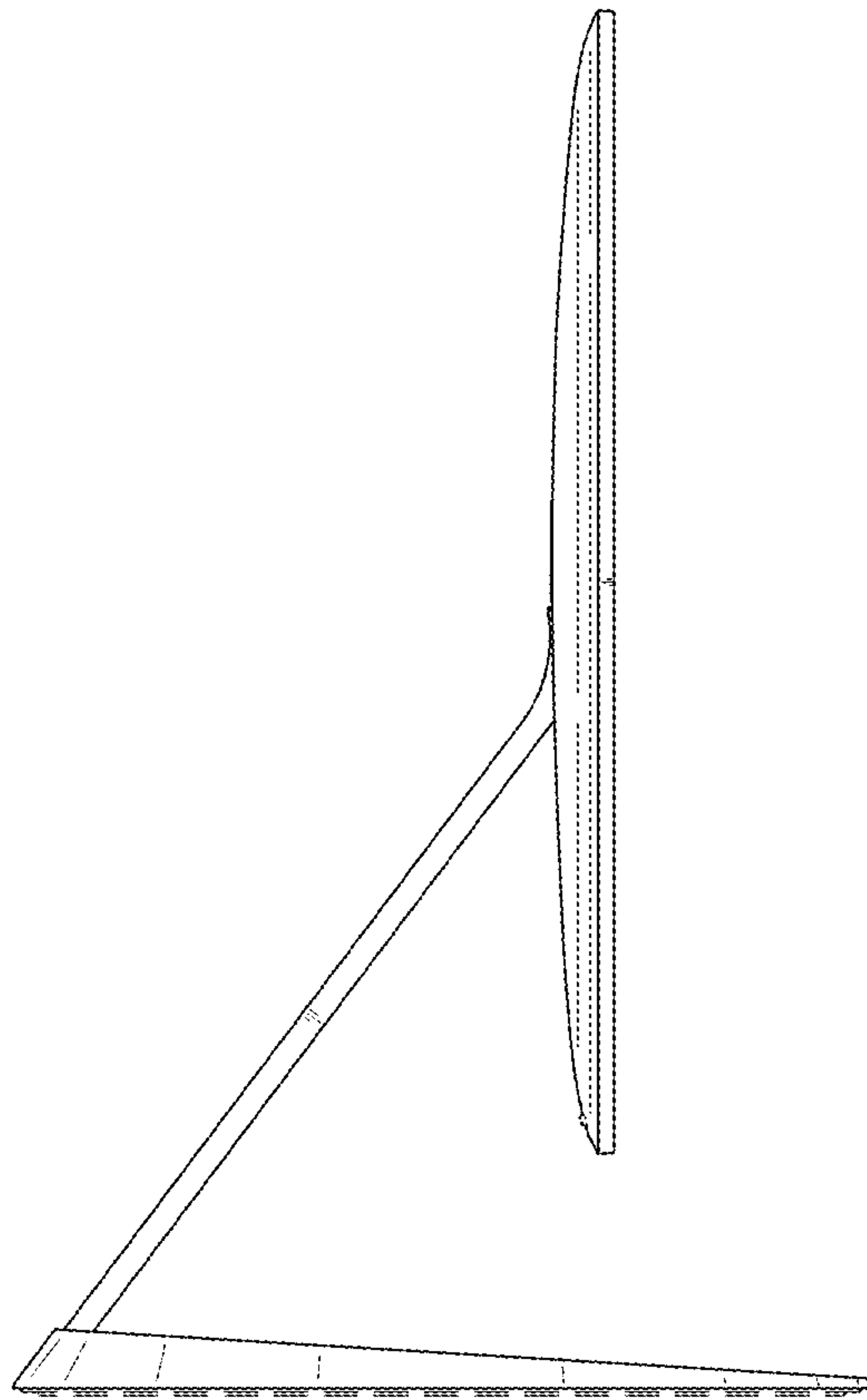


FIG. 5

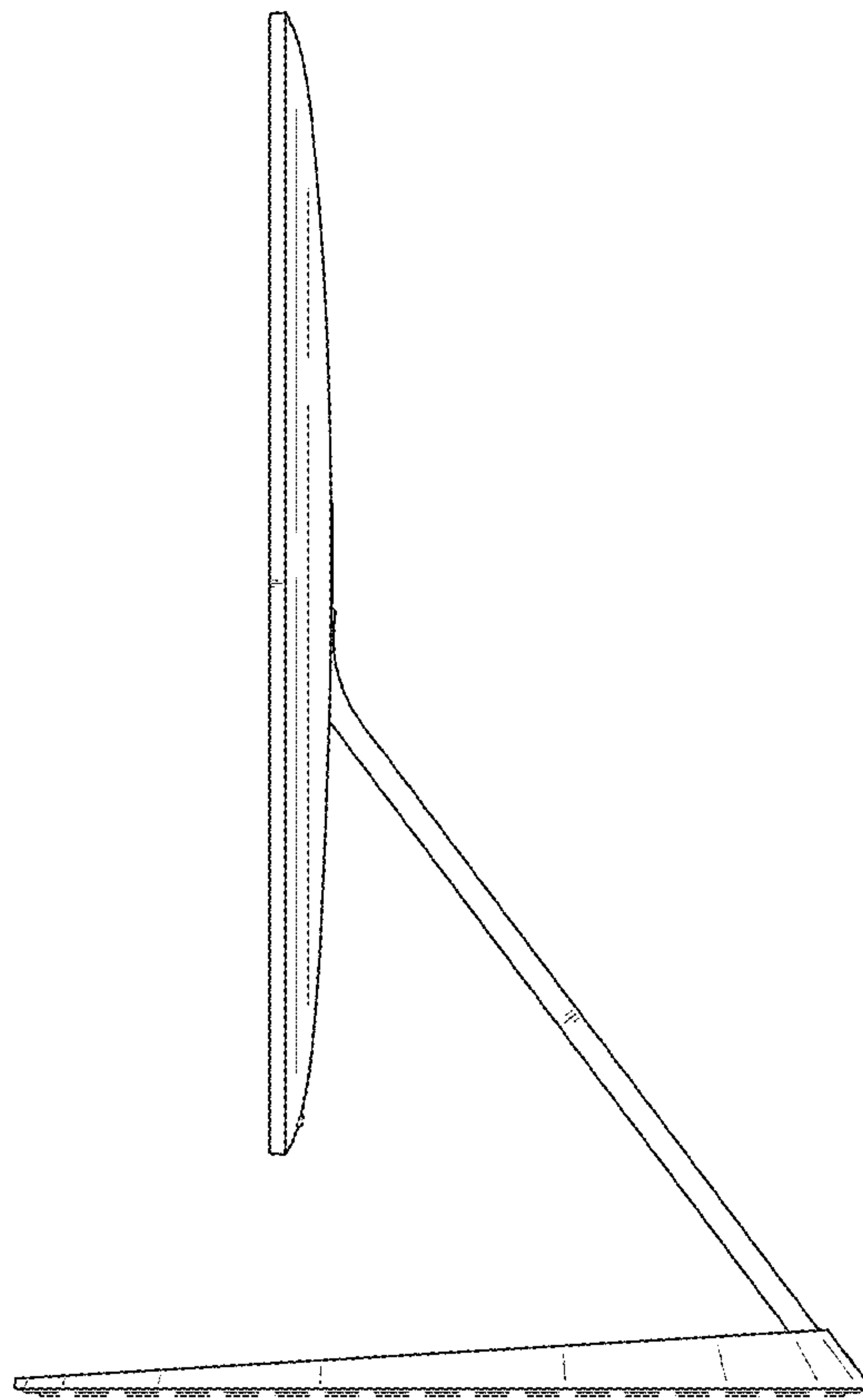


FIG. 6

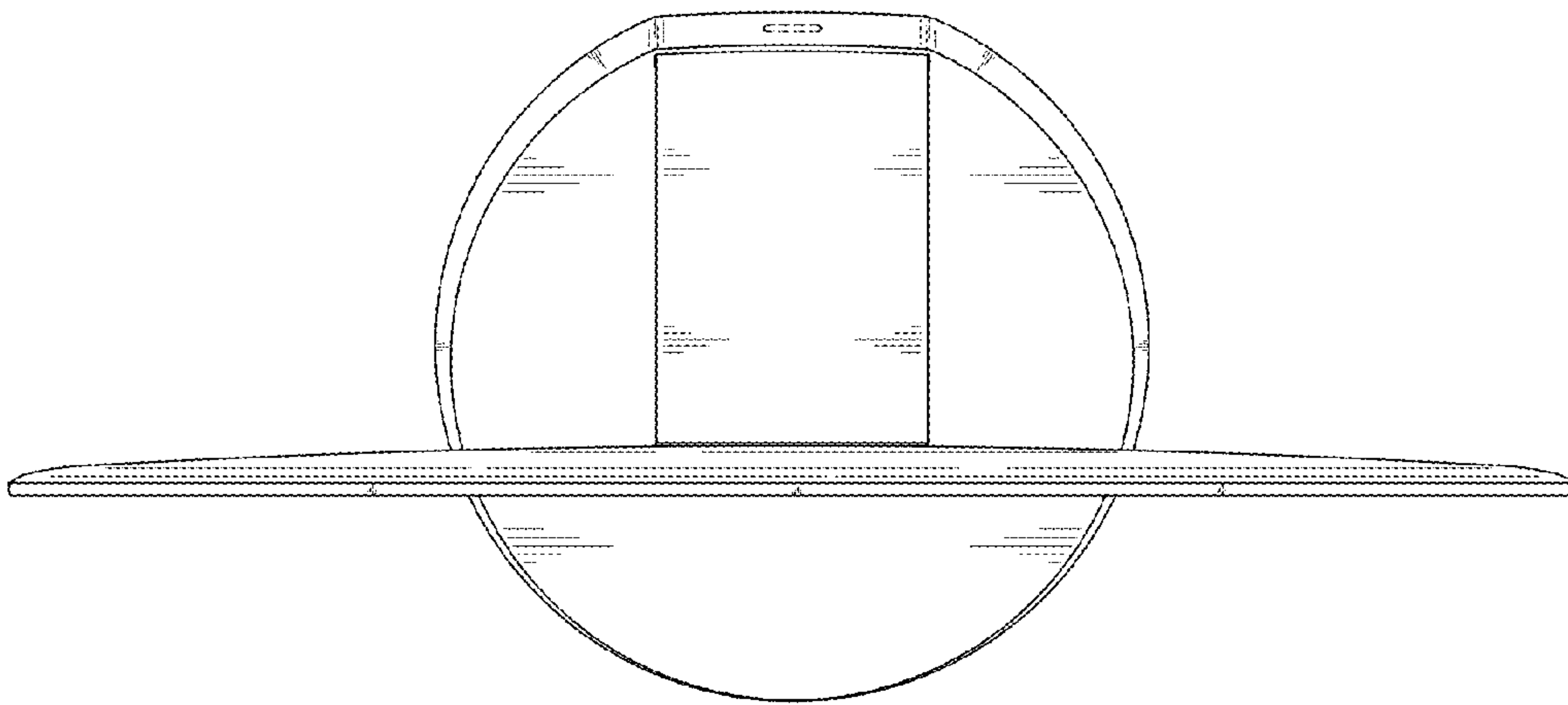


FIG. 7

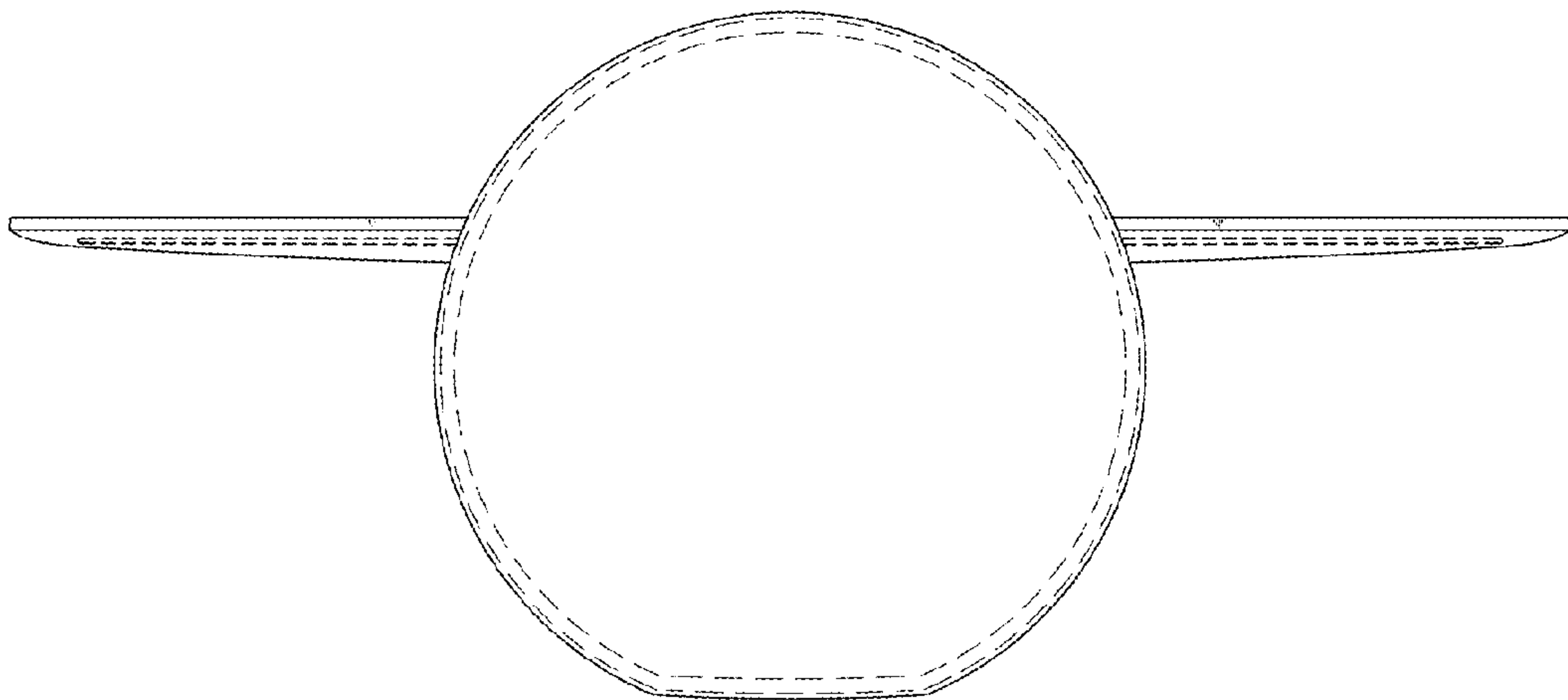


FIG. 8

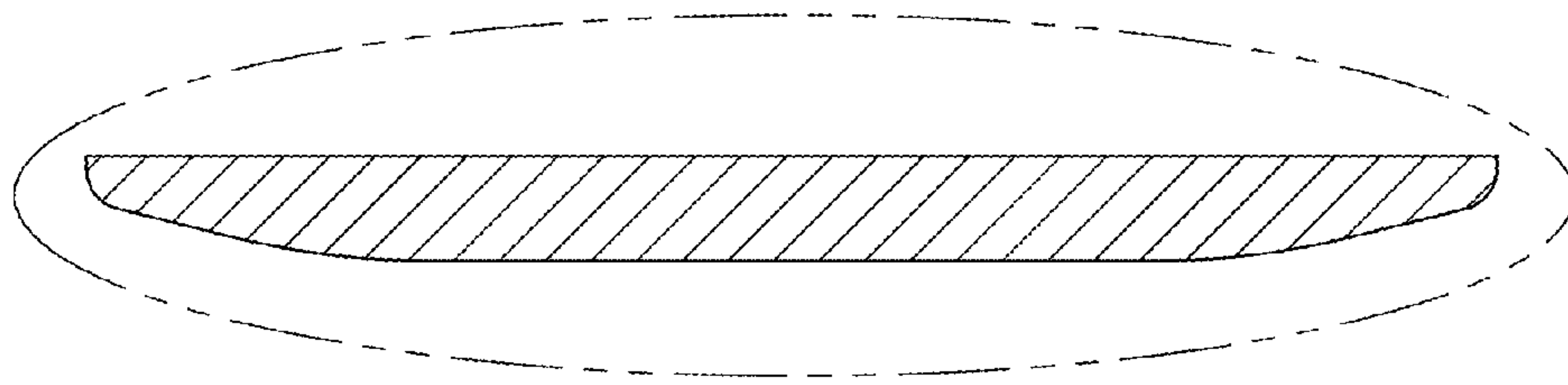


FIG. 9

