



US00D750072S

(12) **United States Design Patent**
Spencer et al.

(10) **Patent No.:** **US D750,072 S**
(45) **Date of Patent:** **** Feb. 23, 2016**

- (54) **CARRIER**
- (71) Applicant: **Hewlett-Packard Development Company, L.P.**, Houston, TX (US)
- (72) Inventors: **Stephen Spencer**, Houston, TX (US);
Keith J. Kuehn, Magnolia, TX (US);
Brooks Vaughan, Houston, TX (US)
- (73) Assignee: **Hewlett Packard Enterprise Development LP**, Houston, TX (US)
- (**) Term: **14 Years**
- (21) Appl. No.: **29/507,767**
- (22) Filed: **Oct. 30, 2014**
- (51) **LOC (10) Cl.** **14-02**
- (52) **U.S. Cl.**
USPC **D14/368**
- (58) **Field of Classification Search**
USPC D14/240, 300, 301, 308, 313, 314,
D14/348-356, 364-368, 441-446;
D13/162, 184, 199; 312/223.1-223.3,
312/351.11; 360/99.01-99.12;
369/34.01-36.01; 361/679.31-679.33,
361/679.37, 679.39, 679.46, 679.53, 679.4,
361/679.41, 727
CPC G06F 1/20; G06F 1/181; G06F 1/187;
G06F 1/183; H05K 7/16; H05K 7/20; H05K
7/1424; H05K 7/1409; G11B 33/126; G11B
33/128
See application file for complete search history.

(56) **References Cited**

U.S. PATENT DOCUMENTS

- D316,546 S * 4/1991 Pedinielli D14/242
- 5,584,396 A * 12/1996 Schmitt H05K 7/16
211/26
- 5,868,261 A * 2/1999 Collins H05K 7/1409

- 6,224,173 B1 * 5/2001 Yu A47B 87/007
206/308.1
- D483,033 S * 12/2003 McClelland, II D14/368
- D517,548 S * 3/2006 Wedding D14/368
- 7,652,879 B2 * 1/2010 Hartman G06F 1/181
211/26
- 8,240,485 B2 * 8/2012 Bushby G06F 1/183
211/26
- 2003/0016504 A1 * 1/2003 Raynham G11B 33/126
361/727
- 2009/0152216 A1 * 6/2009 Champion G06F 1/183
211/26
- 2009/0261214 A1 * 10/2009 Beauchamp G06F 1/181
248/74.1

* cited by examiner

Primary Examiner — Freda S Nunn

(74) *Attorney, Agent, or Firm* — International IP Law Group, PLLC

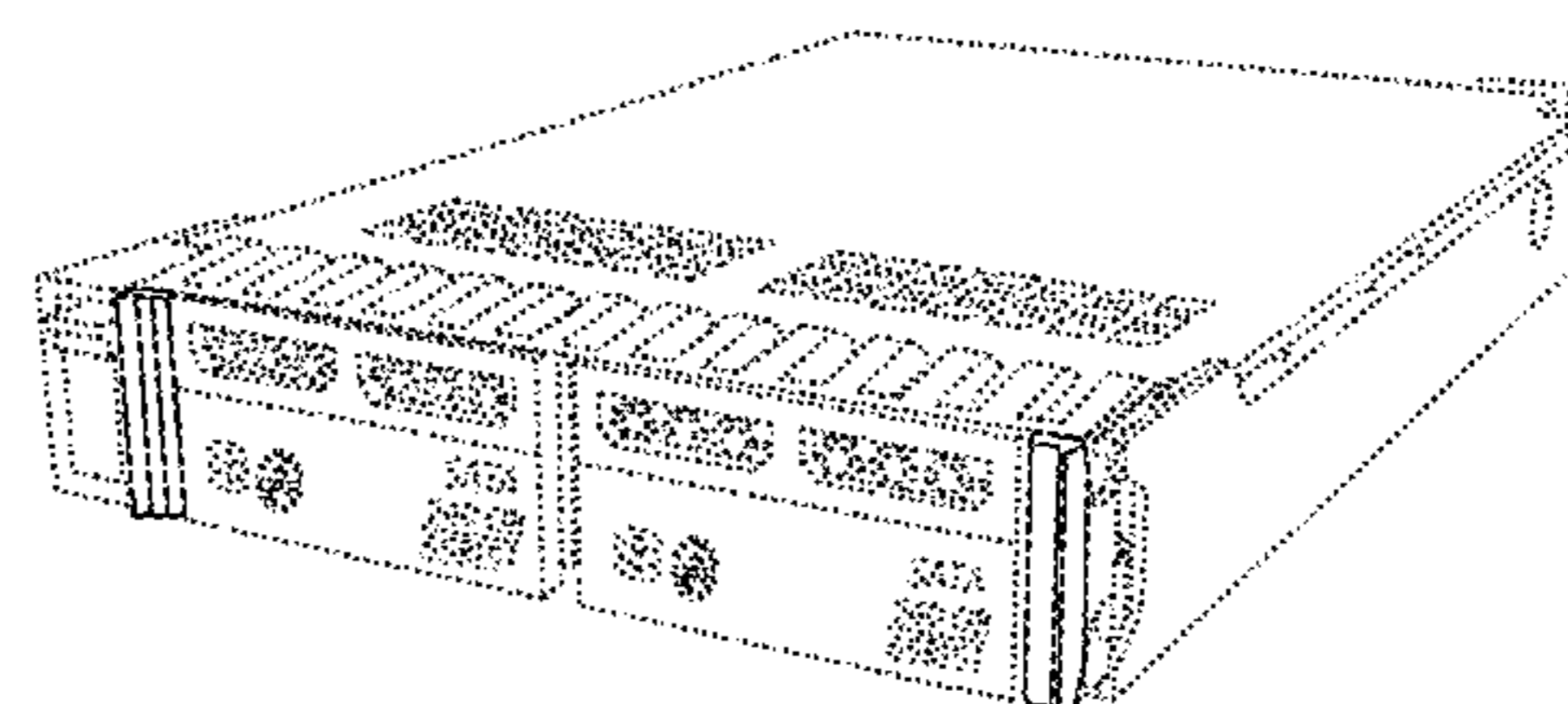
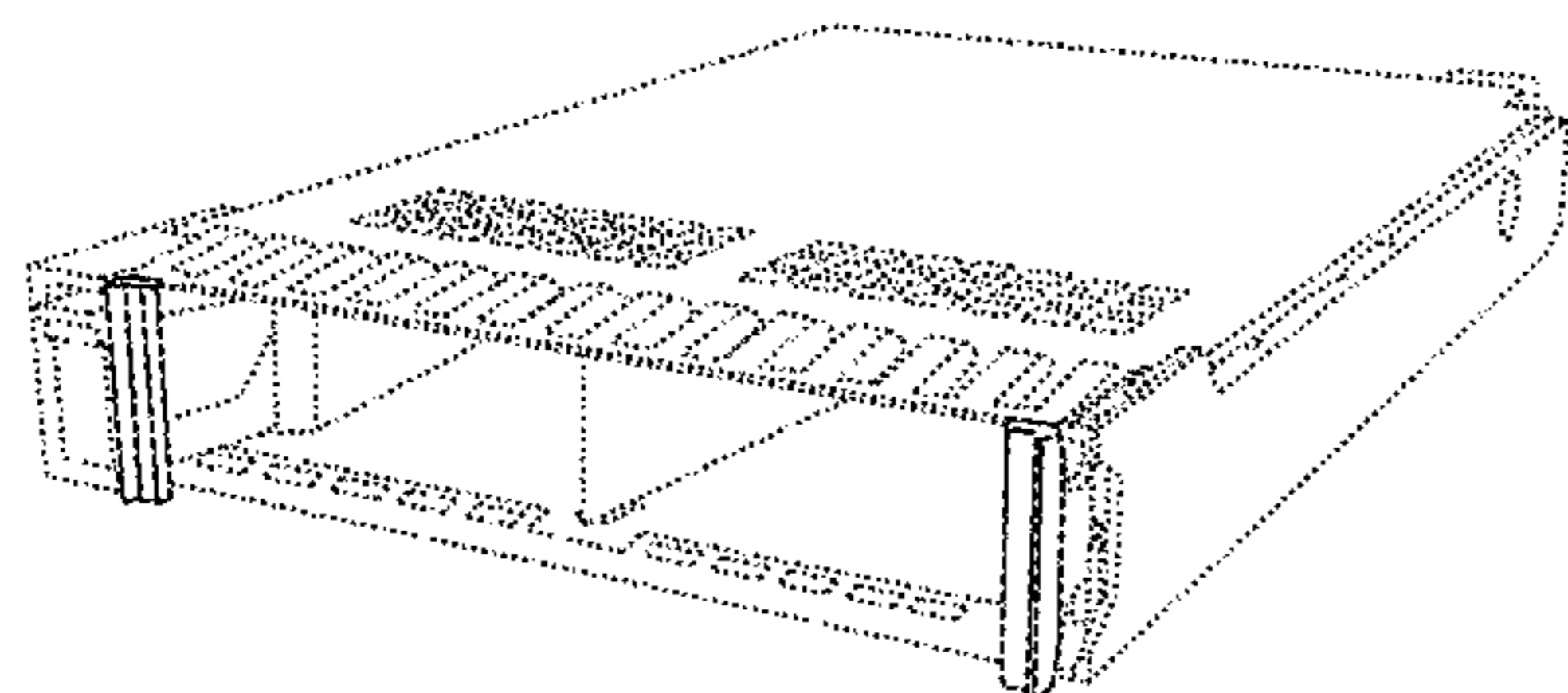
(57) **CLAIM**

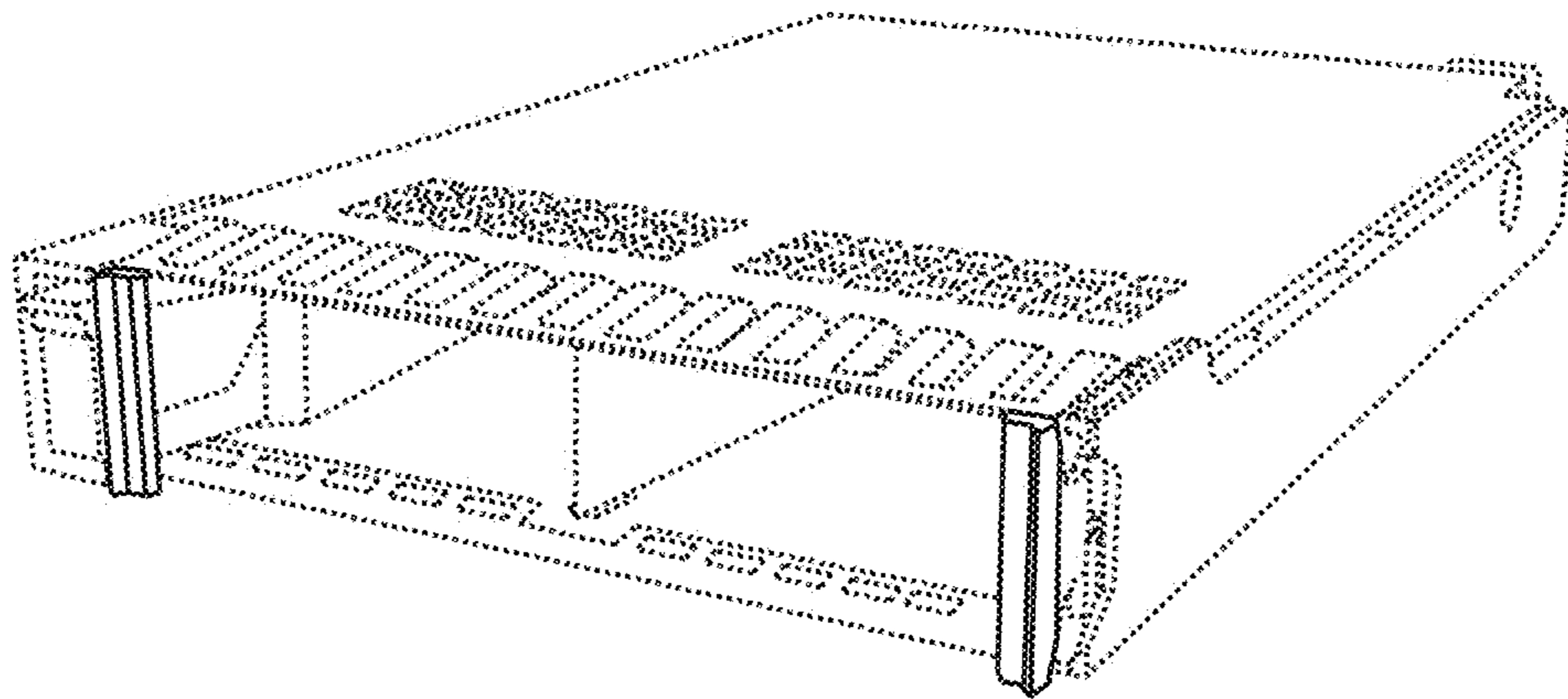
The ornamental design for a carrier, as shown and described.

DESCRIPTION

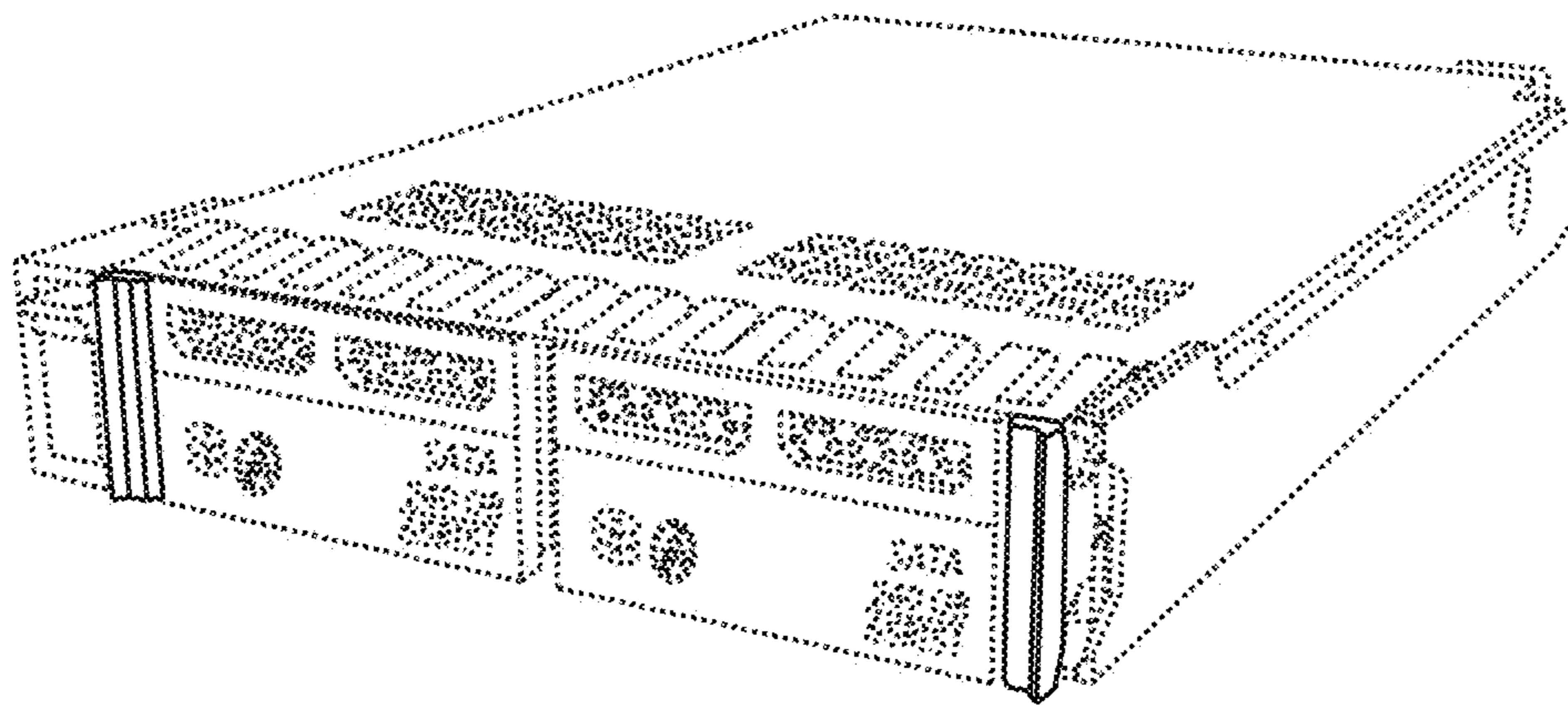
FIG. 1 is a reduced front perspective view of the carrier with no sleds installed in the carrier;
 FIG. 2 is a reduced front perspective view of the carrier with sleds installed in both bays of the carrier;
 FIG. 3 is a front view of the carrier, with sleds installed in both bays of the carrier;
 FIG. 4 is a top view of the carrier, with sleds installed in both bays of the carrier;
 FIG. 5 is a bottom view of the carrier, with sleds installed in both bays of the carrier;
 FIG. 6 is a left side view of the carrier, with sleds installed in both bays of the carrier; and,
 FIG. 7 is a right side view of the carrier, with sleds installed in both bays of the carrier.
 Broken lines shown in the drawings illustrate portions of the sled and carrier and form no part of the claimed design.

1 Claim, 7 Drawing Sheets

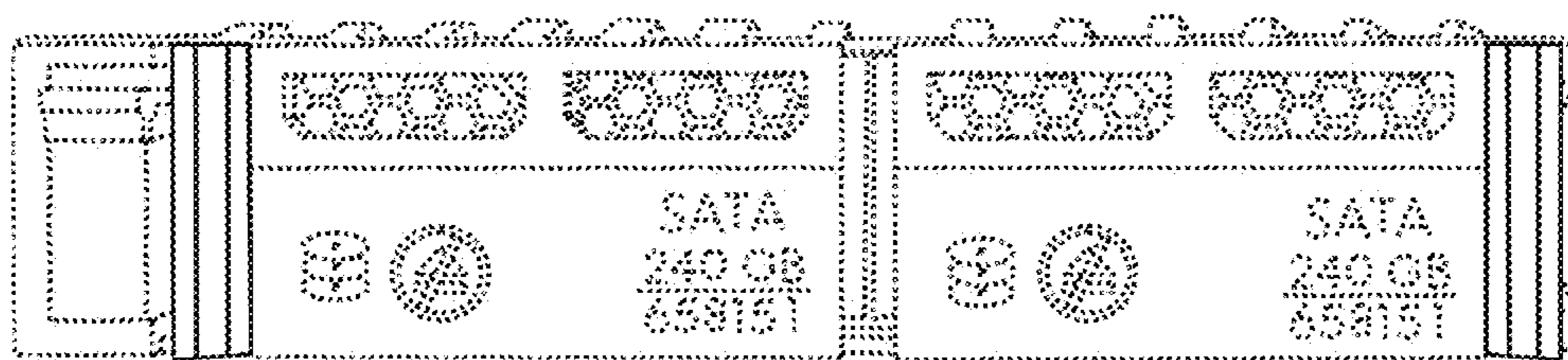




100
FIG. 1

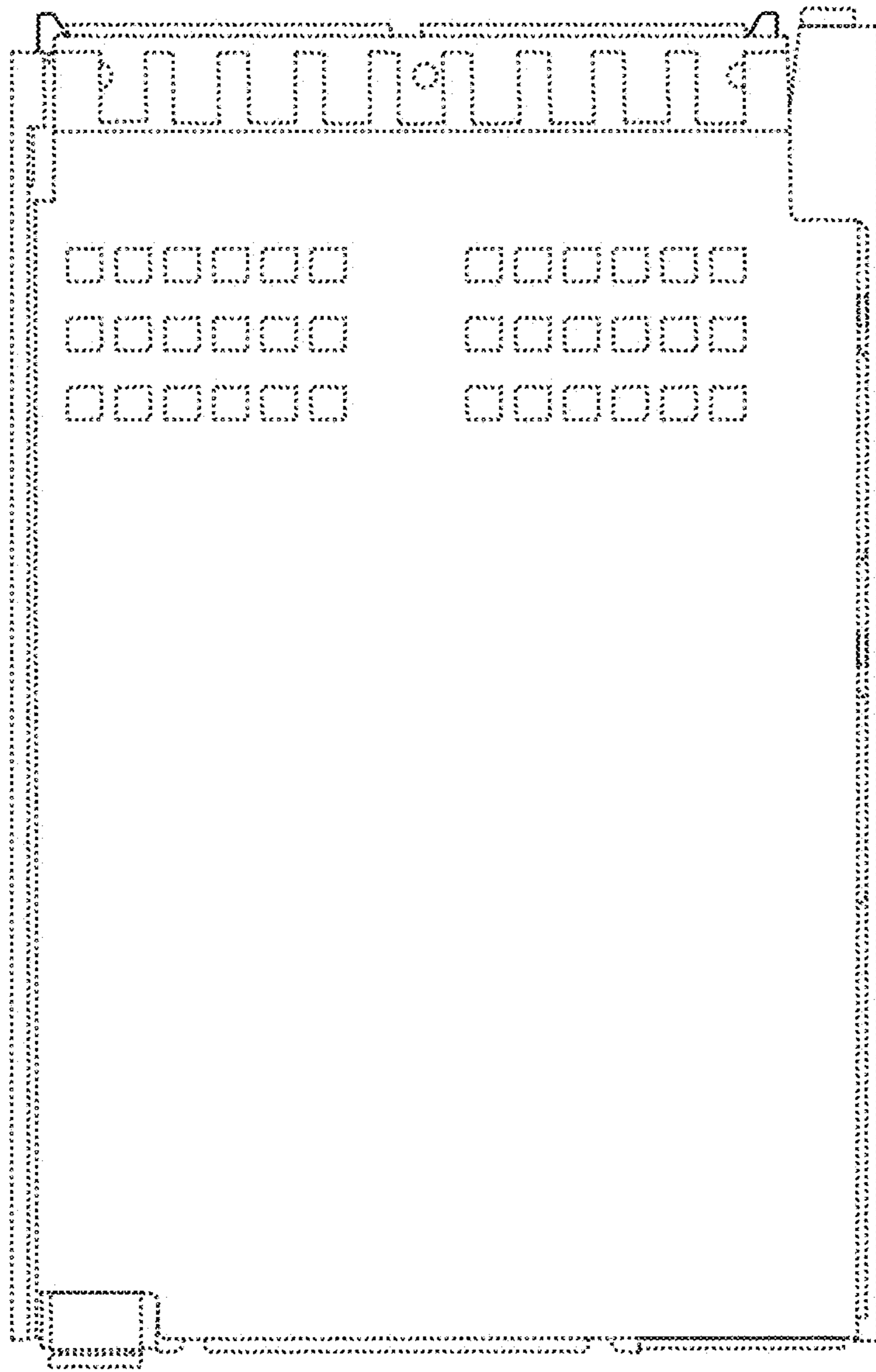


200
FIG. 2



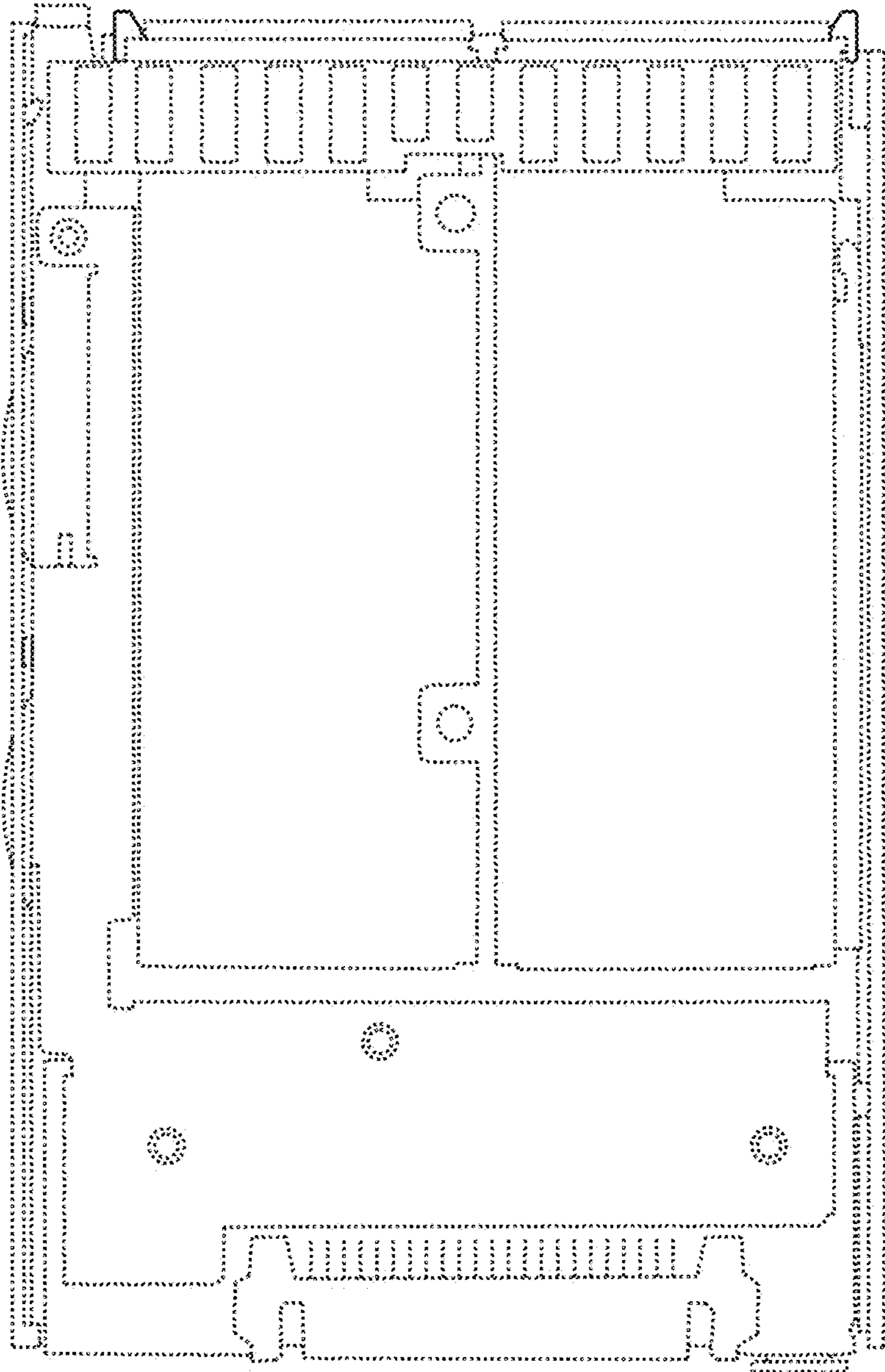
300

FIG. 3

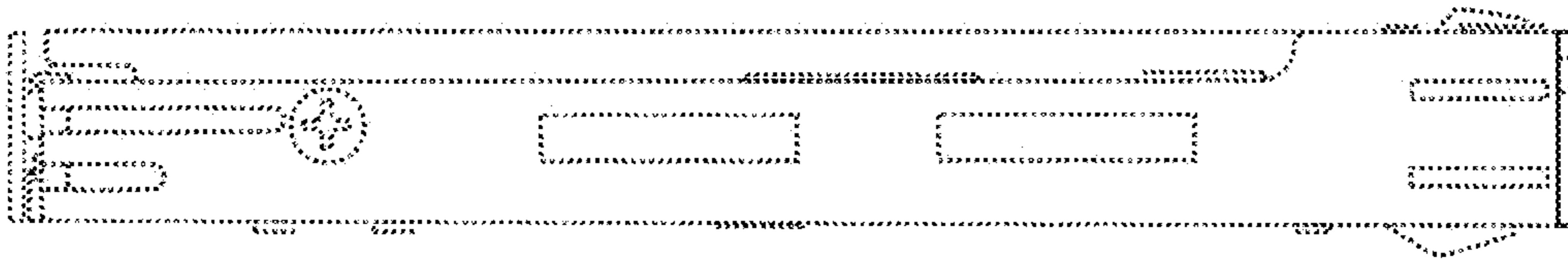


400

FIG. 4

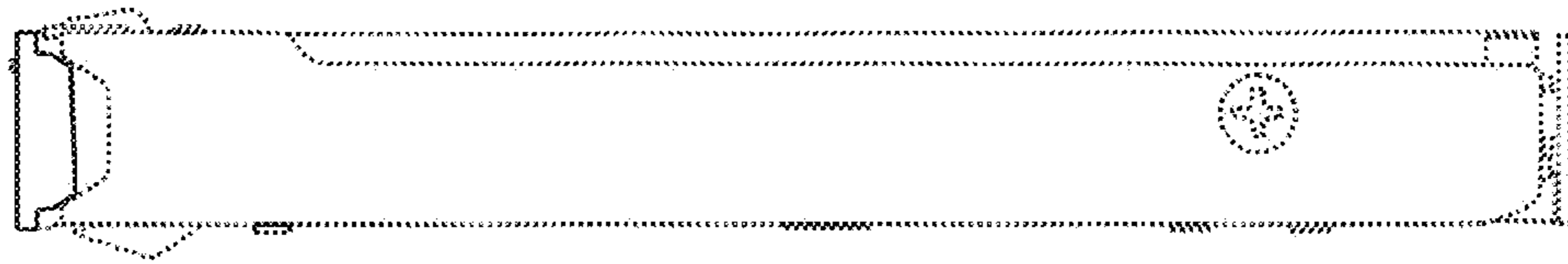


500
FIG. 5



600

FIG. 6



700
FIG. 7