



US00D750071S

(12) **United States Design Patent**
Spencer et al.

(10) **Patent No.:** **US D750,071 S**
(45) **Date of Patent:** **** Feb. 23, 2016**

- (54) **SLED FOR A CARRIER**
- (71) Applicant: **Hewlett-Packard Development Company, L.P.**, Houston, TX (US)
- (72) Inventors: **Stephen Spencer**, Houston, TX (US);
Keith J. Kuehn, Magnolia, TX (US);
Brooks Vaughan, Houston, TX (US)
- (73) Assignee: **Hewlett Packard Enterprise Development LP**, Houston, TX (US)
- (**) Term: **14 Years**
- (21) Appl. No.: **29/507,766**
- (22) Filed: **Oct. 30, 2014**
- (51) **LOC (10) Cl.** **14-02**
- (52) **U.S. Cl.**
USPC **D14/367**
- (58) **Field of Classification Search**
USPC D14/240, 300, 301, 308, 313, 314,
D14/348-356, 364-368, 441-446;
D13/162, 184, 199; 312/223.1-223.3,
312/351.11; 360/99.01-99.12;
369/34.01-36.01; 361/679.31-679.33,
361/679.37, 679.39, 679.46, 679.53, 679.4,
361/679.41, 727
CPC G06F 1/20; G06F 1/181; G06F 1/187;
G06F 1/183; H05K 7/16; H05K 7/1424;
H05K 7/1409; H05H 7/20; G11B 33/126;
G11B 33/128
See application file for complete search history.

				206/308.1
D483,033	S *	12/2003	McClelland, II D14/368
D517,548	S *	3/2006	Wedding D14/368
7,652,879	B2 *	1/2010	Hartman G06F 1/181
				211/26
8,240,485	B2 *	8/2012	Bushby G06F 1/183
				211/26
2003/0016504	A1 *	1/2003	Raynham G11B 33/126
				361/727
2009/0152216	A1 *	6/2009	Champion G06F 1/183
				211/26
2009/0261214	A1 *	10/2009	Beauchamp G06F 1/181
				248/74.1

* cited by examiner

Primary Examiner — Freda S Nunn

(74) *Attorney, Agent, or Firm* — International IP Law Group, PLLC

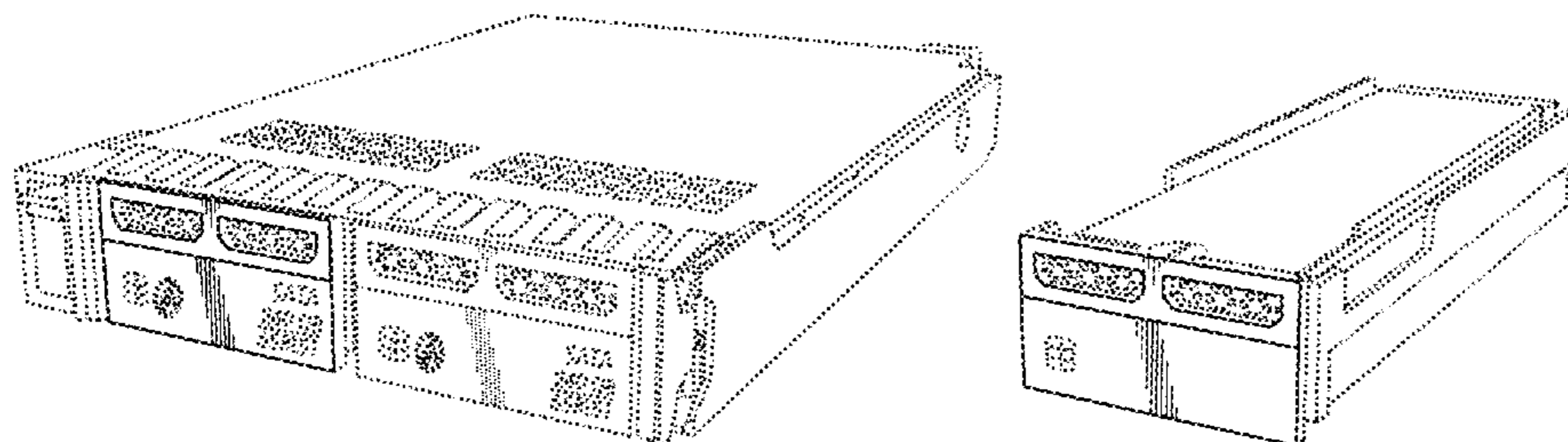
(57) **CLAIM**

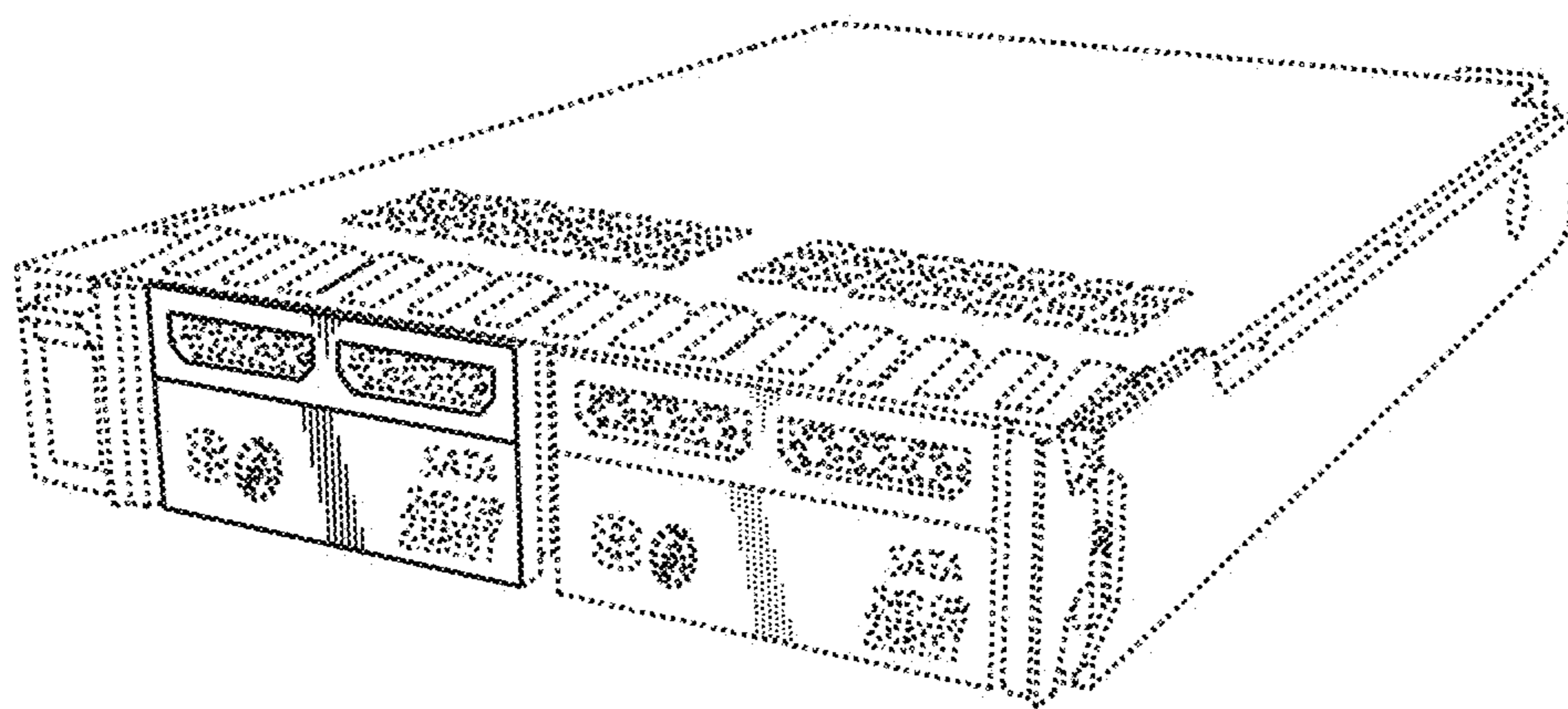
The ornamental design for a sled for a carrier, as shown and described.

DESCRIPTION

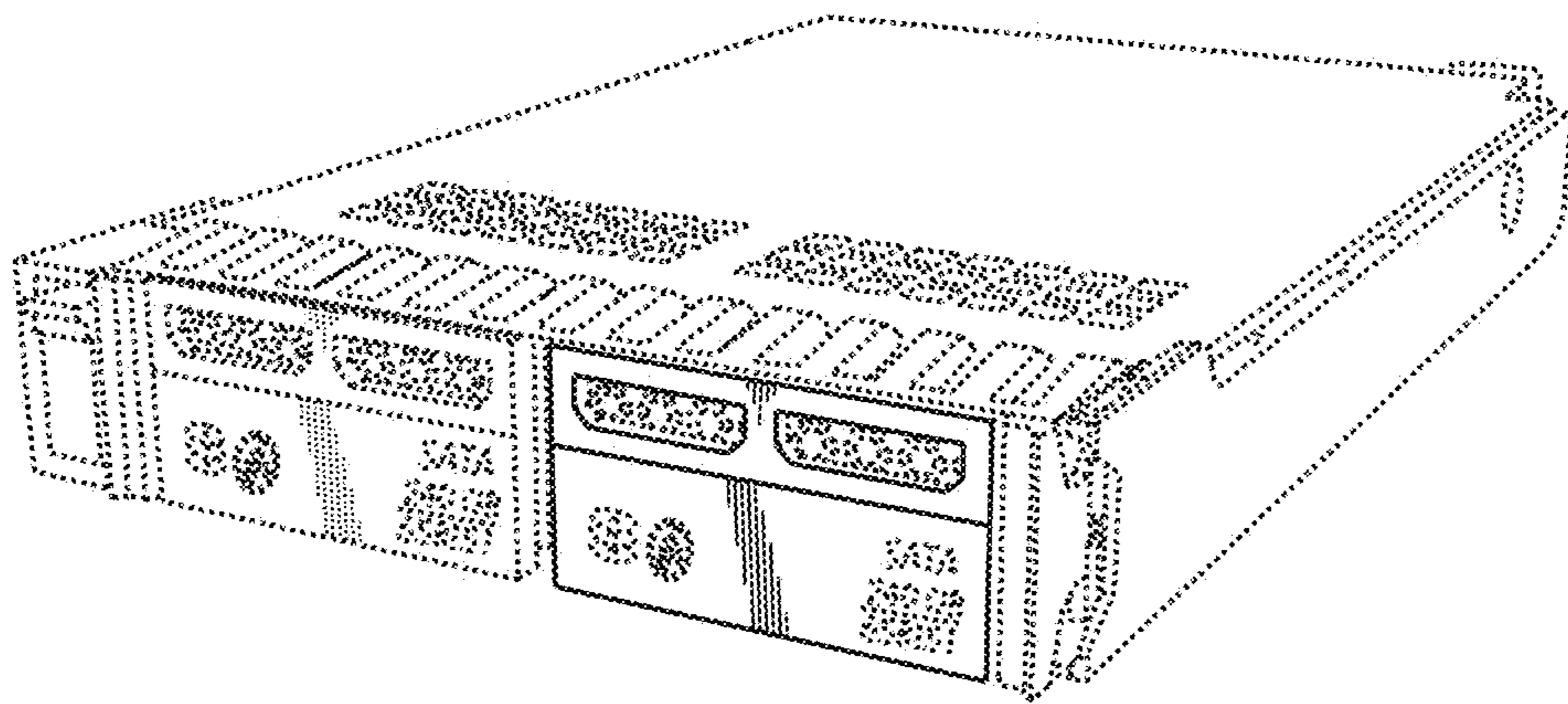
FIG. 1 is a reduced front perspective view of the sled for a carrier installed in a left bay of a carrier;
 FIG. 2 is a reduced front perspective view of the sled for a carrier installed in the right bay of a carrier;
 FIG. 3 is a reduced front perspective view of the sled for a carrier;
 FIG. 4 is a front view of the sled for a carrier, installed in a left bay of a carrier;
 FIG. 5 is a front view of the sled for a carrier, installed in a right bay of a carrier;
 FIG. 6 is a front view of the sled for a carrier;
 FIG. 7 is a bottom view of the sled for a carrier;
 FIG. 8 is a top view of the sled for a carrier;
 FIG. 9 is a left side view of the sled for a carrier; and,
 FIG. 10 is a right side view of the sled for a carrier.
 Broken lines shown in the drawings illustrate portions of the sled and carrier and form no part of the claimed design.

1 Claim, 10 Drawing Sheets



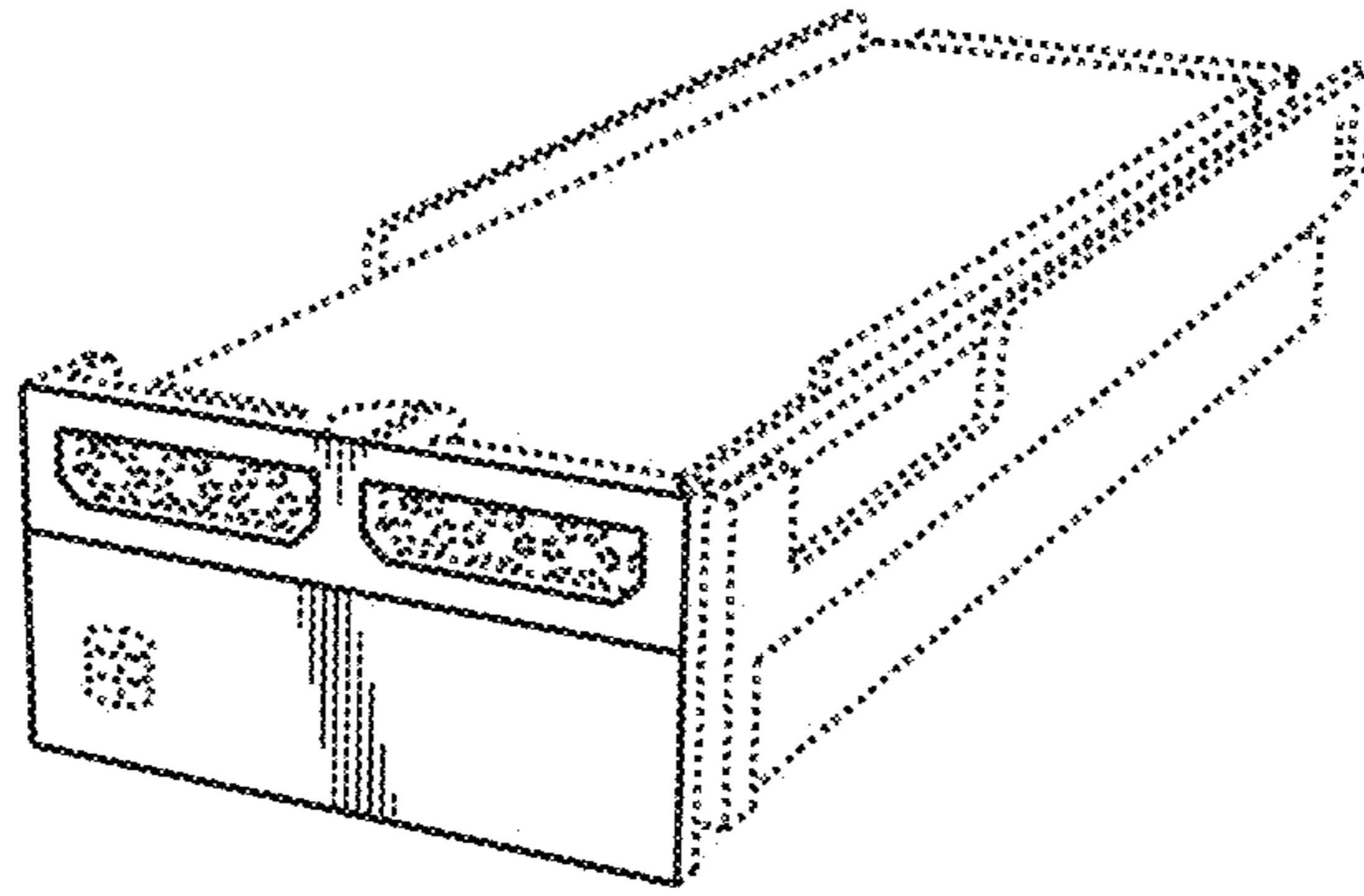


100
FIG. 1



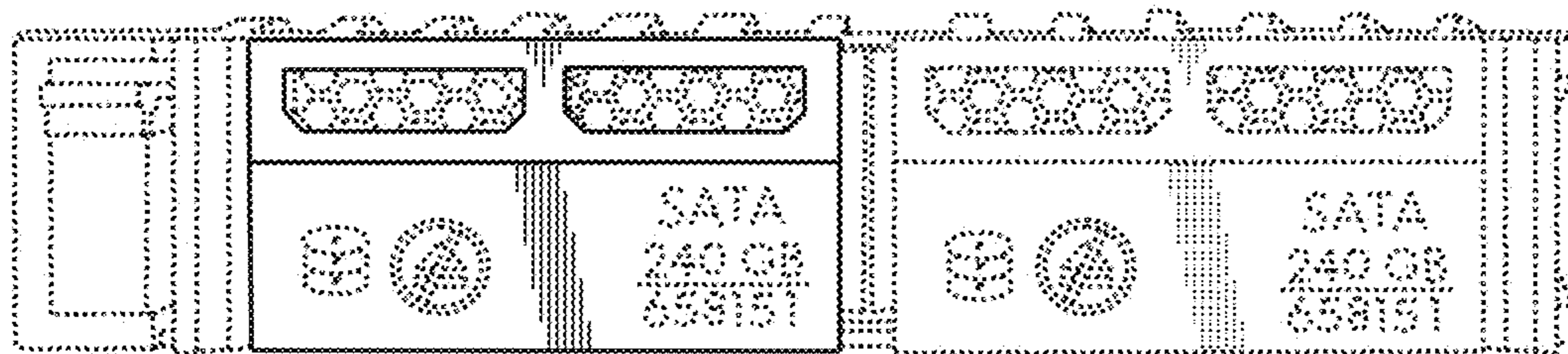
200

FIG. 2



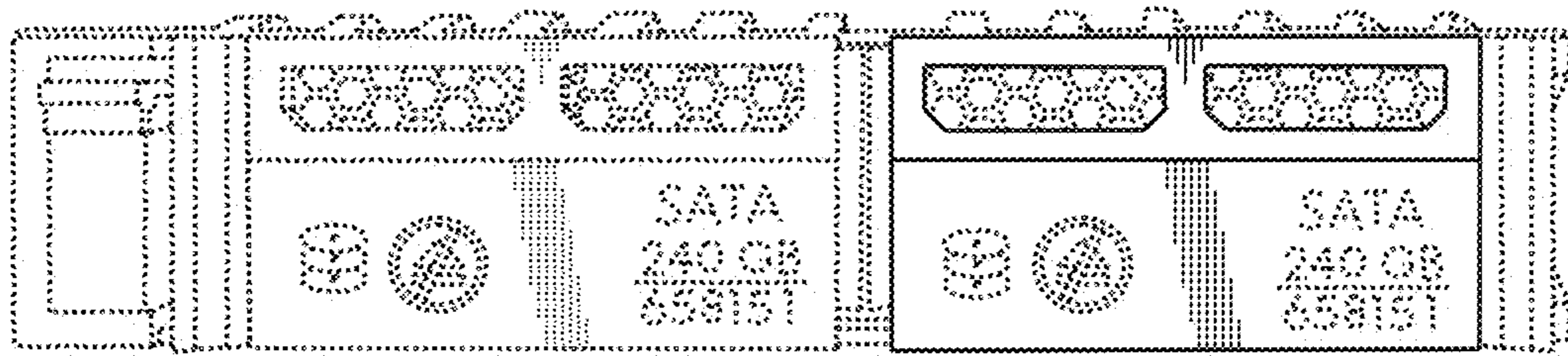
300

FIG. 3



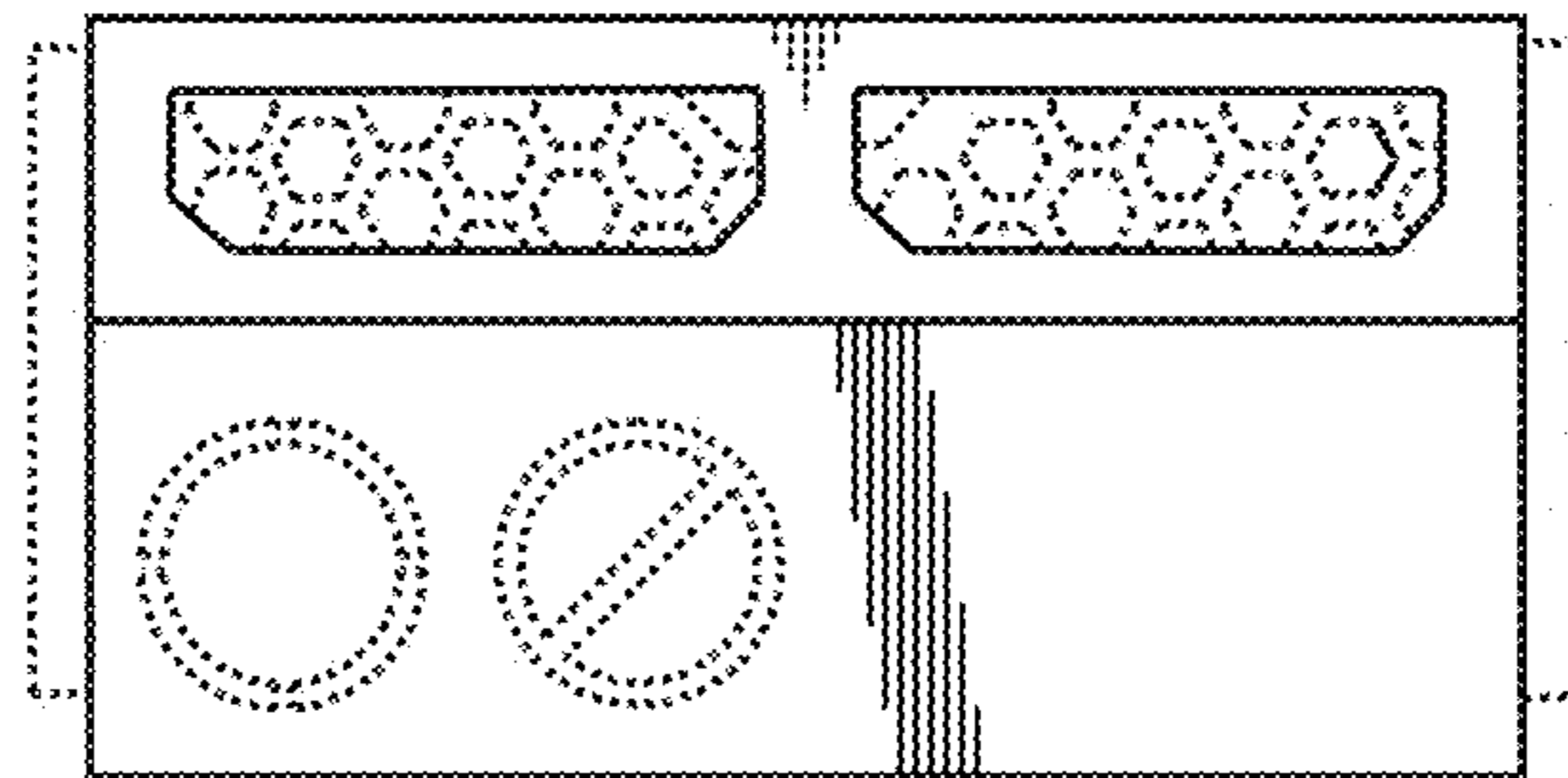
400

FIG. 4



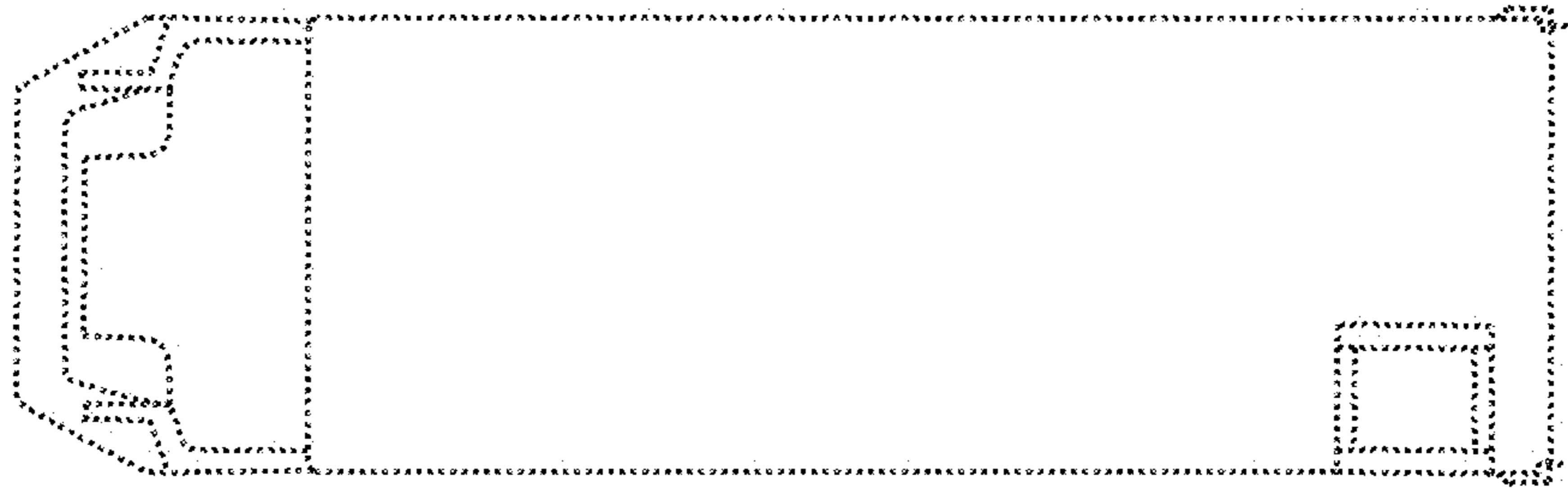
500

FIG. 5



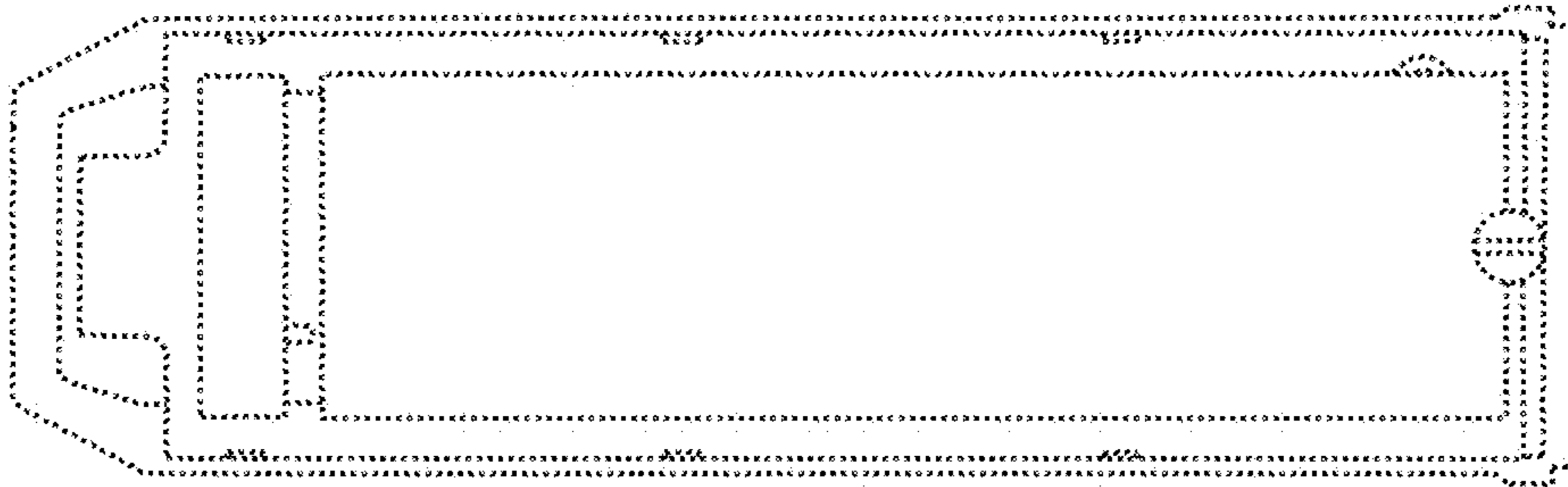
600

FIG. 6



700

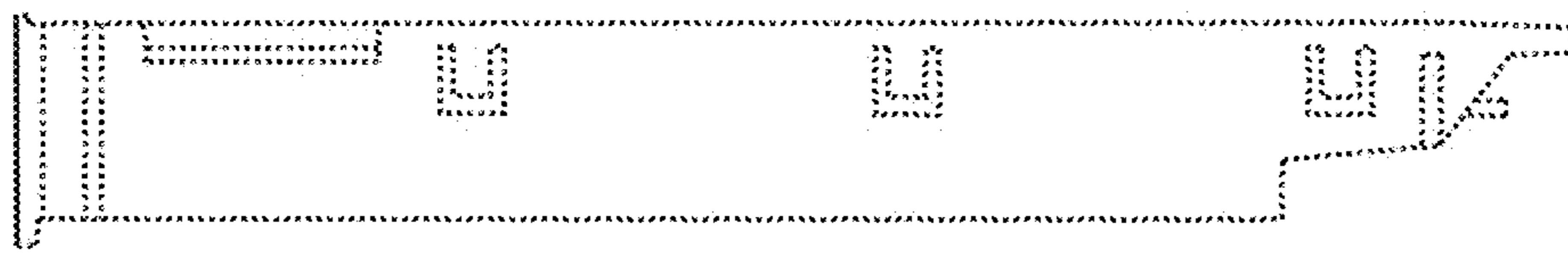
FIG. 7



800
FIG. 8



900
FIG. 9



1000

FIG. 10