



US00D750068S

(12) **United States Design Patent**
Aumiller et al.

(10) **Patent No.:** **US D750,068 S**
(45) **Date of Patent:** **** Feb. 23, 2016**

(54) **ELECTRONIC DEVICE**

(71) Applicant: **SAMSUNG ELECTRONICS CO., LTD.**, Suwon-si (KR)

(72) Inventors: **Curtis Aumiller**, San Jose, CA (US);
Pranav Mistry, Cupertino, CA (US);
Chengyuan Wei, Dalian (CN)

(73) Assignee: **SAMSUNG ELECTRONICS CO., LTD.**, Suwon-si (KR)

(**) Term: **14 Years**

(21) Appl. No.: **29/453,893**

(22) Filed: **May 3, 2013**

Related U.S. Application Data

(63) Continuation of application No. 29/449,802, filed on Mar. 15, 2013.

(51) **LOC (10) Cl.** **14-02**

(52) **U.S. Cl.**
USPC **D14/344**; D10/38

(58) **Field of Classification Search**
USPC D14/341-347, 420, 426, 427;
D10/30-32, 37-39, 65; 368/281-282,
368/294-296; 455/100; 361/679.03;
379/433.1; D11/3

See application file for complete search history.

(56) **References Cited**

U.S. PATENT DOCUMENTS

3,062,369	A *	11/1962	Guy et al.	206/525
3,477,285	A *	11/1969	Bird et al.	73/767
D224,913	S *	10/1972	Maroni	D10/32
3,915,534	A *	10/1975	Yonkers	439/95
D249,874	S *	10/1978	Lawrence	D10/38
D282,914	S	3/1986	Maron	
D284,949	S	8/1986	Kong	
4,636,047	A *	1/1987	Green	359/879
D297,121	S	8/1988	Porsche et al.	
D302,664	S	8/1989	Dawson, Jr.	

4,906,207	A *	3/1990	Banning et al.	439/578
D335,263	S *	5/1993	Willis	D11/3
D351,558	S	10/1994	Moon	
5,361,169	A *	11/1994	Deal	359/838
D356,960	S	4/1995	Courteault	
D362,396	S *	9/1995	Chester	D10/32

(Continued)

OTHER PUBLICATIONS

Pebble smartwatch, posted Jan. 25, 2013 [online], [retrieved Aug. 22, 2013]. Retrieved from Internet, <http://www.engadget.com/2013/01/25/pebble-smartwatch-review/>.*

(Continued)

Primary Examiner — Barbara Fox

(74) *Attorney, Agent, or Firm* — Sughrue Mion, PLLC

(57) **CLAIM**

The ornamental design for an electronic device, as shown and described.

DESCRIPTION

FIG. 1 is a top front perspective view of an electronic device showing our new design;

FIG. 2 is a front elevational view thereof;

FIG. 3 is a rear elevational view thereof;

FIG. 4 is a left side elevational view thereof;

FIG. 5 is a right side elevational view thereof;

FIG. 6 is a top plan view thereof;

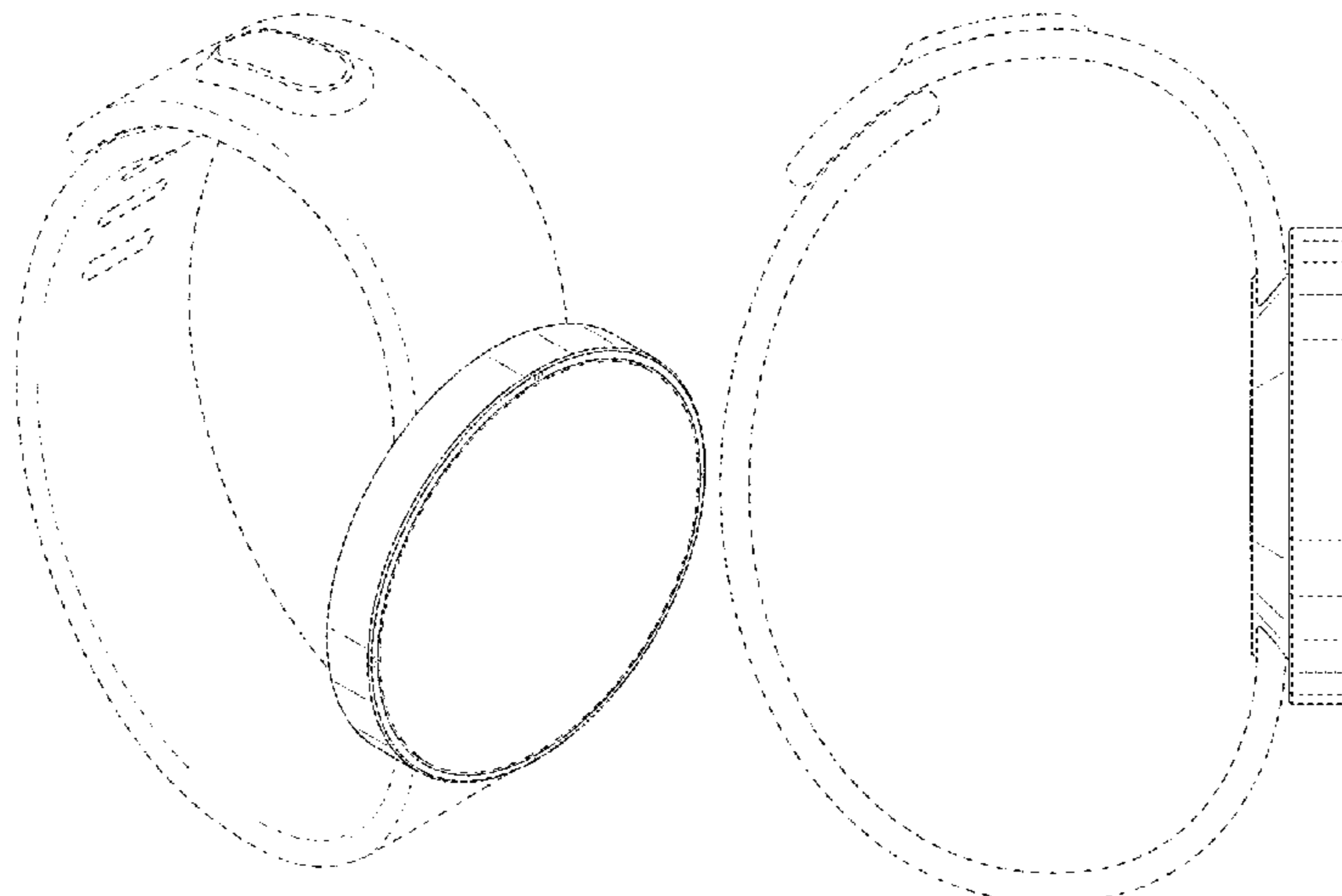
FIG. 7 is a bottom plan view thereof;

FIG. 8 is an additional top front perspective view thereof with the electronic device shown at a different direction from that of FIG. 1; and,

FIG. 9 is an additional top front perspective view thereof with the electronic device shown at a different direction from that of FIG. 1 in a case where a terminal portion of the band is partially truncated.

The broken lines shown in the drawings represent portions of the electronic device which form no part of the claimed design.

1 Claim, 4 Drawing Sheets



(56)

References Cited

U.S. PATENT DOCUMENTS

D372,878	S *	8/1996	Finnegan	D11/3
D386,696	S *	11/1997	Walch	D10/34
5,915,580	A *	6/1999	Melk	215/386
D416,814	S *	11/1999	Welsh	D10/31
D433,949	S	11/2000	Helleu		
D455,356	S *	4/2002	Saffer	D10/32
D519,858	S *	5/2006	Migliorati	D10/39
D537,371	S *	2/2007	Belamich	D10/39
D543,122	S *	5/2007	Lafever et al.	D10/32
D545,697	S *	7/2007	Martin	D10/38
D564,367	S *	3/2008	Molyneux	D10/31
D574,262	S *	8/2008	Martinez et al.	D10/32
D590,277	S *	4/2009	Wei	D10/38
D590,727	S *	4/2009	Wei	D10/38
D596,509	S *	7/2009	Kume et al.	D10/38
D604,643	S *	11/2009	Ahlstrom	D10/31
D610,472	S *	2/2010	Nashimoto	D10/32
D612,269	S *	3/2010	Leung	D10/32
D635,472	S *	4/2011	Dalla Libera et al.	D10/32
D640,576	S *	6/2011	Nashimoto	D10/38
D640,936	S *	7/2011	Teixeira	D10/32
D640,948	S *	7/2011	Quigley	D11/3
D661,206	S *	6/2012	Register et al.	D10/38
D669,371	S *	10/2012	Rasumowsky	D10/38
8,313,353	B2 *	11/2012	Purdy et al.	439/792
D687,736	S *	8/2013	Wycoff	D11/3
8,506,158	B2 *	8/2013	Keung et al.	368/282

OTHER PUBLICATIONS

Zypad WL 1000, posted Jun. 29, 2007 [online], [retrieved Aug. 22, 2013]. Retrieved from Internet, <http://www.pocket-lint.com/news/81360-zypad-wl1000-futuristic-wearable-computer>.*

iWatch Concept, posted Feb. 21, 2013 [online], [retrieved Aug. 21, 2013]. Retrieved from Internet, <http://appleinsider.com>.*

Samsungpatent for a wrist watch computing device, posted Aug. 14, 2013 [online], [retrieved Aug. 21, 2013]. Retrieved from Internet, <http://appleinsider.com>.*

Microsoft "Smartwatch", posted Apr. 17, 2013 [online], [retrieved Aug. 22, 2013]. Retrieved from Internet, <http://kotaku.com/report-xbox-staff-working-on-microsoft-smartwatch-475322574>.*

Smartwatches, posted Mar. 25, 2013 [online], [retrieved Aug. 22, 2013]. Retrieved from Internet, <http://www.trustedreviews.com/opinions/smart-watches-fad-or-the-future>.*

Microsoft smartwatch, posted Apr. 15, 2013 [online], [retrieved Aug. 22, 2013]. Retrieved from Internet, <http://www.digitaltrends.com>.*

Samsung SPH-WP10, posted Mar. 21, 2013 [online], [retrieved Aug. 21, 2013]. Retrieved from Internet, <http://appleinsider.com>.*

Sony SmartWatch, posted Mar. 19, 2012 [online], [retrieved Aug. 22, 2013]. Retrieved from Internet, <http://www.theverge.com/2012/3/19/2876341/sony-smartwatch-review>.*

Microsof SPTO Watch Smartwatch, posted Mar. 11, 2013 [online], [retrieved Aug. 22, 2013]. Retrieved from Internet, <http://www.smartwatchnews.org/2004-microsoft-spot-watch-smartwatch/>.*

I'm Watch, posted Jan. 10, 2012 [online], [retrieved Aug. 22, 2013]. Retrieved from Internet, <http://www.theverge.com>.*

* cited by examiner

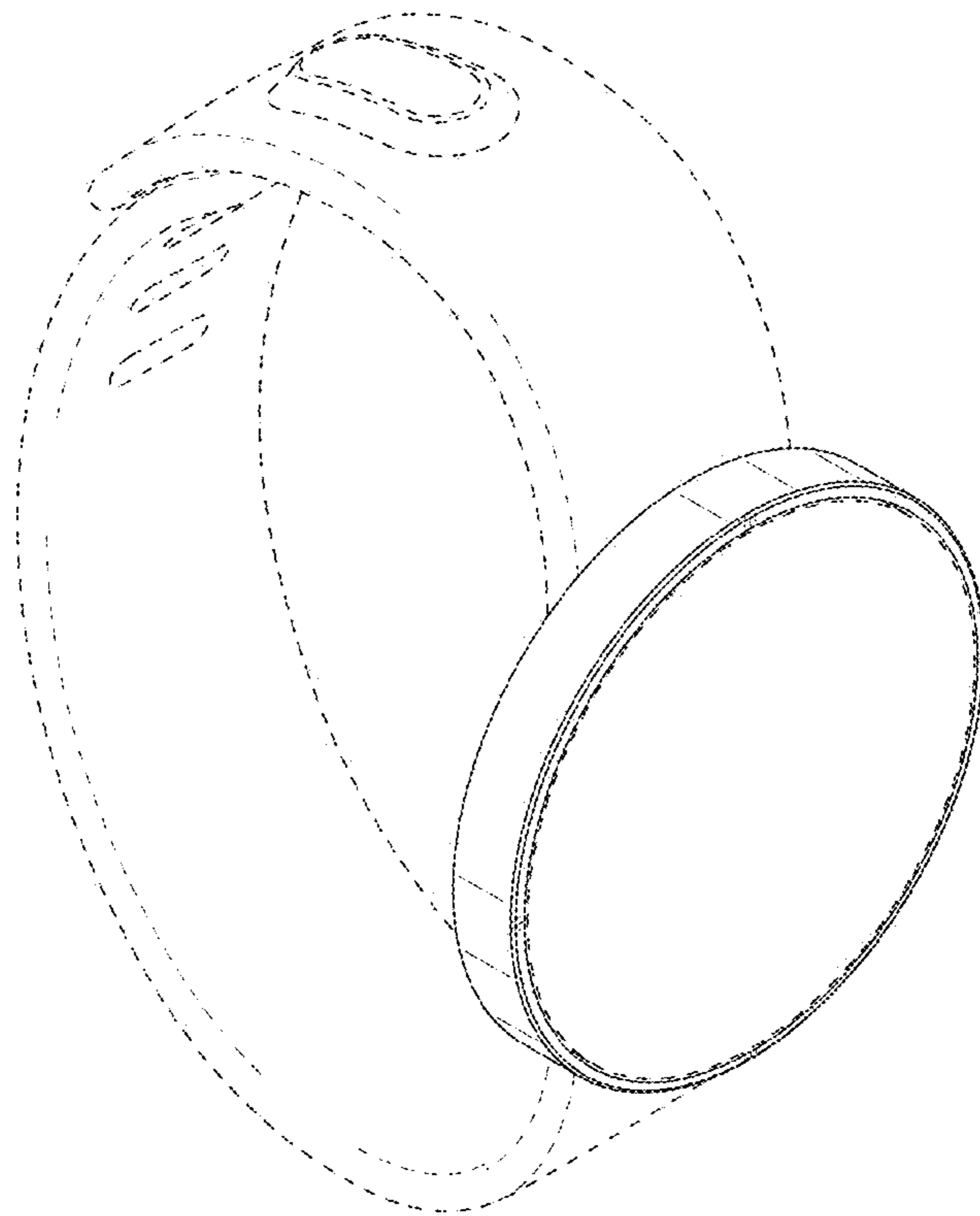


FIG. 1

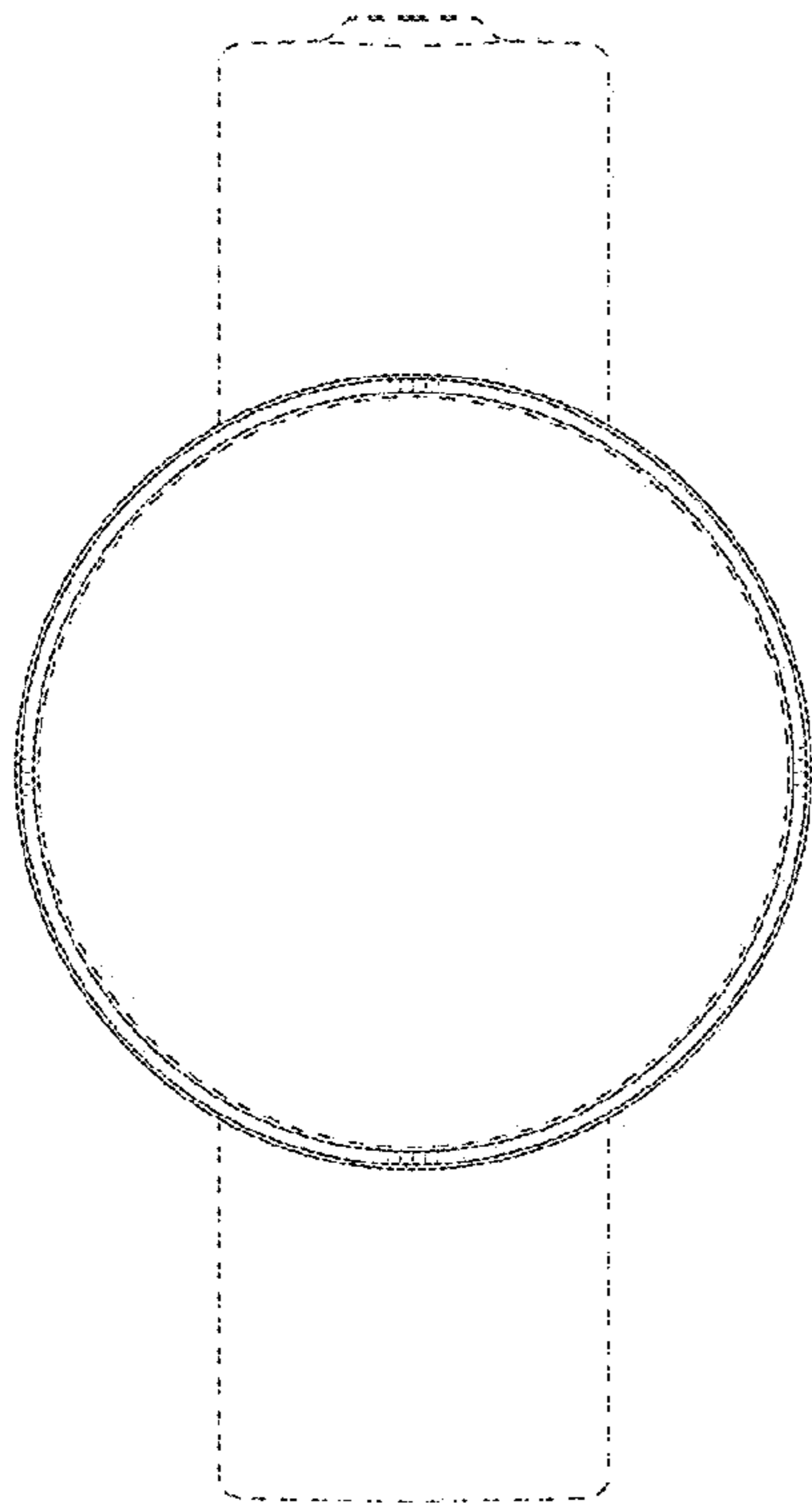


FIG. 2

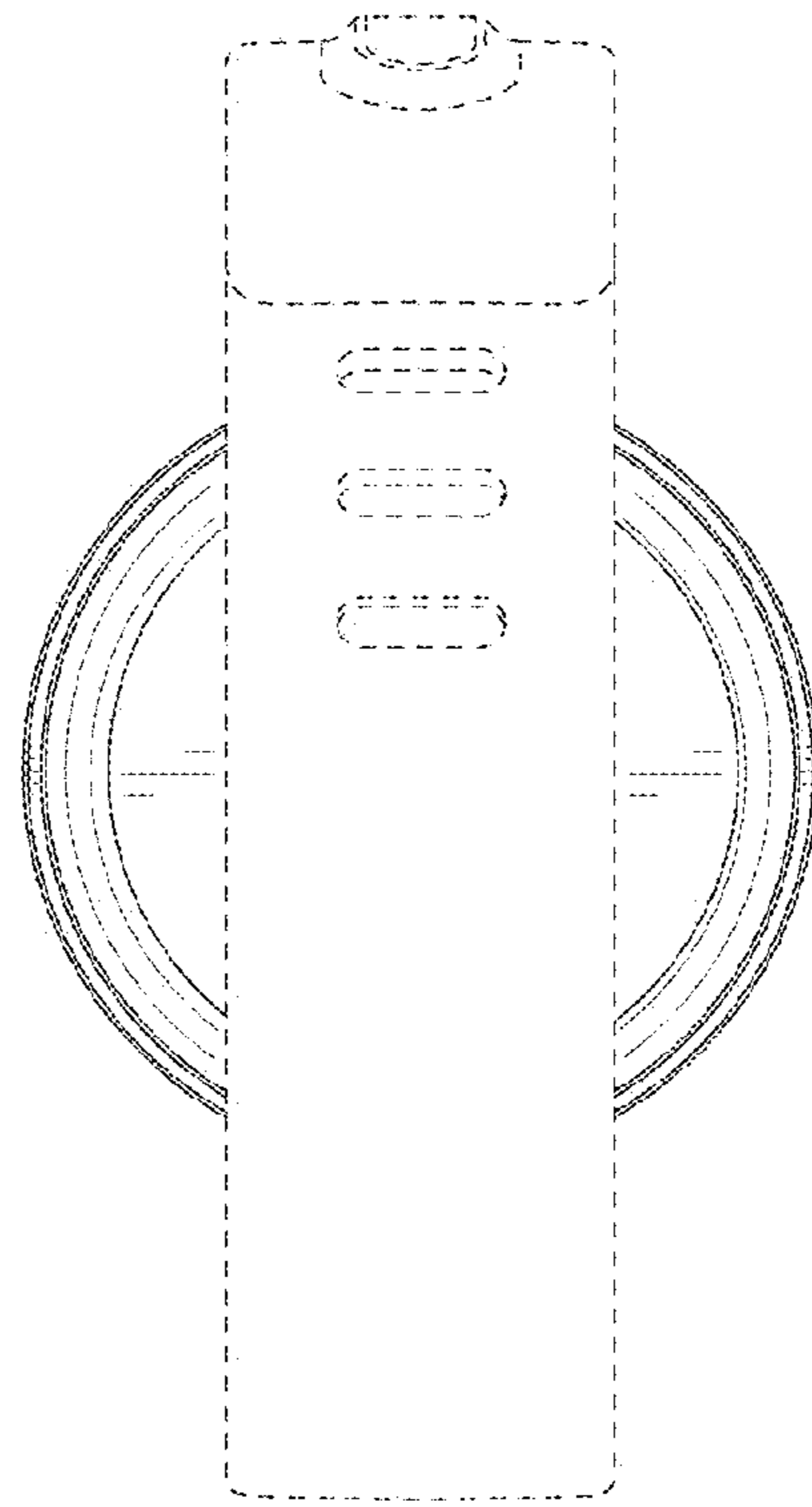


FIG. 3

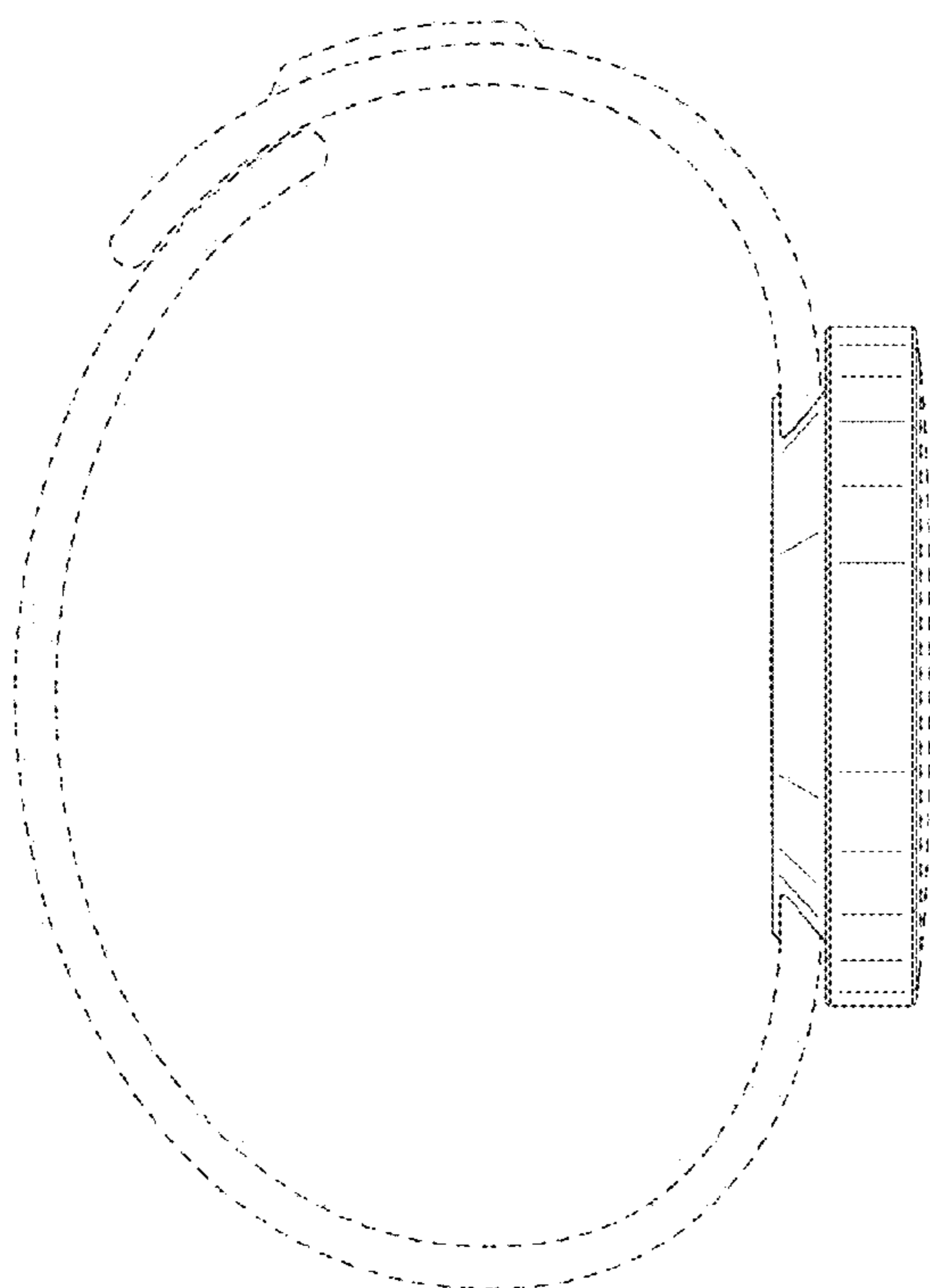


FIG. 4

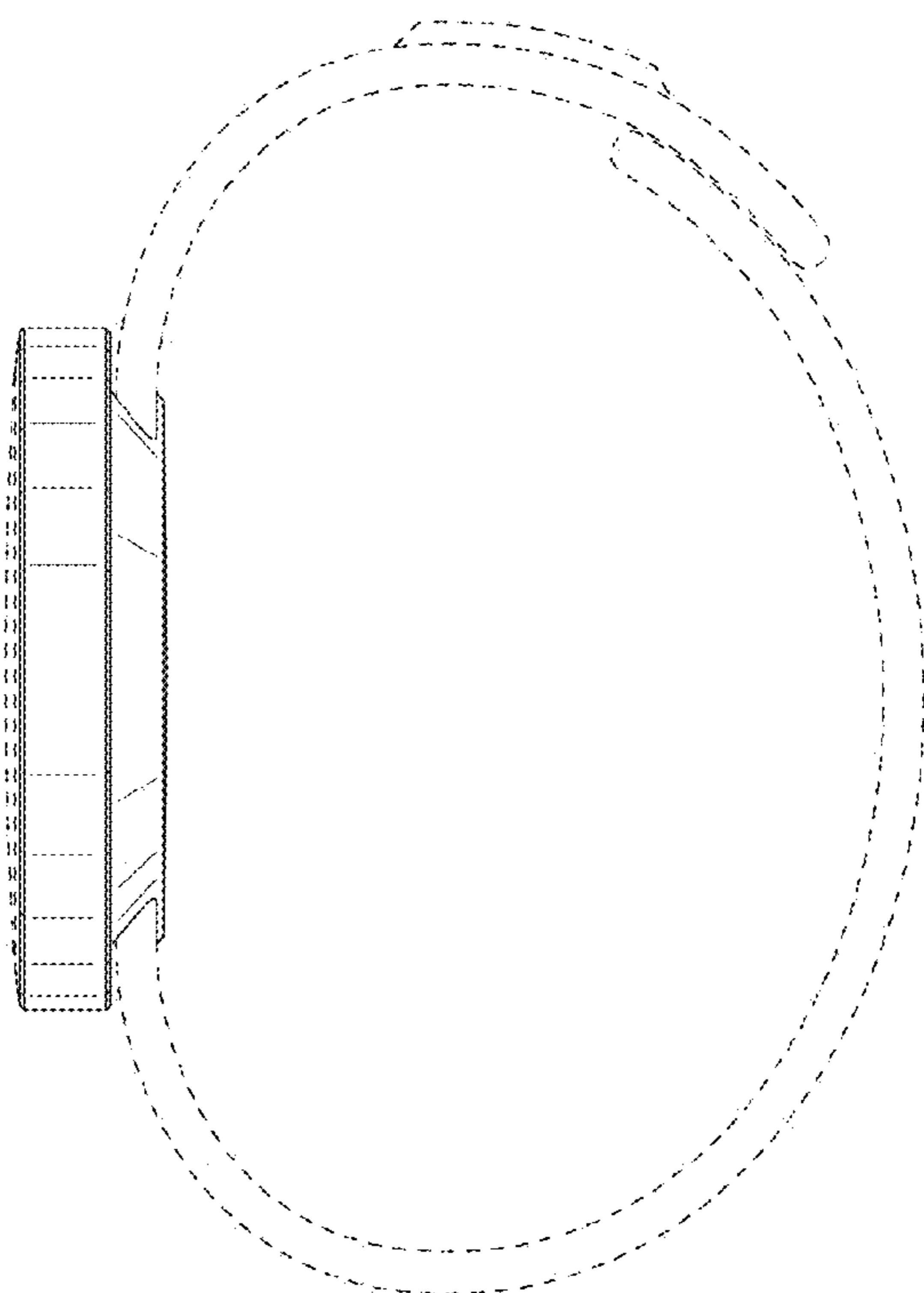


FIG. 5

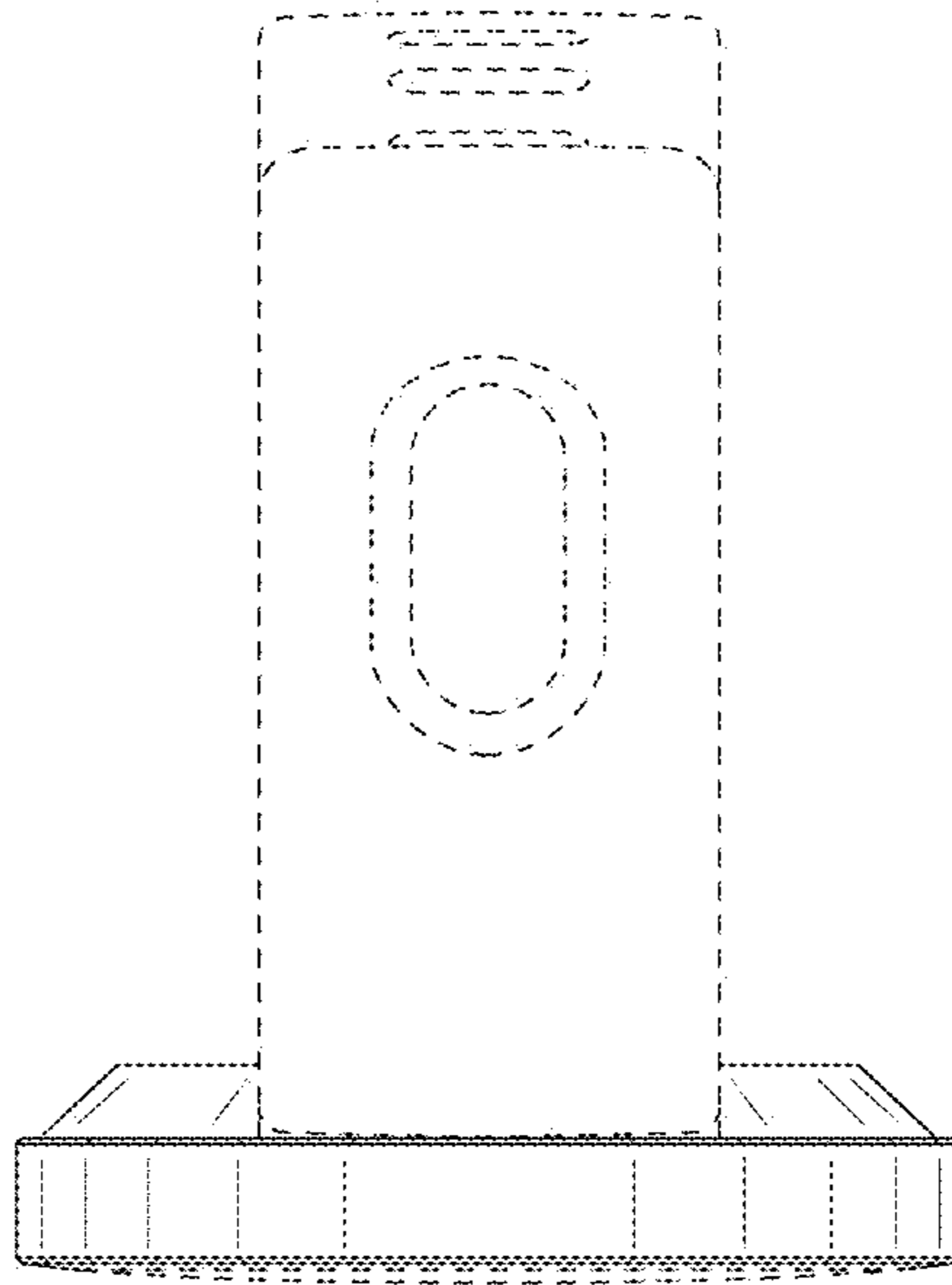


FIG. 6

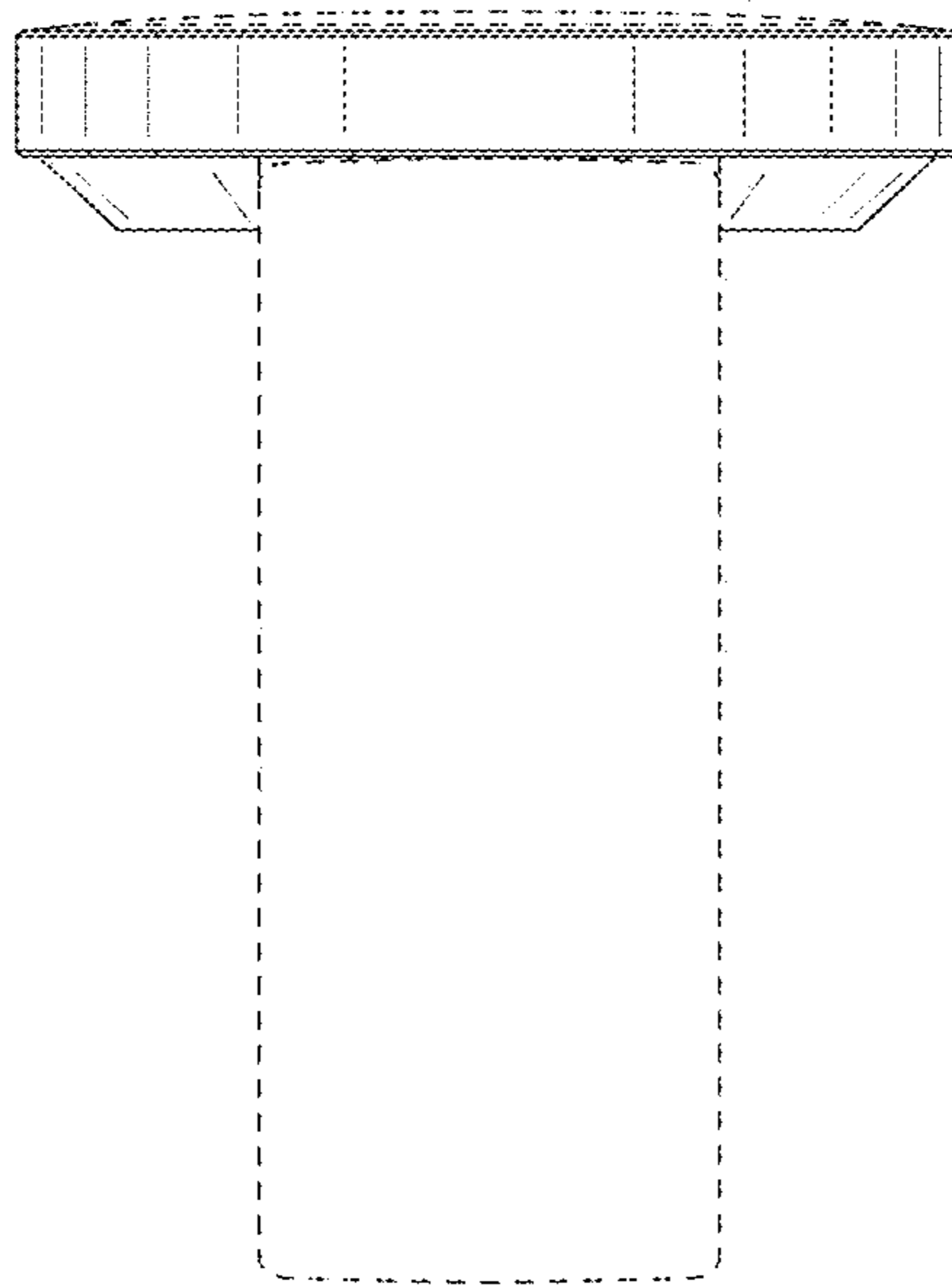


FIG. 7

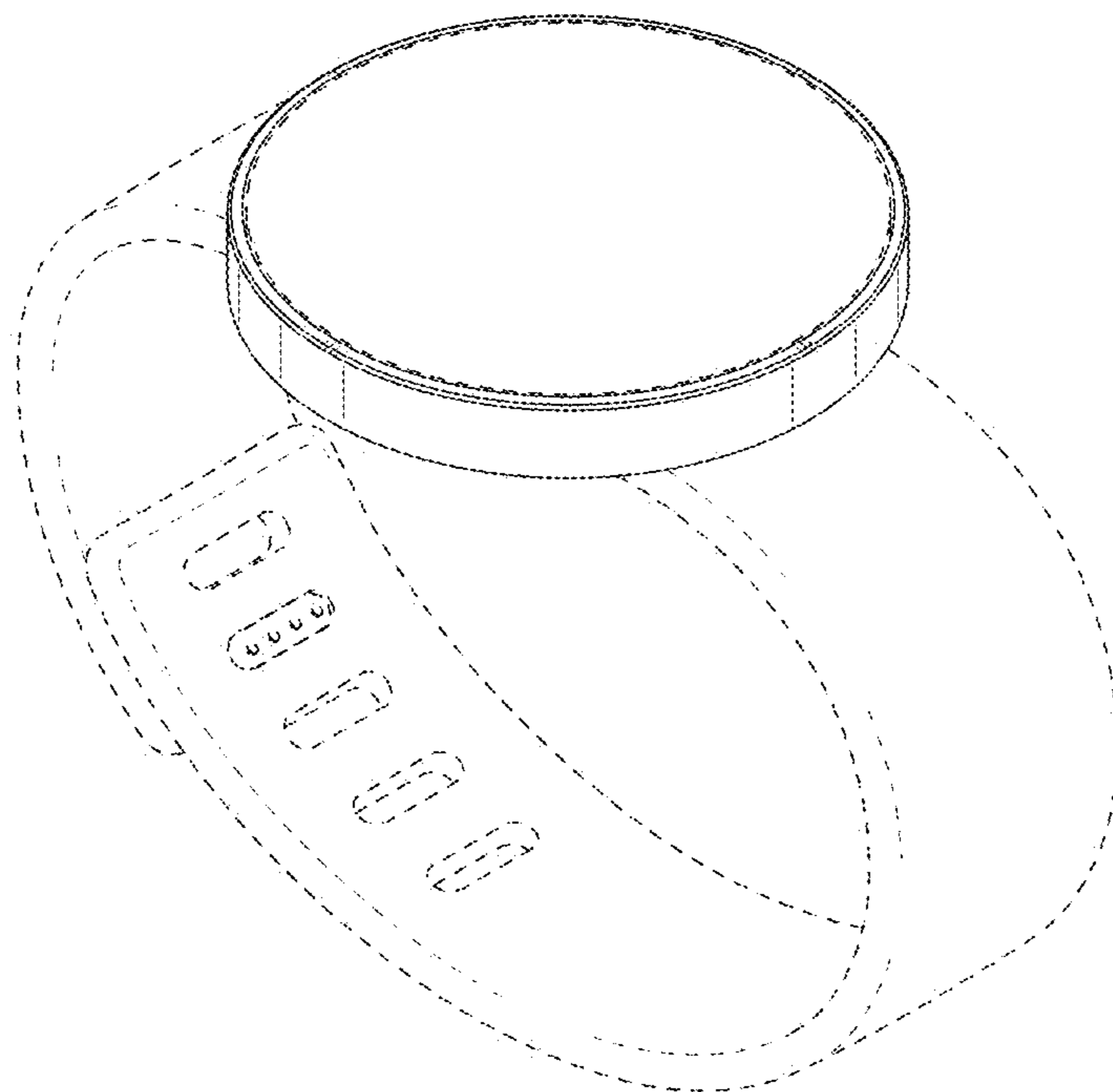


FIG. 8

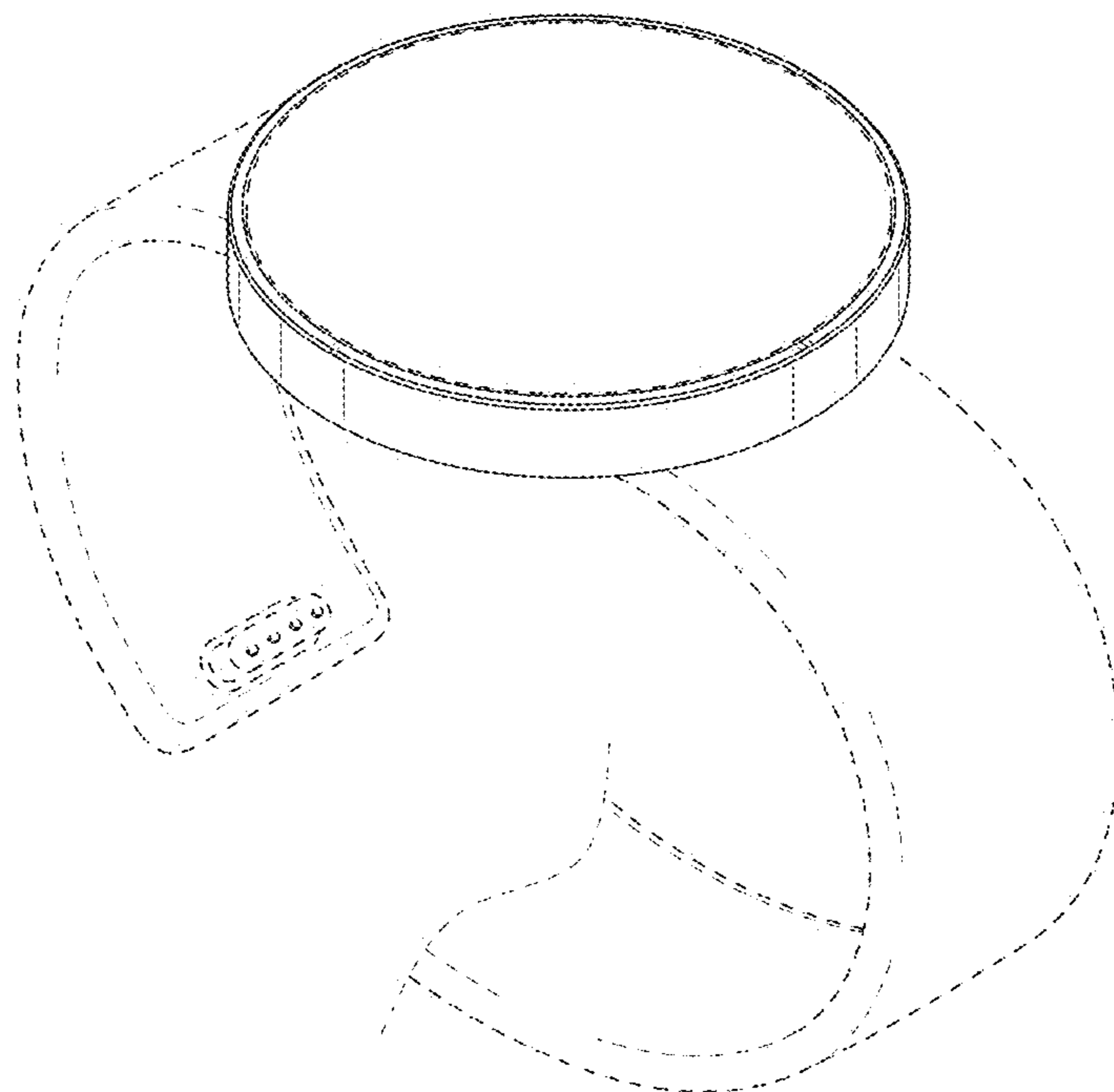


FIG. 9