



US00D750066S

(12) **United States Design Patent**
Lin

(10) **Patent No.:** **US D750,066 S**

(45) **Date of Patent:** **** Feb. 23, 2016**

(54) **MULTI-MODE ELECTRONIC DEVICE**

(71) Applicant: **LENOVO (BEIJING) CO., LTD.**,
Beijing (CN)

(72) Inventor: **Zhimin Lin**, Beijing (CN)

(73) Assignee: **Lenovo (Beijing) Co., Ltd.**, Beijing
(CN)

(**) Term: **14 Years**

(21) Appl. No.: **29/489,978**

(22) Filed: **May 5, 2014**

(30) **Foreign Application Priority Data**

Nov. 4, 2013 (CN) 2013 3 0525209

(51) **LOC (10) Cl.** **14-02**

(52) **U.S. Cl.**
USPC **D14/341; D14/371**

(58) **Field of Classification Search**
USPC D14/371-375, 125-129, 336, 337, 341;
341/12; 345/104, 156, 168, 173;
348/180, 184, 325, 739; 349/1, 2, 11,
349/62; 361/679.05-679.07, 679.21;
D6/300, 308

CPC G06F 1/16; G06F 1/1601; G06F 3/037;
G06F 1/162; G06F 1/1613; H04M 1/0202;
H04M 1/0279; H04M 1/0281; H04M 1/0283
See application file for complete search history.

(56) **References Cited**

U.S. PATENT DOCUMENTS

D255,745 S * 7/1980 Pedersen D6/311
6,651,943 B2 * 11/2003 Cho et al. 248/122.1

7,299,580 B2 * 11/2007 Wang et al. 40/719
D585,399 S * 1/2009 Hwang D14/130
D639,267 S * 6/2011 DeLorenzo et al. D14/142
D687,820 S * 8/2013 Kim D14/341
2006/0050471 A1 * 3/2006 Chen 361/681

* cited by examiner

Primary Examiner — Freda S Nunn

(74) *Attorney, Agent, or Firm* — Oppedahl Patent Law Firm
LLC

(57) **CLAIM**

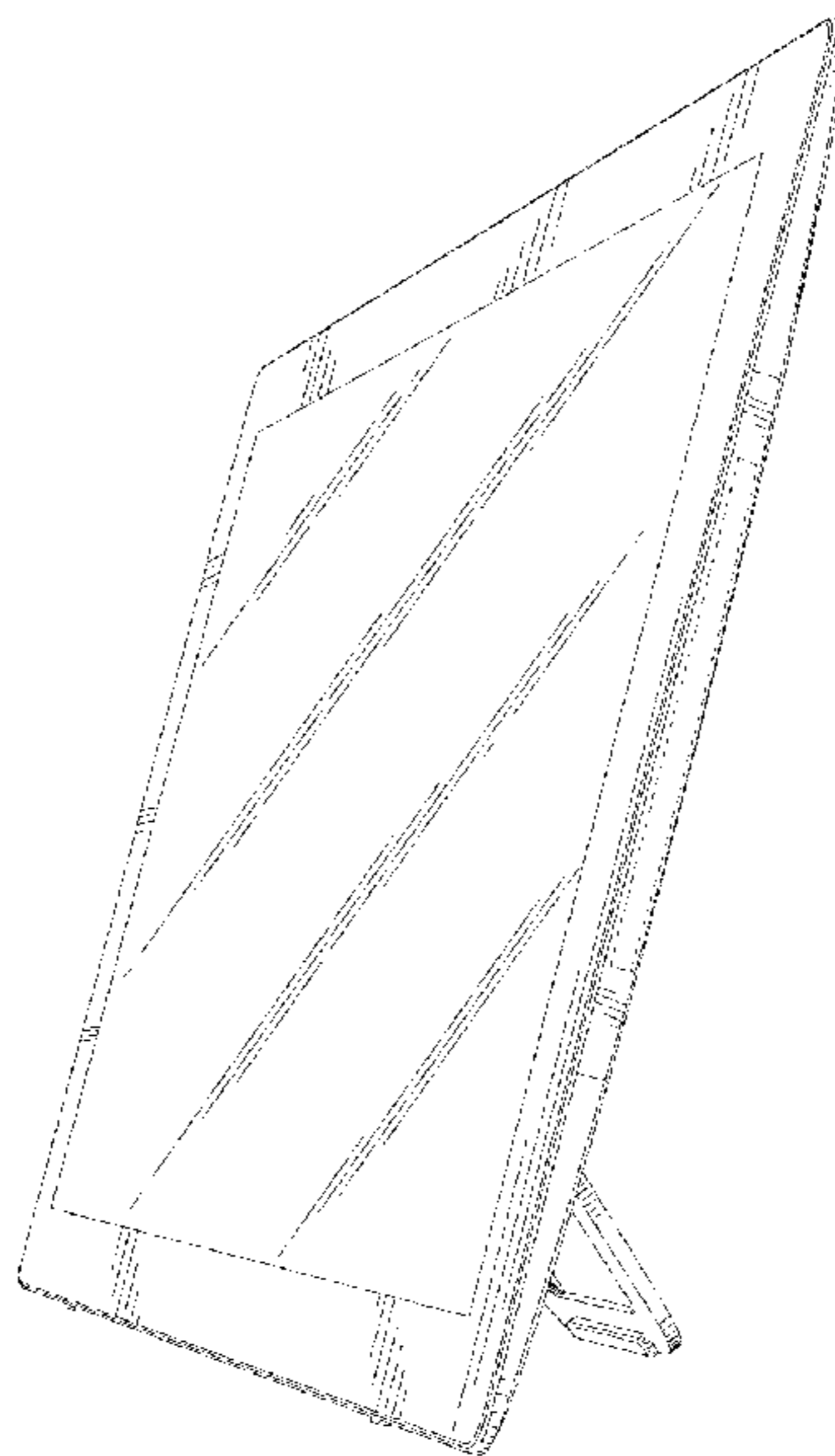
The ornamental design for a multi-mode electronic device, as
shown and described.

DESCRIPTION

FIG. 1 is a top plan view of a multi-mode electronic device;
FIG. 2 is a bottom plan view thereof;
FIG. 3 is a left side elevation view thereof;
FIG. 4 is a right side elevation view thereof;
FIG. 5 is a rear elevation view thereof;
FIG. 6 is a front elevation view thereof;
FIG. 7 is a top isometric view thereof;
FIG. 8 is a bottom isometric view thereof;
FIG. 9 is a top plan view thereof with the stand being in an
open position;
FIG. 10 is a bottom plan view thereof;
FIG. 11 is a left side elevation view thereof;
FIG. 12 is a right side elevation view thereof;
FIG. 13 is a rear elevation view thereof;
FIG. 14 is a front elevation view thereof;
FIG. 15 is a right side isometric view thereof; and,
FIG. 16 is a bottom isometric view thereof.

The features shown in broken lines in the drawings depict
environment subject matter and form no part of the claimed
design.

1 Claim, 12 Drawing Sheets



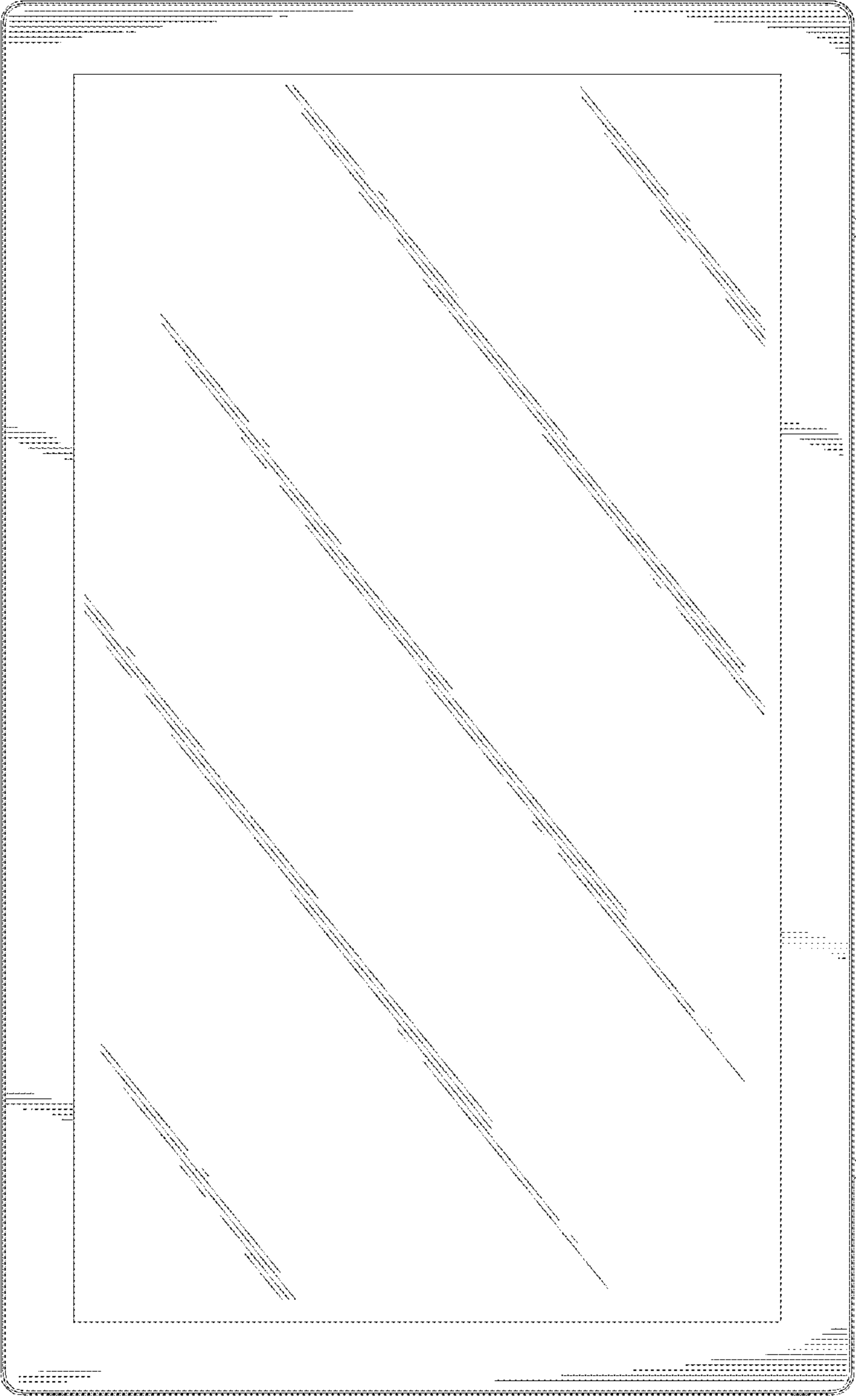


Fig.1

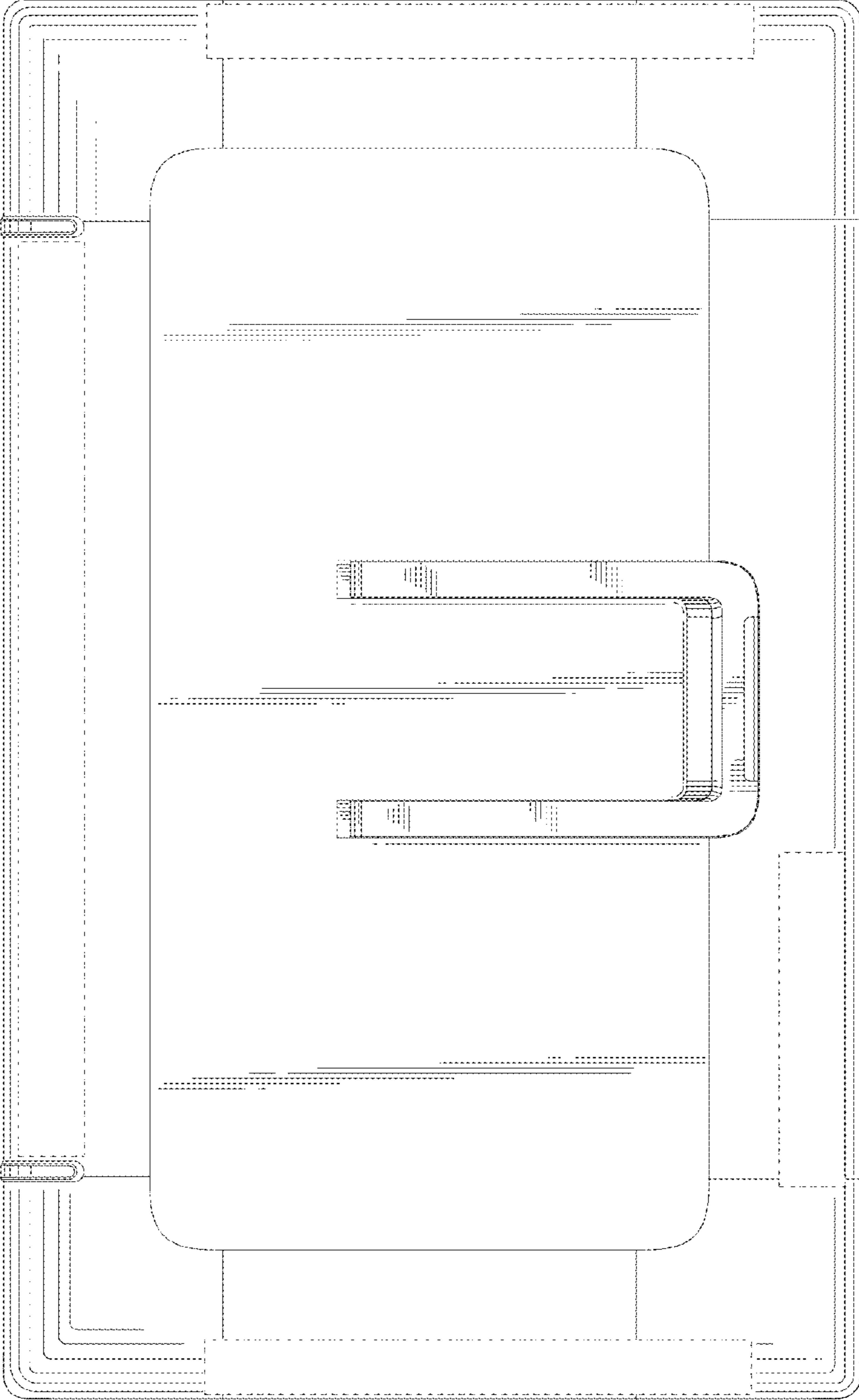


Fig.2

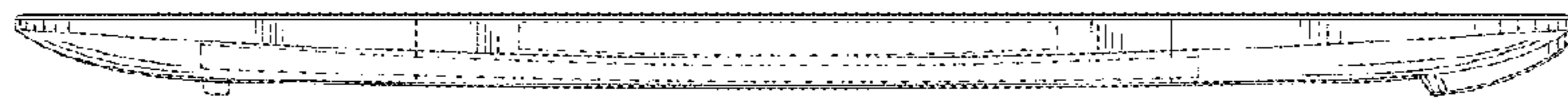


Fig.3

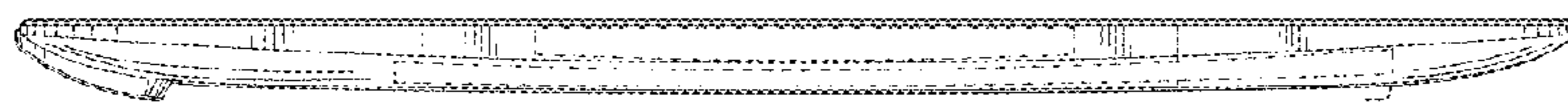


Fig.4

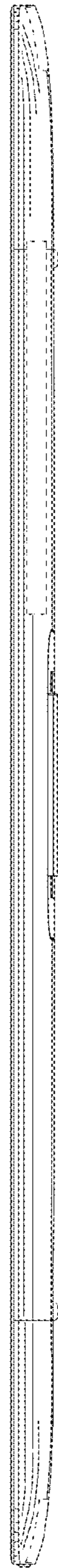


Fig. 5

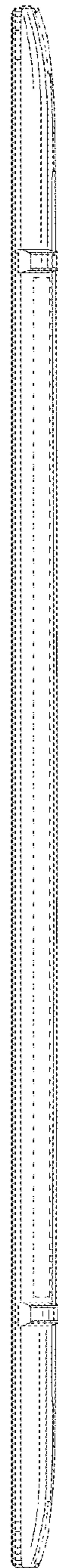


Fig. 6

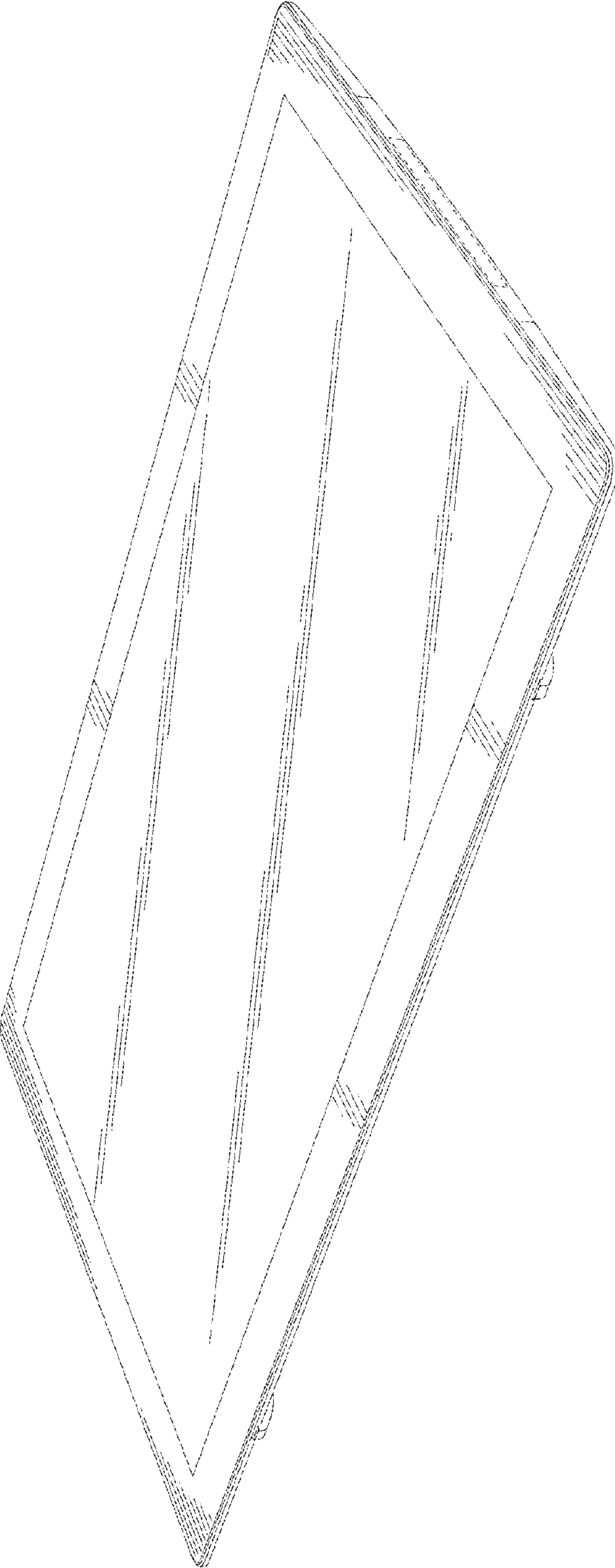


Fig.7

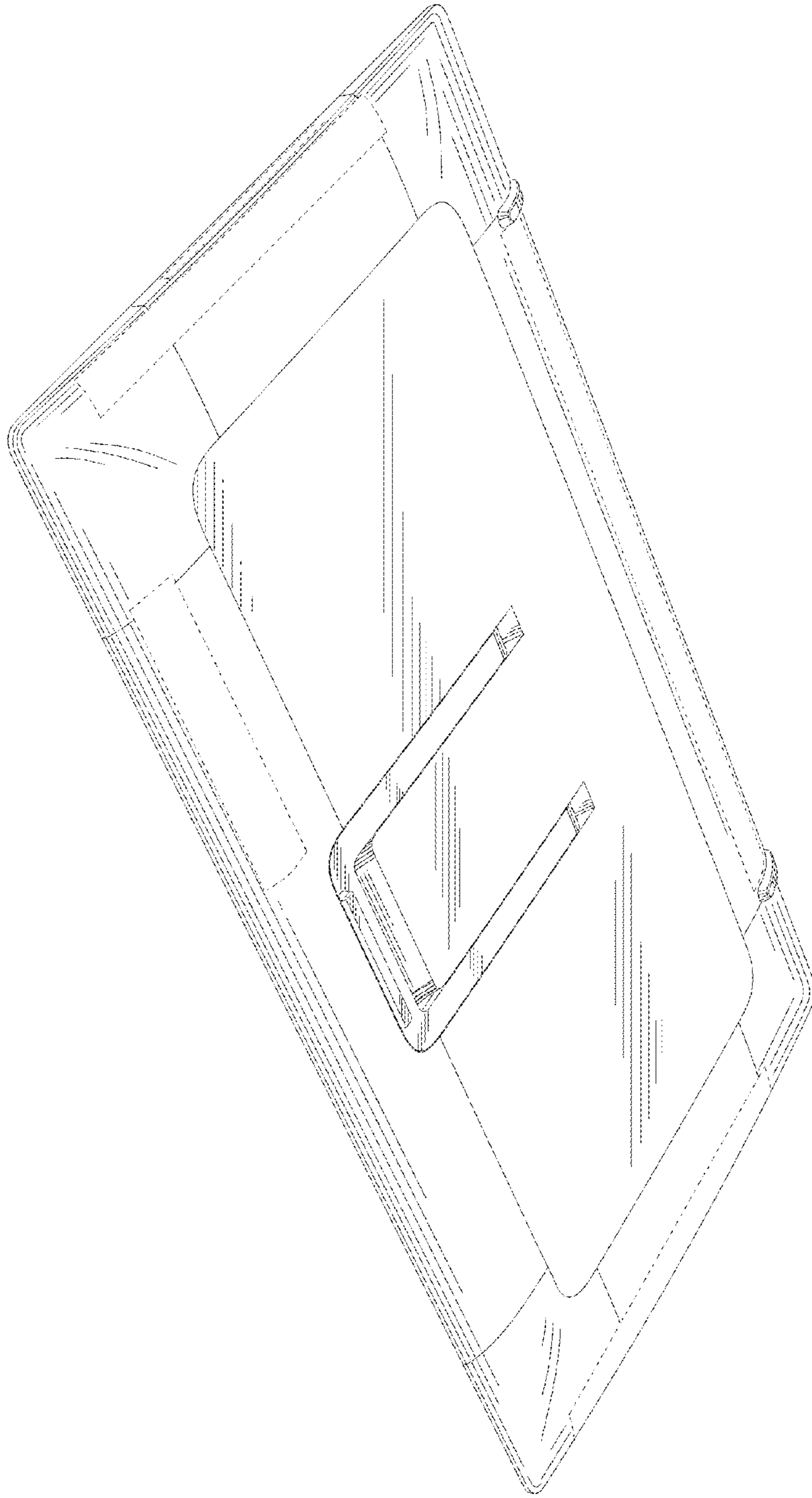


Fig.8

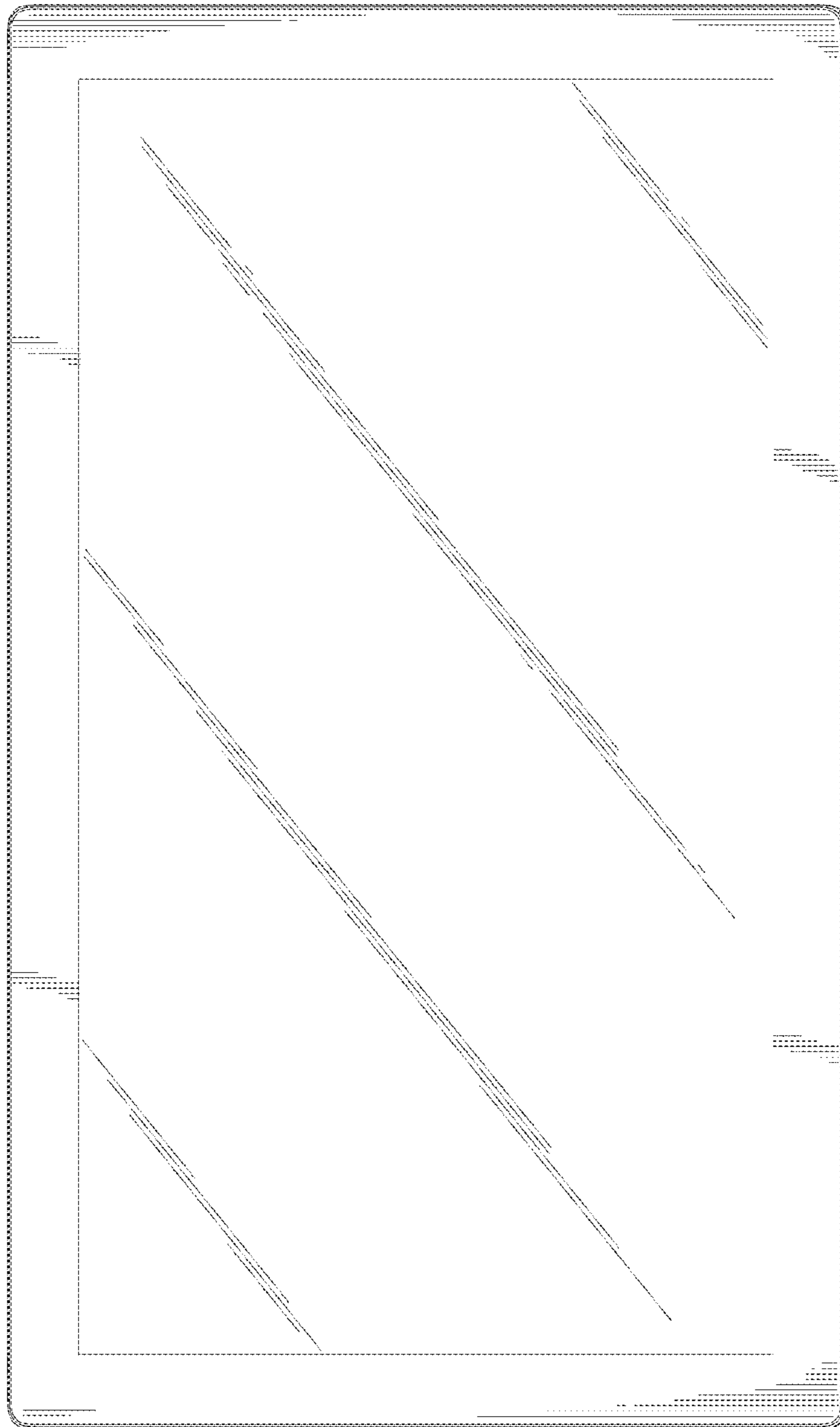


Fig.9

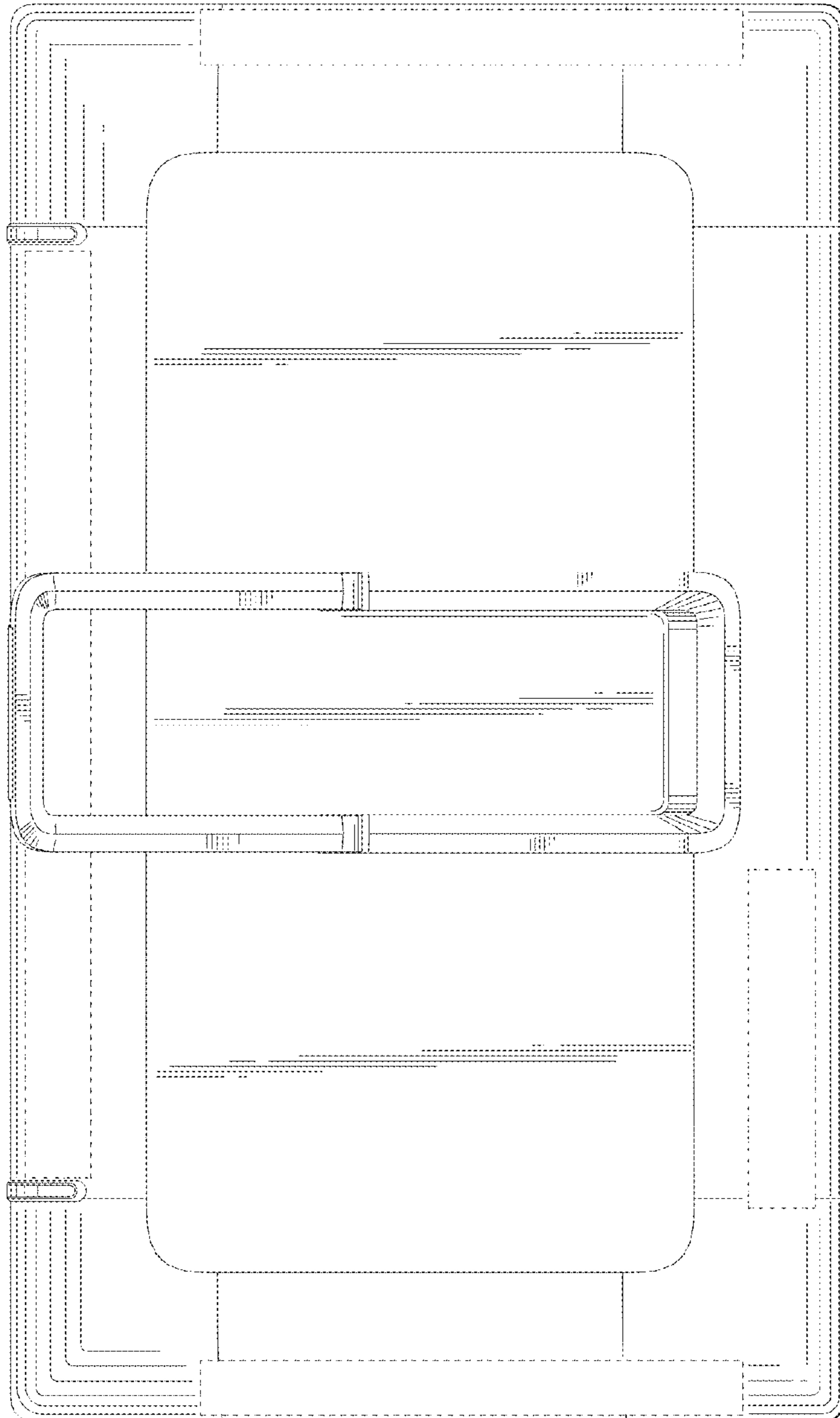


Fig.10

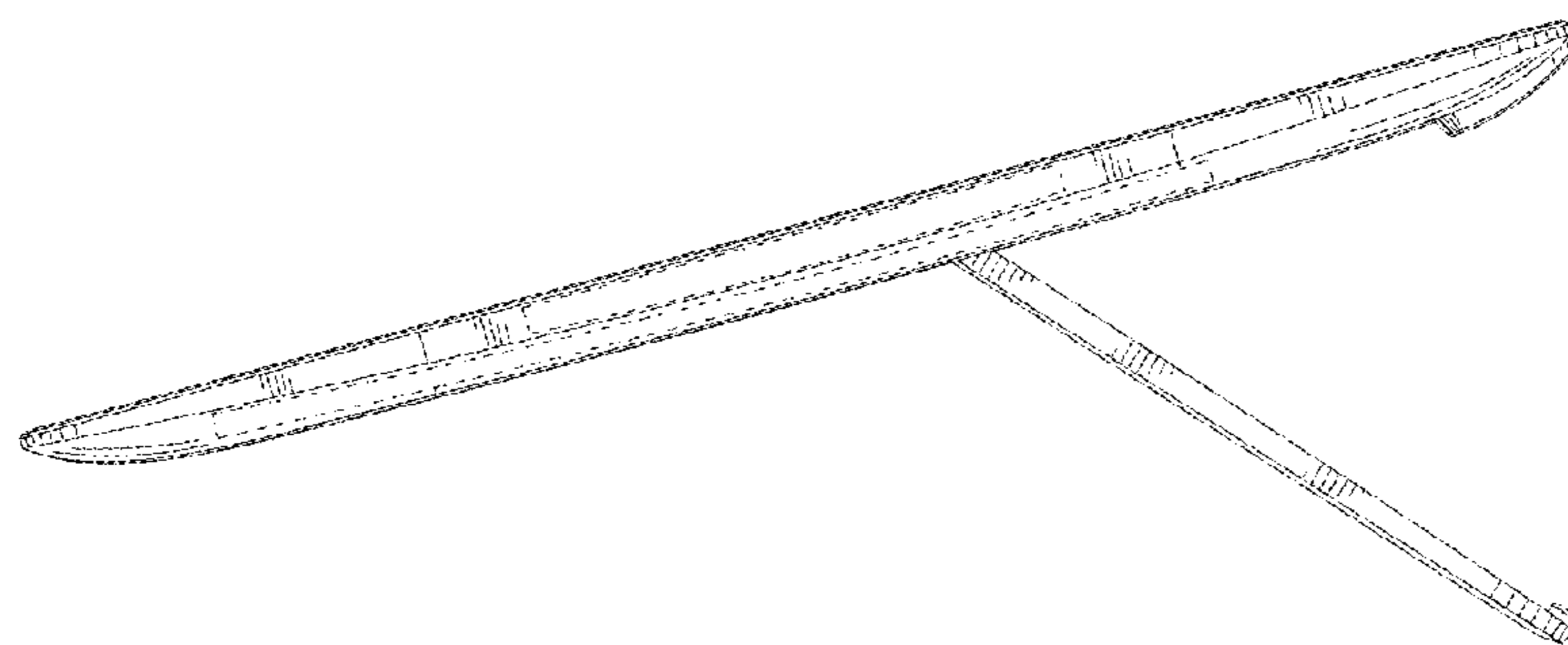


Fig.11

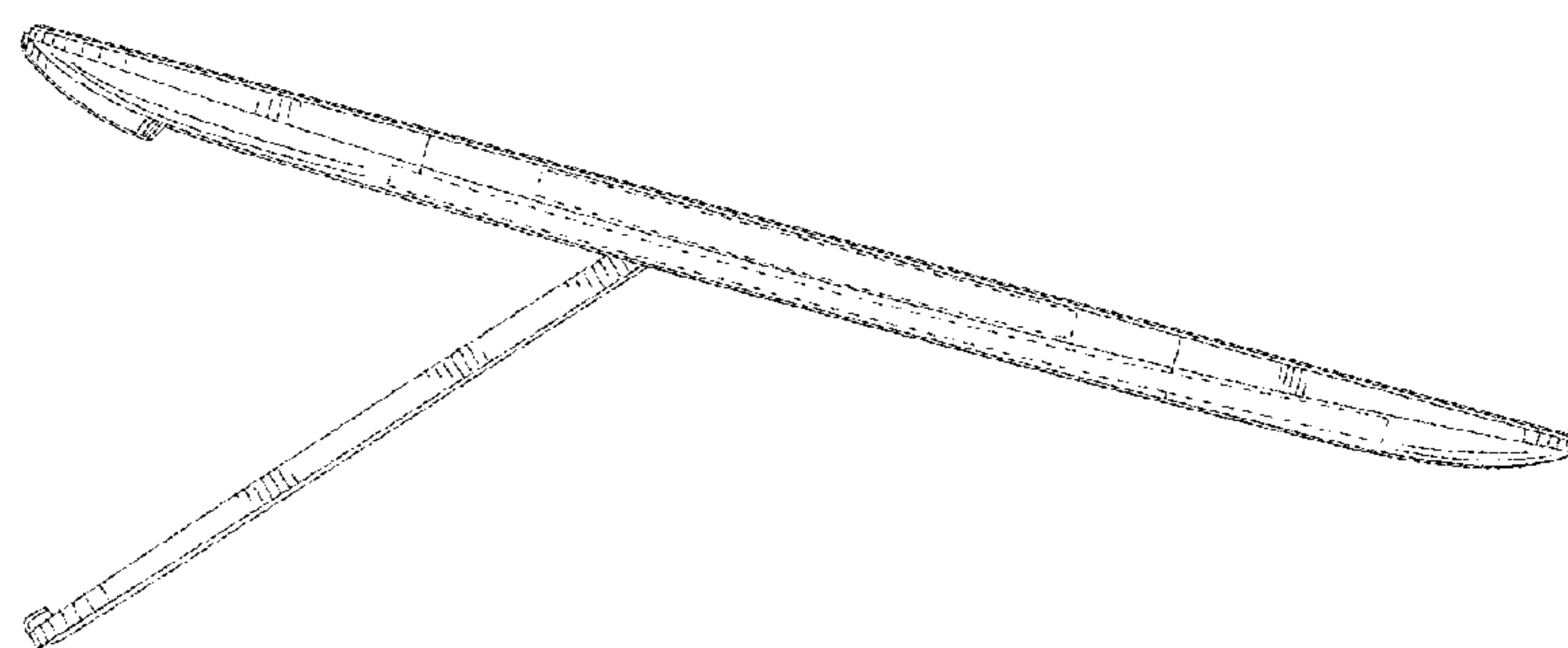


Fig.12

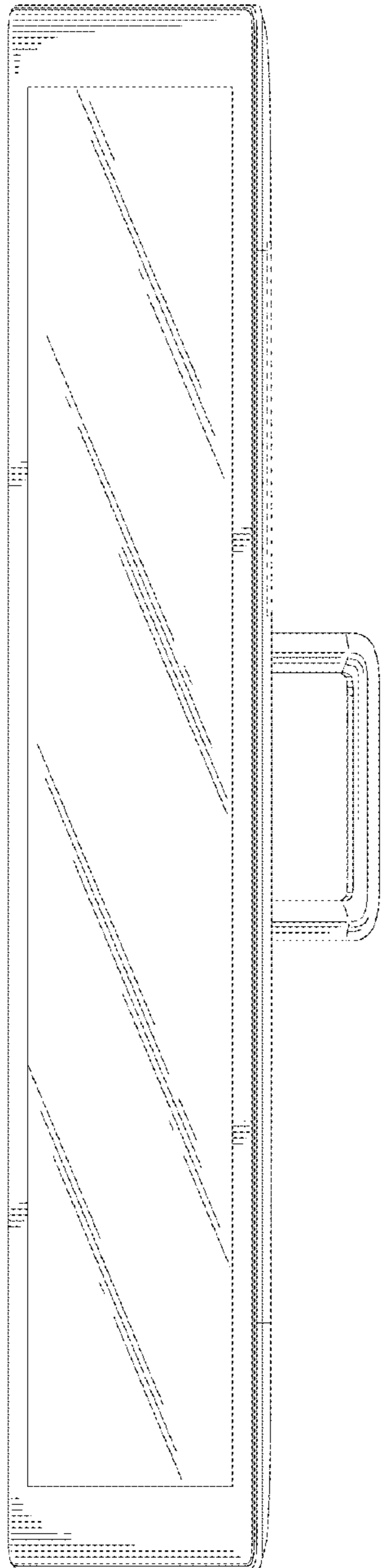


Fig. 13

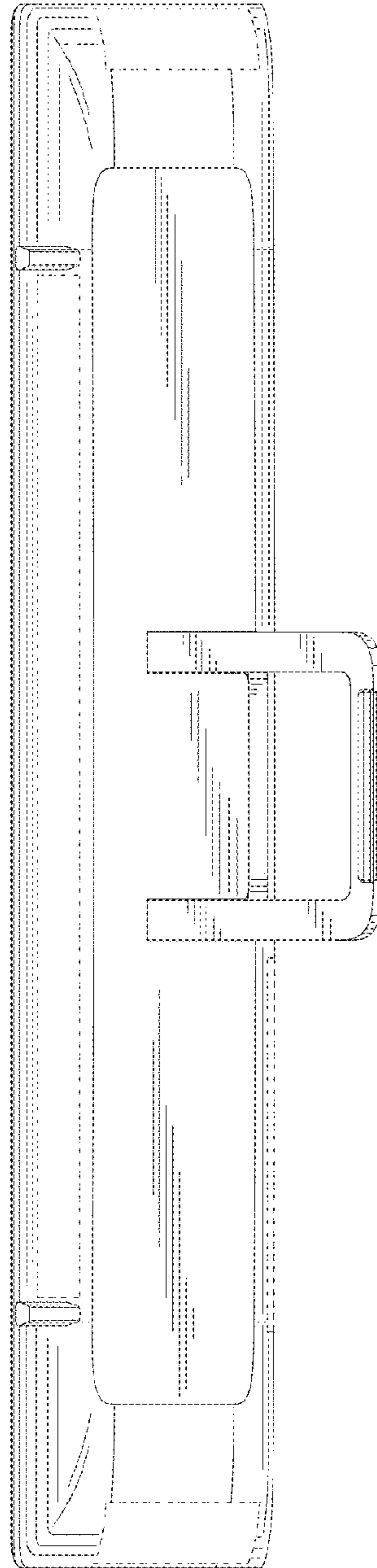


Fig. 14

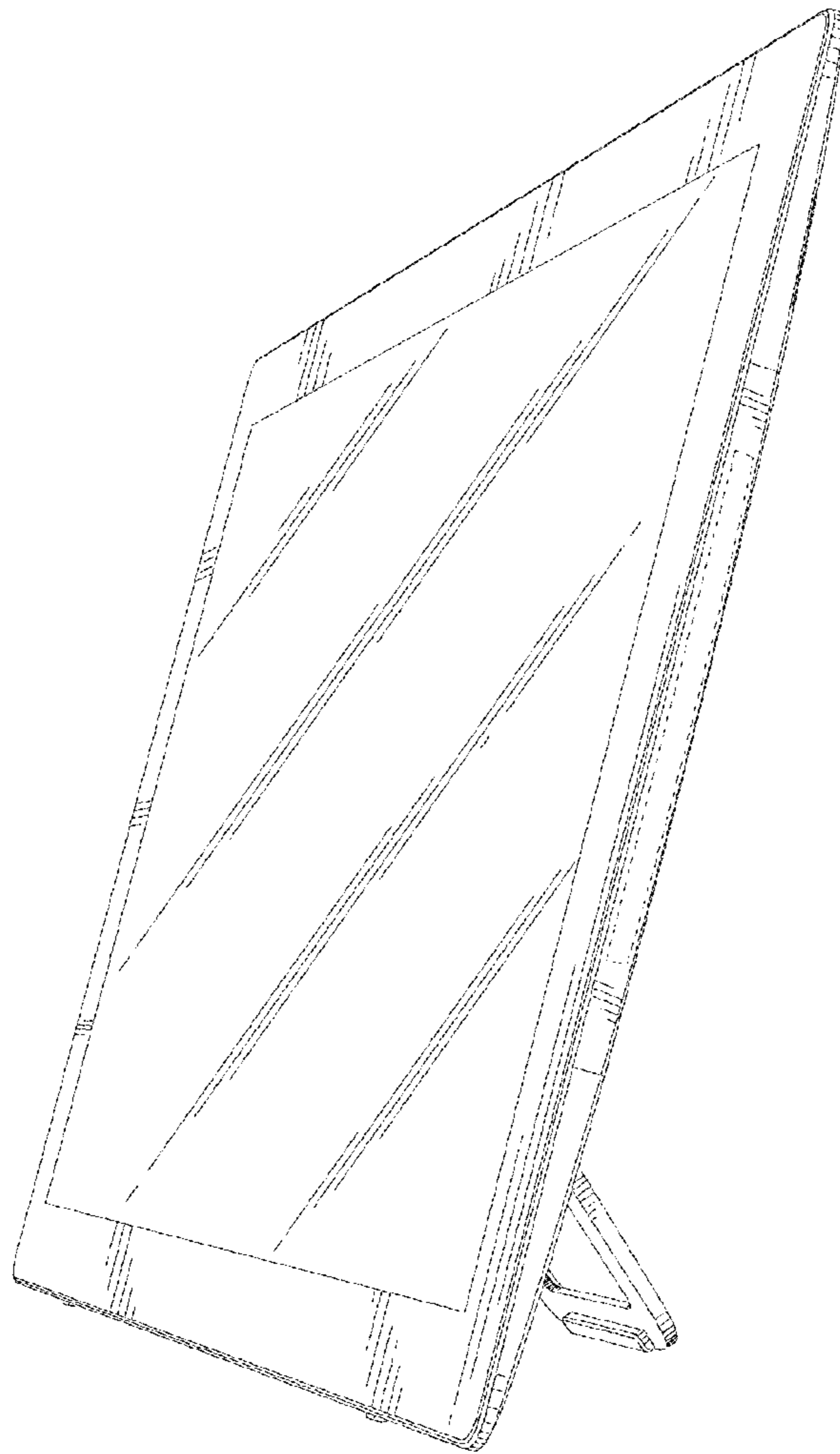


Fig.15

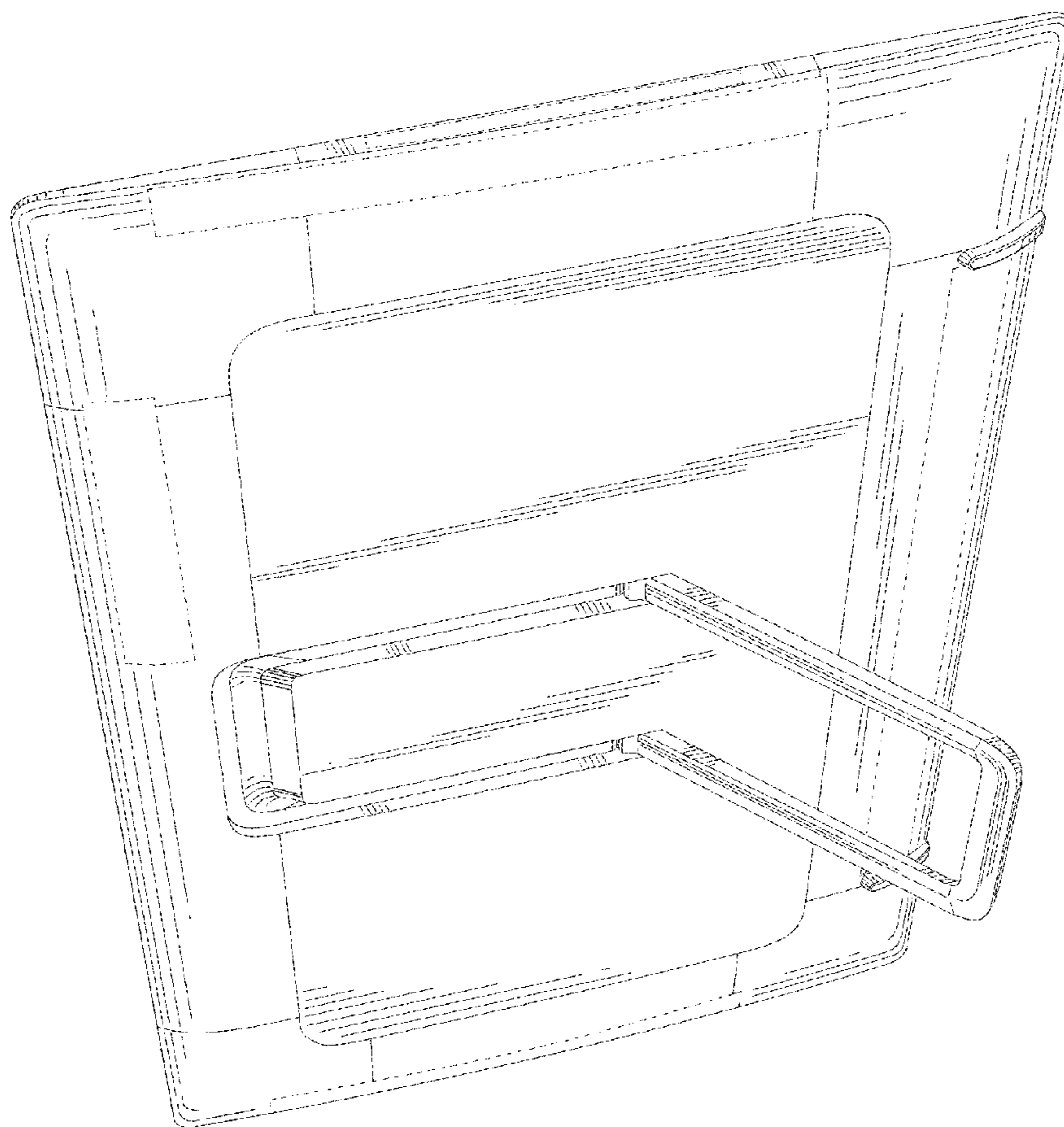


Fig.16