



US00D750060S

(12) **United States Design Patent**  
**Brassard**

(10) **Patent No.:** **US D750,060 S**  
(45) **Date of Patent:** **\*\* Feb. 23, 2016**

(54) **MOBILE DEVICE HOLDER**

(71) Applicant: **ARKON RESOURCES, INC.**, Arcadia, CA (US)

(72) Inventor: **Paul Brassard**, Arcadia, CA (US)

(73) Assignee: **ARKON RESOURCES, INC.**, Arcadia, CA (US)

(\*\*) Term: **14 Years**

(21) Appl. No.: **29/461,797**

(22) Filed: **Jul. 26, 2013**

(51) **LOC (10) Cl.** ..... **14-03**

(52) **U.S. Cl.**  
USPC ..... **D14/253**

(58) **Field of Classification Search**  
USPC ..... D14/208, 209.1, 217, 238.1, 243, D14/250–253, 434, 440, 447, 496, D14/203.3–203.7, 248, 240, 341–347; 248/309.1, 371, 176.3, 668; D19/90, D19/86, 87, 92; D6/553; 455/575.1, 575.8; 379/426, 446, 455, 433.1; 320/108, 320/115; D16/242–244; D13/102, 108  
CPC ..... B60R 11/02; F16M 2200/00; F16M 13/00  
See application file for complete search history.

(56) **References Cited**

**U.S. PATENT DOCUMENTS**

D286,636 S *	11/1986	Cooke et al.	.....	D14/253
D317,157 S *	5/1991	Jondelius	.....	D14/253
D379,463 S *	5/1997	Richter	.....	D14/253
D405,453 S *	2/1999	Richter	.....	D14/253
6,073,901 A *	6/2000	Richter	.....	248/316.4
D456,024 S *	4/2002	Richter	.....	D14/434
D468,747 S *	1/2003	Kwon	.....	D14/451
D529,713 S *	10/2006	Guyot et al.	.....	D3/218
D530,713 S *	10/2006	Richter	.....	D14/253
D645,462 S *	9/2011	Choi	.....	D14/253

D676,371 S *	2/2013	Son	.....	D12/415
D679,716 S *	4/2013	Mo	.....	D14/447
D681,612 S *	5/2013	Palacios	.....	D14/238.1
D681,624 S *	5/2013	Chang	.....	D14/250
D684,980 S *	6/2013	Chun	.....	D14/447
D689,502 S *	9/2013	Belitz et al.	.....	D14/447
D690,707 S *	10/2013	Minn et al.	.....	D14/447
D697,919 S *	1/2014	Gelsomini et al.	.....	D14/447
D712,394 S *	9/2014	Booth et al.	.....	D14/253
D717,804 S *	11/2014	Budge	.....	D14/447
D719,951 S *	12/2014	Fenton	.....	D14/253
D720,759 S *	1/2015	Deng et al.	.....	D14/447
D721,074 S *	1/2015	Harris	.....	D14/253
D723,042 S *	2/2015	Lee et al.	.....	D14/447

\* cited by examiner

*Primary Examiner* — Susan Bennett Hattan

*Assistant Examiner* — Janice Hallmark

(74) *Attorney, Agent, or Firm* — Karish & Bjorgum, PC

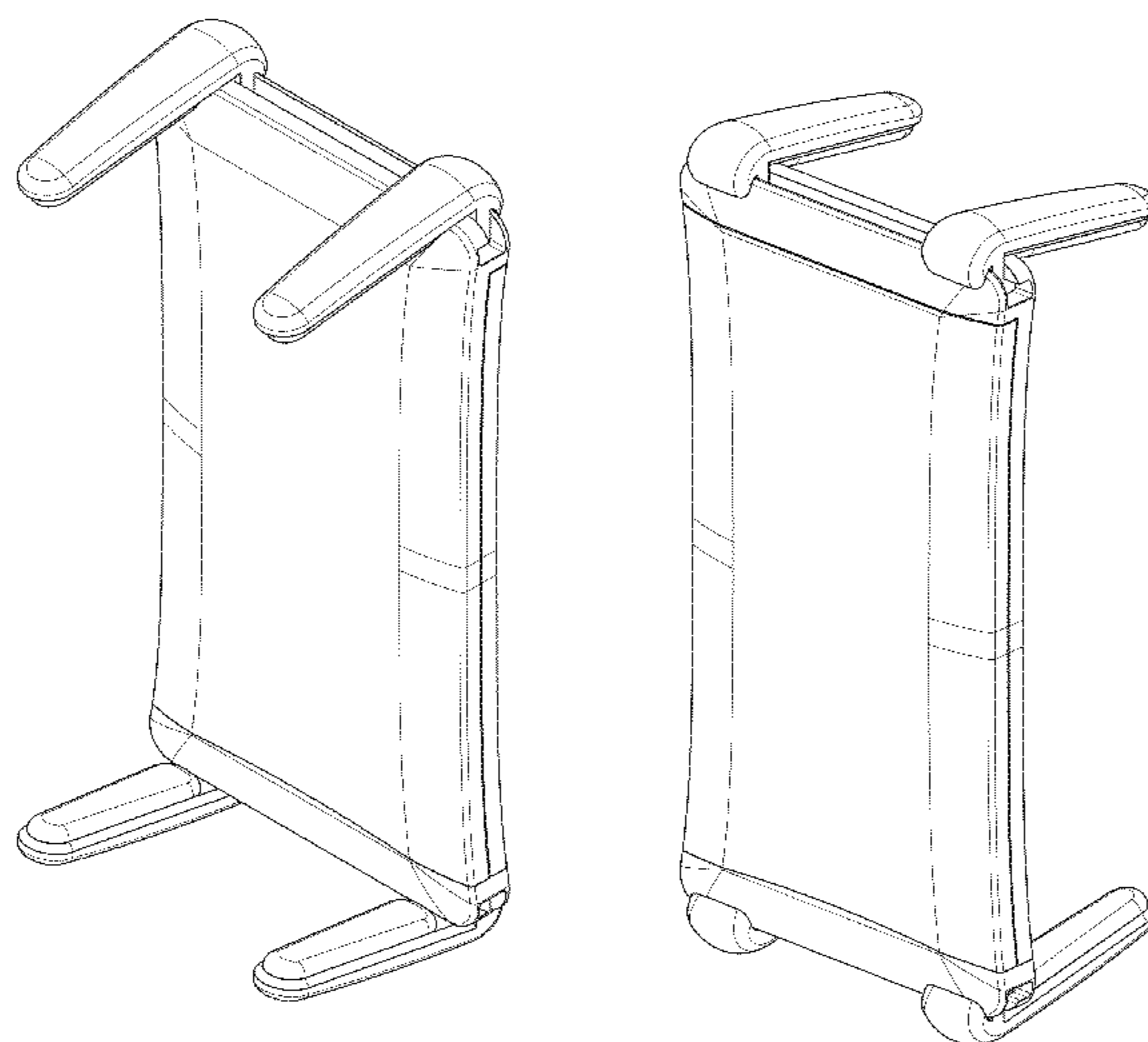
(57) **CLAIM**

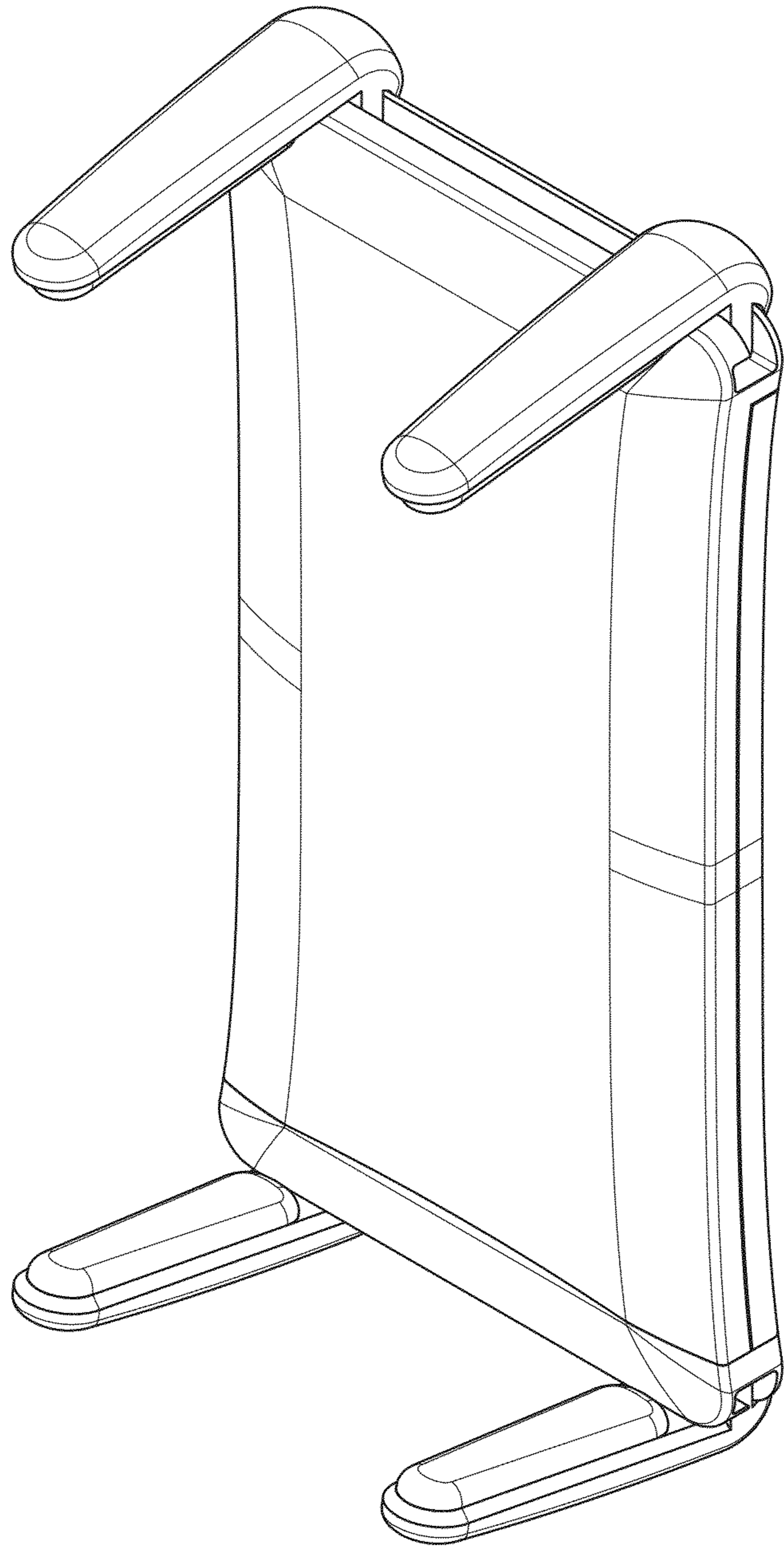
The ornamental design for mobile device holder, as shown and described.

**DESCRIPTION**

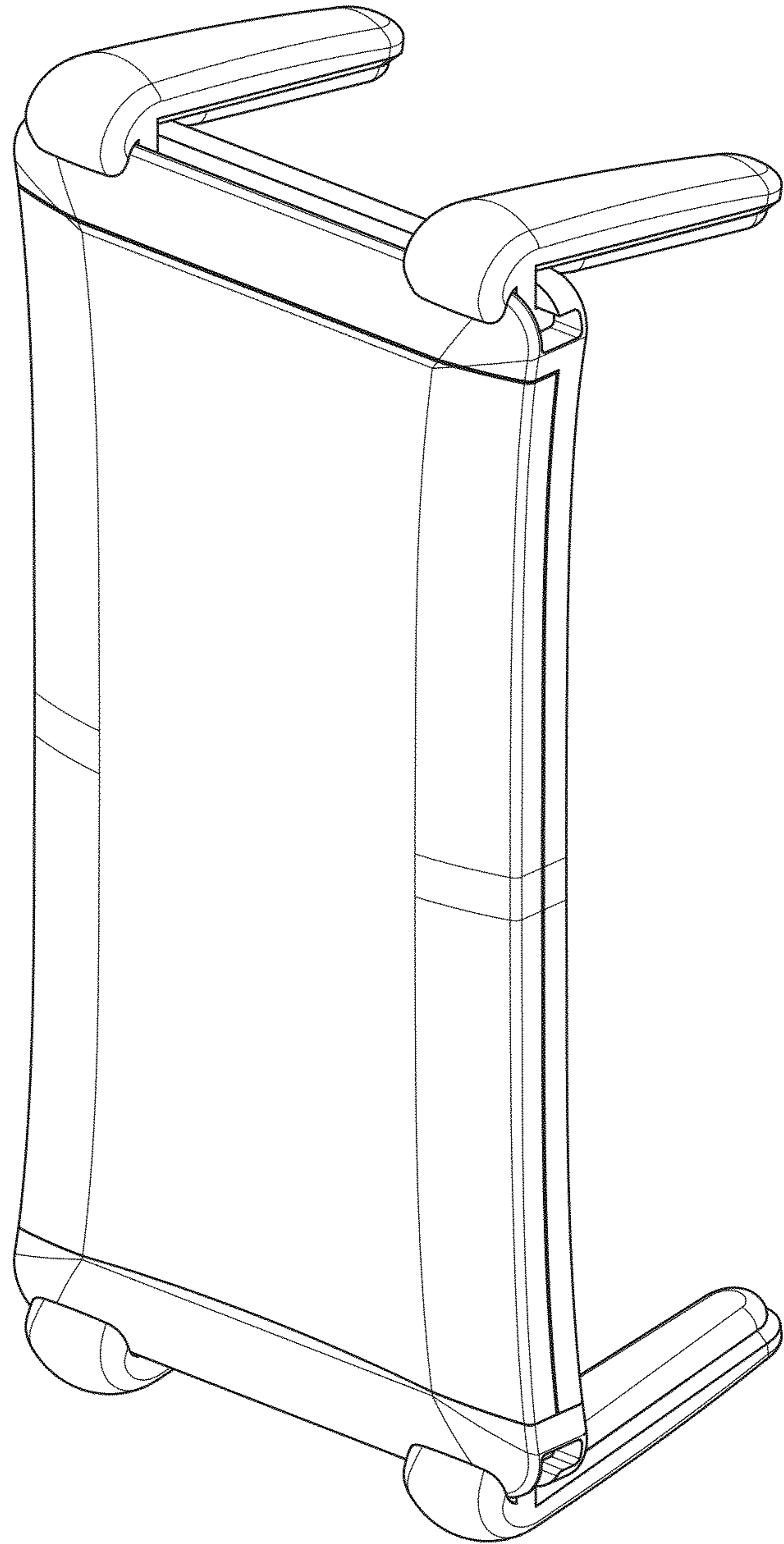
FIG. 1 is a front top right isometric view of the mobile device holder showing my new design;  
FIG. 2 is a rear top left isometric view thereof;  
FIG. 3 is a rear top left isometric view thereof; shown with four arms detached for clarity of disclosure;  
FIG. 4 is a rear top left isometric view thereof; shown with two arms detached for clarity of disclosure;  
FIG. 5 is a top view thereof;  
FIG. 6 is a front view thereof;  
FIG. 7 is a bottom view thereof;  
FIG. 8 is a back view thereof; and,  
FIG. 9 is a right side view thereof; the left side view is a mirror image of FIG. 9.  
The left side view of the mobile device holder of FIG. 1 is a mirror image of that shown in FIG. 9.

**1 Claim, 7 Drawing Sheets**

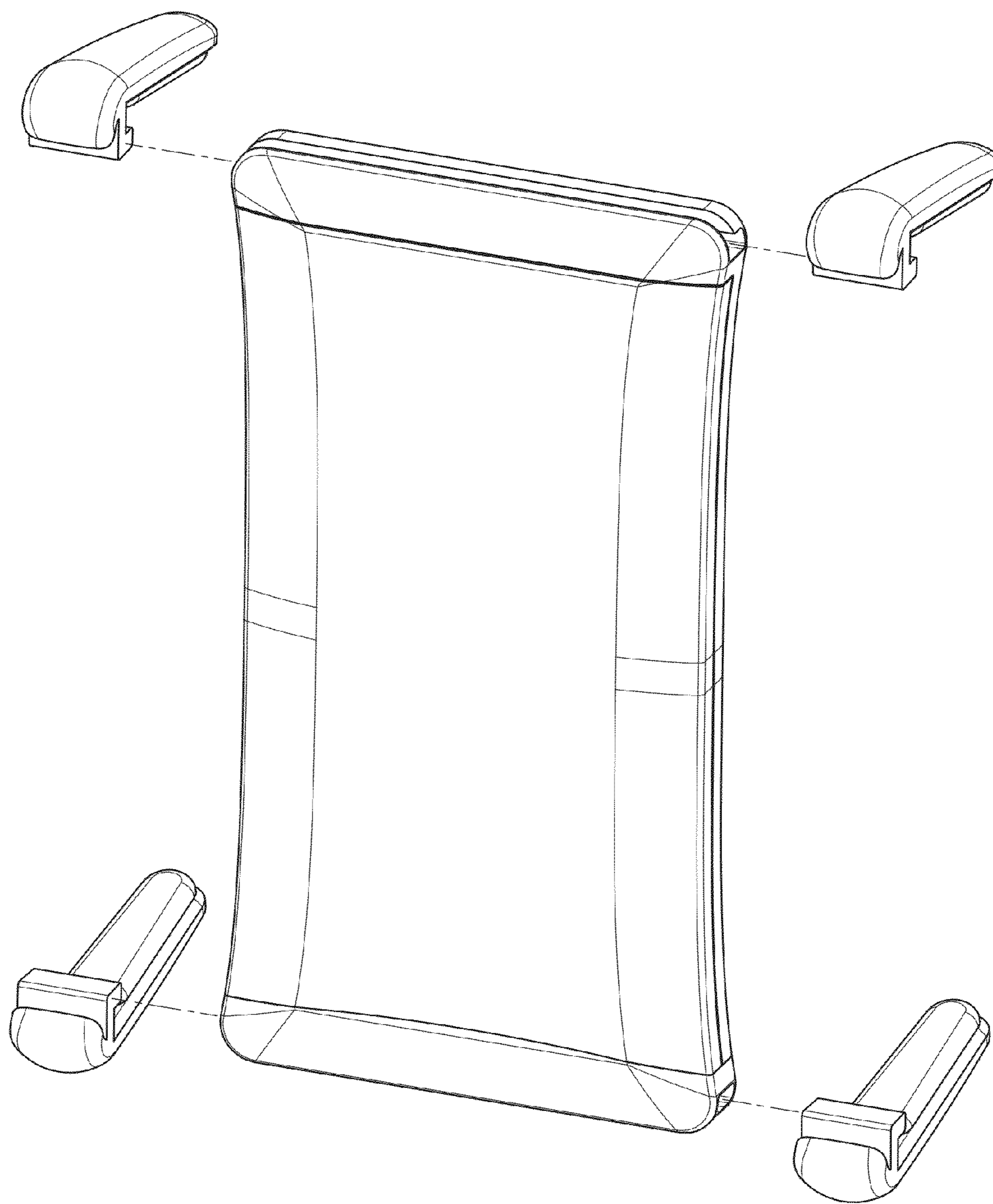




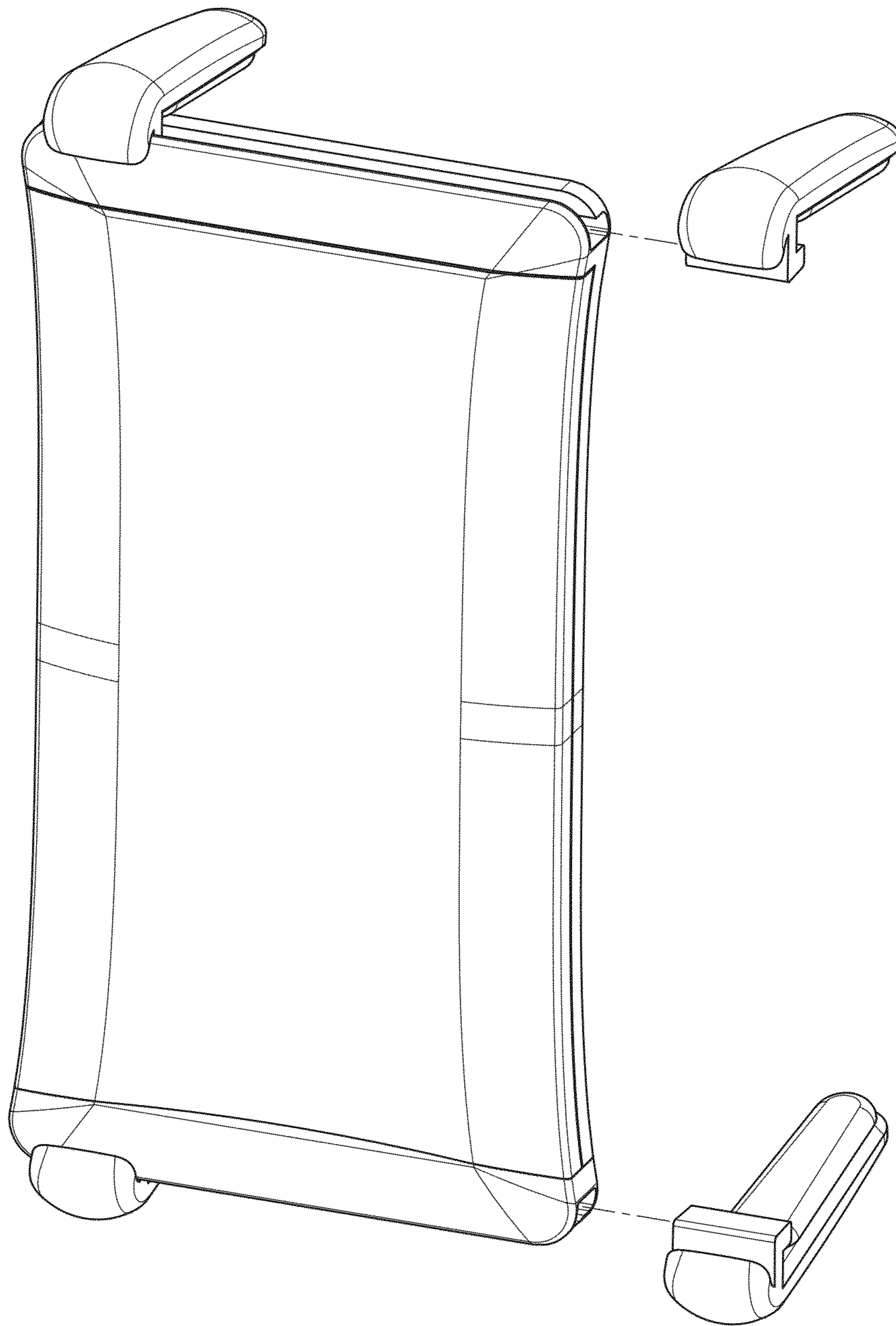
*FIG. 1*



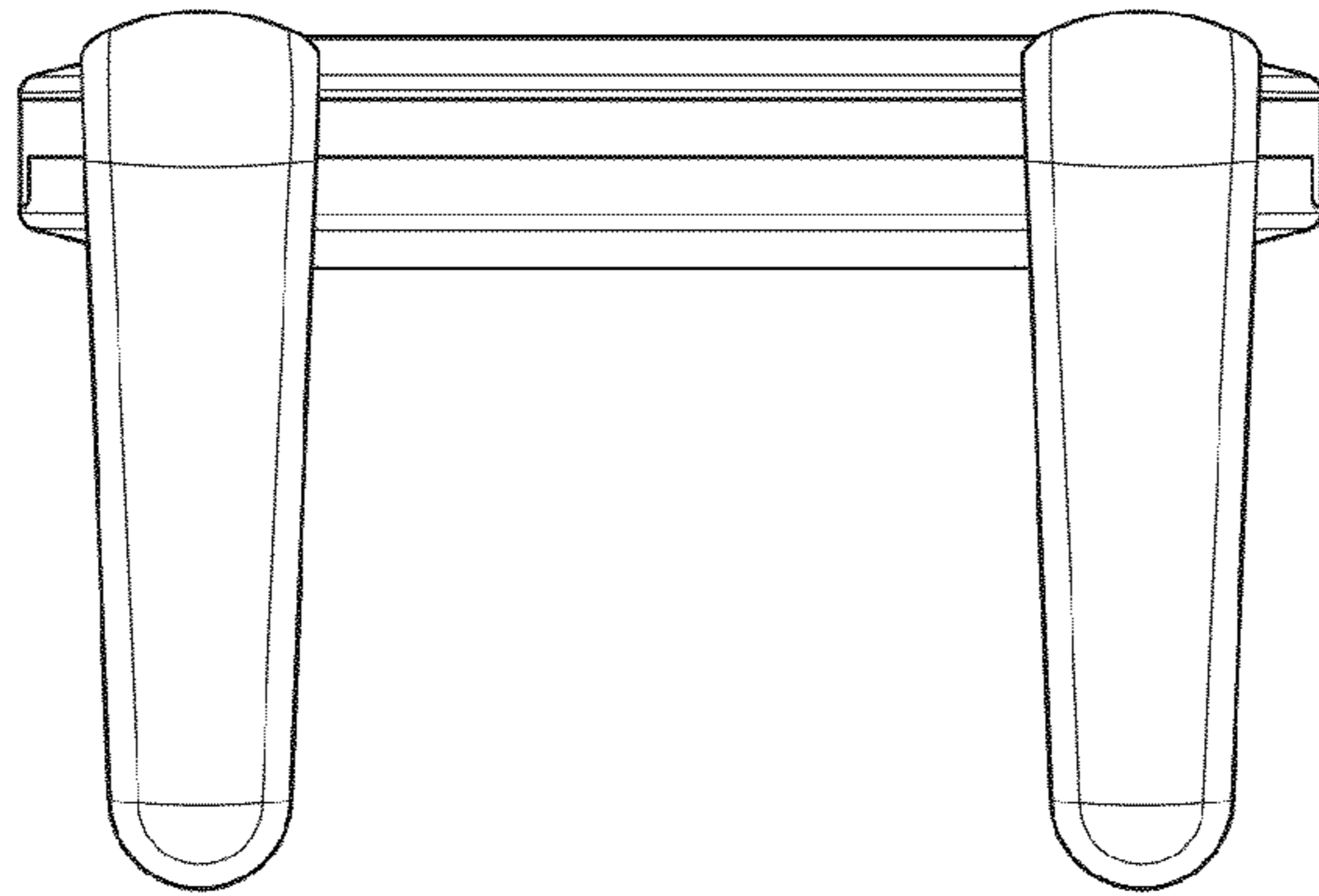
*FIG. 2*



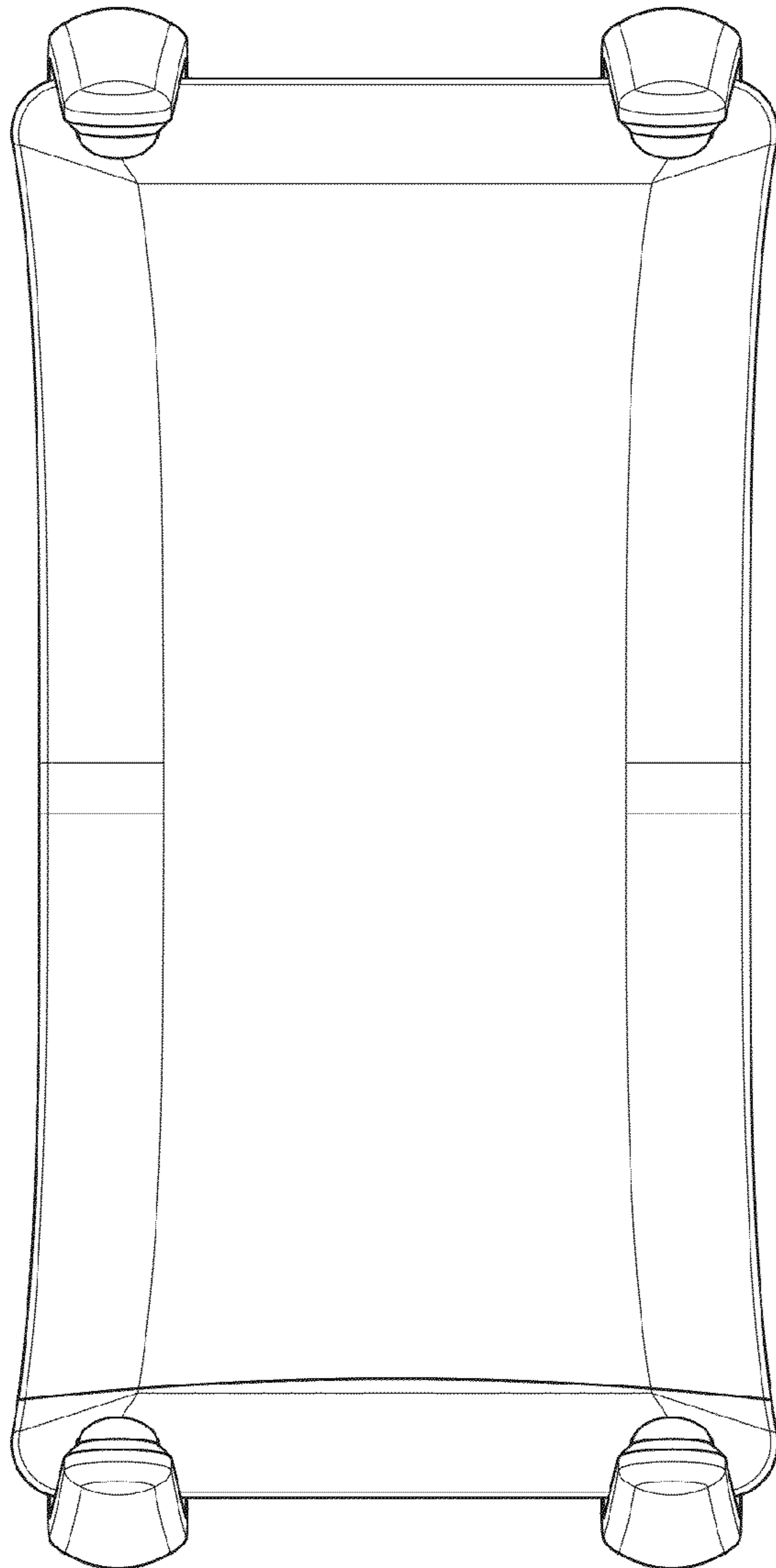
*FIG. 3*



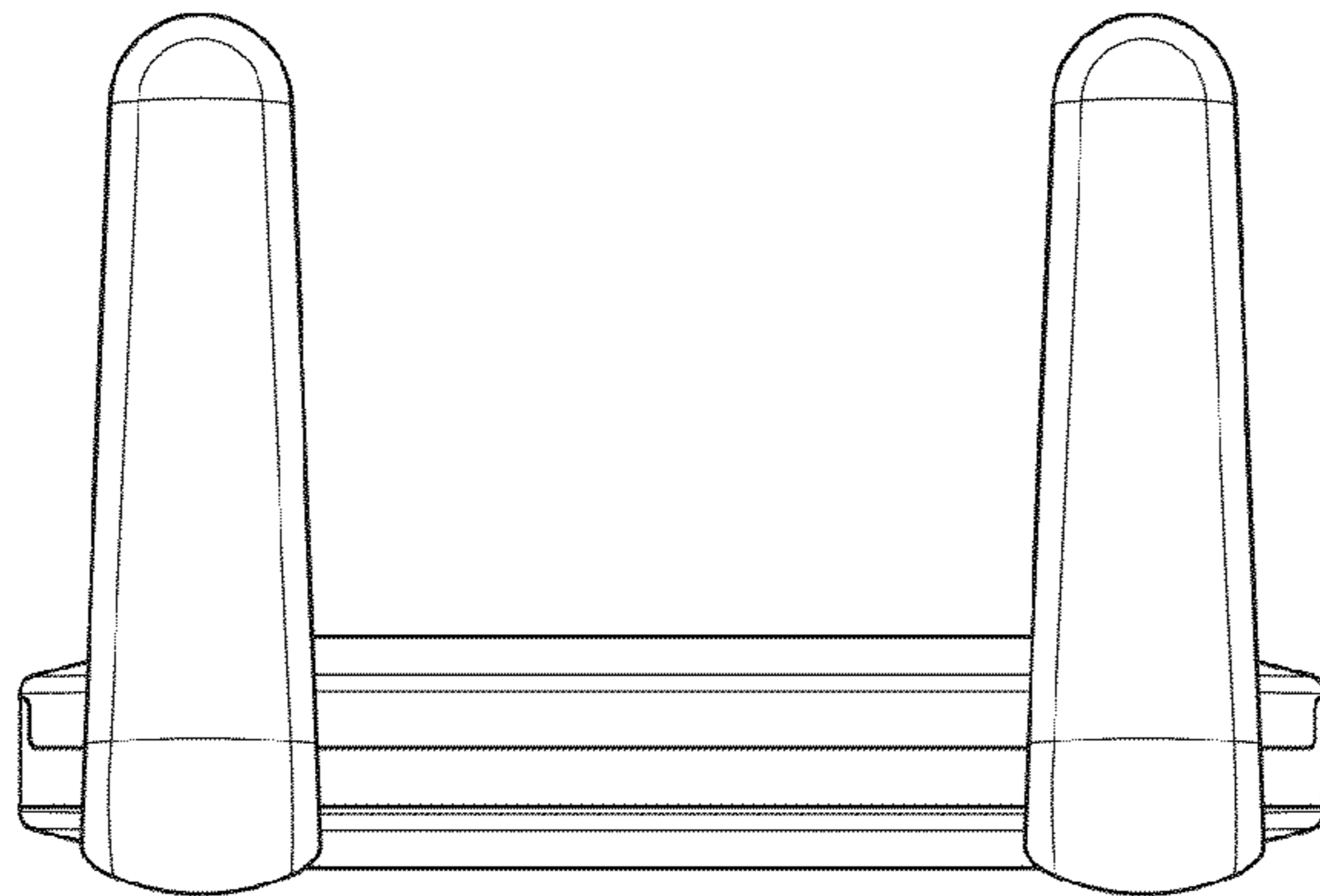
*FIG. 4*



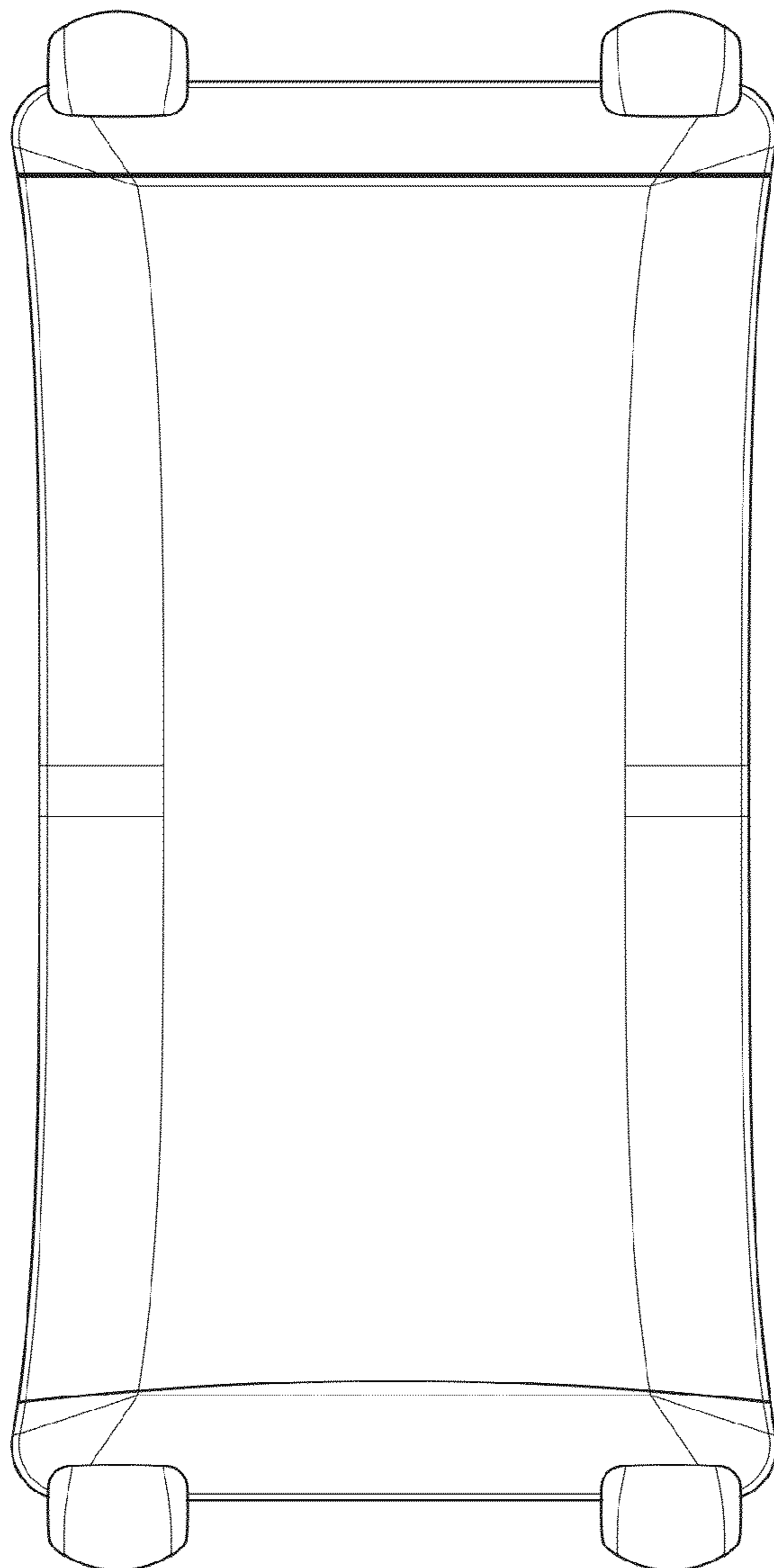
*FIG. 5*



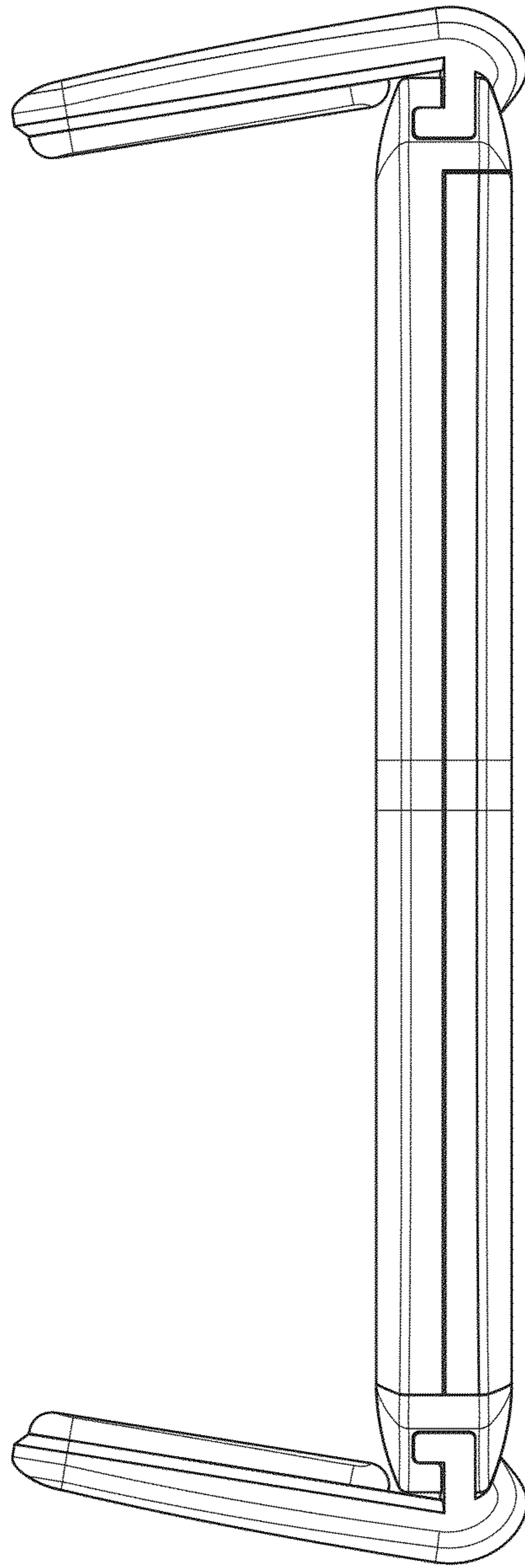
*FIG. 6*



*FIG. 7*



*FIG. 8*



*FIG. 9*