



US00D750058S

(12) **United States Design Patent**
Choi et al.

(10) **Patent No.:** **US D750,058 S**
(45) **Date of Patent:** **** Feb. 23, 2016**

(54) **COVER FOR PORTABLE ELECTRONIC COMMUNICATION DEVICE**

D656,135 S * 3/2012 Swartz D14/238.1
D670,279 S * 11/2012 Veltz D14/250
D675,604 S * 2/2013 Limber D14/250

(71) Applicant: **Samsung Electronics Co., Ltd.**,
Suwon-si (KR)

(Continued)

(72) Inventors: **Kwangha Choi**, Seoul (KR);
Junghyuck Im, Yongin-si (KR); **Jinsoo Kim**,
Yongin-si (KR)

Primary Examiner — Robert M Spear

Assistant Examiner — Ryan Harvey

(74) *Attorney, Agent, or Firm* — NSIP Law

(73) Assignee: **Samsung Electronics Co., Ltd.**,
Suwon-si (KR)

(57) **CLAIM**

(**) Term: **14 Years**

We claim the ornamental design for a cover for portable electronic communication device, as shown and described.

(21) Appl. No.: **29/513,460**

DESCRIPTION

(22) Filed: **Dec. 31, 2014**

(30) **Foreign Application Priority Data**

Aug. 29, 2014 (KR) 30-2014-0042388

(51) **LOC (10) Cl.** **14-03**

(52) **U.S. Cl.**
USPC **D14/250**

(58) **Field of Classification Search**

USPC D14/250, 341, 486, 252, 248, 217, 251,
D14/496, 253, 138 AD, 138 G, 346, 138 C,
D14/138 R, 138 AA, 202; D3/218, 203.2,
D3/201; D13/108, 103; 446/72; 455/559,
455/575.8, 556.1, 575.1, 90.3, 128; 439/39,
439/660; 361/679.56, 679.3, 679.55,
361/679.57; 312/223.1, 351.1; 248/689,
248/351, 465; 206/320, 37, 45.24, 316.2,
206/701, 811; 264/328.1; 29/428; 345/173;
220/212, 560, 622, 692, 782, 784, 788;
292/294, 301, DIG. 47

CPC Y10T 29/49826; A45C 11/00; A45C
2011/002; H04B 1/3888; G06F 1/1626

See application file for complete search history.

FIG. 1 is a front perspective view of a cover for portable electronic communication device showing our new design;

FIG. 2 is a front view thereof;

FIG. 3 is a rear view thereof;

FIG. 4 is a left-side view thereof;

FIG. 5 is a right-side view thereof;

FIG. 6 is a top view thereof;

FIG. 7 is a bottom view thereof;

FIG. 8 is an enlarged detail view of the encircled portion shown in FIG. 6; and,

FIG. 9 is another front perspective view in which a portable electronic device and a stylus pen in short dash-dash broken lines are provided to illustrate an example environment.

The short dash-dash broken lines showing of portions of the cover for portable electronic communication device in the figures form no part of the claimed design.

The short dash-dash broken lines showing of the portable electronic device and the stylus pen in FIG. 9 are for the purpose of illustrating environmental structure and form no part of the claimed design.

The dot-dash broken lines in the figures represent an unclaimed boundary of the claim and form no part of the claimed design.

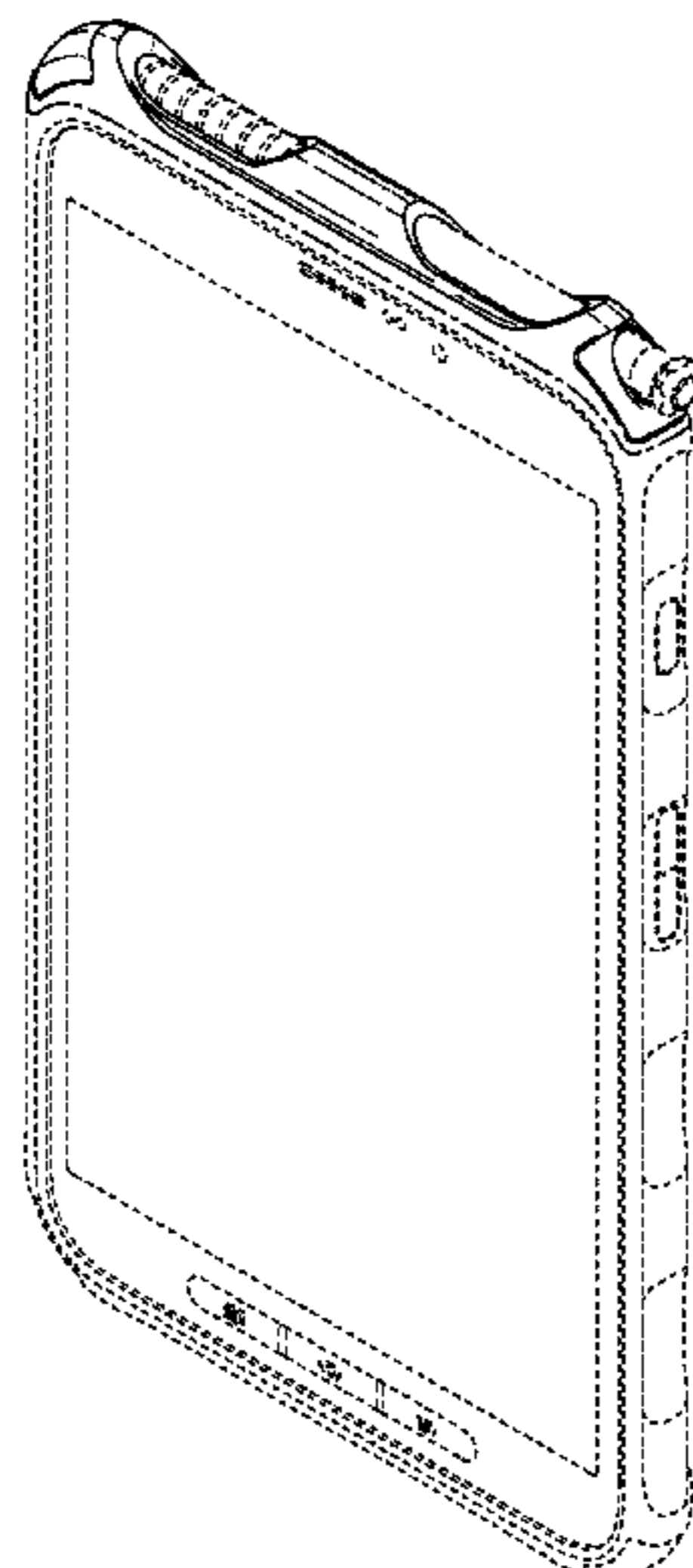
In FIGS. 6 and 8, the dot-dot-dash broken lines encircling portions of the claimed design that are illustrated in enlarged detail form no part of the claimed design.

(56) **References Cited**

U.S. PATENT DOCUMENTS

D577,904 S * 10/2008 Sasaki D3/201

1 Claim, 9 Drawing Sheets



(56)

References Cited

U.S. PATENT DOCUMENTS

D682,260 S *	5/2013	Tages	D14/250	D706,754 S *	6/2014	Goradesky	D14/250
D684,150 S *	6/2013	Goradesky	D14/250	D716,312 S *	10/2014	Fujioka	D14/440
D685,357 S *	7/2013	Rekuc	D14/250	D718,757 S *	12/2014	Jaffee	D14/250
D685,361 S *	7/2013	Goradesky	D14/250	D718,758 S *	12/2014	Jaffee	D14/250
D688,233 S *	8/2013	Dong	D14/250	D719,947 S *	12/2014	Kobayashi	D14/250
D694,742 S *	12/2013	Pan	D14/250	D728,549 S *	5/2015	Su	D14/250
D697,060 S *	1/2014	Yang	D14/250	D729,786 S *	5/2015	Lee	D14/250
D698,775 S *	2/2014	Huang	D14/250	D731,472 S *	6/2015	Lee	D14/250
D699,716 S *	2/2014	Pan	D14/250	D733,696 S *	7/2015	Burgett	D14/250
D706,256 S *	6/2014	Ward	D14/250	D737,263 S *	8/2015	Armstrong	D14/250
				2012/0325720 A1 *	12/2012	Tages	G06F 1/1633 206/522

* cited by examiner

FIG. 1

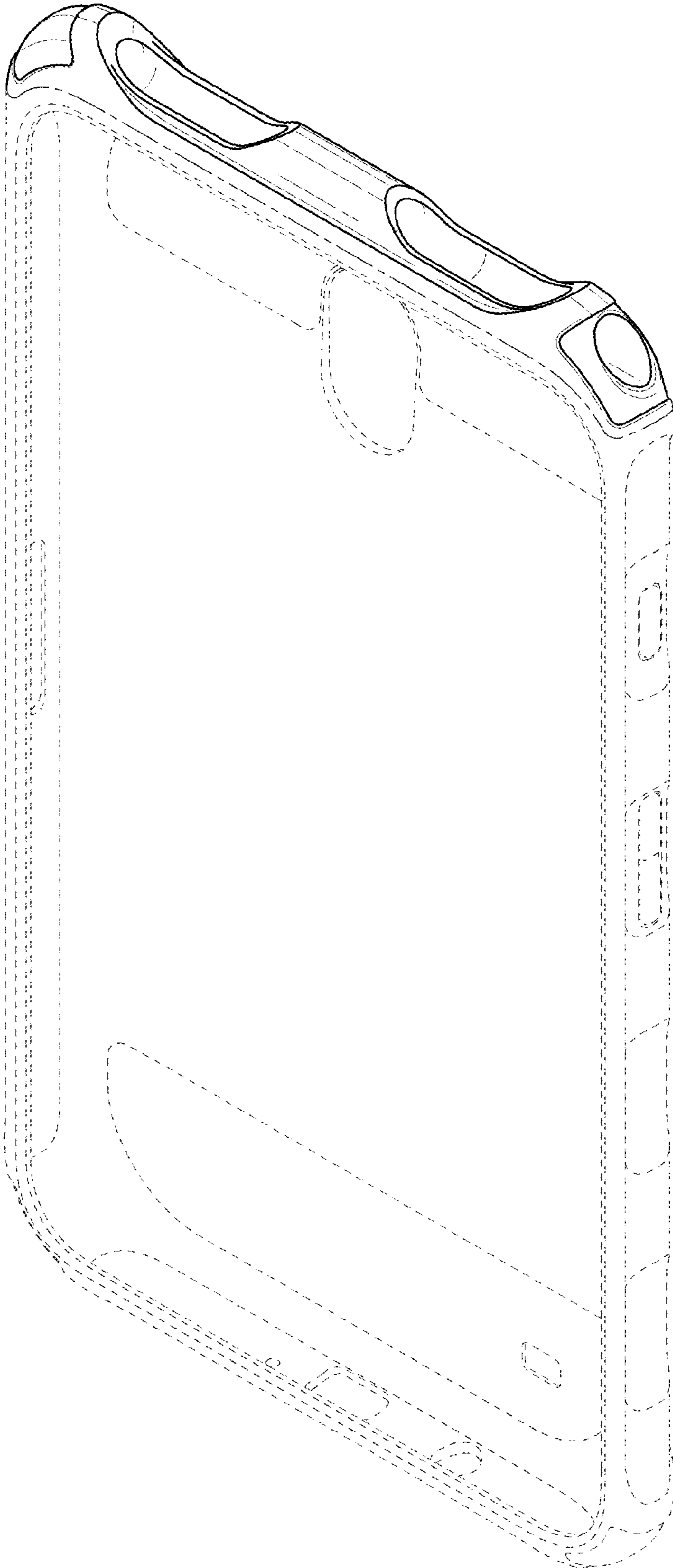


FIG. 2

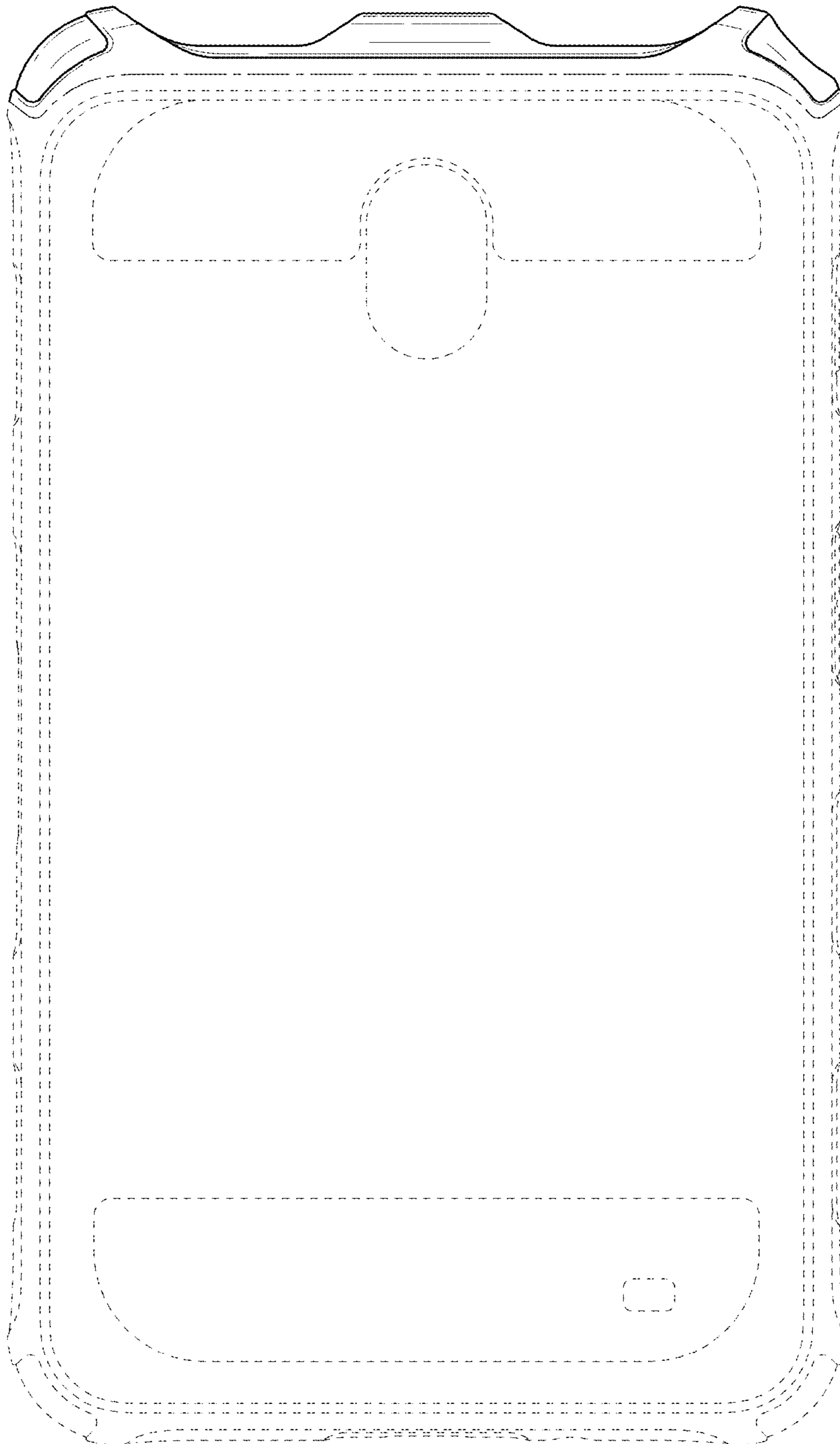


FIG. 3

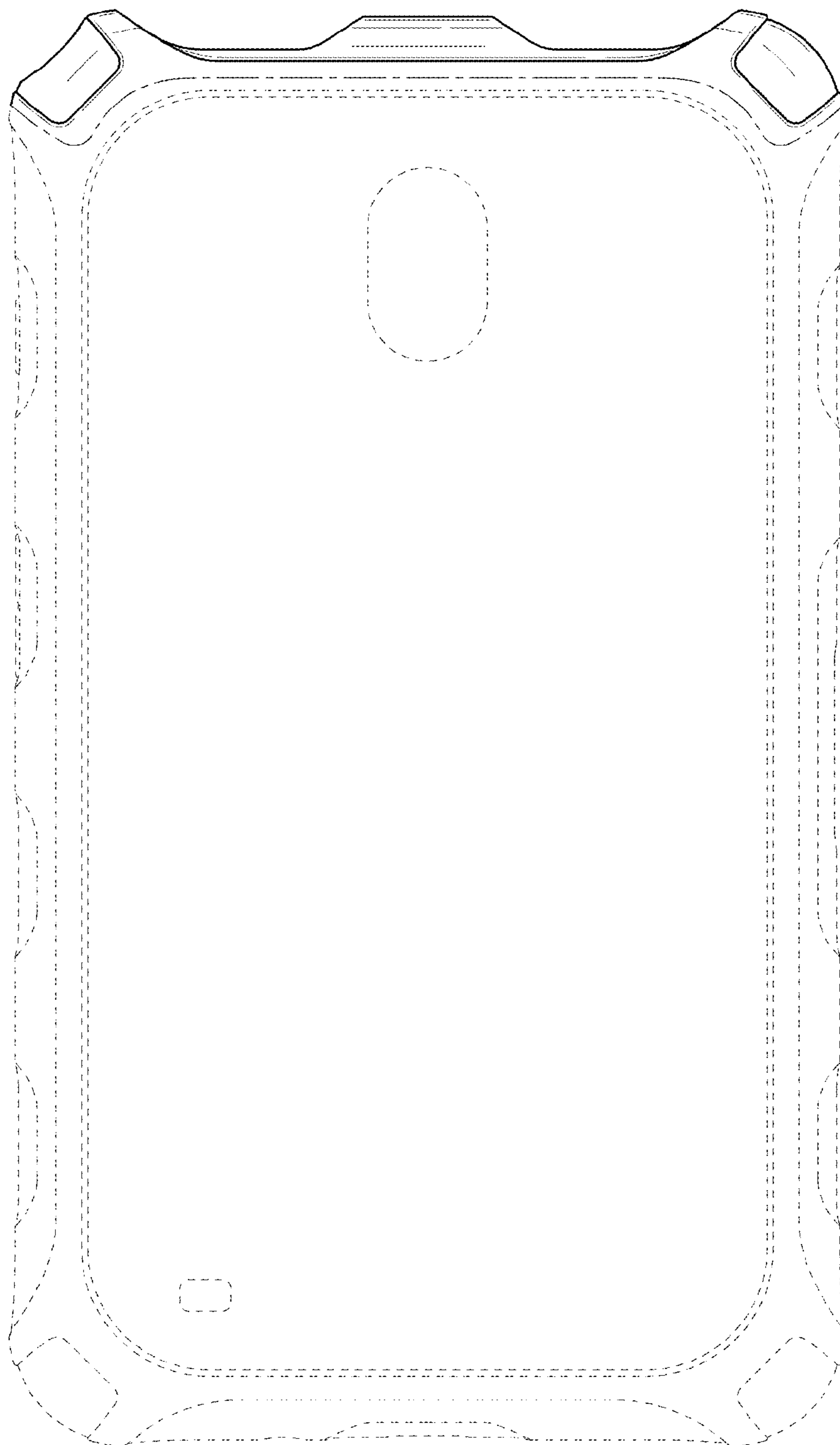


FIG. 4

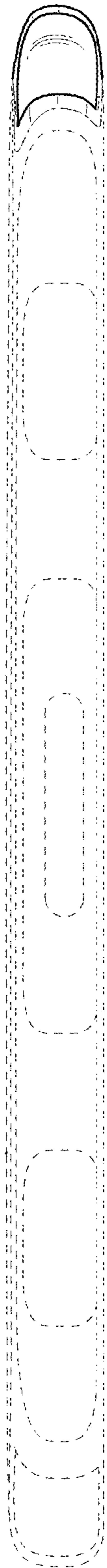


FIG. 5



FIG. 6

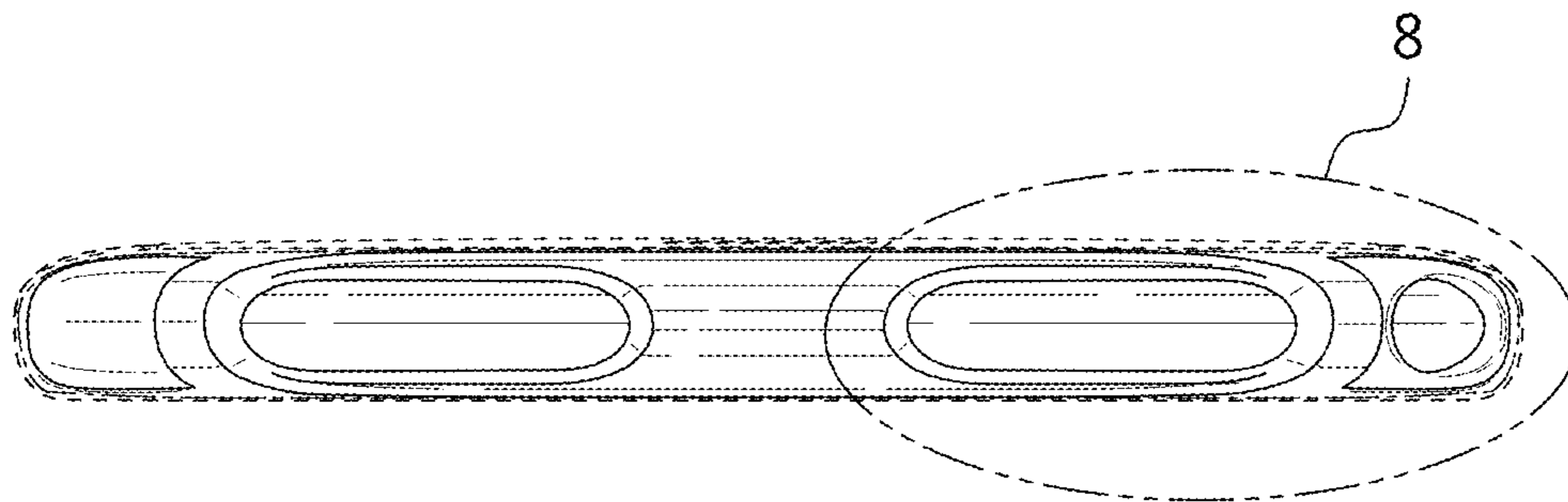


FIG. 7

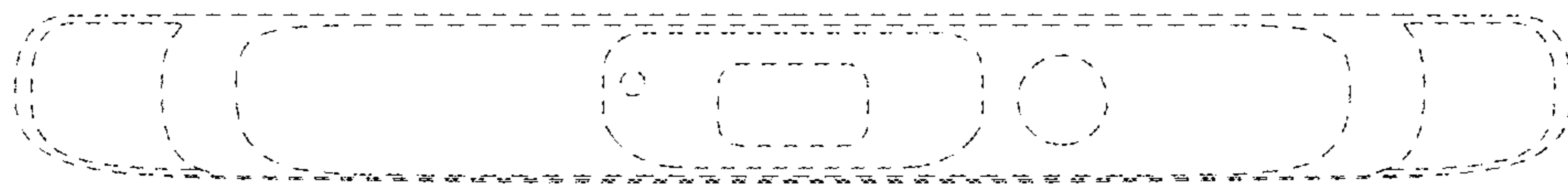


FIG. 8

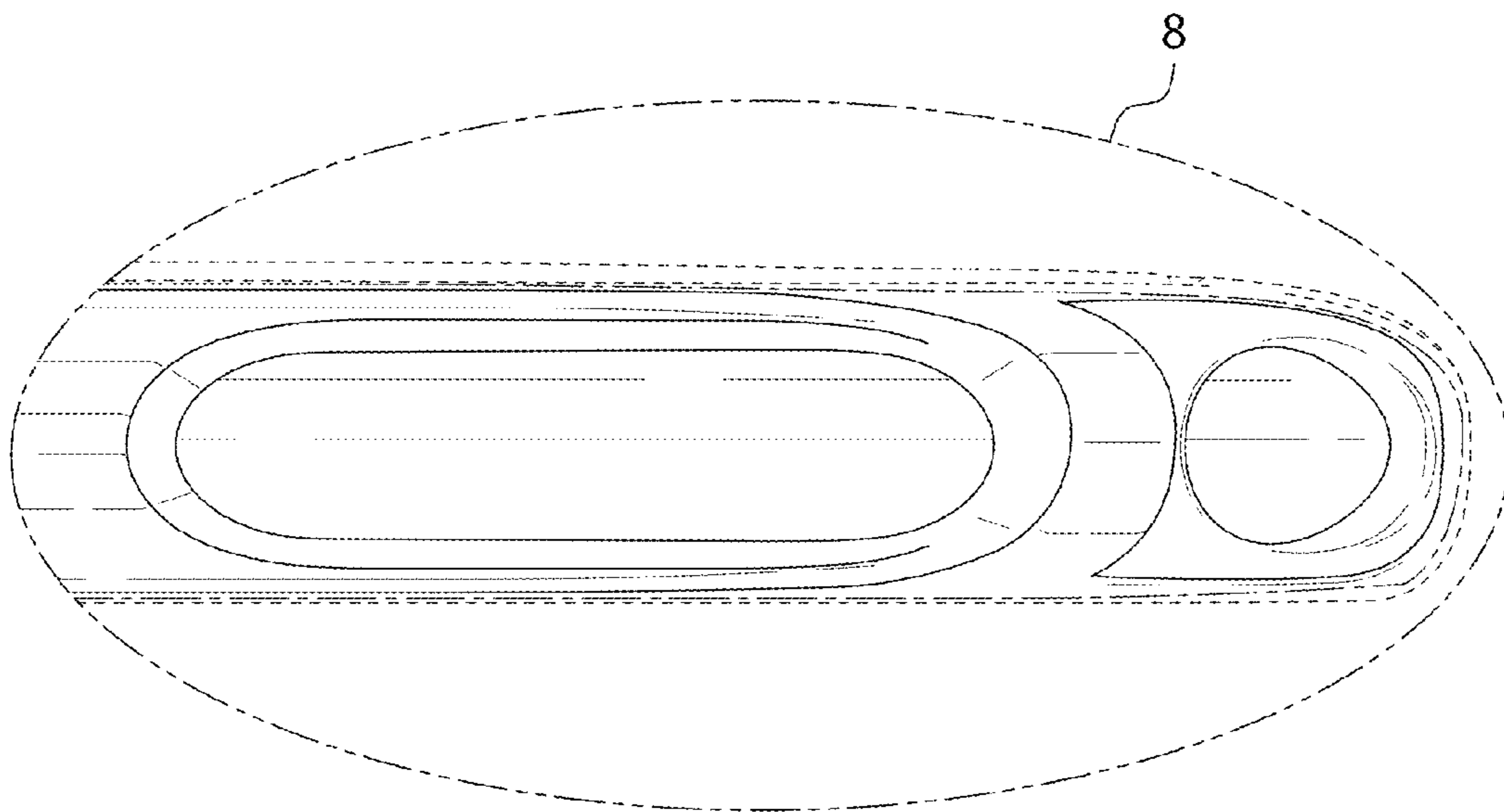


FIG. 9

