



US00D750057S

(12) **United States Design Patent**  
**Rhoades**

(10) **Patent No.:** **US D750,057 S**  
(45) **Date of Patent:** **\*\* Feb. 23, 2016**

- (54) **PERSONAL MOBILE DEVICE RADIATION SHIELD**
- (71) Applicant: **Jason Rhoades**, San Diego, CA (US)
- (72) Inventor: **Jason Rhoades**, San Diego, CA (US)
- (\*\*) Term: **14 Years**
- (21) Appl. No.: **29/461,563**
- (22) Filed: **Jul. 24, 2013**
- (51) **LOC (10) Cl.** ..... **14-03**
- (52) **U.S. Cl.**  
USPC ..... **D14/250**
- (58) **Field of Classification Search**  
USPC ..... D14/250–253, 440, 203.3–203.7, 217, D14/496, 248, 238.1, 240, 447; D3/201, D3/218, 269, 301, 273, 303; D13/103, D13/107–108; 220/4.02; 248/309.1; 361/679.56; 379/426, 433.11, 455; 455/575.1, 575.8; 190/100; 206/305, 206/320  
CPC .. A45C 201/002; A45C 11/00; A45C 13/002; A45C 2011/003; H04M 1/0283; H04M 1/0202  
See application file for complete search history.

(56) **References Cited**

**U.S. PATENT DOCUMENTS**

D257,912	S	*	1/1981	Kuen-Yi	.....	D3/303
5,338,896	A	*	8/1994	Danforth	.....	174/380
5,358,208	A	*	10/1994	Moseley et al.	.....	248/441.1
5,444,866	A	*	8/1995	Cykiert	.....	455/575.5
D381,197	S	*	7/1997	Green et al.	.....	D3/201
5,726,383	A	*	3/1998	Geller et al.	.....	174/380
5,777,261	A	*	7/1998	Katz	.....	174/380
D408,826	S	*	4/1999	Gargas et al.	.....	D14/250
D413,606	S	*	9/1999	Gargas et al.	.....	D14/250
D462,072	S	*	8/2002	Kunz et al.	.....	D14/250

6,576,832	B2	*	6/2003	Svarfvar et al.	.....	174/392
6,711,387	B1	*	3/2004	Lungley	.....	455/90.3
D524,051	S	*	7/2006	Krueger	.....	D3/303
D559,850	S	*	1/2008	Lye et al.	.....	D14/447
7,327,841	B2	*	2/2008	Schreiber et al.	.....	379/446
D580,432	S	*	11/2008	Yun et al.	.....	D14/345
D628,374	S	*	12/2010	Lee et al.	.....	D3/201
D635,354	S	*	4/2011	Uchida	.....	D3/218
D684,366	S	*	6/2013	Phillips et al.	.....	D3/301
D691,794	S	*	10/2013	Curran-Blaney et al.	.....	D3/218
D714,054	S	*	9/2014	Kershenstein	.....	D3/269
8,919,549	B1	*	12/2014	Tashjian	.....	206/320

\* cited by examiner

*Primary Examiner* — Carla Jobe Wright

*Assistant Examiner* — Holly E Thurman

(74) *Attorney, Agent, or Firm* — QuickPatents; Kevin Prince

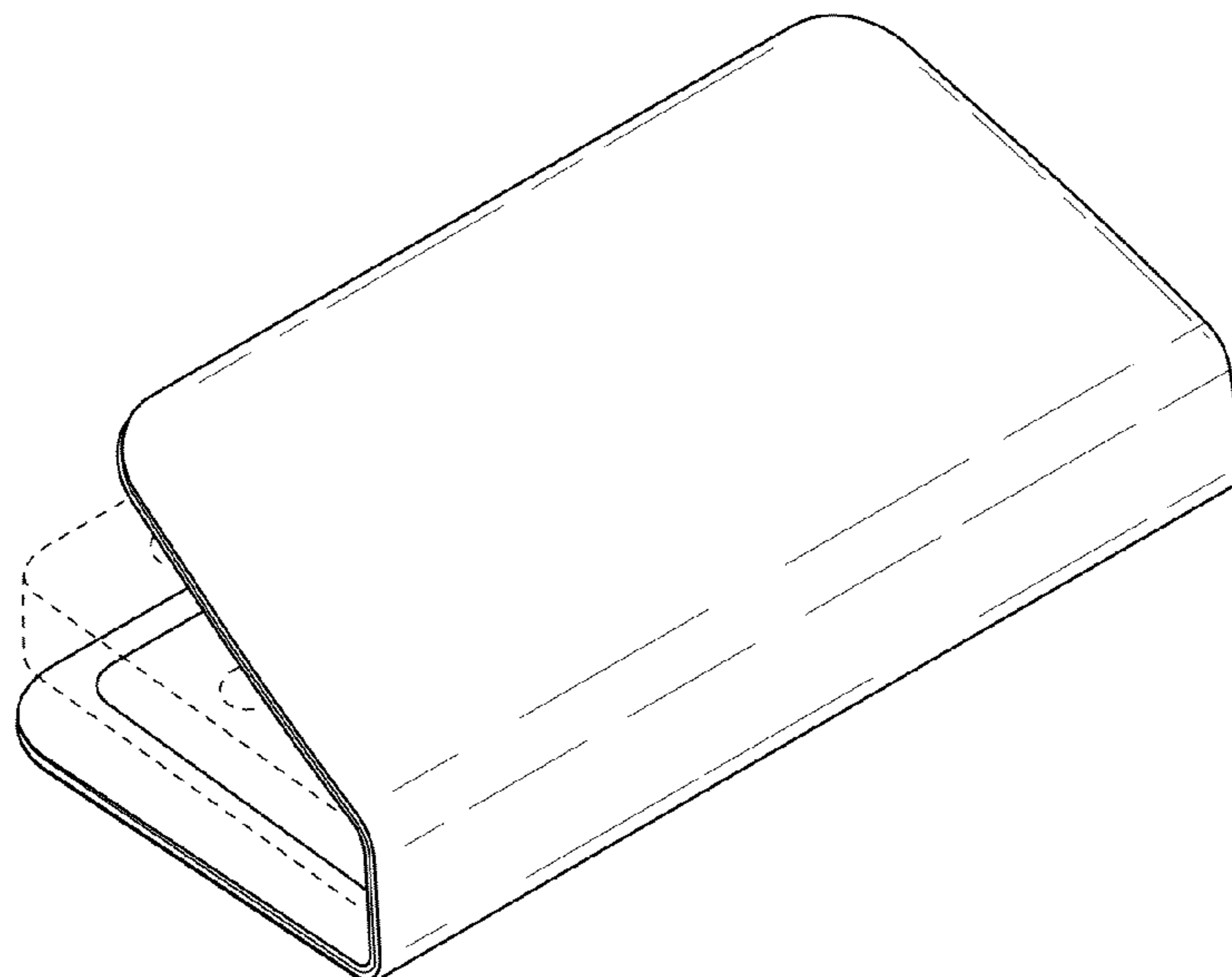
(57) **CLAIM**

I claim the ornamental design for a personal mobile device radiation shield, as shown and described.

**DESCRIPTION**

FIG. 1 is a perspective view of a personal mobile device radiation shield, showing my new design;  
 FIG. 2 is a bottom plan view thereof;  
 FIG. 3 is a top plan view thereof;  
 FIG. 4 is a right-side elevational view thereof, the left-side elevational view being a mirror image thereof;  
 FIG. 5 is a cross-sectional view thereof as seen along line 5-5 of FIG. 3;  
 FIG. 6 is a rear elevational view thereof; and,  
 FIG. 7 is a front elevational view thereof.  
 The broken lines showing a mobile device in FIGS. 1 and 4 depict environmental subject matter only that forms no part of the claimed design. The broken lines in FIG. 5 depict the internal structure of the radiation shield that forms no part of the claim.

**1 Claim, 2 Drawing Sheets**



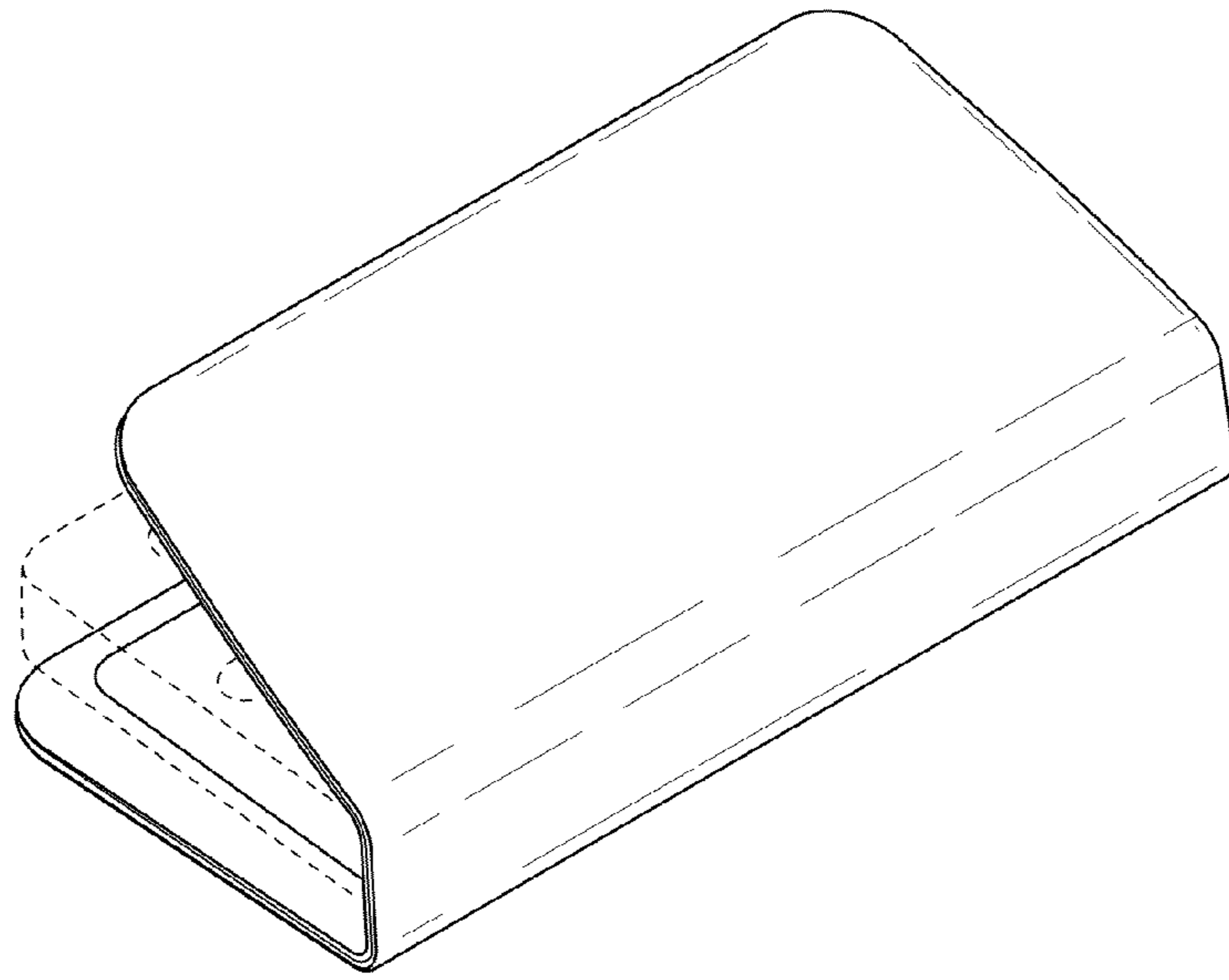


FIG. 1

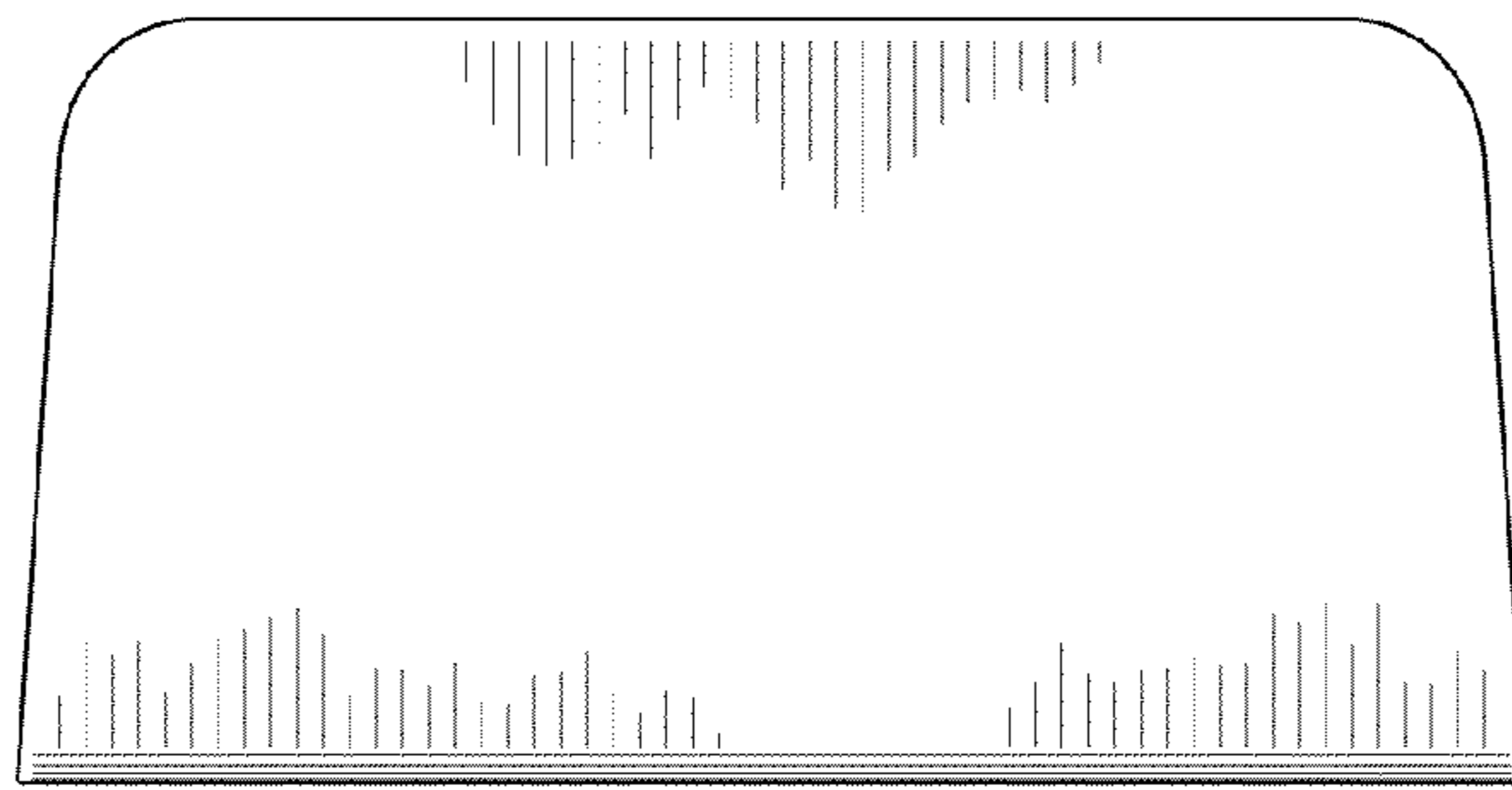


FIG. 2

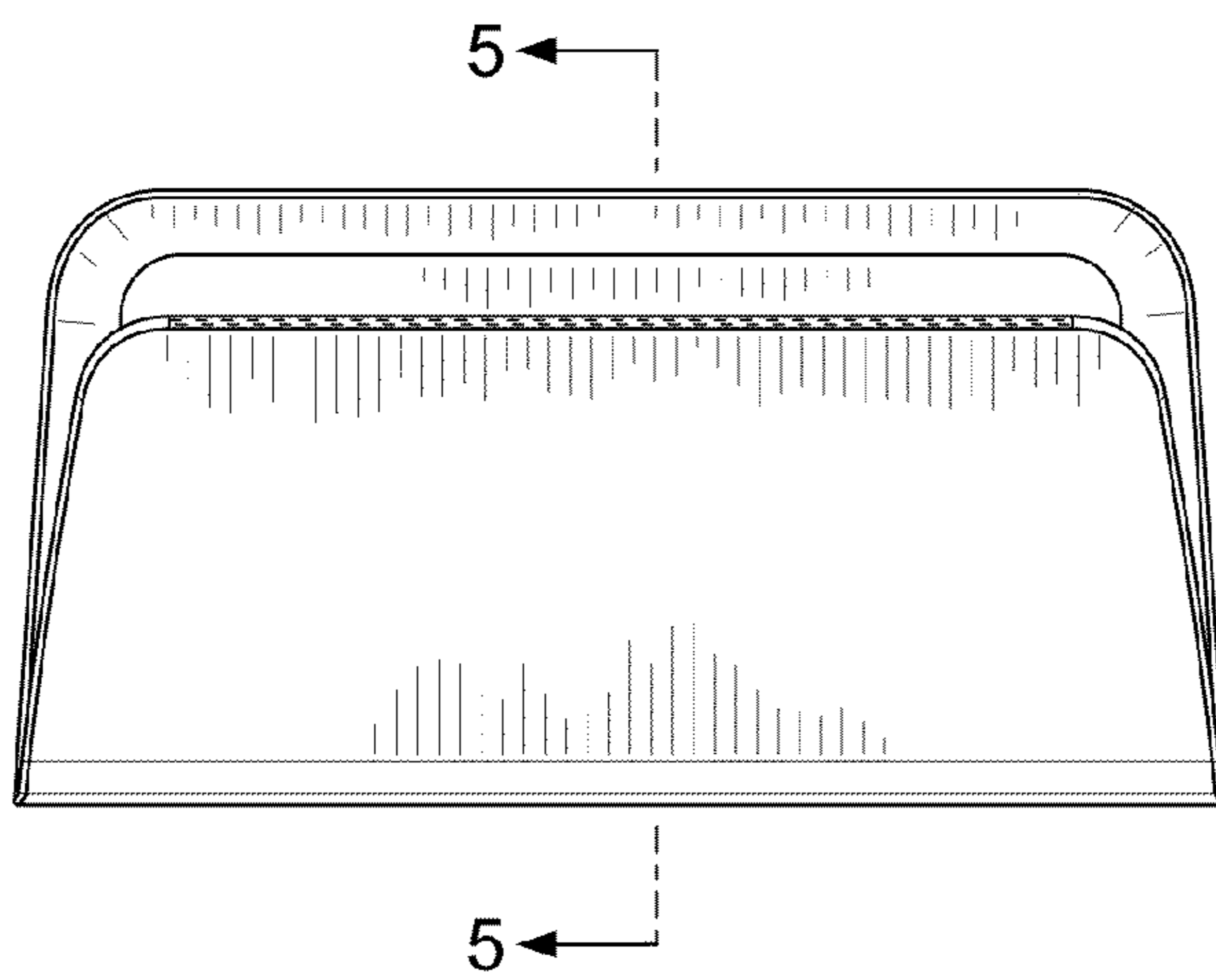


FIG. 3

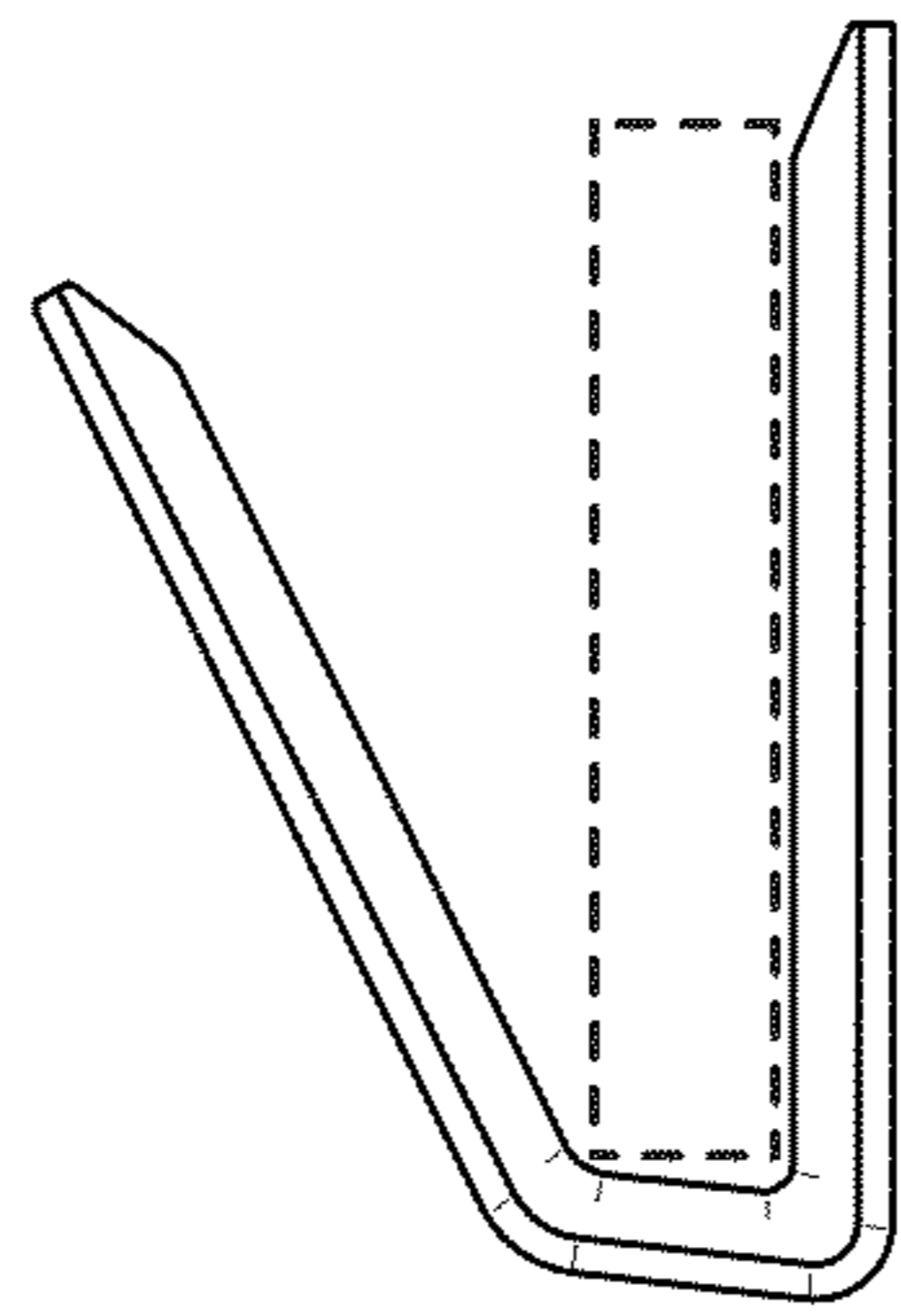


FIG. 4

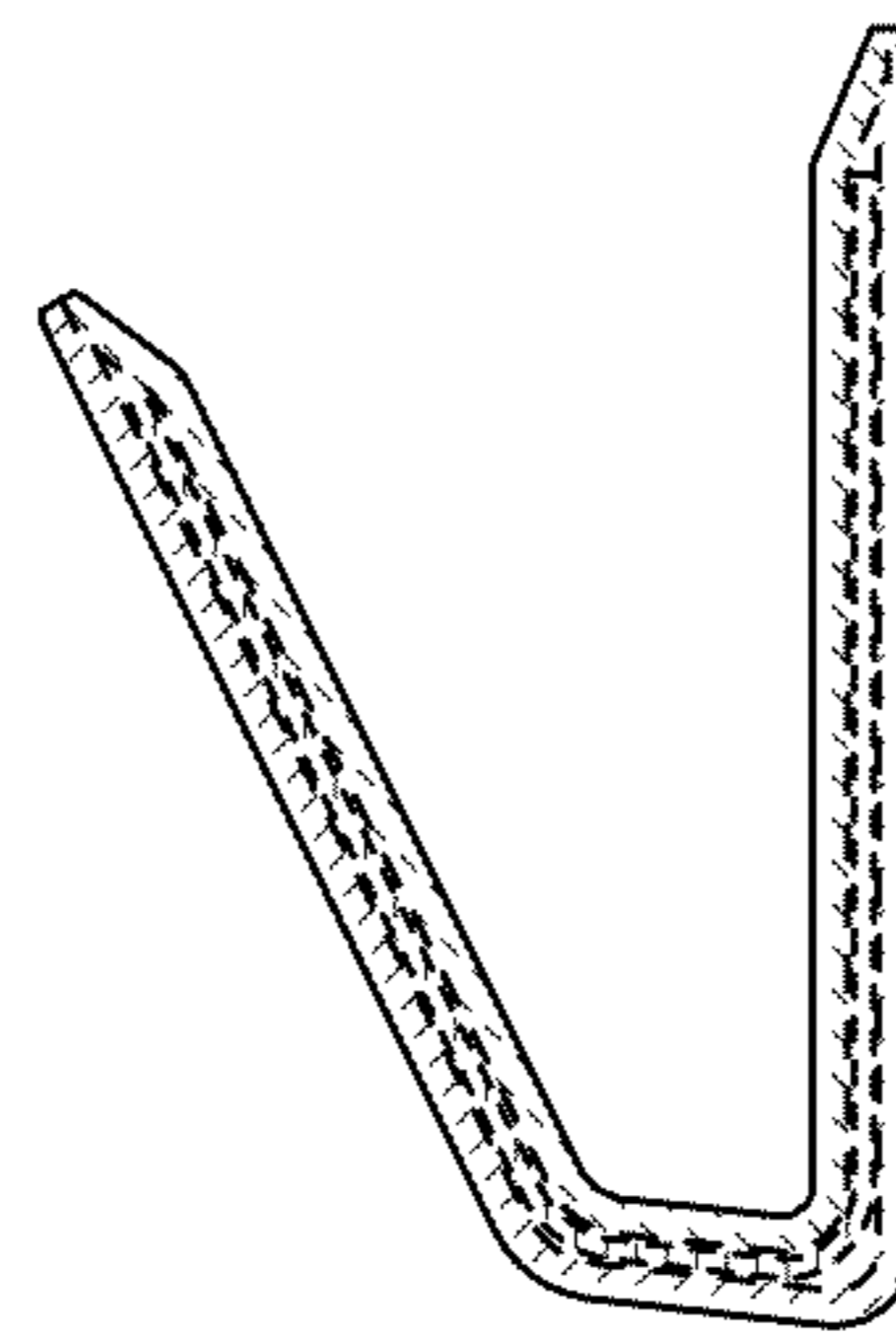


FIG. 5

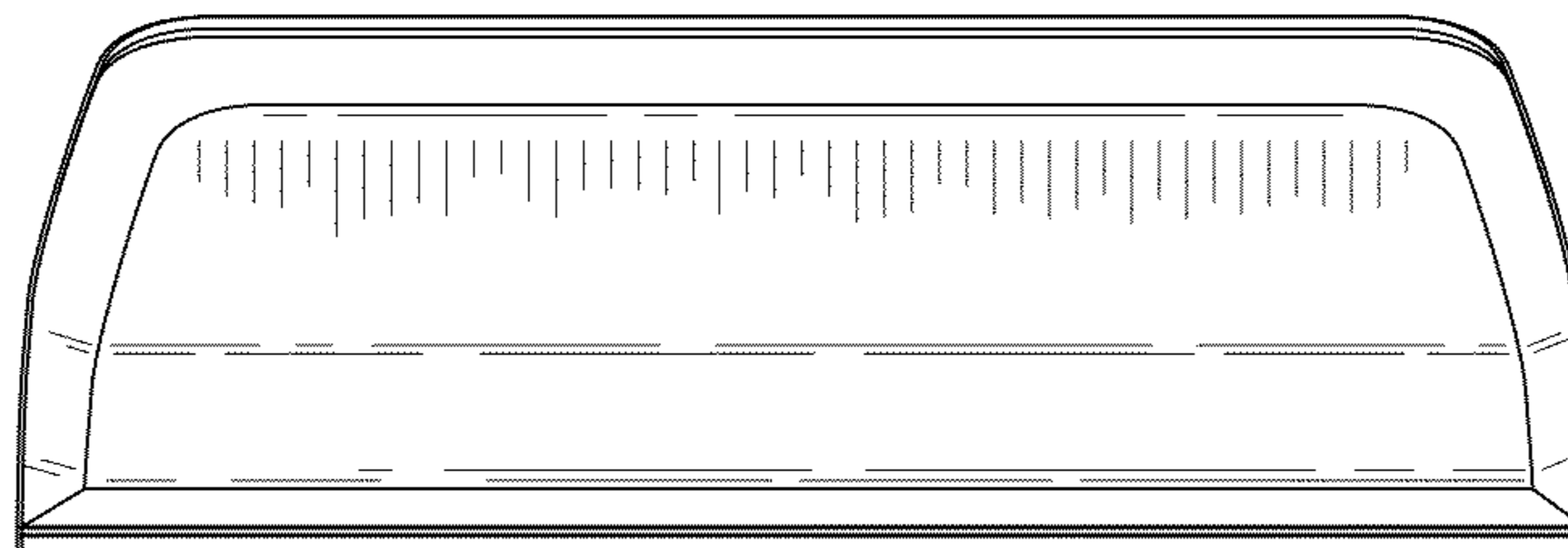


FIG. 6

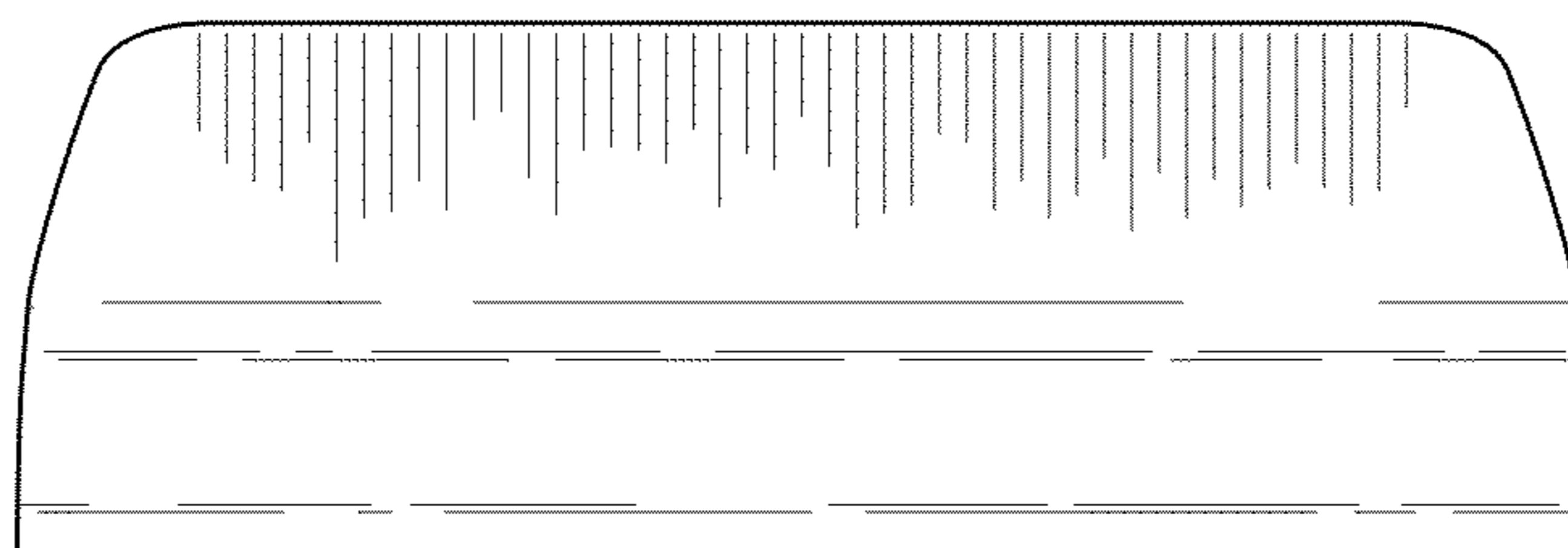


FIG. 7