



US00D750053S

(12) **United States Design Patent**
Shin et al.

(10) **Patent No.:** **US D750,053 S**

(45) **Date of Patent:** **** Feb. 23, 2016**

(54) **TELEVISION RECEIVER**

(71) Applicant: **Samsung Electronics Co., Ltd.**,
Suwon-si, Gyeonggi-do (KR)

(72) Inventors: **Rina Shin**, Seoul (KR); **Hyung-Ho Hwangbo**, Seoul (KR); **Hae-Sung Park**, Seoul (KR); **Christopher Edward Bangle**, Clavesana (IT)

(73) Assignee: **SAMSUNG ELECTRONICS CO., LTD.** (KR)

(**) Term: **14 Years**

(21) Appl. No.: **29/472,267**

(22) Filed: **Nov. 11, 2013**

(30) **Foreign Application Priority Data**

May 11, 2013 (KR) 30-2013-0024890

(51) **LOC (10) Cl.** **14-03**

(52) **U.S. Cl.**
USPC **D14/239**

(58) **Field of Classification Search**
USPC D14/371–382, 125–134, 239, 448–452,
D14/136, 341, 479, 389, 397, 308, 412, 157,
D14/155, 511, 432, 498, 138 AD, 336, 337,
D14/447; 361/679.02; 348/836, 838, 180,
348/184, 325, 739; 248/917–924, 465;
345/104; D6/300, 301, 302, 308,
D6/310–314; D21/392; D18/18; D19/113
CPC G01F 1/1601
See application file for complete search history.

(56) **References Cited**

U.S. PATENT DOCUMENTS

D408,383 S * 4/1999 Carter et al. D14/374
D523,828 S * 6/2006 Hoehn et al. D14/126
D524,312 S * 7/2006 Young D14/375

D533,155 S * 12/2006 Nakata D14/126
D545,782 S * 7/2007 Schiller et al. D14/126
D569,815 S * 5/2008 Otani D14/126
D626,925 S * 11/2010 Li D14/126
D651,212 S * 12/2011 Bakhreiba et al. D14/443
D654,450 S * 2/2012 McManigal et al. D14/129
D661,266 S * 6/2012 Laube et al. D14/126
D661,671 S * 6/2012 Laube et al. D14/126
D691,818 S * 10/2013 Shibata et al. D6/308
D715,756 S * 10/2014 Lim et al. D14/126

* cited by examiner

Primary Examiner — Susan Bennett Hattan

Assistant Examiner — Brett Miller

(74) *Attorney, Agent, or Firm* — Cantor Colburn LLP

(57) **CLAIM**

The ornamental design for a television receiver, as shown and described.

DESCRIPTION

FIG. 1 is a perspective view of a television receiver, showing our new design;

FIG. 2 is a front view thereof;

FIG. 3 is a rear view thereof;

FIG. 4 is a side view thereof;

FIG. 5 is another side view thereof;

FIG. 6 is a top plan view thereof;

FIG. 7 is a bottom plan view thereof;

FIG. 8 is a rear perspective view thereof;

FIG. 9 is an enlarged detail view taken from FIG. 5

FIG. 10 is an enlarged view of the portion 10 in FIG. 5; and,

FIG. 11 is an enlarged view of the encircle portion in FIG. 1.

The broken lines are for environmental purpose only and form no part of the claimed design.

The dot-dash lines define boundaries of the claimed design and form no part of claimed design.

The dot-dot-dash broken lines identifying portions of the claimed design form no part of the claimed design.

The shade lines in the figures show contour and not surface ornamentation.

1 Claim, 9 Drawing Sheets

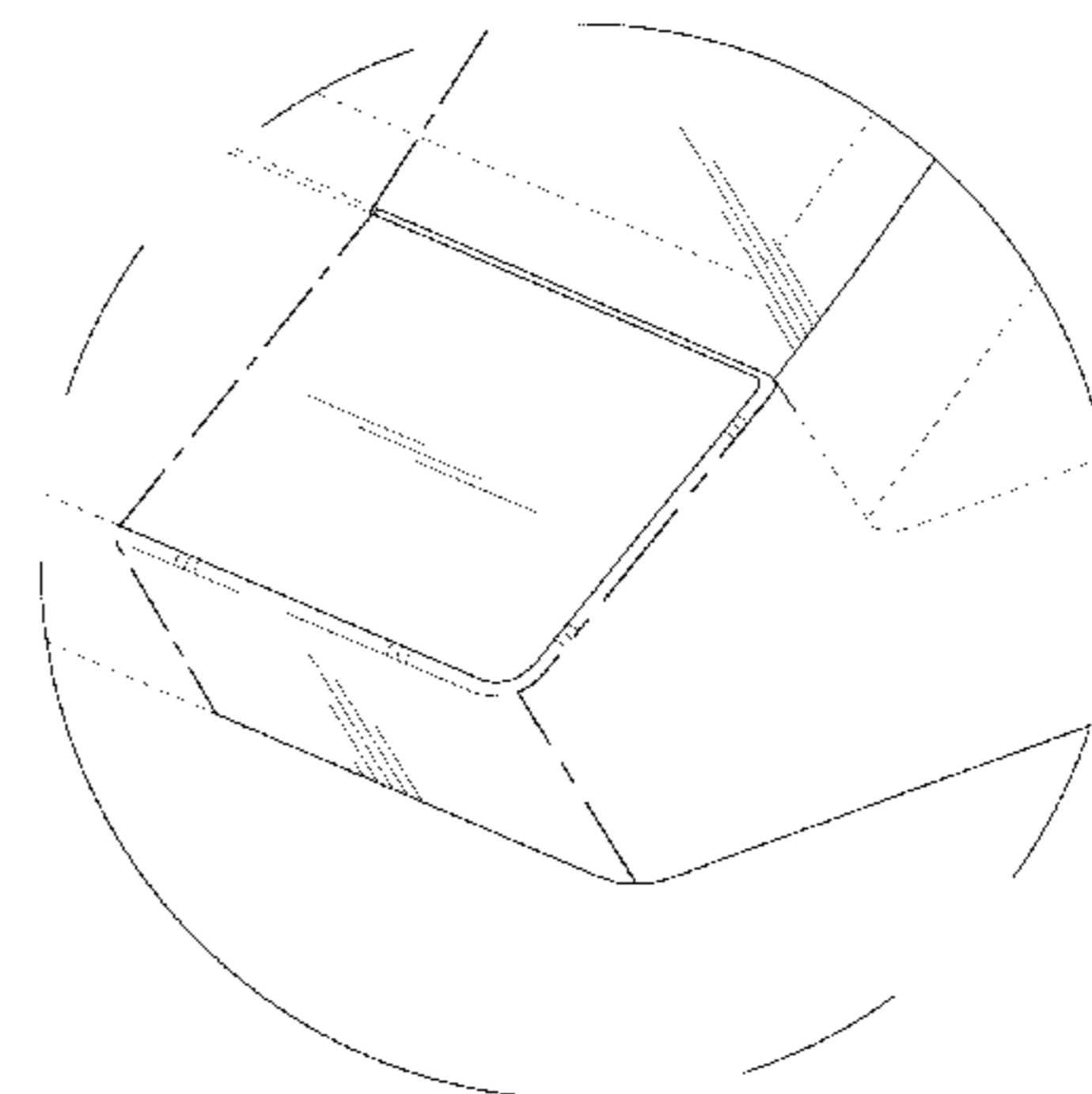
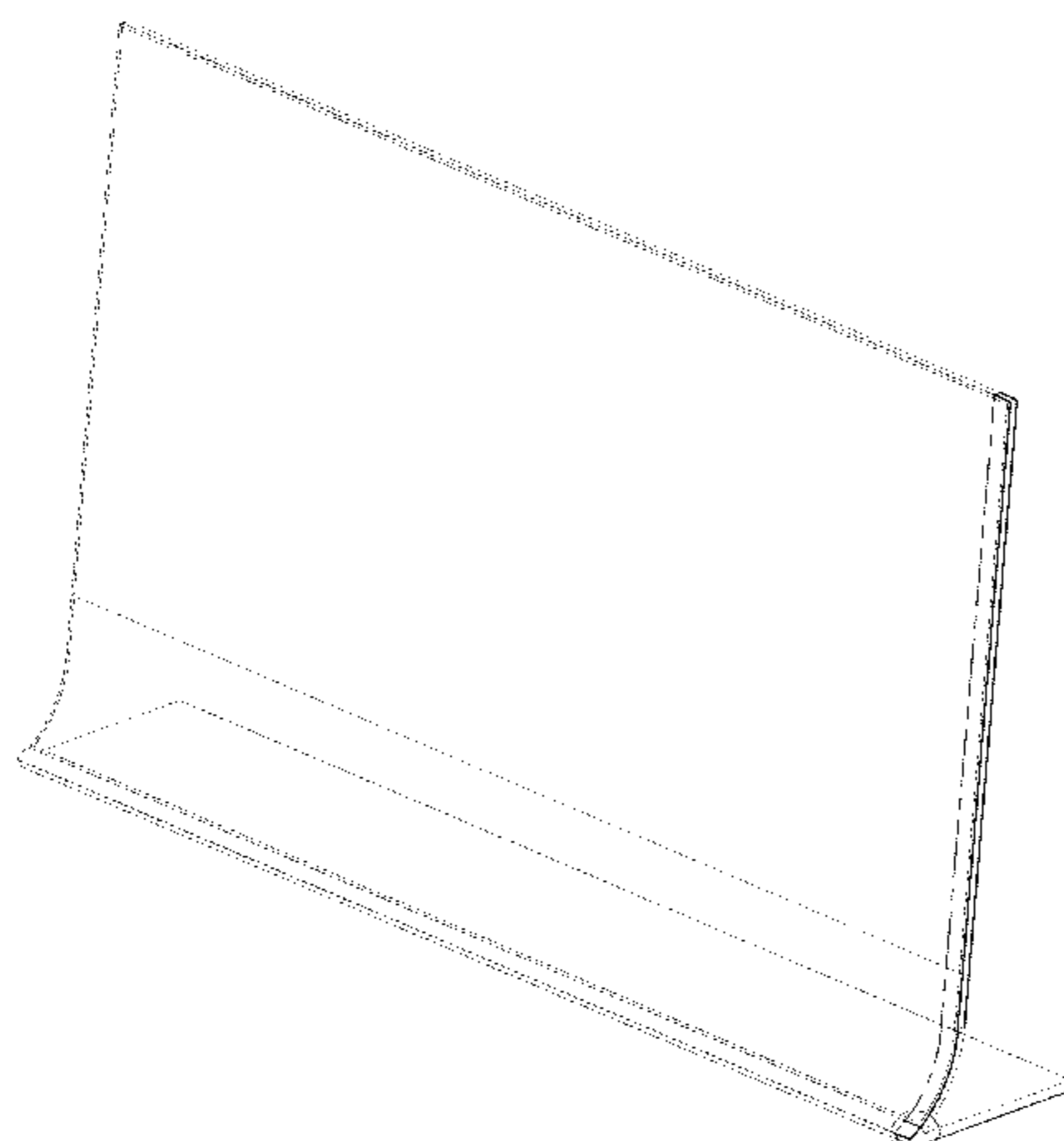


FIG. 1

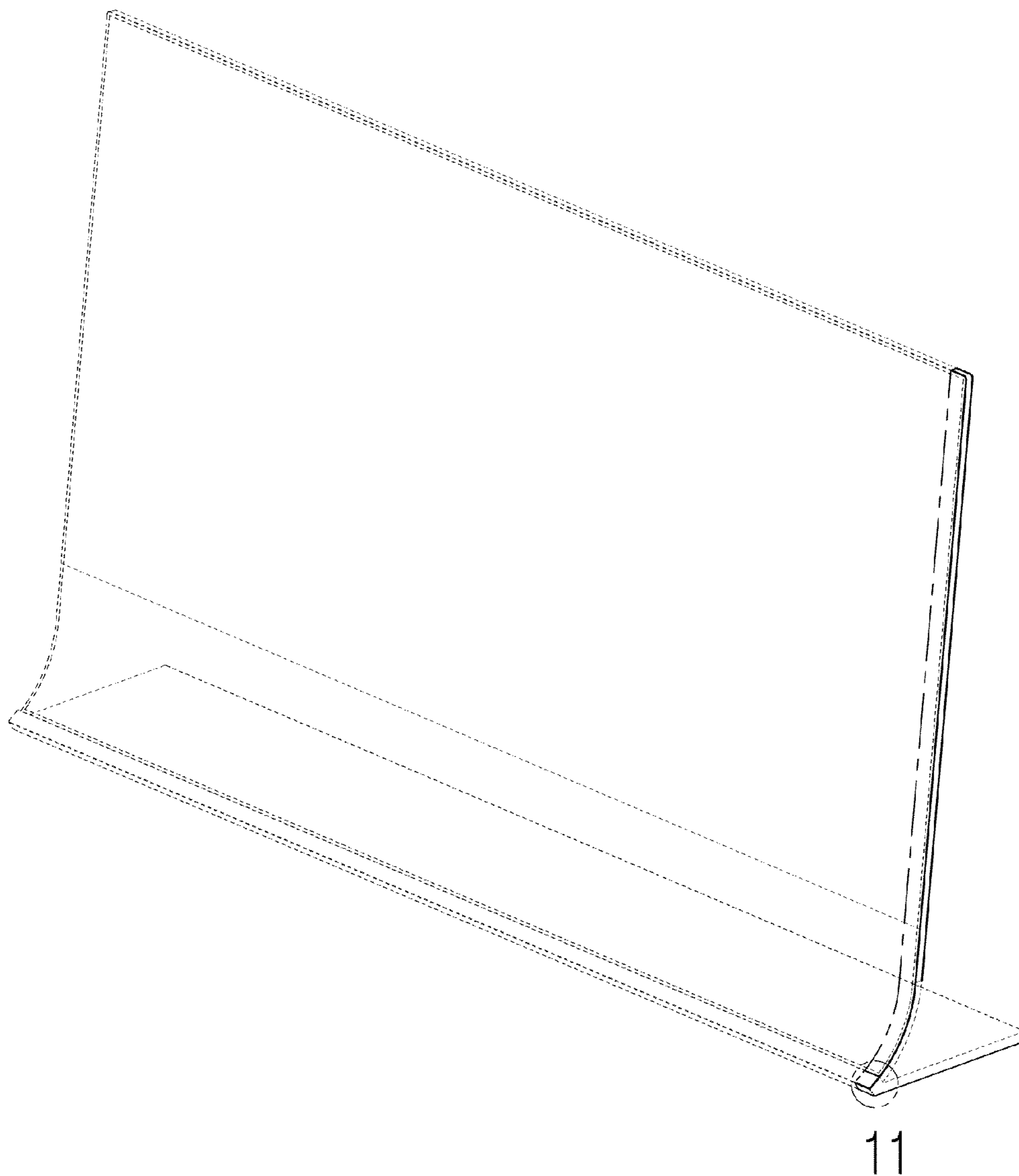


FIG. 2



FIG. 3

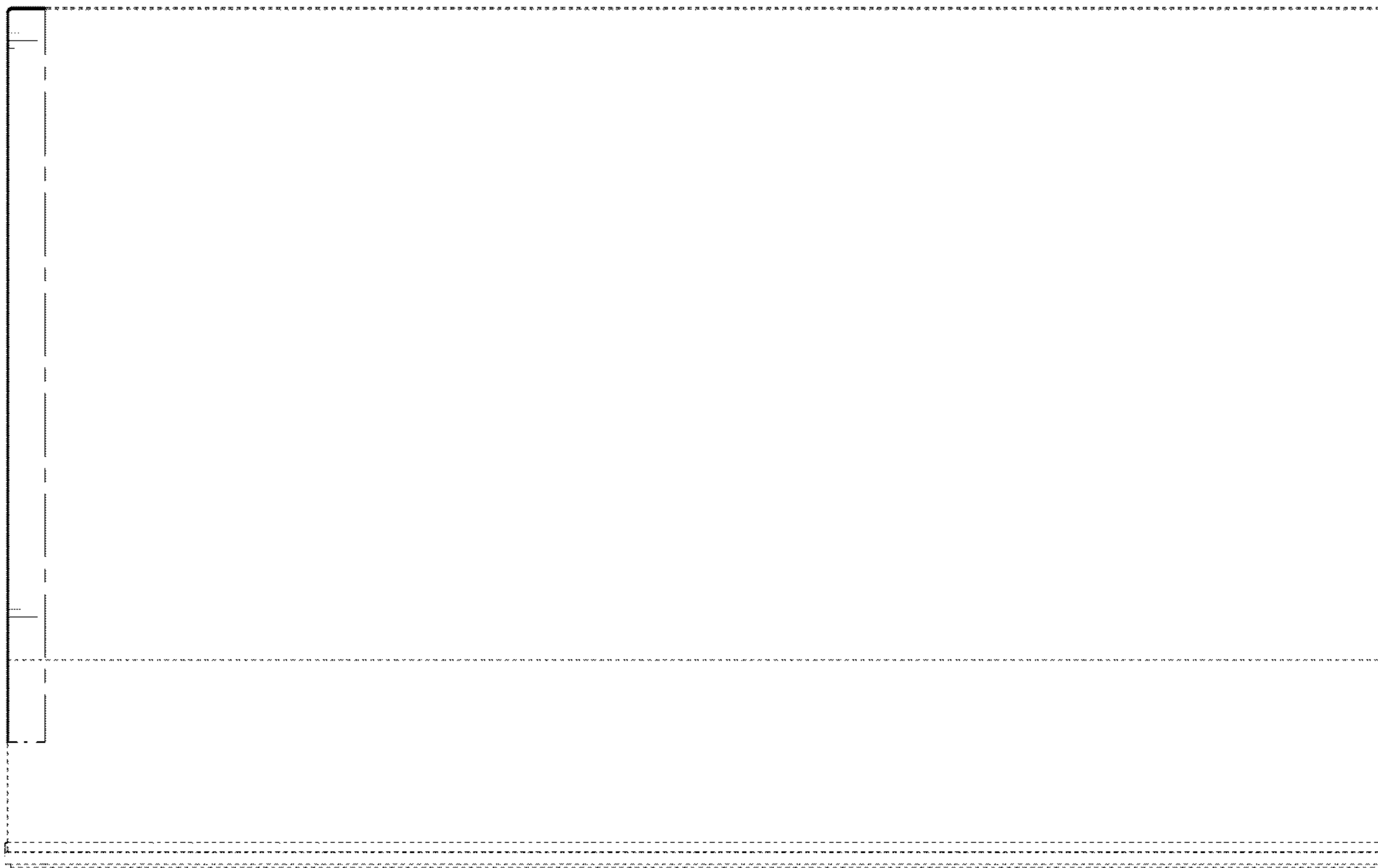


FIG. 4

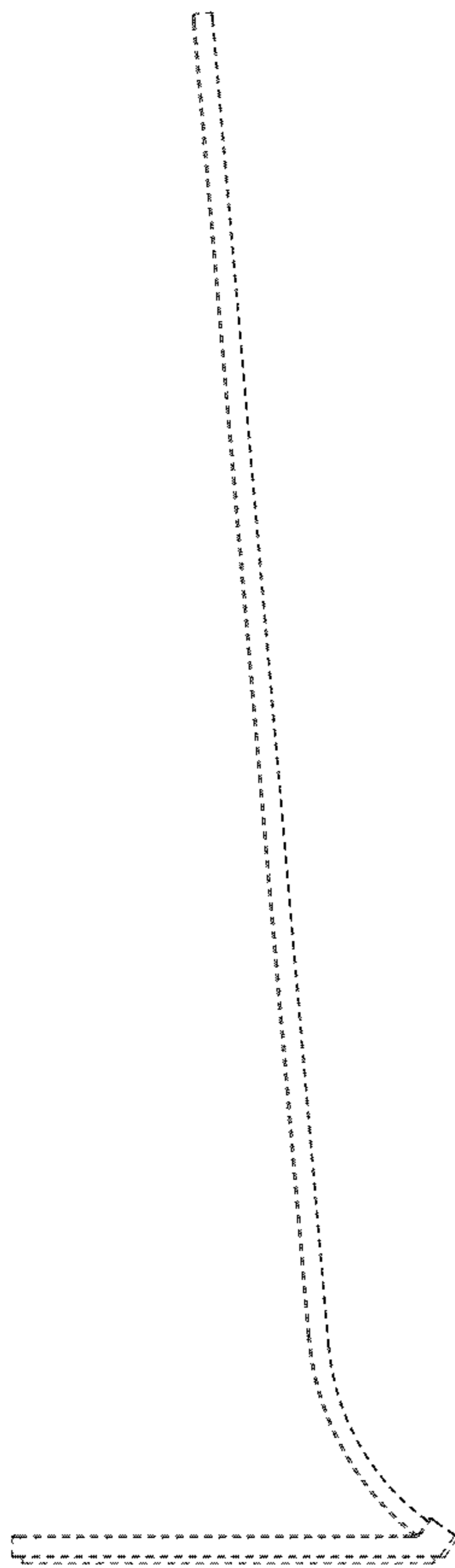


FIG. 5

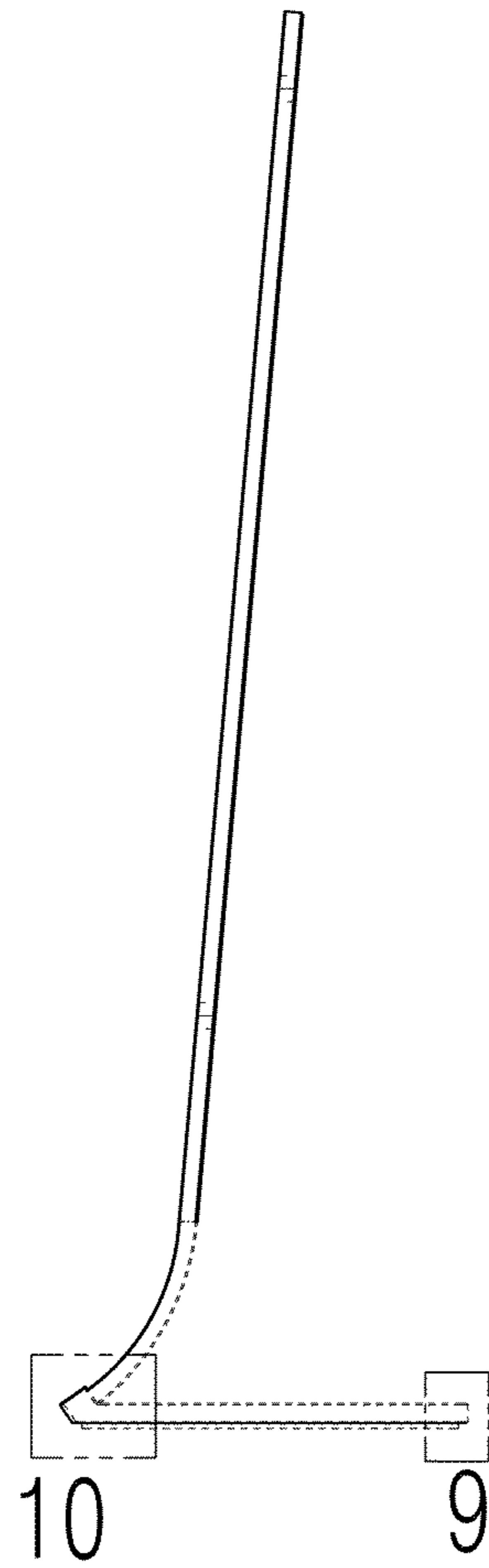


FIG. 6

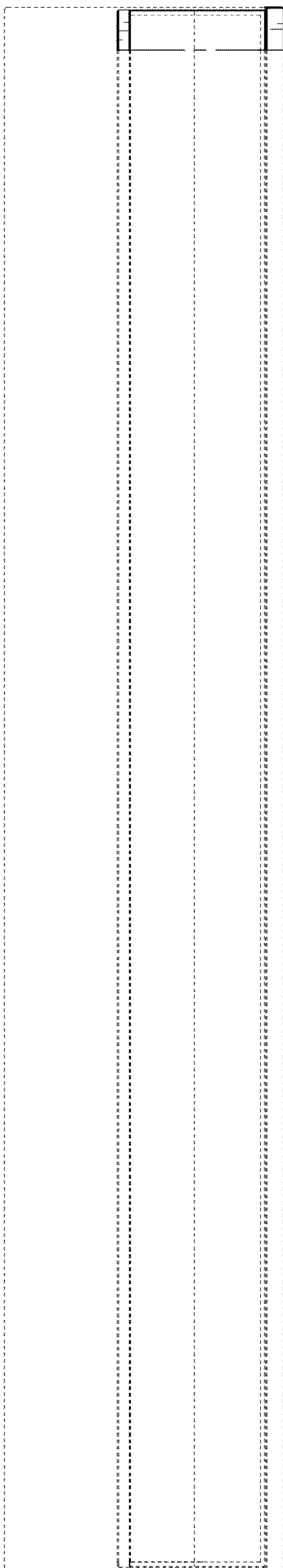


FIG. 7

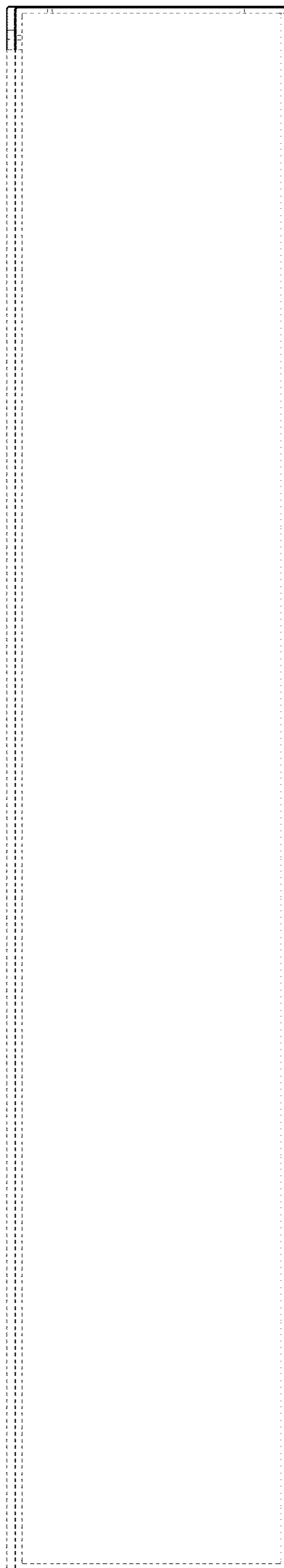


FIG. 8

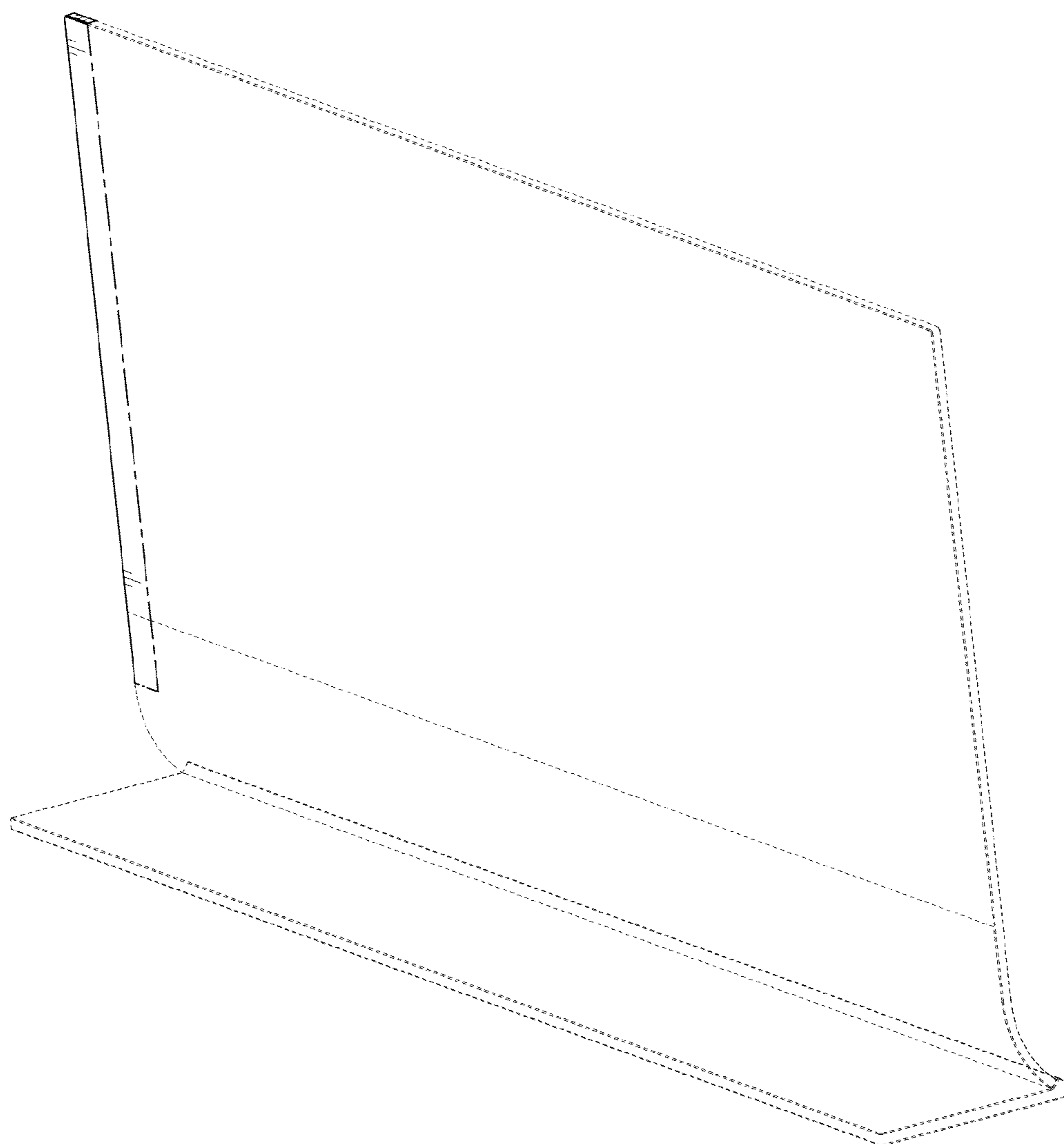


FIG. 10

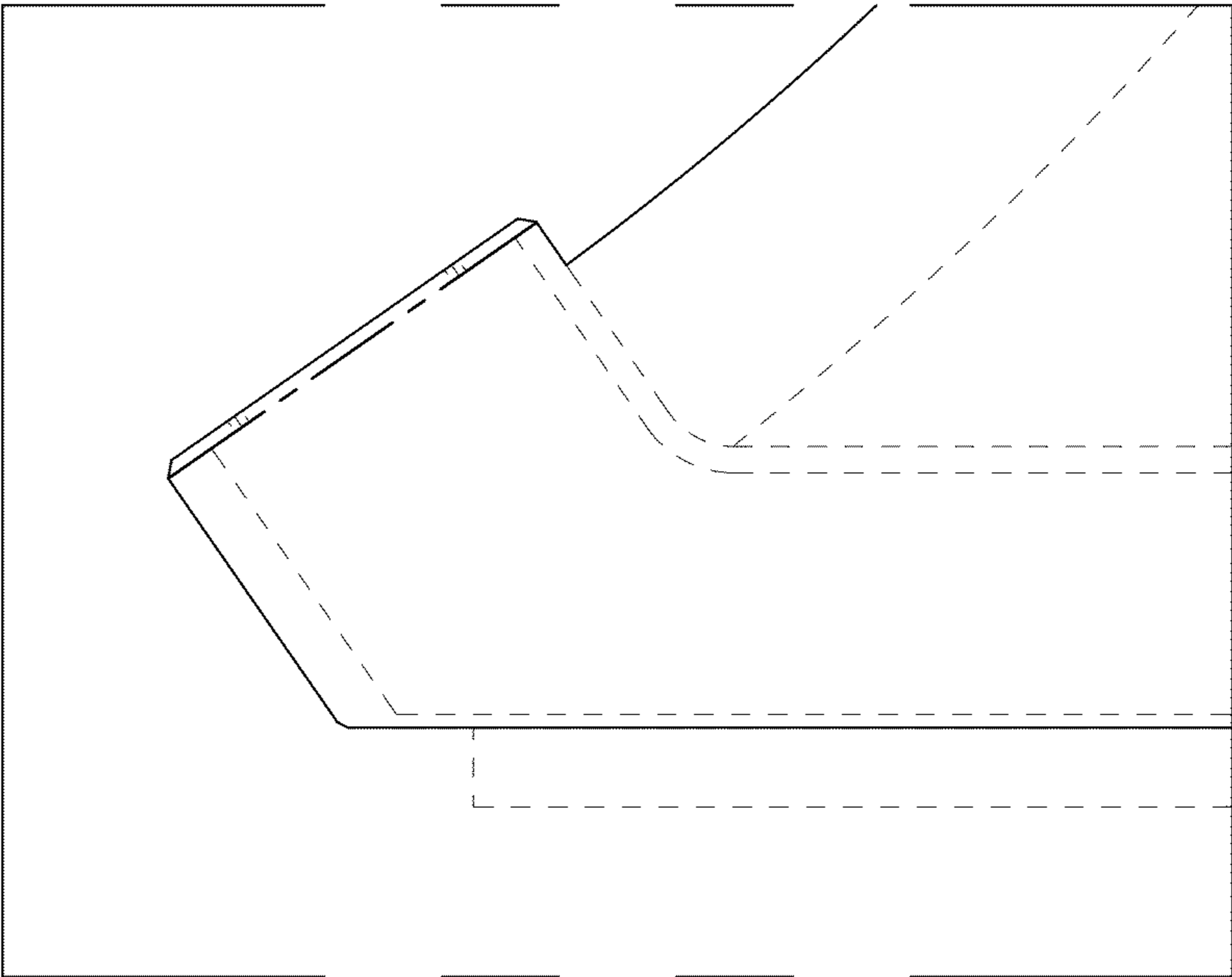


FIG. 11

