



US00D750050S

(12) **United States Design Patent**
Podduturi

(10) **Patent No.:** **US D750,050 S**
(45) **Date of Patent:** **** Feb. 23, 2016**

- (54) **HOME AUTOMATION ANTENNA**
- (71) Applicant: **World Products, Inc.**, Sonoma, CA (US)
- (72) Inventor: **Bharadvaj R. Podduturi**, American Canyon, CA (US)
- (73) Assignee: **World Products, Inc.**, Sonoma, CA (US)
- (**) Term: **14 Years**
- (21) Appl. No.: **29/510,400**
- (22) Filed: **Nov. 26, 2014**
- (51) **LOC (10) Cl.** **14-03**
- (52) **U.S. Cl.**
USPC **D14/230**
- (58) **Field of Classification Search**
USPC D14/138, 230–238, 299, 358; D12/42, D12/43; 343/700 MS, 700 R–705, 711–713, 343/735, 736, 741, 748, 767, 795, 819, 840, 343/846, 866, 871–908; 455/90.2, 90.3, 91, 455/128, 269, 344, 347, 562.1
CPC H01Q 7/00; H01Q 13/10; H01Q 9/285; H01Q 19/30; H01Q 19/12; H01Q 1/38; H01Q 1/36; H01Q 1/243; H04B 1/0475; H04B 1/034; H05K 11/00
See application file for complete search history.

(56) **References Cited**

U.S. PATENT DOCUMENTS

- 7,333,067 B2 * 2/2008 Hung H01Q 1/36 343/700 MS
- 7,405,704 B1 * 7/2008 Lin H01Q 1/2266 343/700 MS
- D621,819 S * 8/2010 Tsai D14/230
- D635,964 S * 4/2011 Podduturi D14/230
- D684,565 S * 6/2013 Wei D14/230
- D686,600 S * 7/2013 Yang D14/230
- D689,474 S * 9/2013 Yang D14/230
- D694,738 S * 12/2013 Yang D14/230

- D702,216 S 4/2014 Podduturi
- D704,173 S * 5/2014 Wang D14/230
- D706,750 S * 6/2014 Bringuier D14/230
- D706,751 S * 6/2014 Chang D14/230
- D707,663 S 6/2014 Podduturi
- D710,339 S * 8/2014 Bishop D14/230
- D735,173 S * 7/2015 Gosalia D14/230
- 2003/0231139 A1 * 12/2003 Tai H01Q 1/241 343/795
- 2004/0183728 A1 * 9/2004 Zinanti H01Q 1/085 343/700 MS
- 2004/0222936 A1 * 11/2004 Hung H01Q 1/38 343/795
- 2008/0143630 A1 * 6/2008 Kato G06K 19/07749 343/795
- 2009/0002244 A1 * 1/2009 Woo H01Q 1/38 343/702
- 2010/0079350 A1 * 4/2010 Lai H01Q 1/243 343/843
- 2012/0268338 A1 * 10/2012 Yoo H01Q 9/26 343/803

* cited by examiner

Primary Examiner — John Windmuller

(74) *Attorney, Agent, or Firm* — Patterson Thuent Pedersen, P.A.

(57) **CLAIM**

I claim the ornamental design for a home automation antenna, as shown and described.

DESCRIPTION

FIG. 1 is a perspective view of a home automation antenna according to the design.

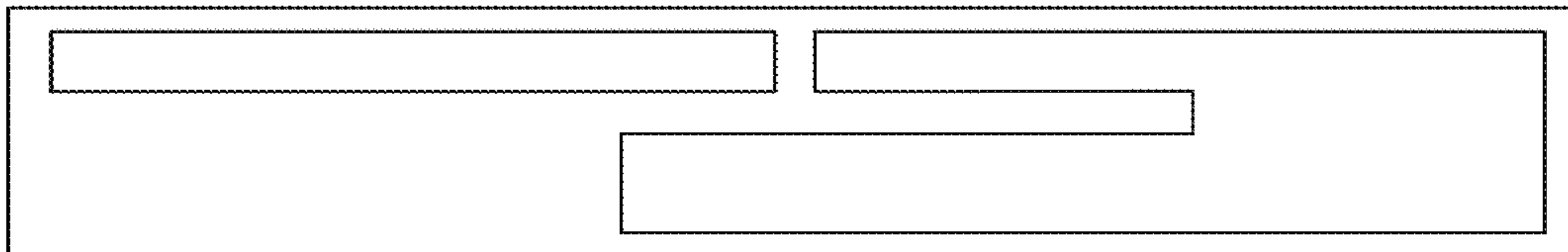
FIG. 2 is a top plan view of the home automation antenna depicted in FIG. 1.

FIG. 3 is a bottom plan view of the home automation antenna depicted in FIG. 1; and,

FIGS. 4-7 are side views of the home automation antenna depicted in FIG. 1.

In those figures where they appear, broken lines illustrate visible environmental structures that are not to be considered as limitations of the claimed subject matter.

1 Claim, 1 Drawing Sheet



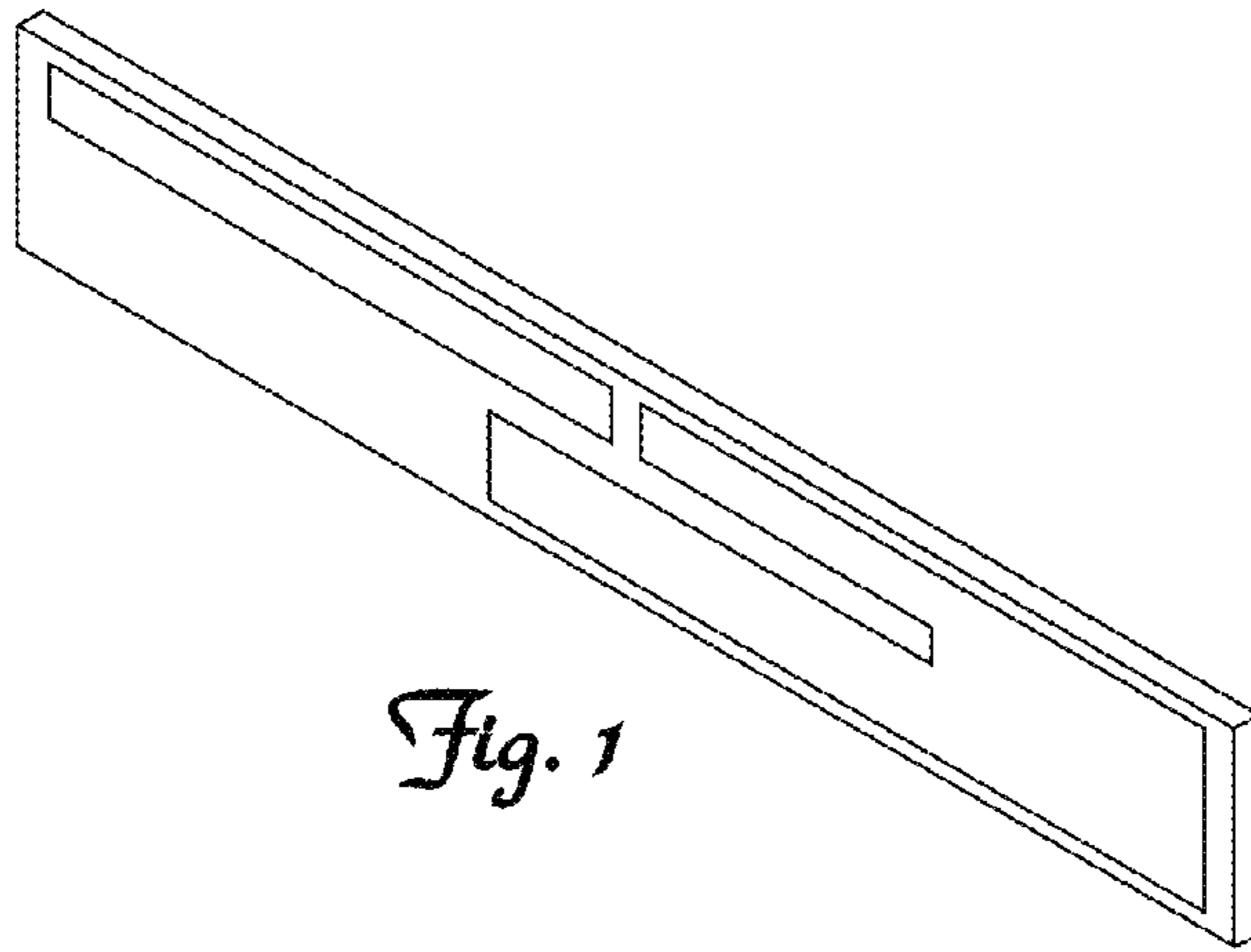


Fig. 1

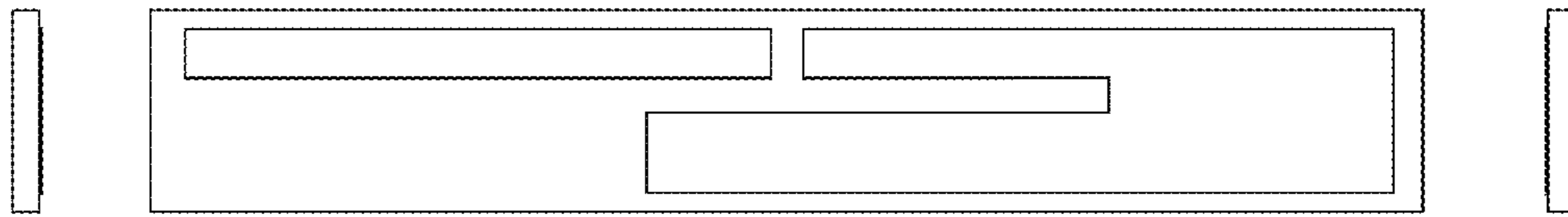


Fig. 4

Fig. 2

Fig. 5



Fig. 3

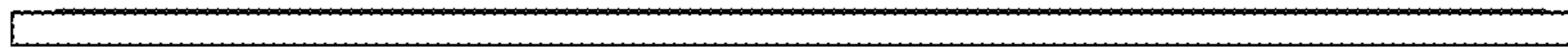


Fig. 6



Fig. 7