



US00D750049S

(12) **United States Design Patent**  
**Podduturi**

(10) **Patent No.:** **US D750,049 S**  
(45) **Date of Patent:** **\*\* Feb. 23, 2016**

- (54) **DUAL-BAND WI-FI ANTENNA**
- (71) Applicant: **World Products, Inc.**, Sonoma, CA (US)
- (72) Inventor: **Bharadvaj R. Podduturi**, American Canyon, CA (US)
- (73) Assignee: **World Products, Inc.**, Sonoma, CA (US)
- (\*\*) Term: **14 Years**
- (21) Appl. No.: **29/510,398**
- (22) Filed: **Nov. 26, 2014**
- (51) **LOC (10) Cl.** ..... **14-03**
- (52) **U.S. Cl.**  
USPC ..... **D14/230**
- (58) **Field of Classification Search**  
USPC ..... D14/138, 230–238, 299, 358; D12/42, D12/43; 343/700 MS, 700 R–705, 711–713, 343/735, 736, 741, 748, 767, 795, 819, 840, 343/846, 866, 871–908; 455/90.2, 90.3, 91, 455/128, 269, 344, 347, 562.1  
CPC ..... H01Q 7/00; H01Q 13/10; H01Q 9/285; H01Q 19/30; H01Q 19/12; H01Q 1/38; H01Q 1/36; H01Q 1/243; H04B 1/0475; H04B 1/034; H05K 11/00  
See application file for complete search history.

(56) **References Cited**

**U.S. PATENT DOCUMENTS**

- 7,148,849 B2 \* 12/2006 Lin ..... H01Q 1/243 343/700 MS
- D621,819 S \* 8/2010 Tsai ..... D14/230
- 7,843,390 B2 \* 11/2010 Liu ..... H01Q 9/42 343/700 MS
- D635,963 S \* 4/2011 Podduturi ..... D14/230
- D649,962 S \* 12/2011 Tseng ..... D14/230
- D650,370 S \* 12/2011 Huang ..... D14/230
- D654,060 S \* 2/2012 Ko ..... D14/230
- D658,639 S \* 5/2012 Huang ..... D14/230
- D659,685 S \* 5/2012 Huang ..... D14/230
- D671,097 S \* 11/2012 Mi ..... D14/230

- D684,565 S \* 6/2013 Wei ..... D14/230
- D685,352 S \* 7/2013 Wei ..... D14/230
- D694,738 S \* 12/2013 Yang ..... D14/230
- D702,216 S 4/2014 Podduturi
- D706,750 S \* 6/2014 Bringuier ..... D14/230
- D706,751 S \* 6/2014 Chang ..... D14/230
- D707,663 S 6/2014 Podduturi
- D710,339 S \* 8/2014 Bishop ..... D14/230
- D710,833 S \* 8/2014 Zheng ..... D14/230
- 8,810,467 B2 \* 8/2014 Lee ..... H01Q 1/38 343/817
- D728,534 S \* 5/2015 Leibovich ..... D14/230
- 2005/0190108 A1 \* 9/2005 Lin ..... H01Q 9/42 343/702
- 2008/0266202 A1 \* 10/2008 Lin ..... H01Q 1/38 343/893
- 2009/0002244 A1 \* 1/2009 Woo ..... H01Q 1/38 343/702
- 2009/0027275 A1 \* 1/2009 Su ..... H01Q 1/242 343/700 MS
- 2009/0135072 A1 \* 5/2009 Ke ..... H01Q 1/36 343/700 MS
- 2010/0134358 A1 \* 6/2010 Su ..... H01Q 1/38 343/700 MS
- 2011/0012789 A1 \* 1/2011 Yang ..... H01Q 1/38 343/700 MS
- 2012/0229348 A1 \* 9/2012 Chiang ..... H01Q 1/2266 343/702

\* cited by examiner

*Primary Examiner* — John Windmuller

(74) *Attorney, Agent, or Firm* — Patterson Thunte Pedersen, P.A.

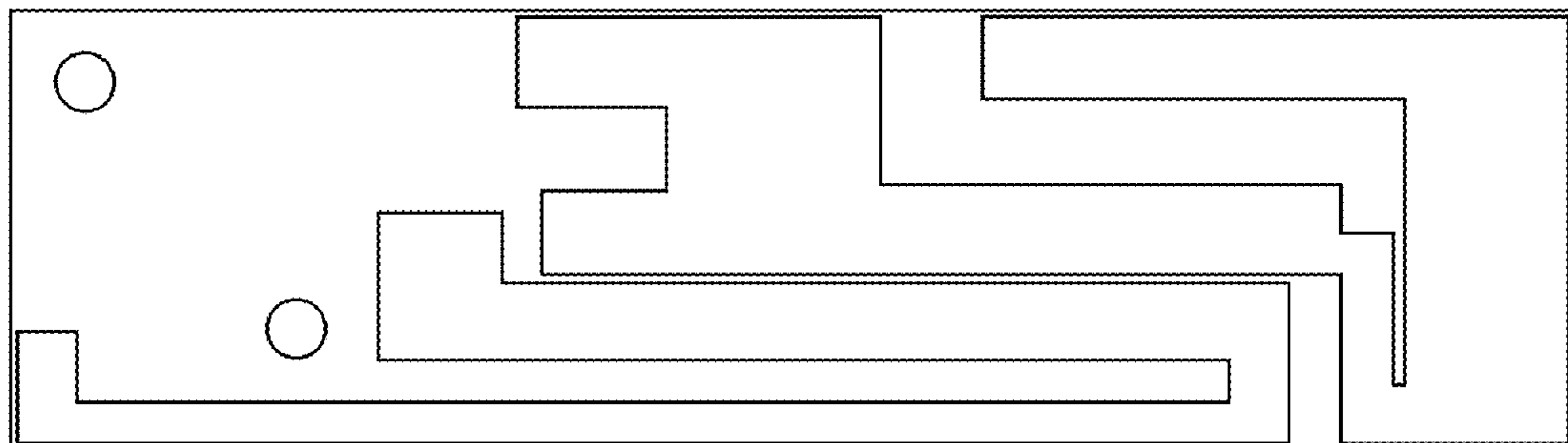
(57) **CLAIM**

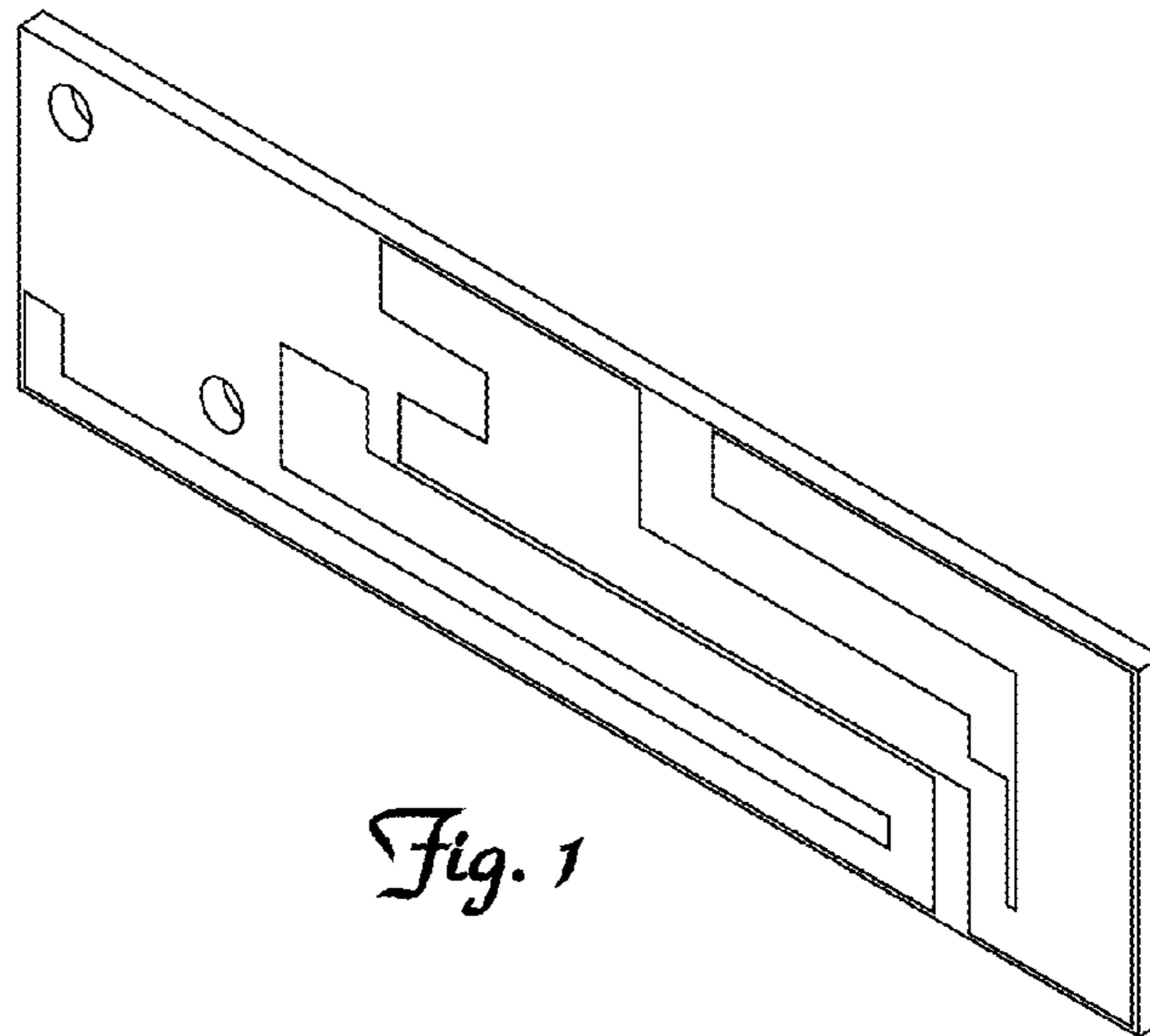
I claim the ornamental design for a dual-band Wi-Fi antenna, as shown and described.

**DESCRIPTION**

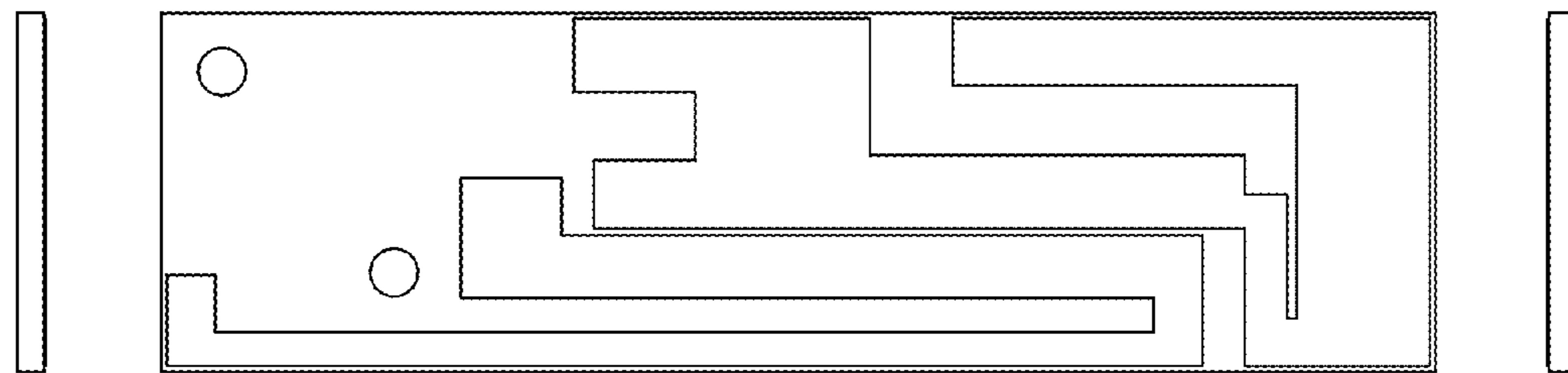
FIG. 1 is a perspective view of a dual-band Wi-Fi antenna according to the design.  
 FIG. 2 is a top plan view of the dual-band Wi-Fi antenna depicted in FIG. 1.  
 FIG. 3 is a bottom plan view of the dual-band Wi-Fi antenna depicted in FIG. 1; and,  
 FIGS. 4-7 are side views of the dual-band Wi-Fi antenna depicted in FIG. 1.

**1 Claim, 1 Drawing Sheet**





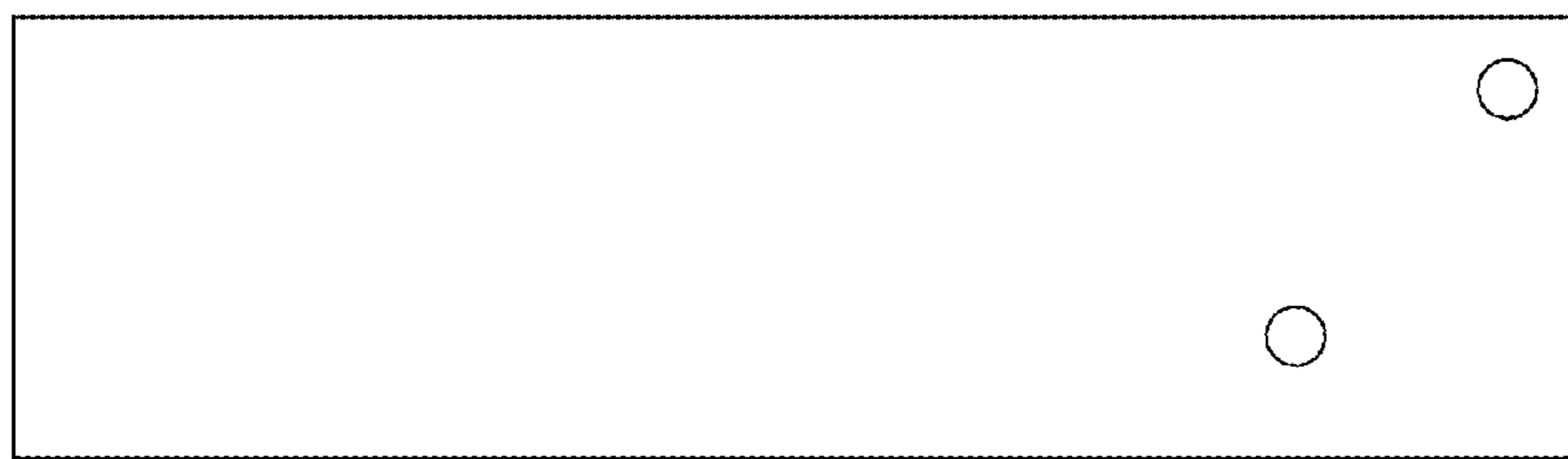
*Fig. 1*



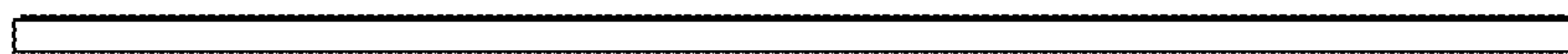
*Fig. 4*

*Fig. 2*

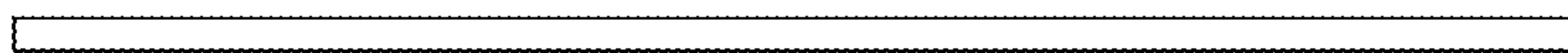
*Fig. 5*



*Fig. 3*



*Fig. 6*



*Fig. 7*