



US00D750048S

(12) **United States Design Patent**
Miki et al.

(10) **Patent No.:** **US D750,048 S**

(45) **Date of Patent:** **** Feb. 23, 2016**

(54) **PORT FOR AUDIO EQUIPMENT**

(71) Applicant: **Yamaha Corporation**, Shizuoka (JP)

(72) Inventors: **Akira Miki**, Shizuoka (JP); **Hirofumi Onitsuka**, Shizuoka (JP)

(73) Assignee: **Yamaha Corporation**, Shizuoka (JP)

(**) Term: **15 Years**

(21) Appl. No.: **29/536,078**

(22) Filed: **Aug. 13, 2015**

Related U.S. Application Data

(62) Division of application No. 29/476,340, filed on Dec. 12, 2013.

(30) **Foreign Application Priority Data**

Aug. 8, 2013	(JP)	2013-018240
Aug. 8, 2013	(JP)	2013-018241
Aug. 8, 2013	(JP)	2013-018242
Aug. 8, 2013	(JP)	2013-018243
Aug. 8, 2013	(JP)	2013-018244
Aug. 8, 2013	(JP)	2013-018245
Aug. 8, 2013	(JP)	2013-018246
Aug. 8, 2013	(JP)	2013-018247

(51) **LOC (10) Cl.** **14-01**

(52) **U.S. Cl.**
USPC **D14/221**

(58) **Field of Classification Search**
USPC D13/110, 120, 123, 133, 154-156, 184,
D13/199; D14/168, 172, 204, 208, 210,
D14/213, 215-217, 221
CPC H04R 1/28; H04R 1/2815; H04R 1/2819;
H04R 1/2823; H04R 1/2826; G10K 11/08;
G10K 11/00; G10K 1/06

See application file for complete search history.

(56) **References Cited**

U.S. PATENT DOCUMENTS

896,672	A *	8/1908	Terhune	G10K 13/00 181/192
1,029,502	A *	6/1912	Lsndon	G10K 11/08 181/178
D340,056	S *	10/1993	Caron	D14/204
D359,958	S *	7/1995	Frodelius	D14/208
D375,463	S *	11/1996	Bohannan	D10/120

(Continued)

OTHER PUBLICATIONS

Secrets of Home Theater and High Fidelity, dated Oct. 17, 2002, [online], [site visited Sep. 2, 2015]. Available from Internet, <URL: http://www.hometheaterhifi.com/volume_9_3/axiom-m80ti-speakers-9-2002.html>.*

Primary Examiner — Thomas Johannes

Assistant Examiner — Shawn T Gingrich

(74) *Attorney, Agent, or Firm* — McDonald Hopkins LLC

(57) **CLAIM**

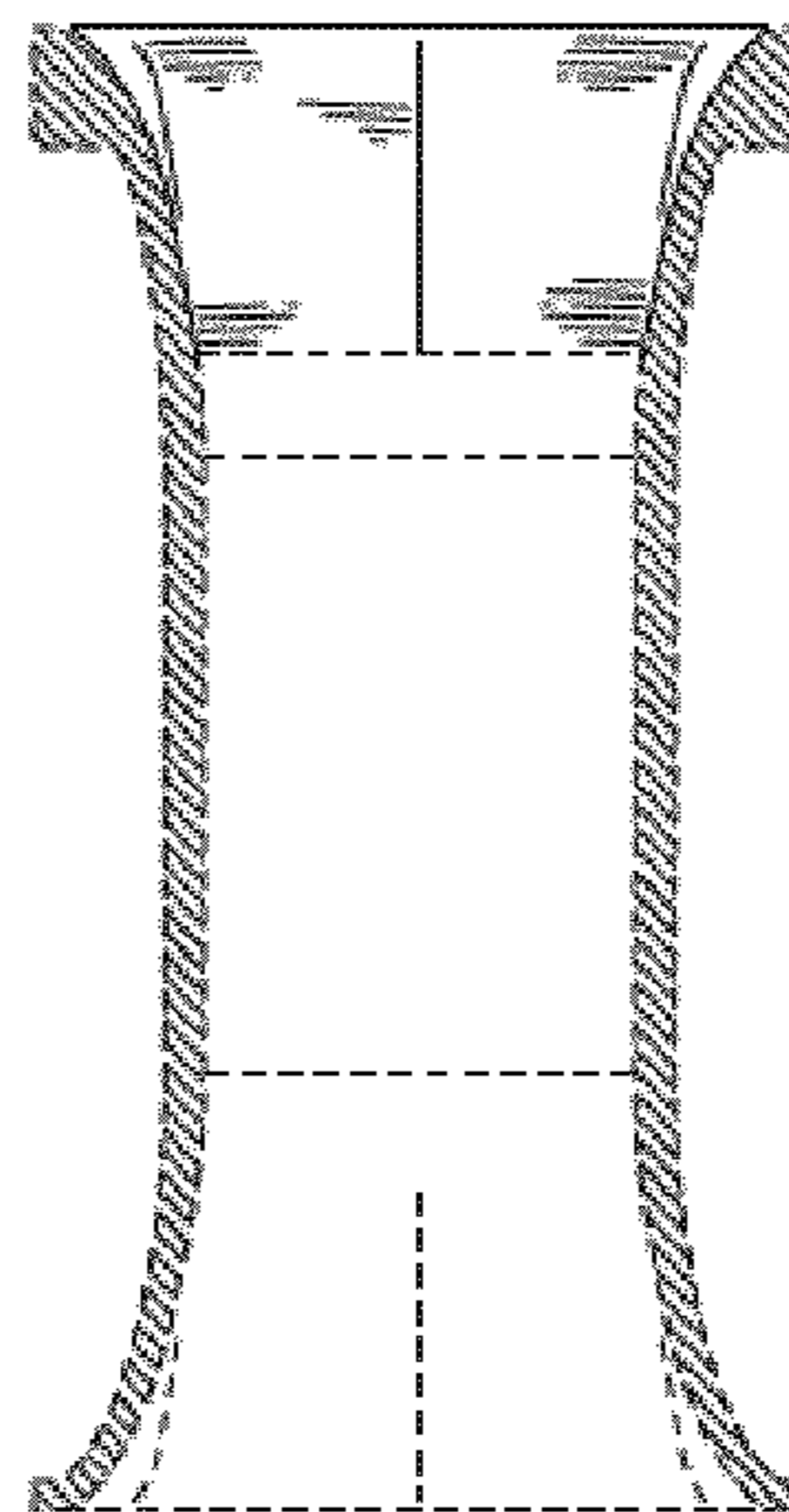
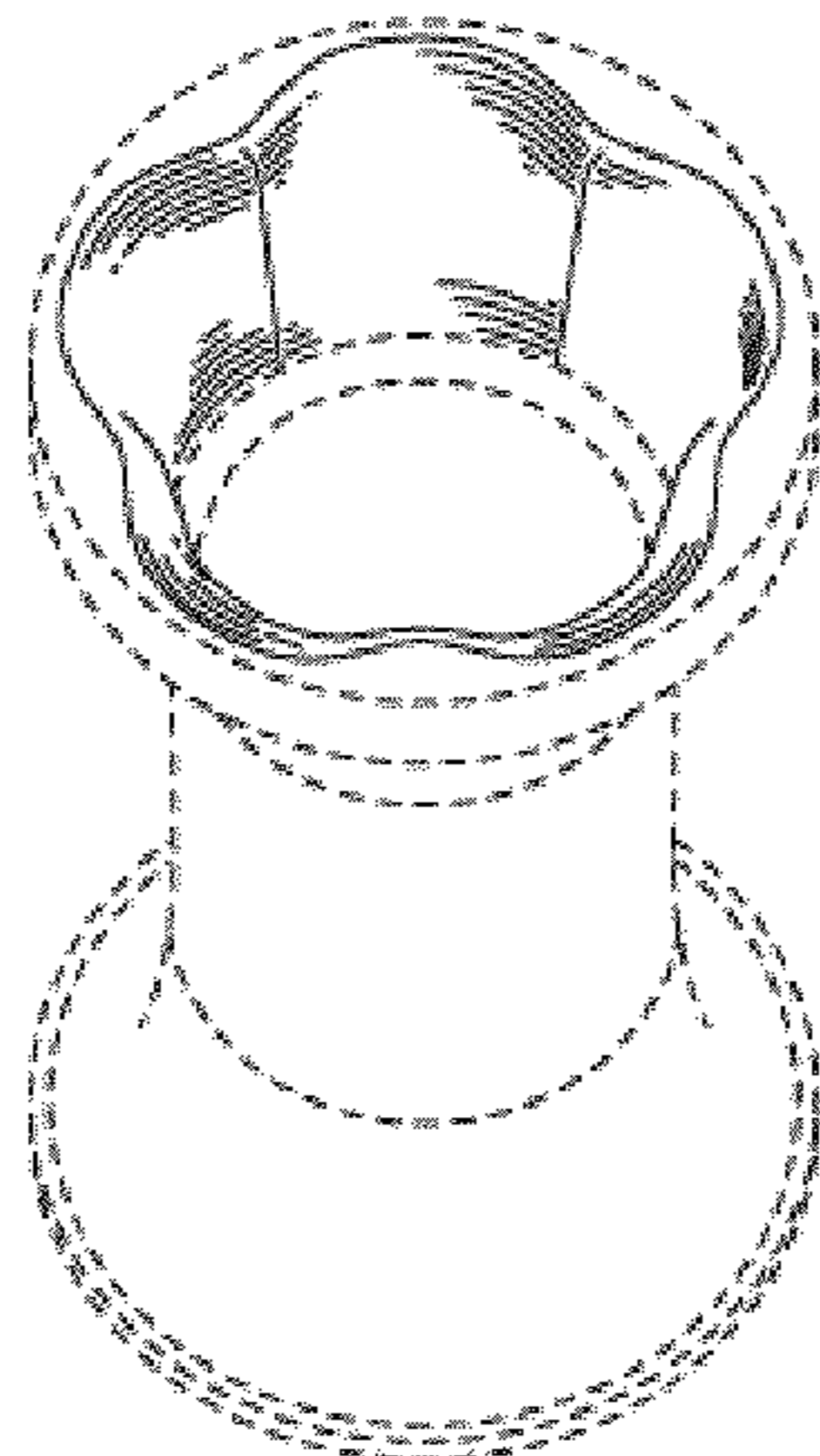
The ornamental design for a port for audio equipment, as shown and described.

DESCRIPTION

FIG. 1 is a top perspective view thereof;
FIG. 2 is a top view thereof;
FIG. 3 is a bottom view thereof;
FIG. 4 is a side view thereof;
FIG. 5 is a side view thereof;
FIG. 6 is a side view thereof;
FIG. 7 is a cross-sectional view taken at 7-7 from FIG. 2 thereof; and,
FIG. 8 is a cross-sectional view taken at 8-8 from FIG. 5 thereof.

The broken line portion of the figure drawings is included to show portions of the article that form no part of the claimed design.

1 Claim, 4 Drawing Sheets



US D750,048 S

Page 2

(56)

References Cited

U.S. PATENT DOCUMENTS

D452,964 S * 1/2002 Vosse D14/204
D579,441 S * 10/2008 Okamura D14/168
D591,268 S * 4/2009 Futtrup D14/216
D608,348 S * 1/2010 Gahm D14/216

D638,824 S * 5/2011 Hotta D14/215
2003/0076975 A1 * 4/2003 Stead H04R 1/2826
381/345
2014/0262597 A1 * 9/2014 Miki H04R 1/2815
181/156
2014/0262598 A1 * 9/2014 Miki H04R 1/2815
181/156

* cited by examiner

Fig. 1

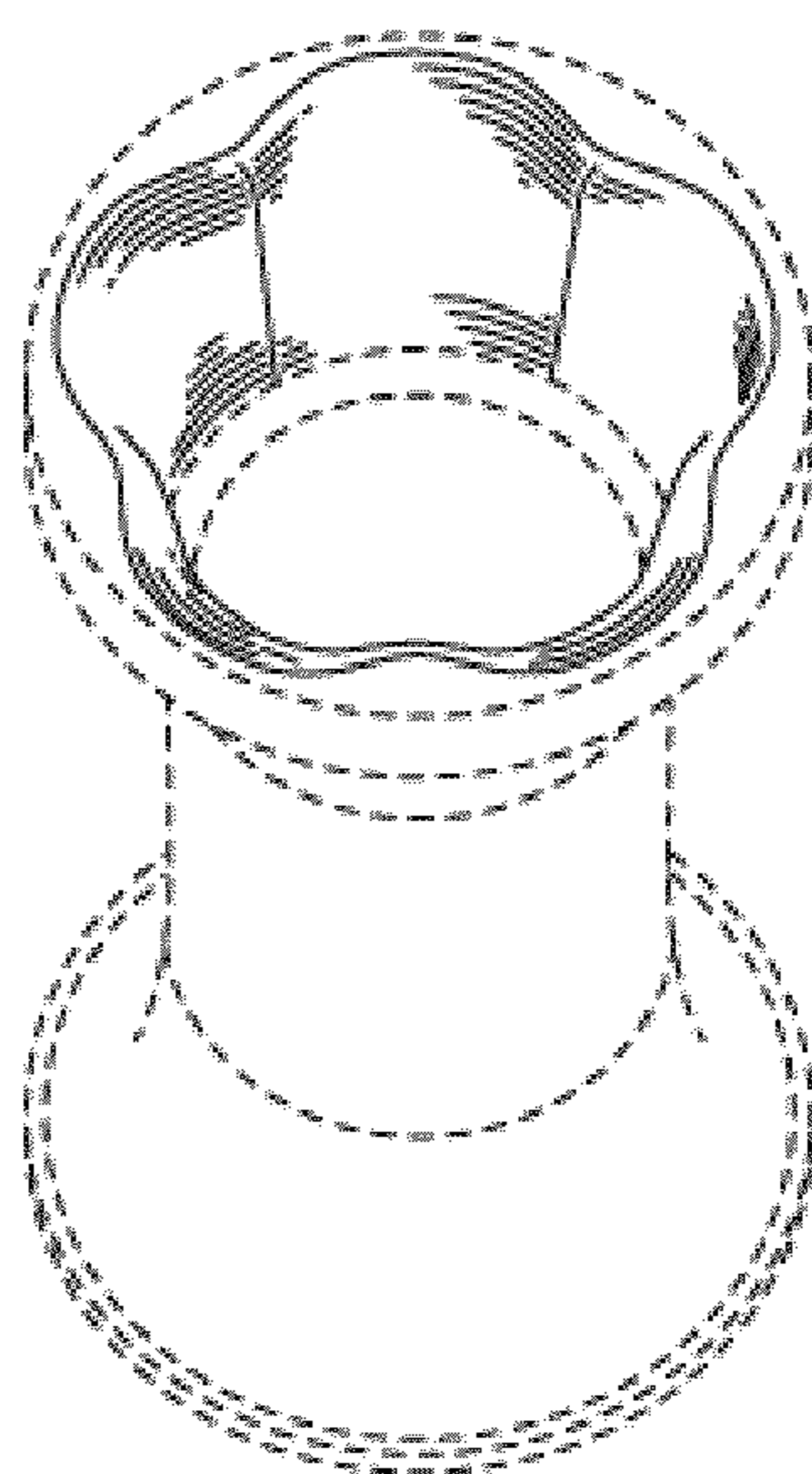


Fig. 2

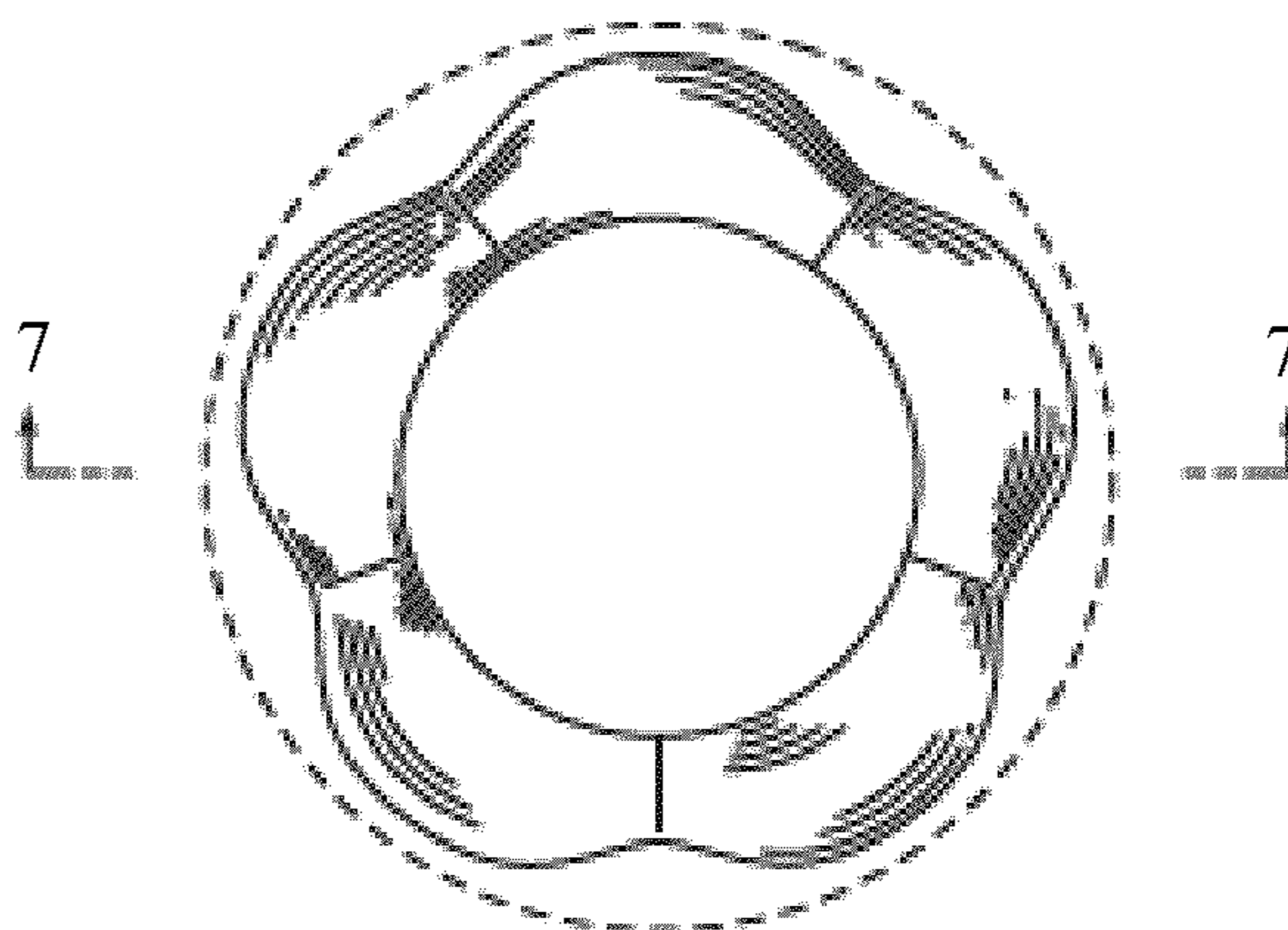


Fig. 3

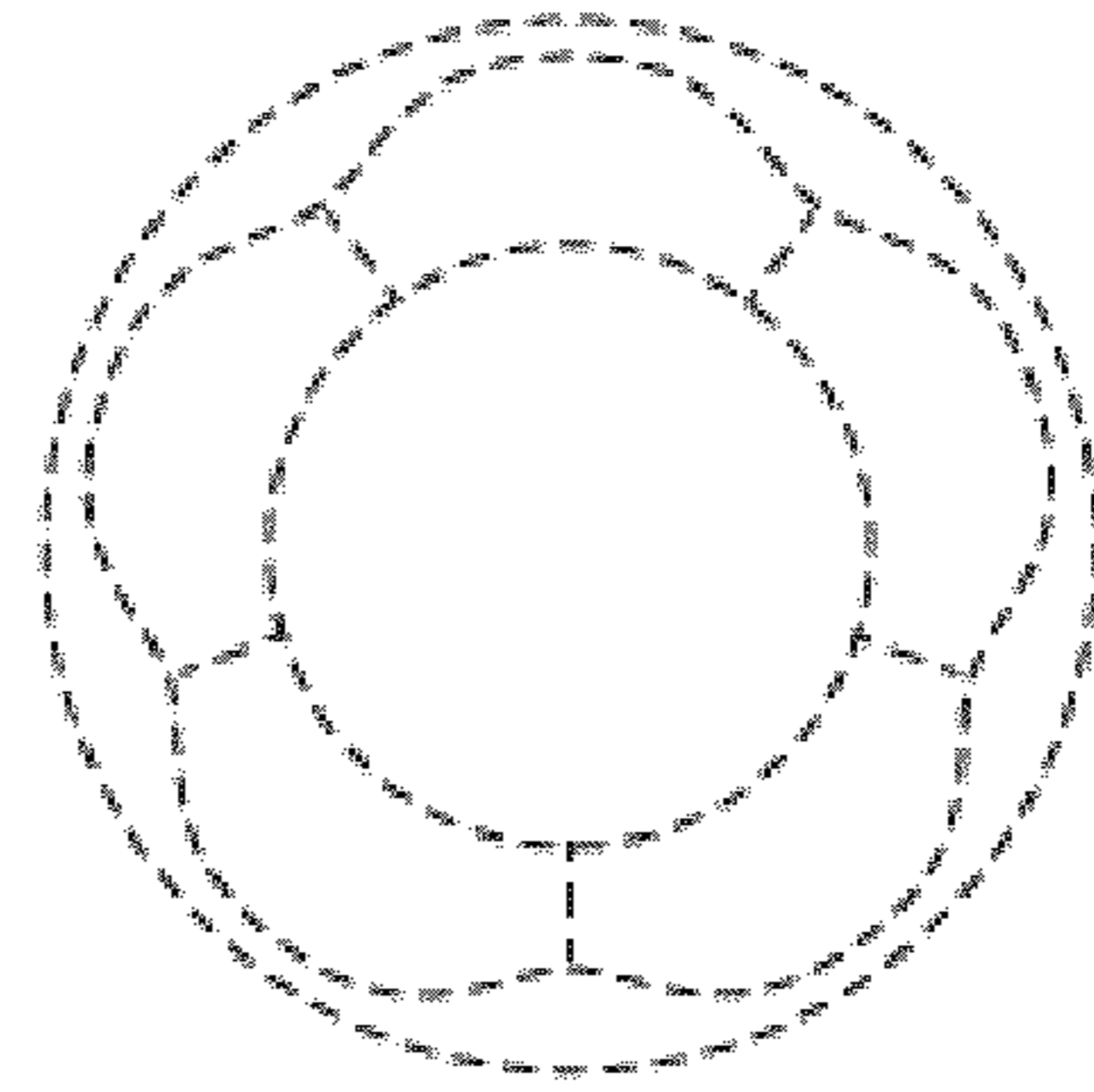


Fig. 4

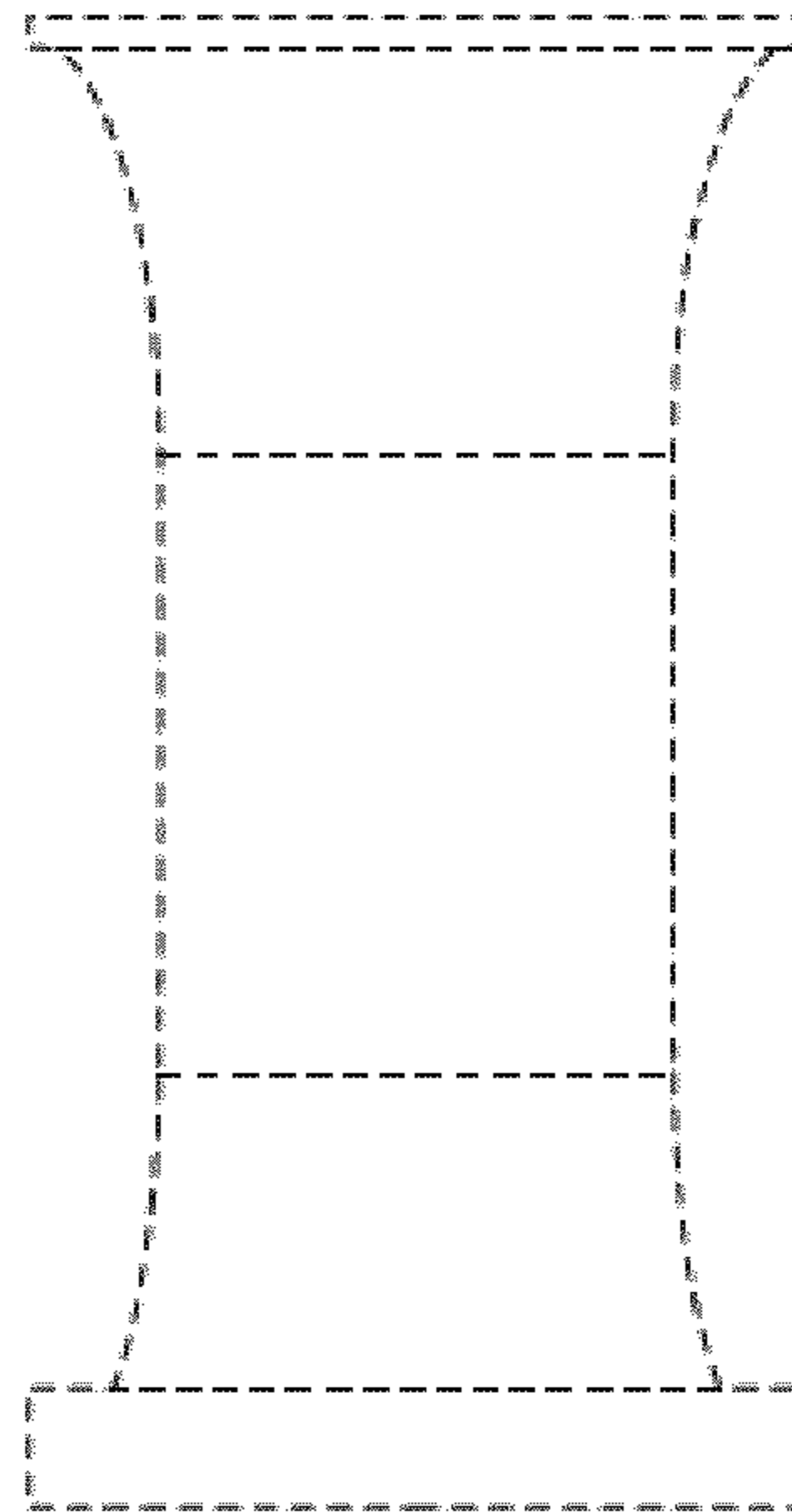


Fig. 5

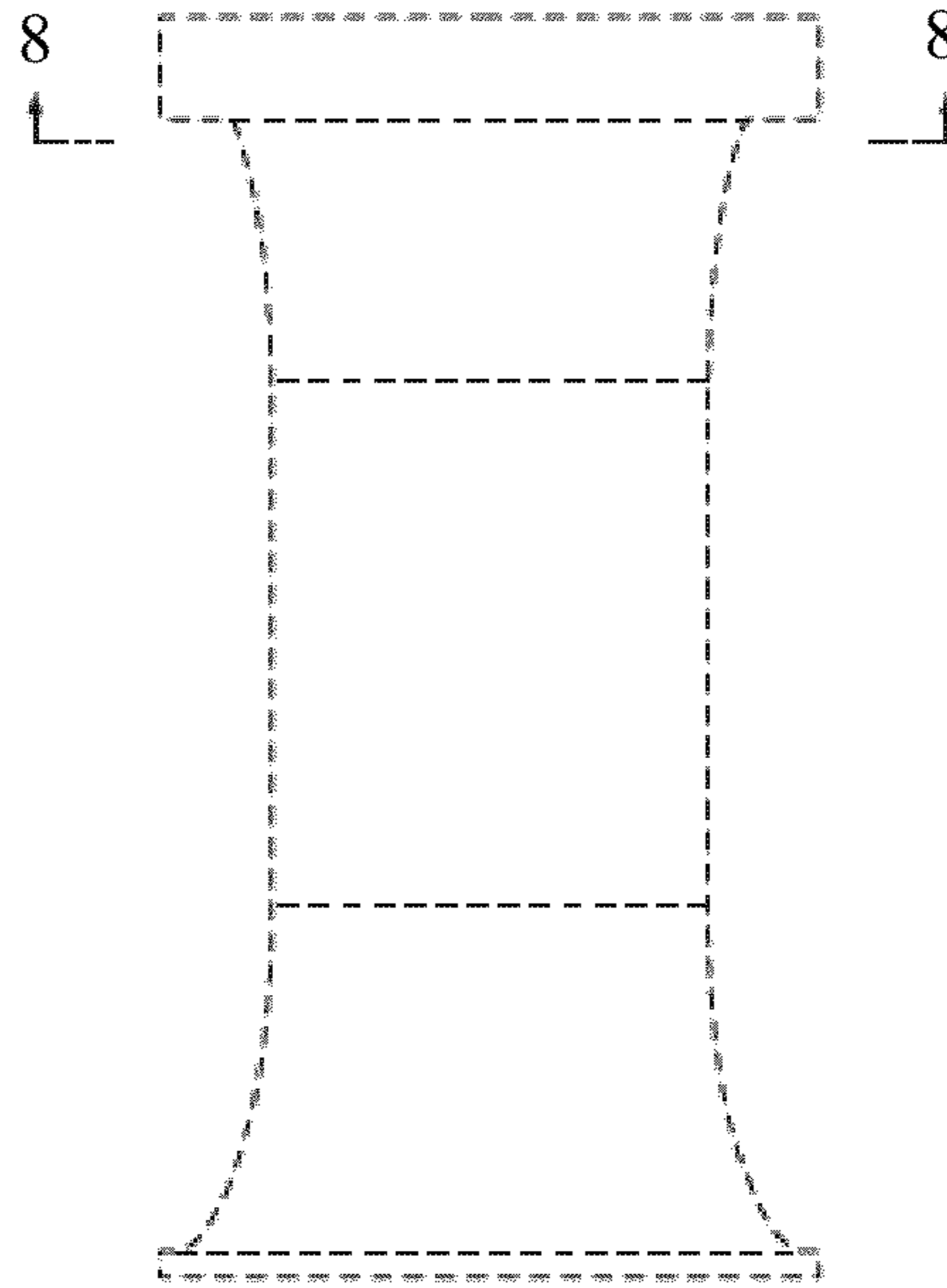


Fig. 6

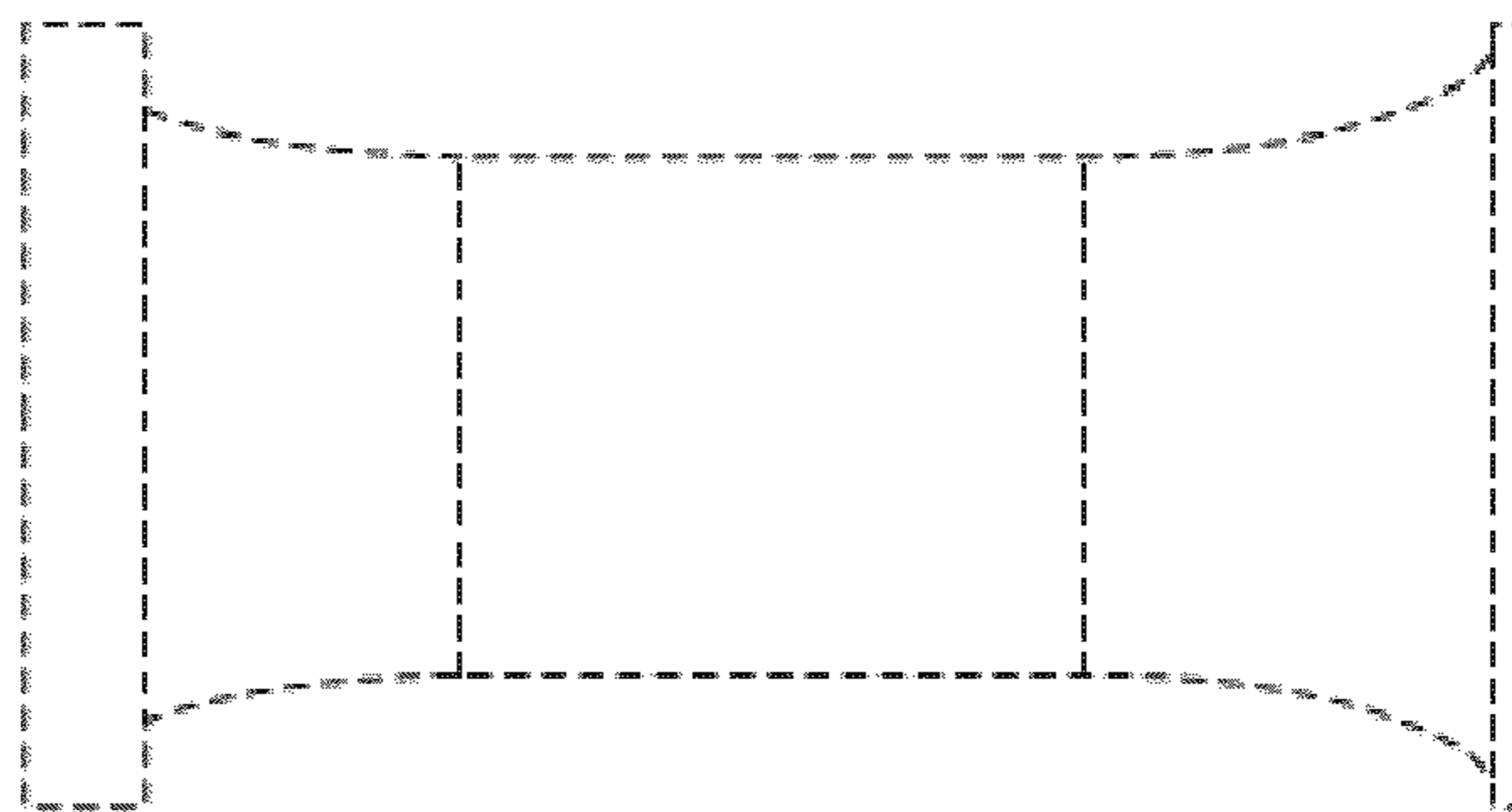


Fig. 7

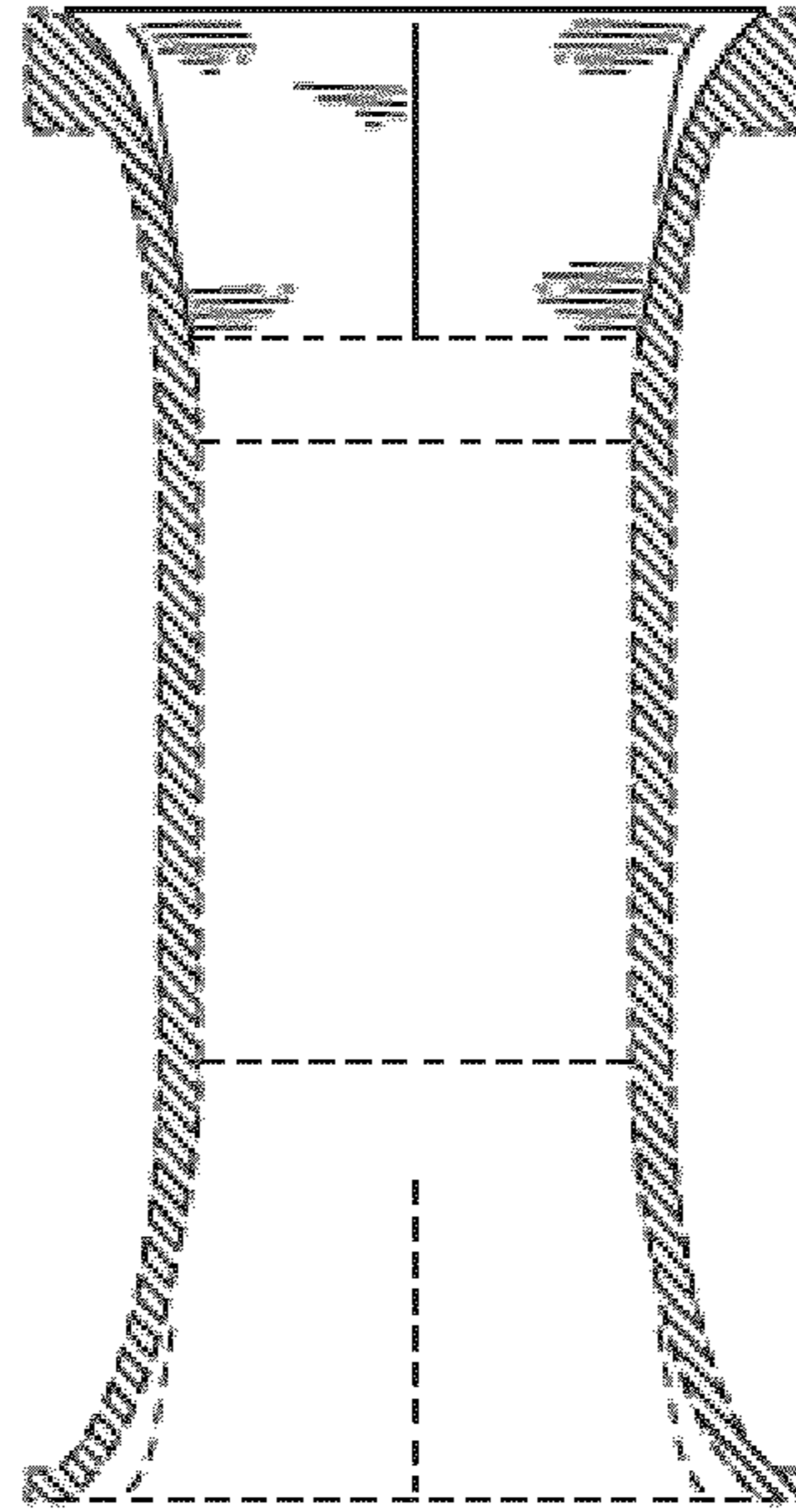


Fig. 8

