



US00D750046S

(12) **United States Design Patent**
Wong

(10) **Patent No.:** **US D750,046 S**

(45) **Date of Patent:** **** Feb. 23, 2016**

(54) **SPEAKER**

(71) Applicant: **GIBSON INNOVATIONS BELGIUM N.V.**, Leuven (BE)

(72) Inventor: **King Shun Cheong Wong**, Hong Kong (CN)

(73) Assignee: **GIBSON INNOVATIONS BELGIUM N.V.**, Leuven (BE)

(**) Term: **14 Years**

(21) Appl. No.: **29/503,892**

(22) Filed: **Sep. 30, 2014**

(30) **Foreign Application Priority Data**

May 30, 2014 (EM) 002473678-0001

(51) **LOC (10) Cl.** **14-03**

(52) **U.S. Cl.**
USPC **D14/215**

(58) **Field of Classification Search**

USPC D14/167, 168, 170-172, 188, 194-196, D14/204, 207, 209.1, 210-216, 219, 221, D14/222, 224, 496; 181/143, 144, 147, 148, 181/150, 153, 157, 198, 199; 381/300-303, 381/306, 332, 333, 336, 345, 361-364, 381/386-388; 369/6-12
CPC B60R 11/0217; G06F 1/1688; H04M 1/03; H04M 1/035; H04R 1/02; H04R 1/06; H04R 1/021; H04R 1/025; H04R 1/026; H04R 1/028; H04R 1/105; H04R 1/323; H04R 1/403; H04R 1/2803; H04R 1/2834; H04R 5/02; H04R 7/20; H04R 9/06; H04R 9/025; H04R 2201/021; H04R 2400/00; H04R 2400/07; H04R 2499/11; H04R 2499/13; H04R 2499/15; H04S 3/00; H04S 7/30

See application file for complete search history.

(56) **References Cited**

U.S. PATENT DOCUMENTS

D182,794 S *	5/1958	Earnes	D14/214
D230,194 S *	1/1974	Buckler	D14/197
5,937,074 A *	8/1999	Carver	381/395
D486,816 S *	2/2004	Nakajima et al.	D14/169
D500,297 S *	12/2004	Chan	D14/148
D657,348 S *	4/2012	Shim et al.	D14/214
D664,122 S *	7/2012	Cho et al.	D14/215
D671,525 S *	11/2012	Chung	D14/215
D691,983 S *	10/2013	Vaughan et al.	D14/172

(Continued)

Primary Examiner — Keli L Hill

(74) *Attorney, Agent, or Firm* — Bates & Bates, LLC; Andrea Bates; Kathryn Cox

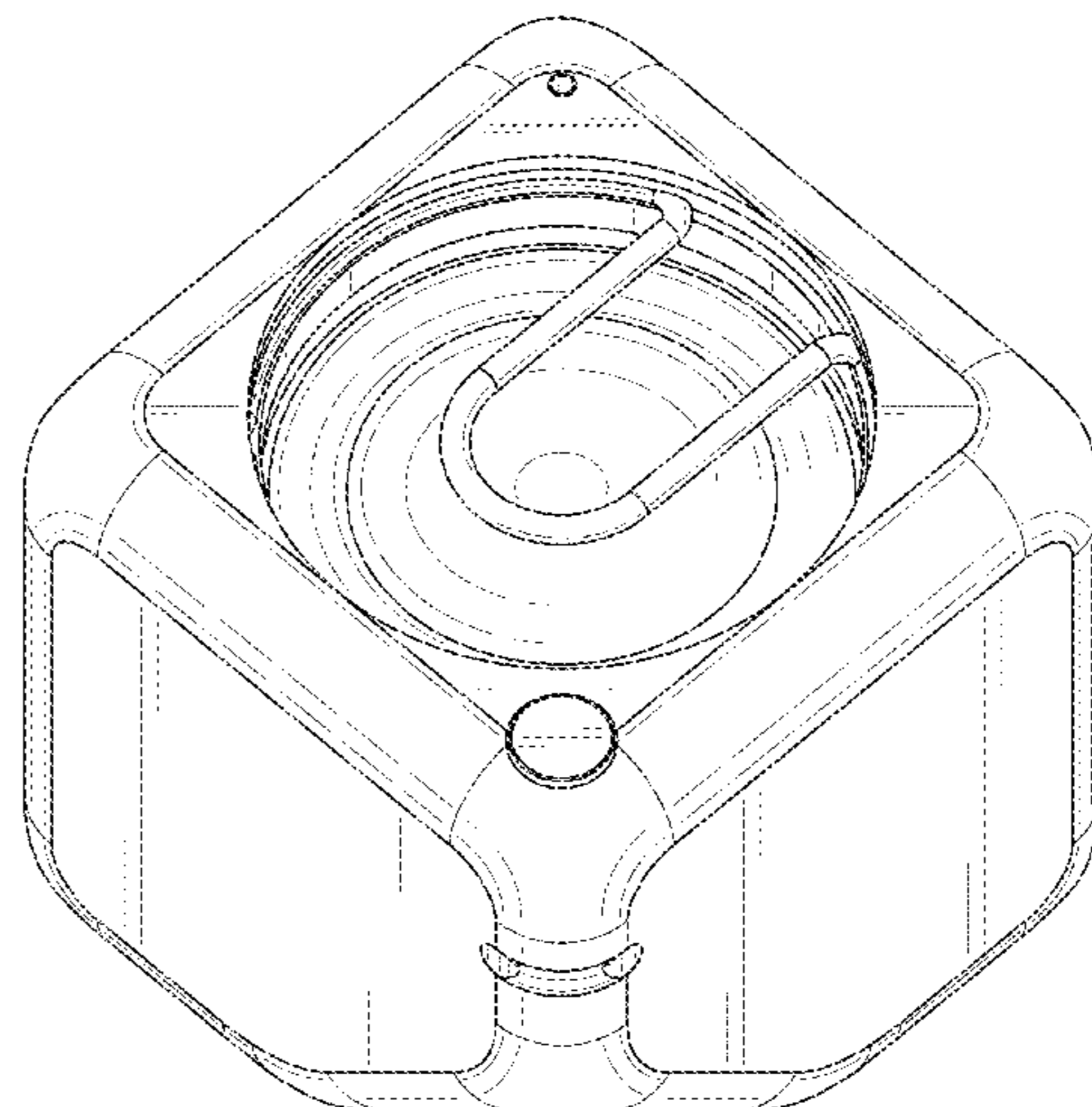
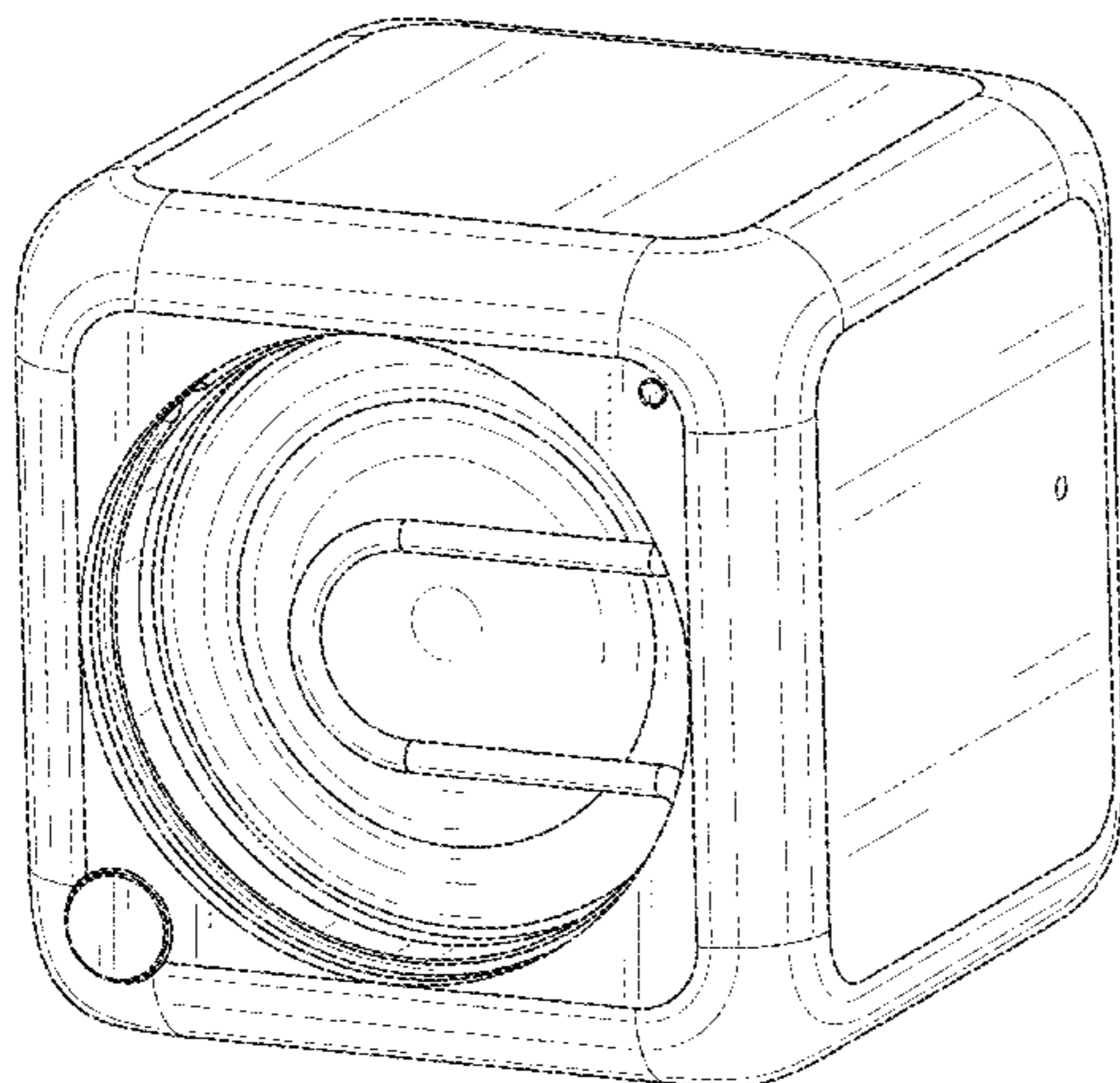
(57) **CLAIM**

The ornamental design for speaker, as shown and described.

DESCRIPTION

FIG. 1 is a perspective view of a speaker according to an embodiment of the claimed design; FIG. 2 is a front elevational view of the speaker of FIG. 1; FIG. 3 is a rear elevational view of the speaker of FIG. 1; FIG. 4 is a left elevational view of the speaker of FIG. 1; FIG. 5 is a right elevational view of the speaker of FIG. 1; FIG. 6 is a top elevational view of the speaker of FIG. 1; FIG. 7 is a bottom elevational view of the speaker of FIG. 1; and, FIG. 8 is another perspective view of the speaker of FIG. 1. The broken lines in FIG. 3 represent the portions of the design that form no part of the claim. The features shown in broken lines are environment only and not part of the claimed design.

1 Claim, 8 Drawing Sheets



US D750,046 S

Page 2

(56)

References Cited

U.S. PATENT DOCUMENTS

D718,275 S *	11/2014	Shim et al.	D14/214
D718,736 S *	12/2014	Thompson et al.	D14/196
D725,075 S *	3/2015	Wong	D14/215
D714,253 S *	9/2014	Aglassinger et al.	D14/188

* cited by examiner

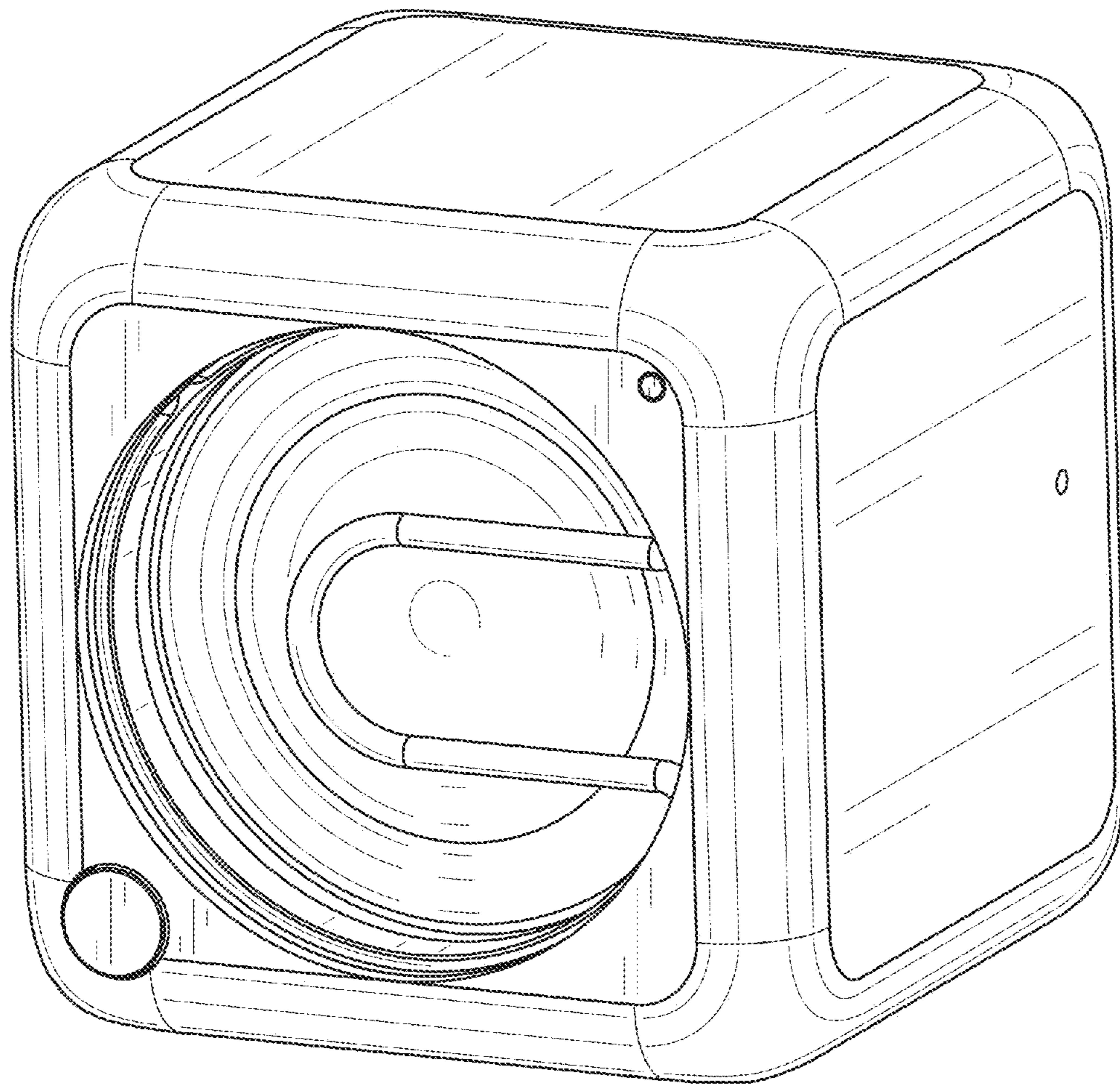


FIG. 1

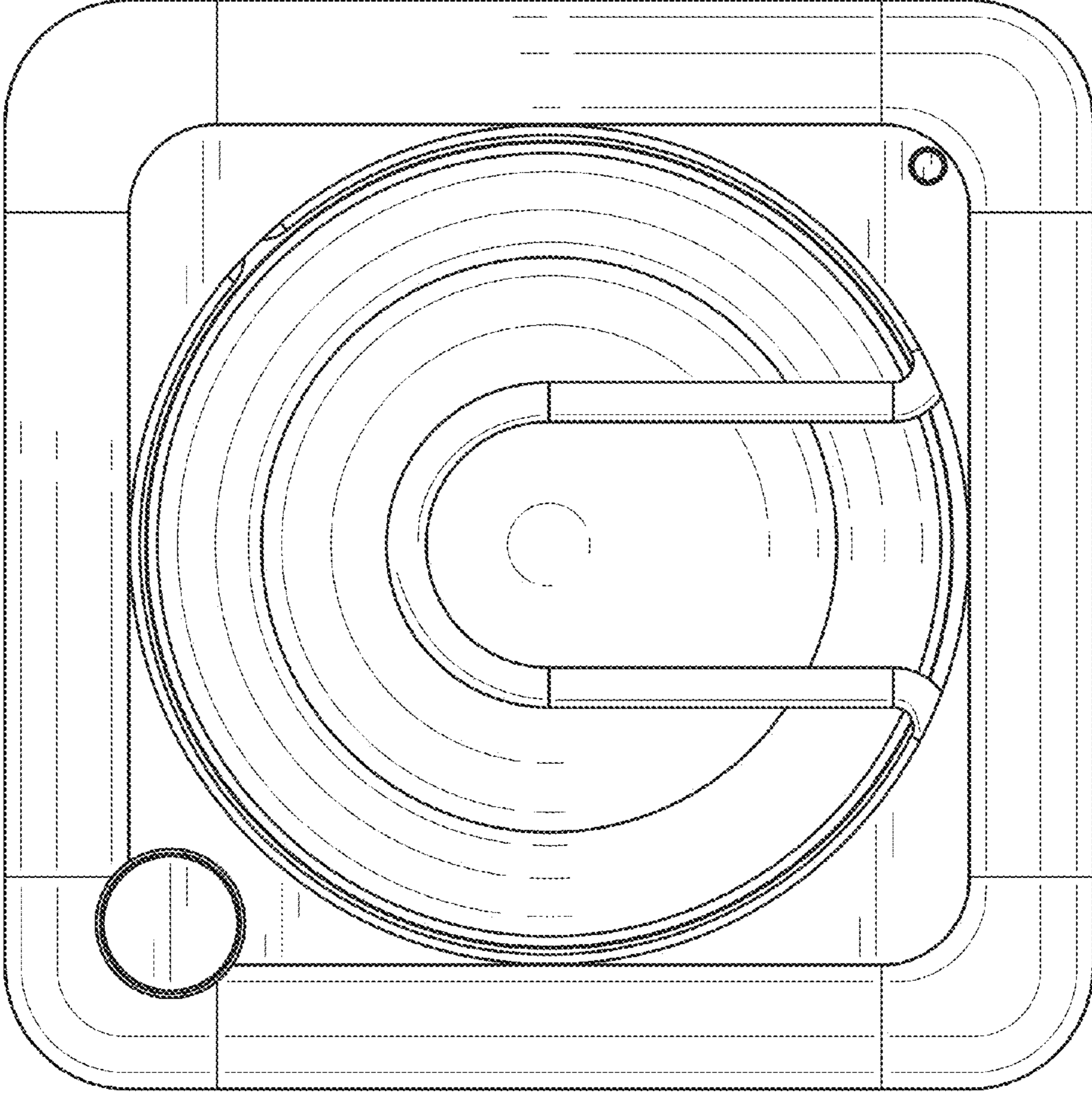


FIG. 2

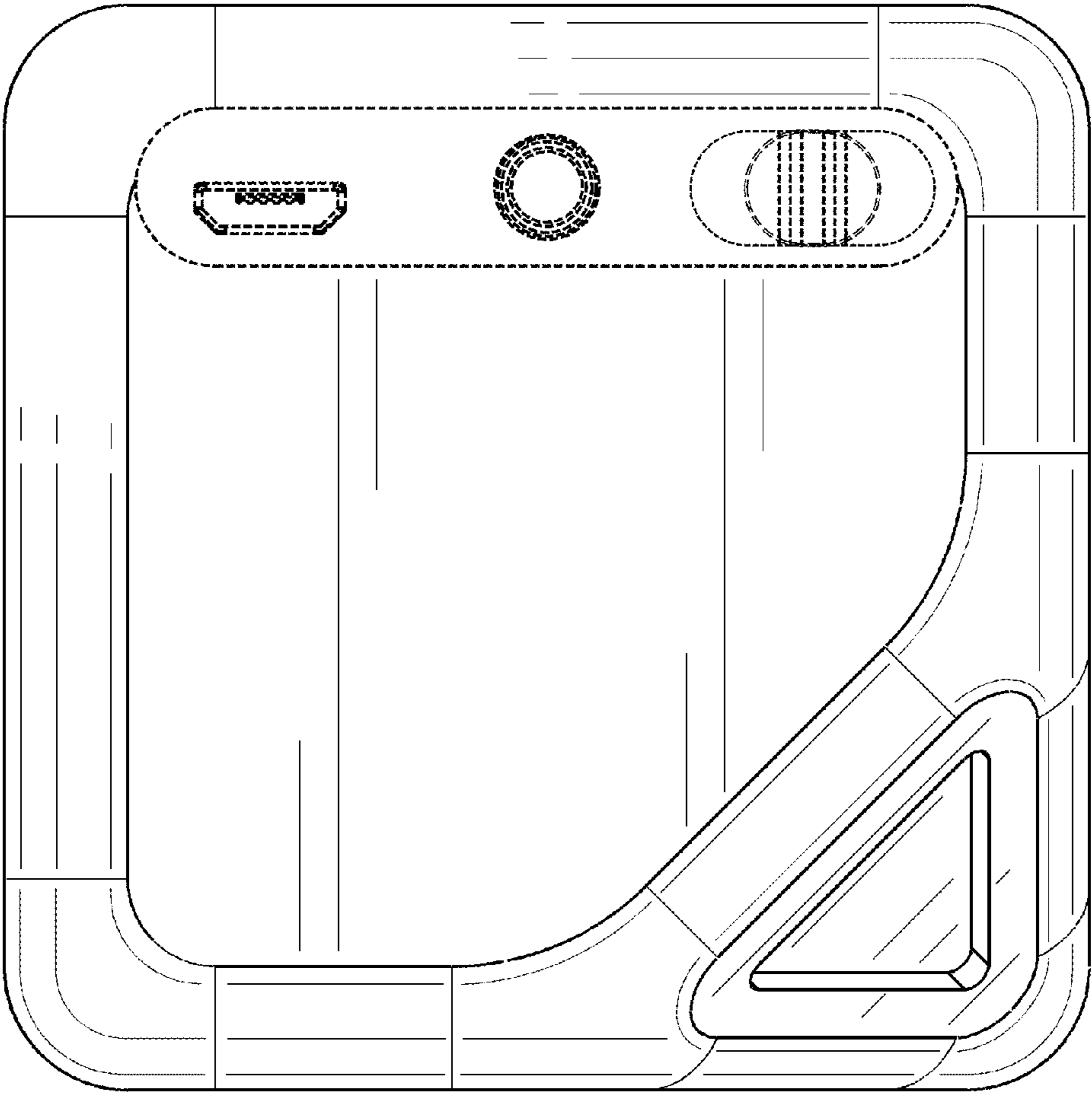


FIG. 3

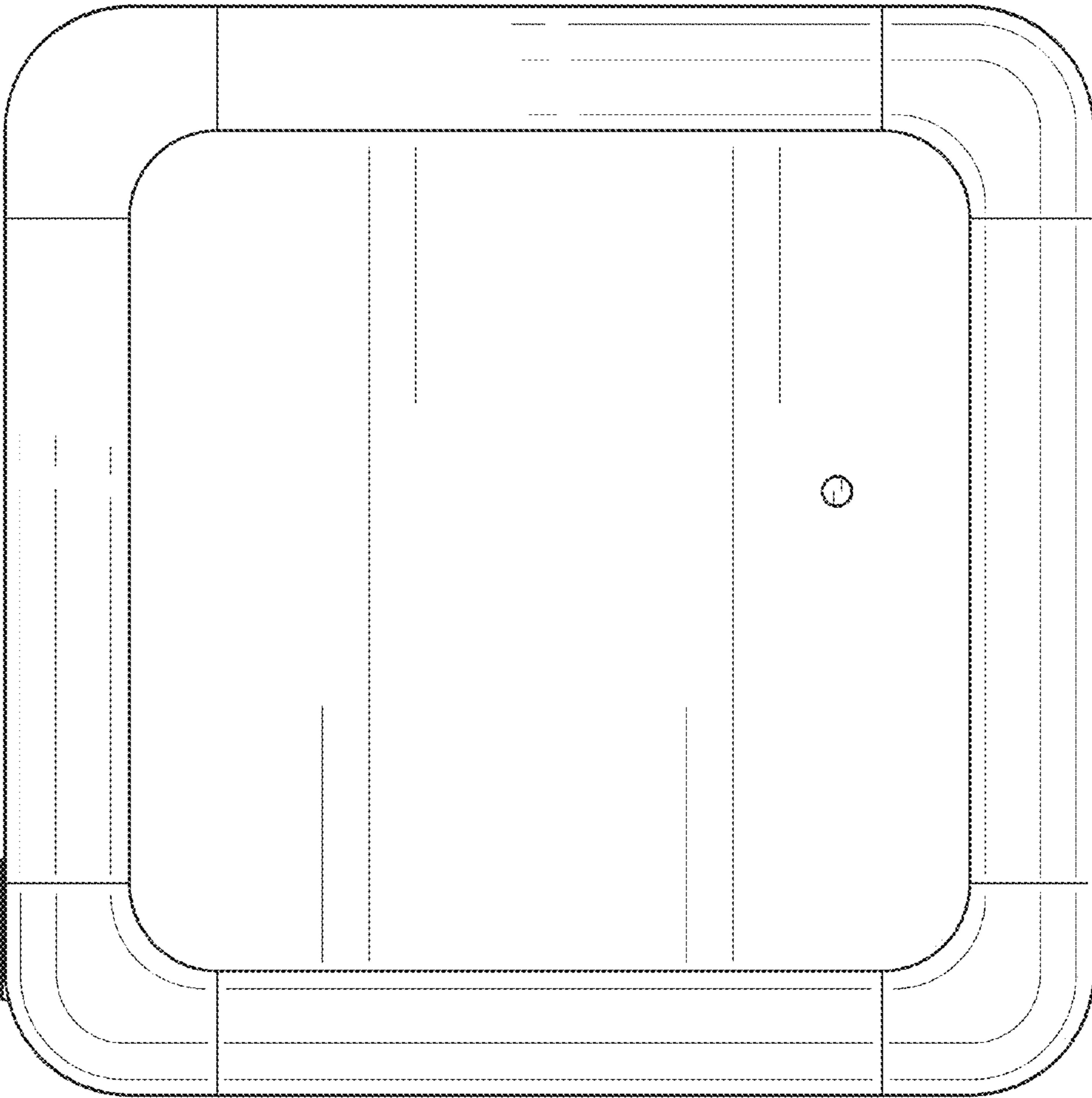


FIG. 4

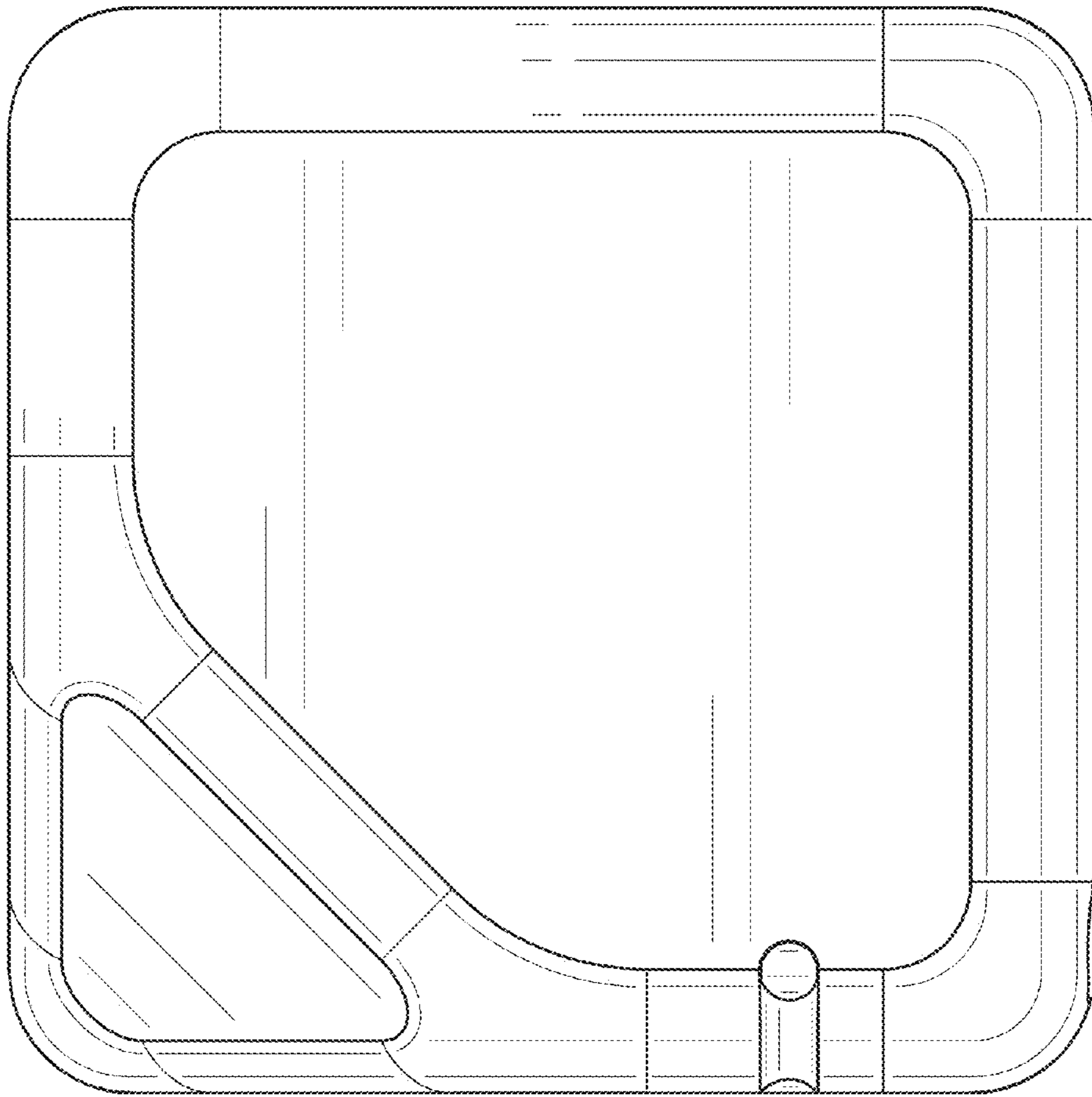


FIG. 5

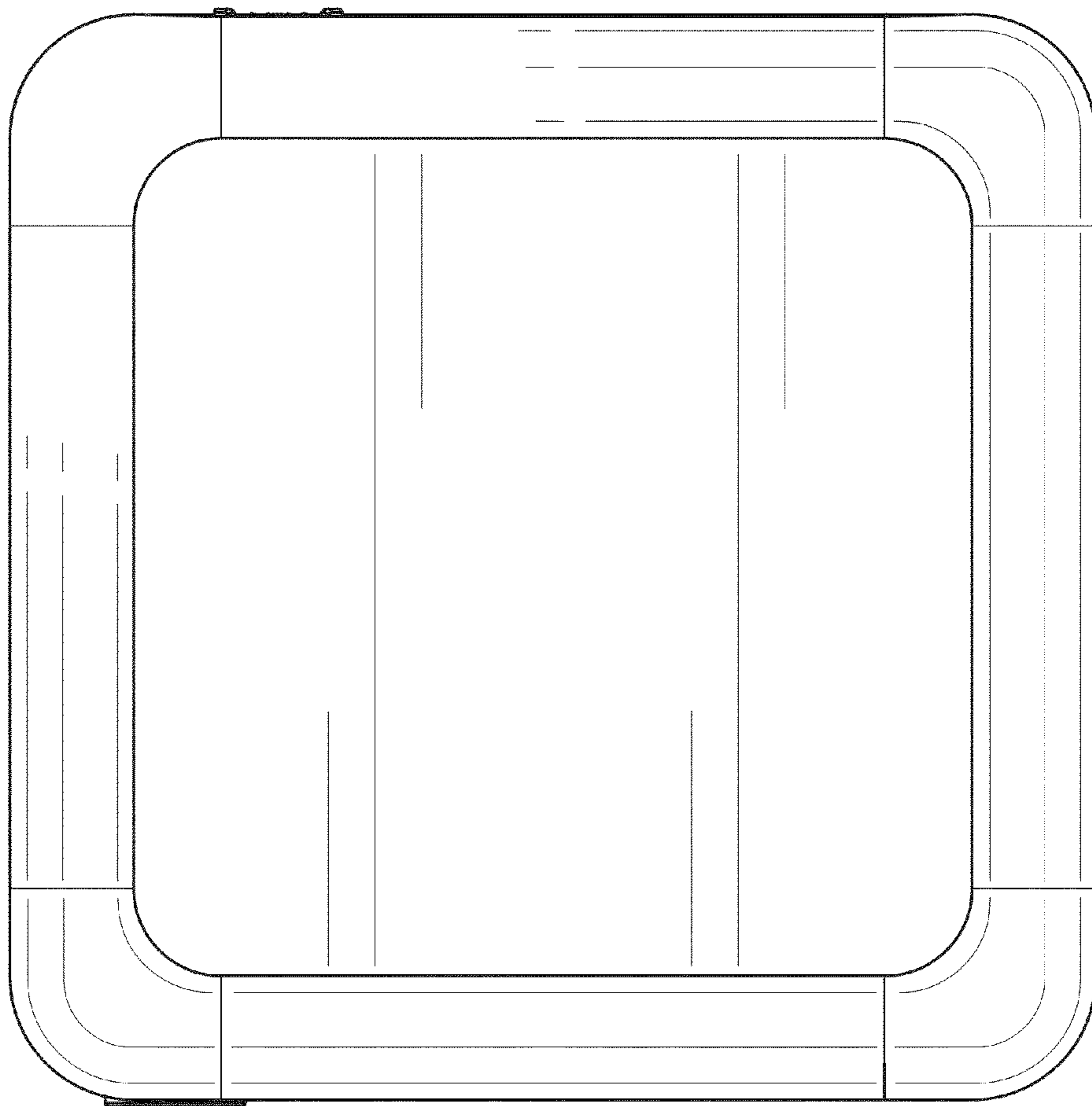


FIG. 6

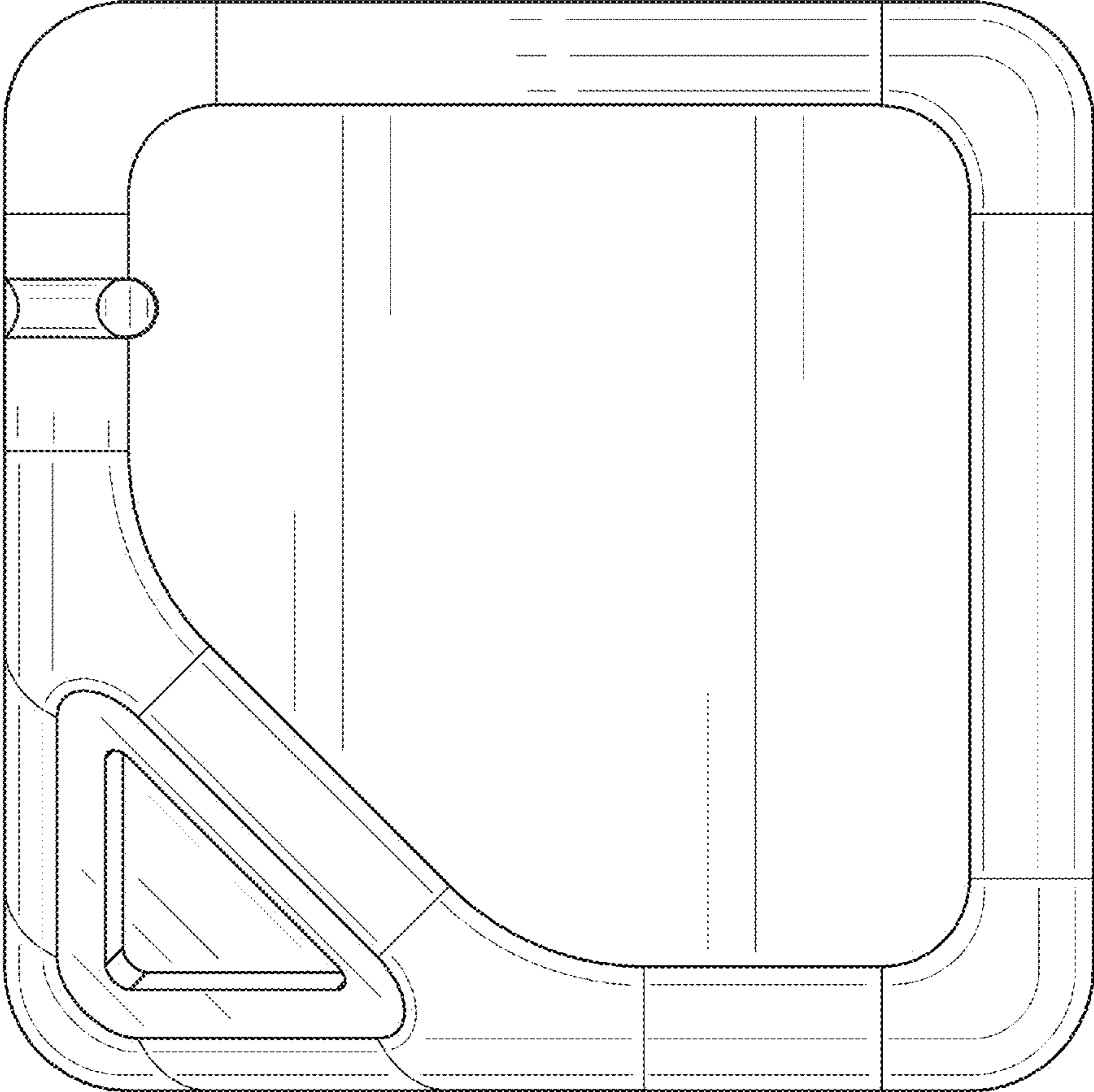


FIG. 7

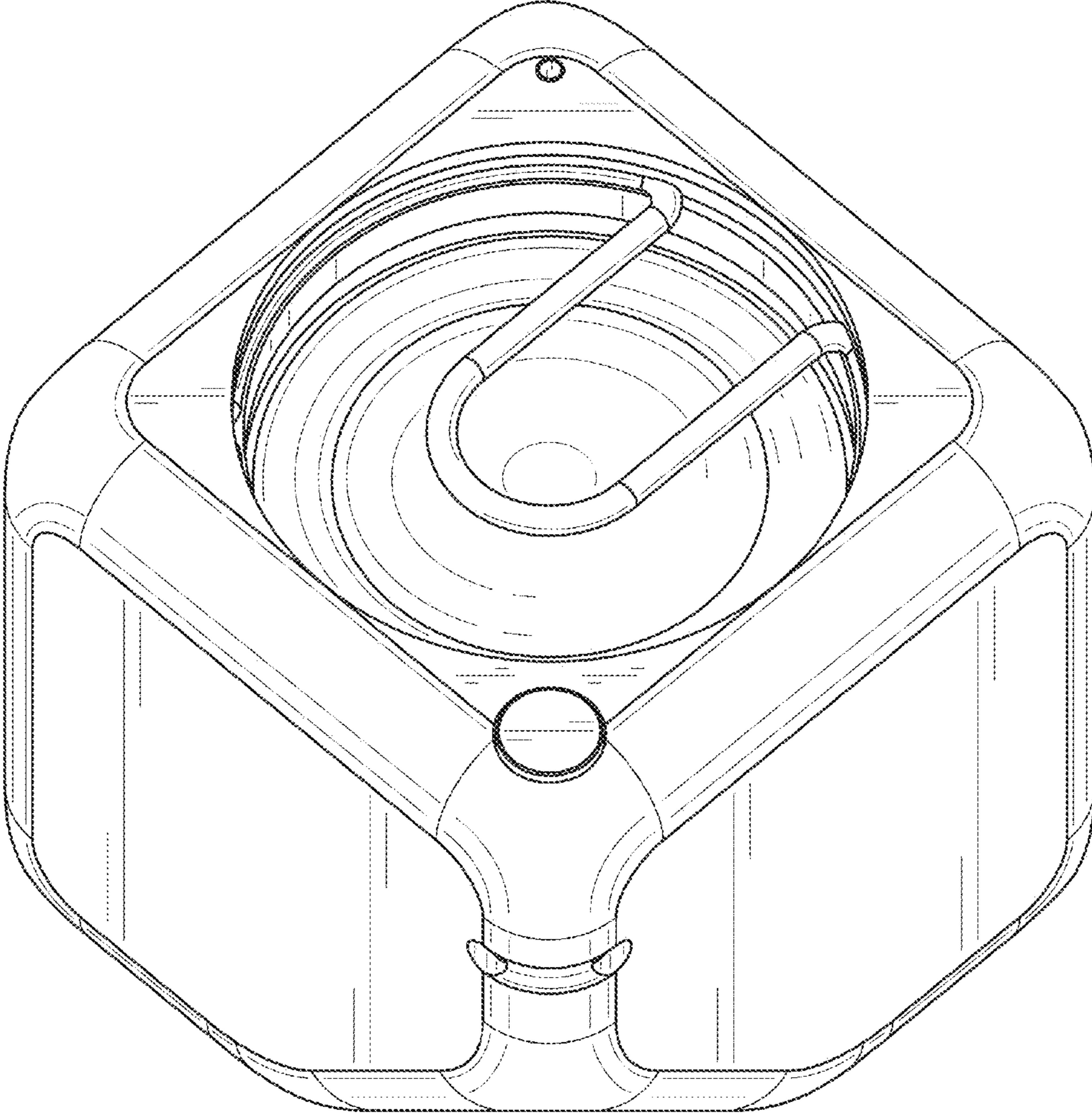


FIG. 8