



US00D750045S

(12) **United States Design Patent**  
**Wong**

(10) **Patent No.:** **US D750,045 S**

(45) **Date of Patent:** **\*\* Feb. 23, 2016**

(54) **SPEAKER FOR DJ SOUND SYSTEM**

H04R 2499/15; H04S 3/00; H04S 7/30  
See application file for complete search history.

(71) Applicant: **GIBSON INNOVATIONS BELGIUM N.V.**, Leuven (BE)

(56) **References Cited**

(72) Inventor: **Shun Cheong King Wong**, Hong Kong (CN)

U.S. PATENT DOCUMENTS

(73) Assignee: **Gibson Innovations Belgium NV**, Leuven (BE)

D324,389	S	*	3/1992	Kamata	.....	D14/215
D503,933	S	*	4/2005	Lum	.....	D14/215
D563,390	S	*	3/2008	Vafiadis	.....	D14/215
D692,861	S	*	11/2013	Paterson	.....	D14/214
D729,202	S	*	5/2015	Shin et al.	.....	D14/215

(\*\*) Term: **14 Years**

\* cited by examiner

(21) Appl. No.: **29/482,769**

*Primary Examiner* — Keli L Hill

(22) Filed: **Feb. 21, 2014**

(57) **CLAIM**

The ornamental design for speaker for dj sound system, as shown and described.

(30) **Foreign Application Priority Data**

**DESCRIPTION**

Aug. 21, 2013 (EM) ..... 002294694-0002

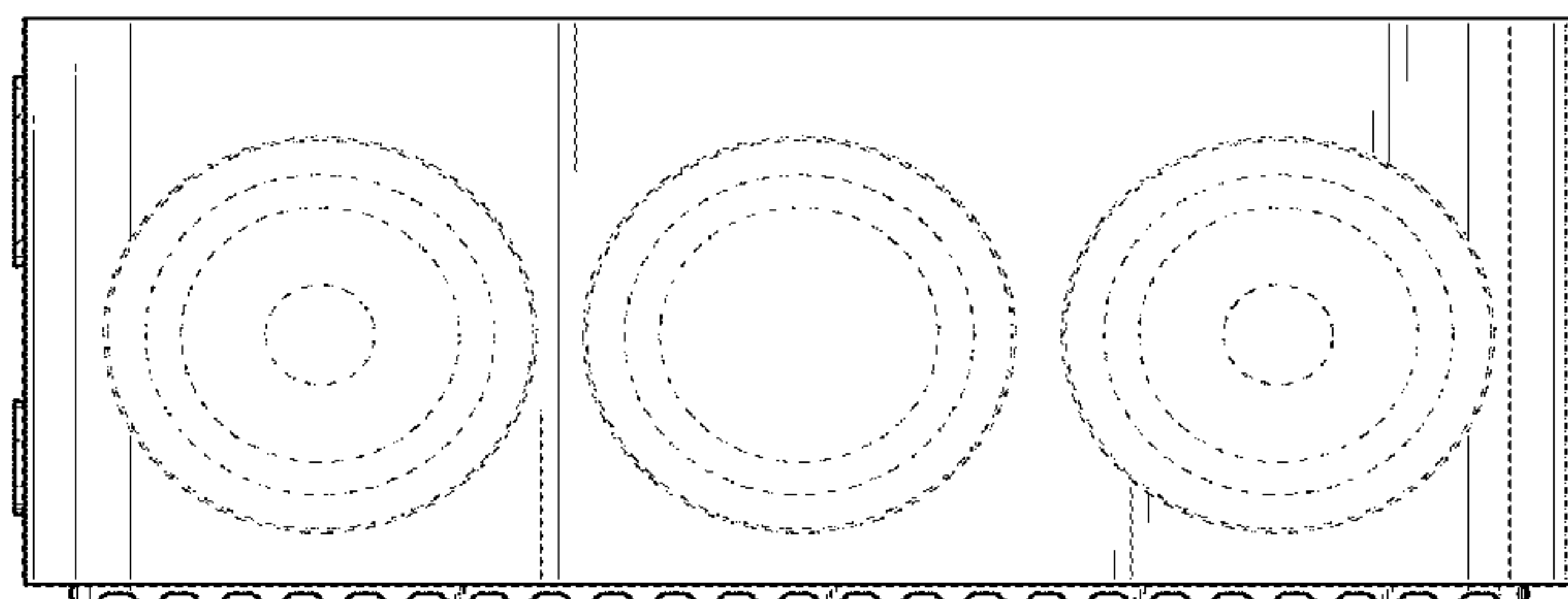
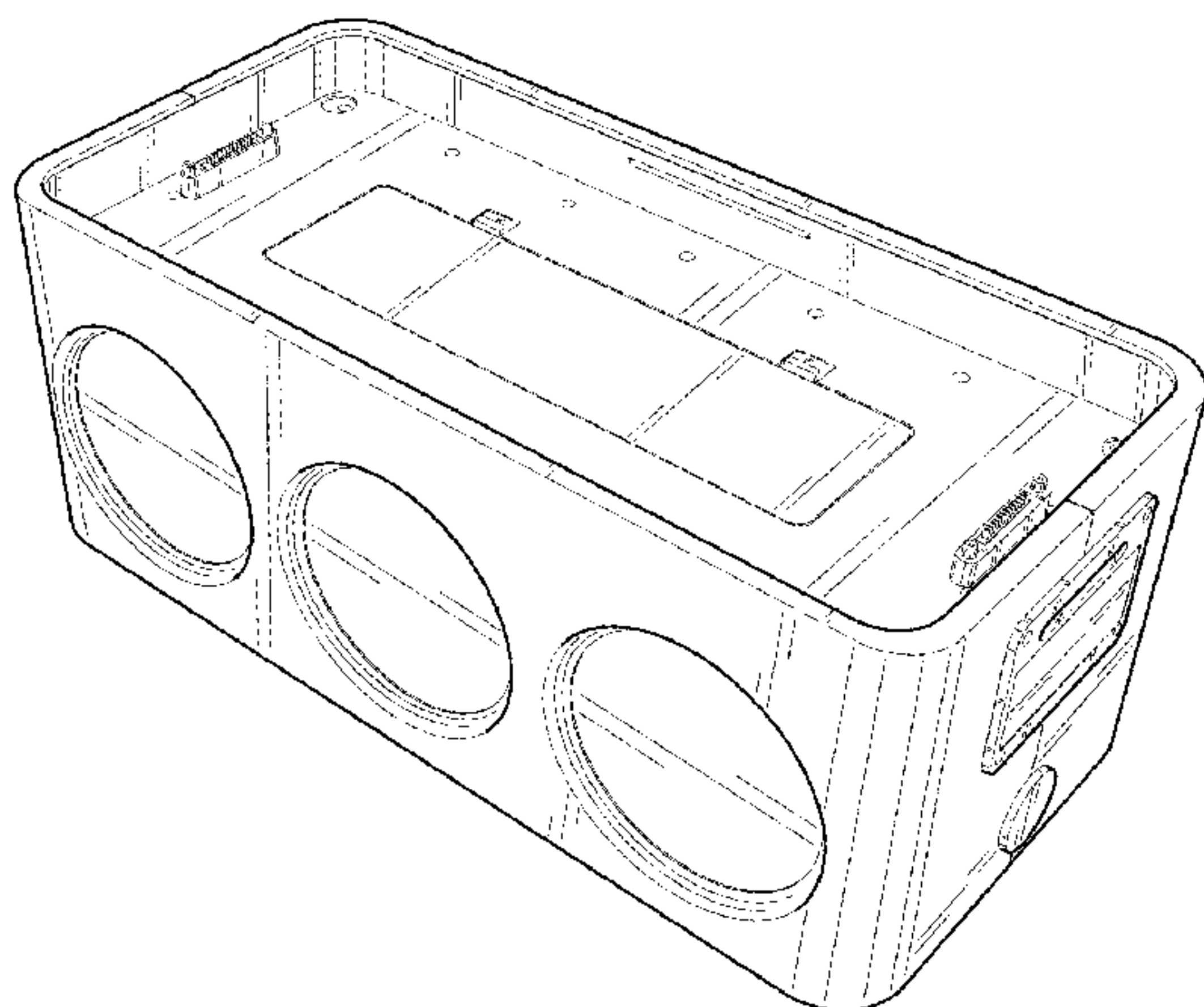
(51) **LOC (10) Cl.** ..... **14-03**

(52) **U.S. Cl.**  
USPC ..... **D14/215**

(58) **Field of Classification Search**  
 USPC ..... D14/167, 168, 170–172, 188, 194–196, D14/204, 207, 209.1, 210–216, 219, 221, D14/222, 224, 496; 181/143, 144, 147, 148, 181/150, 153, 157, 198, 199; 381/300–303, 381/306, 332, 333, 336, 345, 361–364, 381/386–388; 369/6–12  
 CPC ..... B60R 1/0217; G06F 1/1688; H04M 1/03; H04M 1/035; H04R 1/02; H04R 1/06; H04R 1/021; H04R 1/025; H04R 1/026; H04R 1/028; H04R 1/105; H04R 1/323; H04R 1/403; H04R 1/2803; H04R 1/2834; H04R 5/02; H04R 7/20; H04R 9/06; H04R 9/025; H04R 2201/021; H04R 2400/00; H04R 2400/07; H04R 2499/11; H04R 2499/13;

FIG. 1 is a perspective view of a speaker for dj sound system, showing my new design;  
 FIG. 2 is a front elevational view of the speaker for dj sound system of FIG. 1;  
 FIG. 3 is a rear elevational view of the speaker for dj sound system of FIG. 1;  
 FIG. 4 is a left elevational view of the speaker for dj sound system of FIG. 1;  
 FIG. 5 is a right elevational view of the speaker for dj sound system of FIG. 1;  
 FIG. 6 is a top elevational view of the speaker for dj sound system of FIG. 1; and,  
 FIG. 7 is a bottom elevational view of the speaker for dj sound system of FIG. 1.  
 The broken lines shown in the drawings represent unclaimed portions of the speaker for dj sound system and form no part of the claimed design.

**1 Claim, 4 Drawing Sheets**



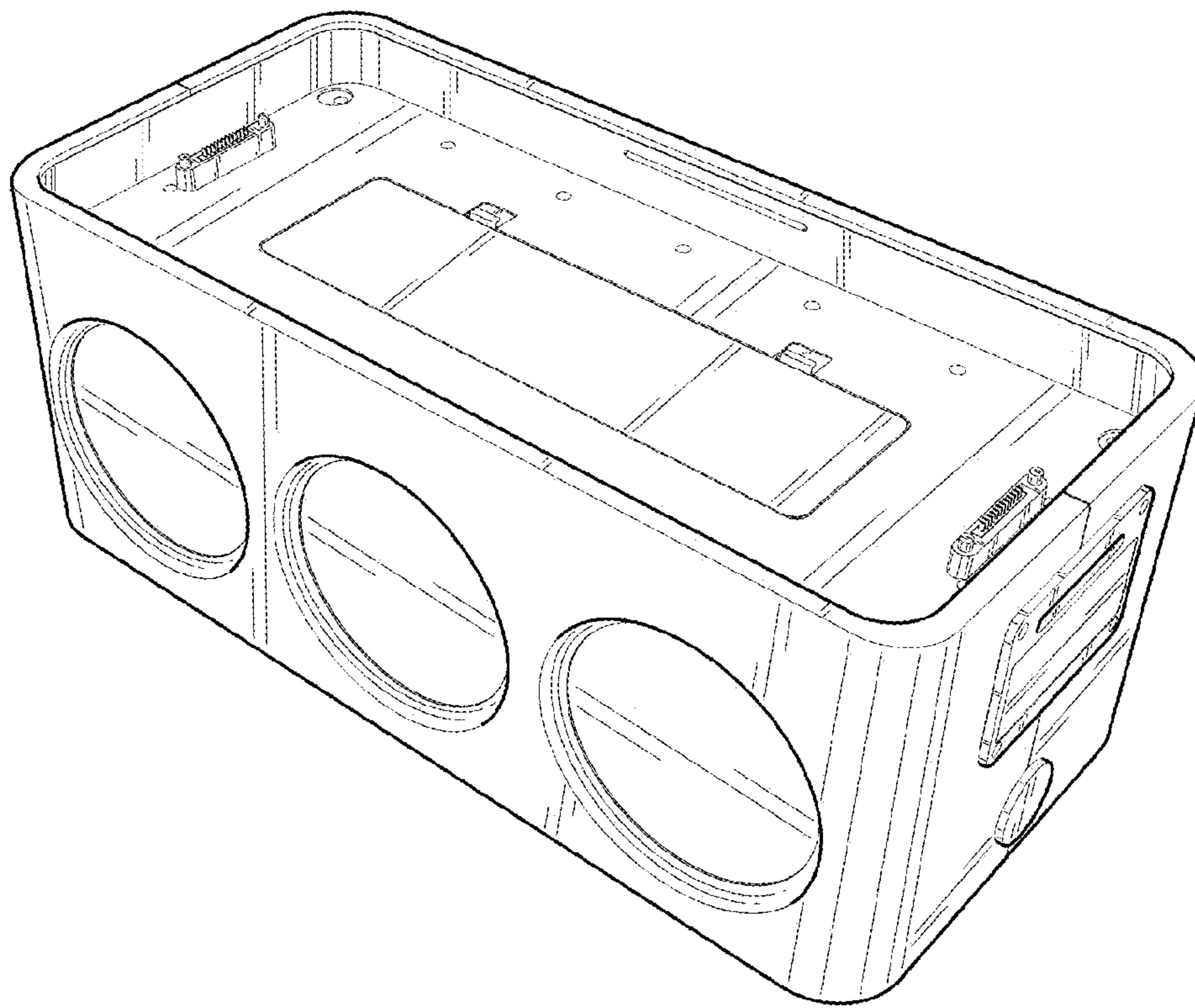


FIG. 1

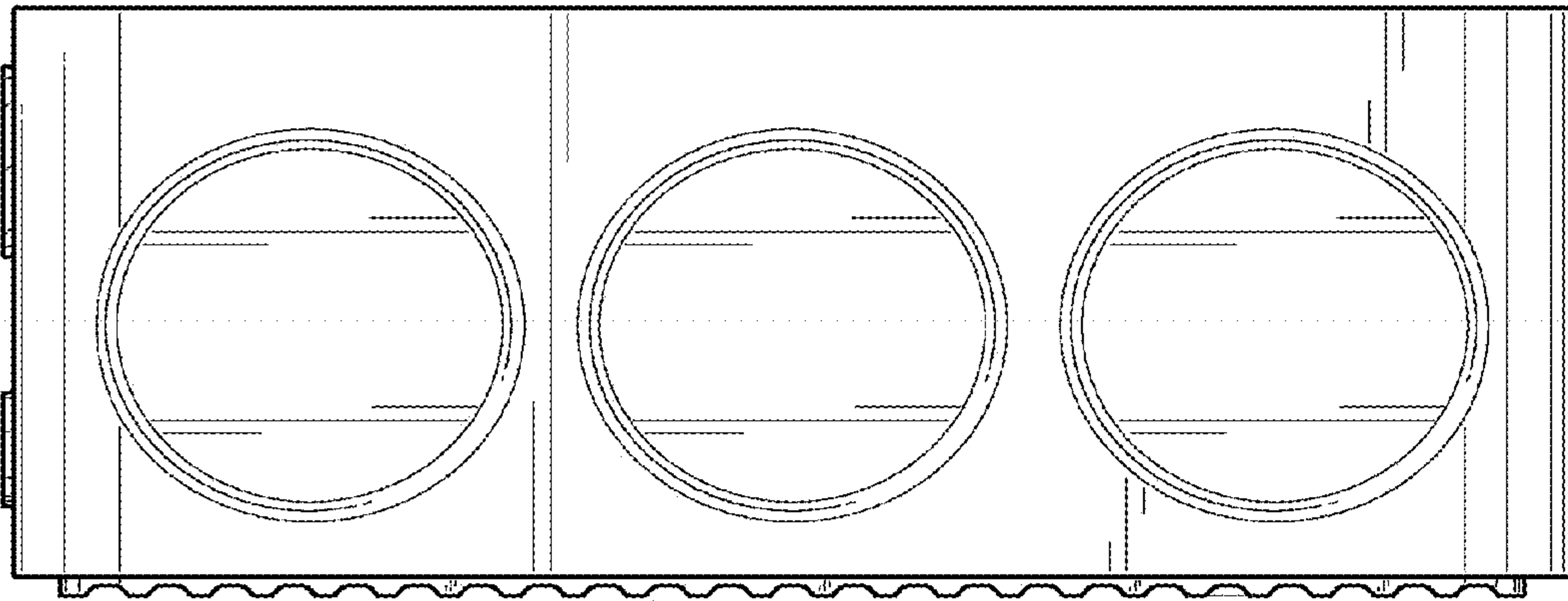


FIG. 2

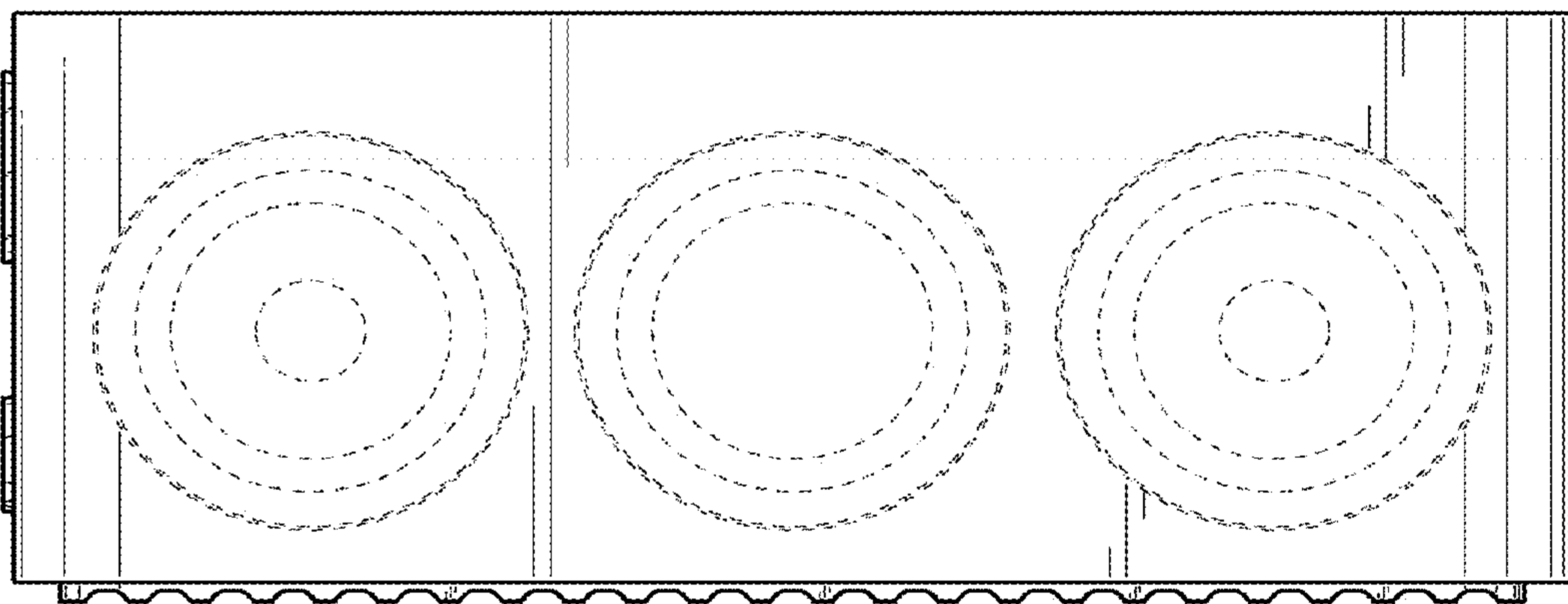


FIG. 3

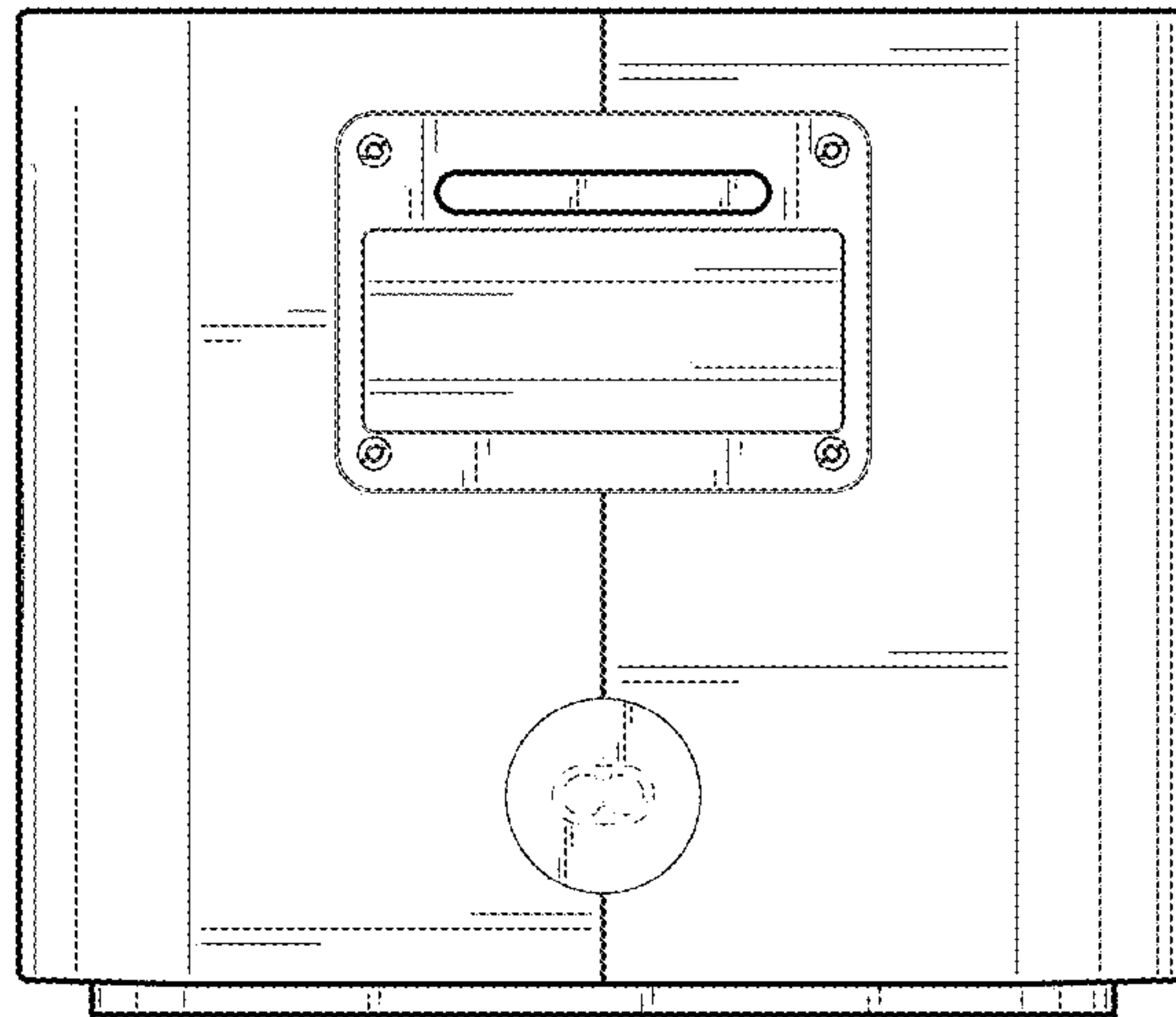


FIG. 4

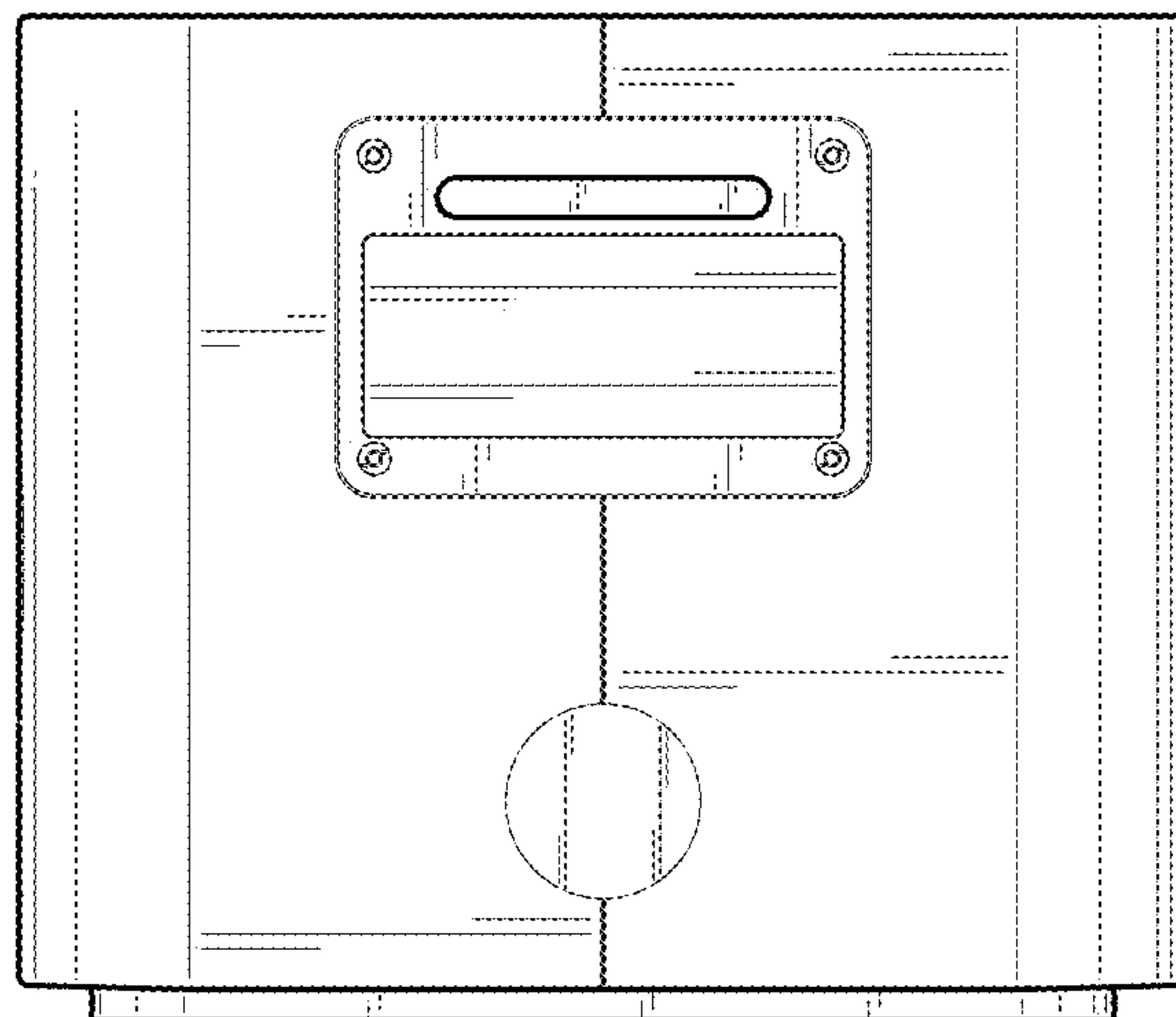


FIG. 5



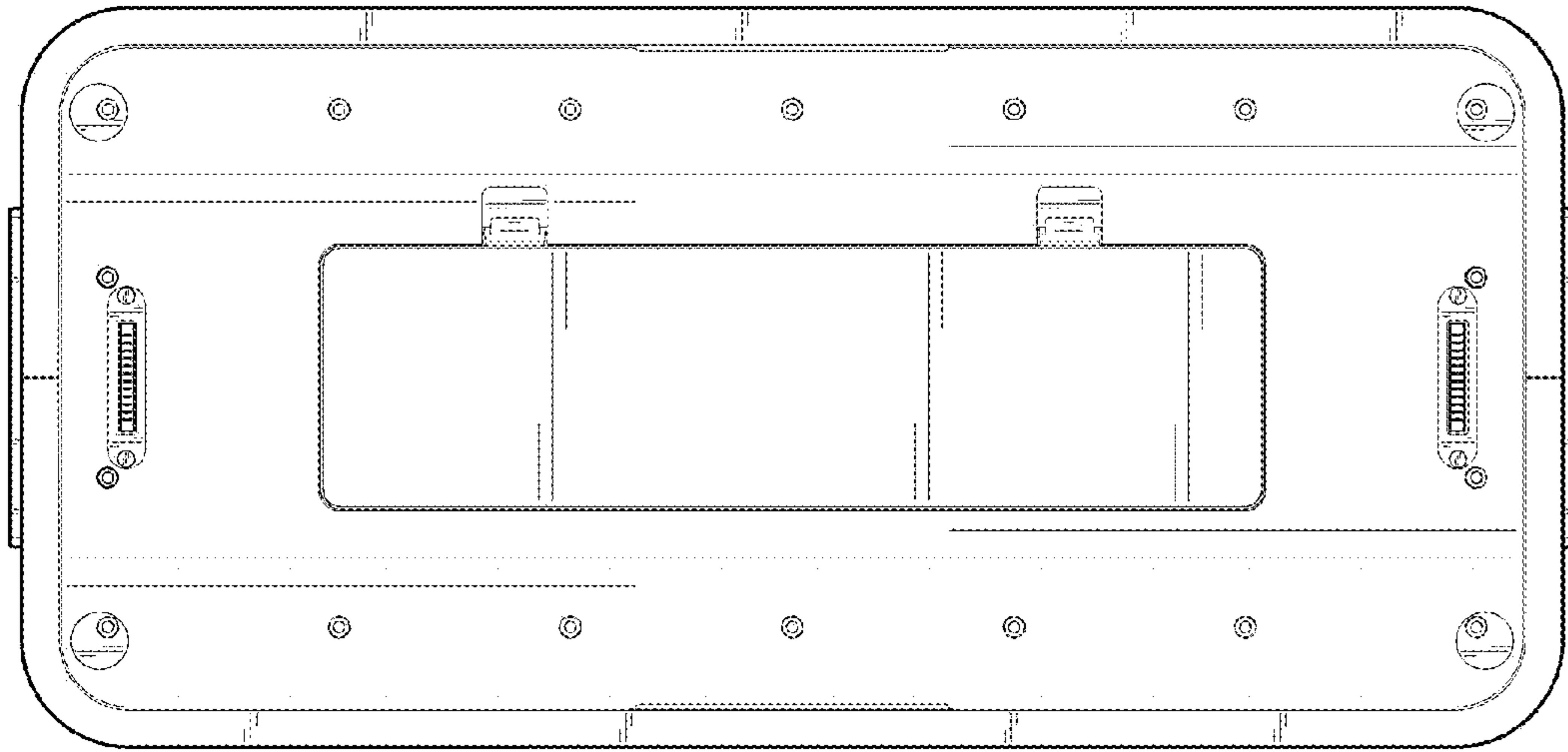


FIG. 6

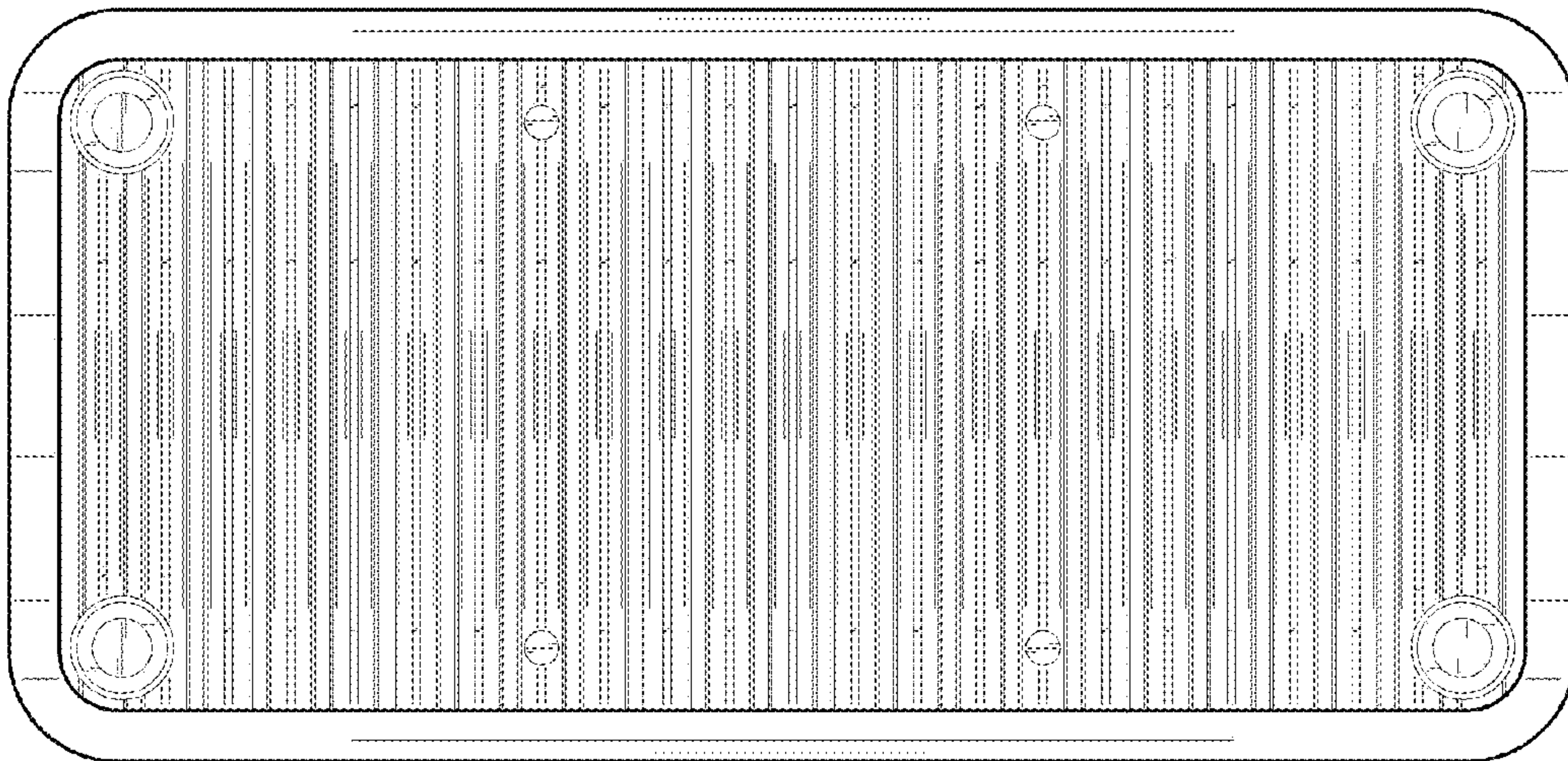


FIG. 7