

US00D750043S

(12) **United States Design Patent**  
**Birger**

(10) **Patent No.:** **US D750,043 S**  
(45) **Date of Patent:** **\*\* Feb. 23, 2016**

- (54) **COMMUNICATION HEADSET**
- (71) Applicant: **GN Netcom A/S**, Ballerup (DK)
- (72) Inventor: **Johan Birger**, Ballerup (DK)
- (73) Assignee: **GN Netcom A/S** (DK)
- (\*\*) Term: **14 Years**
- (21) Appl. No.: **29/509,469**
- (22) Filed: **Nov. 18, 2014**

(30) **Foreign Application Priority Data**

May 28, 2014 (EM) ..... 002472175-0001  
 May 28, 2014 (EM) ..... 002472175-0002

- (51) **LOC (10) Cl.** ..... **14-01**
- (52) **U.S. Cl.**  
USPC ..... **D14/206**
- (58) **Field of Classification Search**  
USPC ..... D14/223, 206, 205, 225, 226; 181/129,  
181/130, 135; 379/430, 431; 381/380, 381;  
455/90.3, 575, 1  
CPC ..... H04R 1/1016  
See application file for complete search history.

(56) **References Cited**

**U.S. PATENT DOCUMENTS**

- D403,327 S \* 12/1998 Landreth ..... D14/206
- D455,417 S \* 4/2002 Bey ..... D14/206
- D460,960 S \* 7/2002 Kao ..... D14/223
- D464,943 S \* 10/2002 Lai ..... D14/206
- D470,128 S \* 2/2003 Hlas ..... D14/205
- D470,835 S \* 2/2003 Bey ..... D14/206
- D471,898 S \* 3/2003 Bae ..... D14/205
- 6,771,790 B2 \* 8/2004 Liu ..... H04M 1/05  
381/375
- D512,991 S \* 12/2005 Yano ..... D14/223
- D517,054 S \* 3/2006 Yang ..... D14/205
- D538,792 S \* 3/2007 Kim ..... D14/223
- D539,782 S \* 4/2007 Lee ..... D14/188
- D562,310 S \* 2/2008 Moon ..... D14/223
- D568,301 S \* 5/2008 Kim ..... D14/205

- D581,395 S \* 11/2008 Sade ..... D14/205
- D582,388 S \* 12/2008 Nielsen ..... D14/205
- D590,813 S \* 4/2009 Bradford ..... D14/205
- 7,536,008 B2 \* 5/2009 Howes ..... H04R 1/083  
379/433.01
- D595,698 S \* 7/2009 Guccione ..... D14/223
- D597,084 S \* 7/2009 Gondo ..... D14/223
- D603,378 S \* 11/2009 Paradise ..... D14/223
- 7,708,110 B2 \* 5/2010 Leong ..... A61F 11/08  
128/867
- 7,778,410 B2 \* 8/2010 Liu ..... H04M 1/05  
379/430
- D624,529 S \* 9/2010 Huang ..... D14/206
- D634,305 S \* 3/2011 Hoggarth ..... D14/223
- D635,960 S \* 4/2011 Gondo ..... D14/223
- D645,456 S \* 9/2011 Carr ..... D14/223

(Continued)

**OTHER PUBLICATIONS**

Jabra Style Headset; Item No. 100-99600000-02, Product Sheet, GN Netcom A/S, Lautrupbjerg 7, DK-2750 Ballerup, Denmark; Sep. 2013.

(Continued)

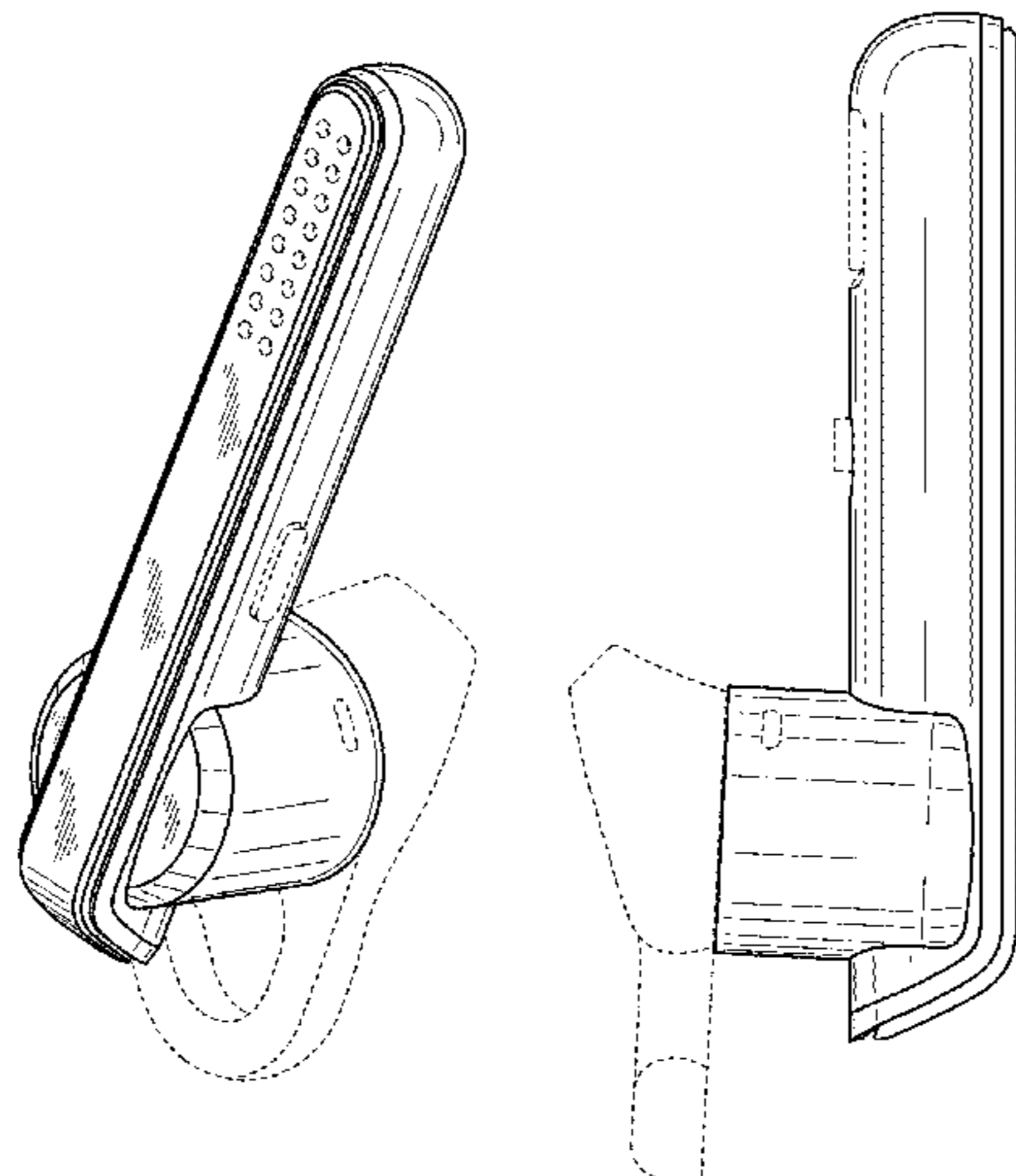
*Primary Examiner* — Paula Greene  
(74) *Attorney, Agent, or Firm* — Altera Law Group, LLC

(57) **CLAIM**  
The ornamental design for a communication headset, as shown and described.

**DESCRIPTION**

FIG. 1 is a perspective view of a communications headset showing my new design;  
FIG. 2 is a right side view thereof;  
FIG. 3 is a left side view thereof;  
FIG. 4 is a front view thereof;  
FIG. 5 is a back view thereof;  
FIG. 6 is a bottom view thereof; and,  
FIG. 7 is a top view thereof.  
The features shown in broken lines depict environmental subject matter only and form no part of the claimed design.

**1 Claim, 4 Drawing Sheets**



(56)

**References Cited**

**OTHER PUBLICATIONS**

U.S. PATENT DOCUMENTS

D645,457 S \* 9/2011 Carr ..... D14/223  
D681,014 S \* 4/2013 Ham ..... D14/206  
D708,599 S \* 7/2014 Ang ..... D14/223  
D712,382 S \* 9/2014 Brunner ..... D14/223  
D713,822 S \* 9/2014 Paradise ..... D14/206  
D734,744 S \* 7/2015 Brunner ..... D14/223

Jabra Chill headset; Item No. 100-55210000-02, Product Sheet, GN

Netcom A/S, Lautrupbjerg 7, DK-2750 Ballerup, Denmark; Nov.  
2010.

\* cited by examiner

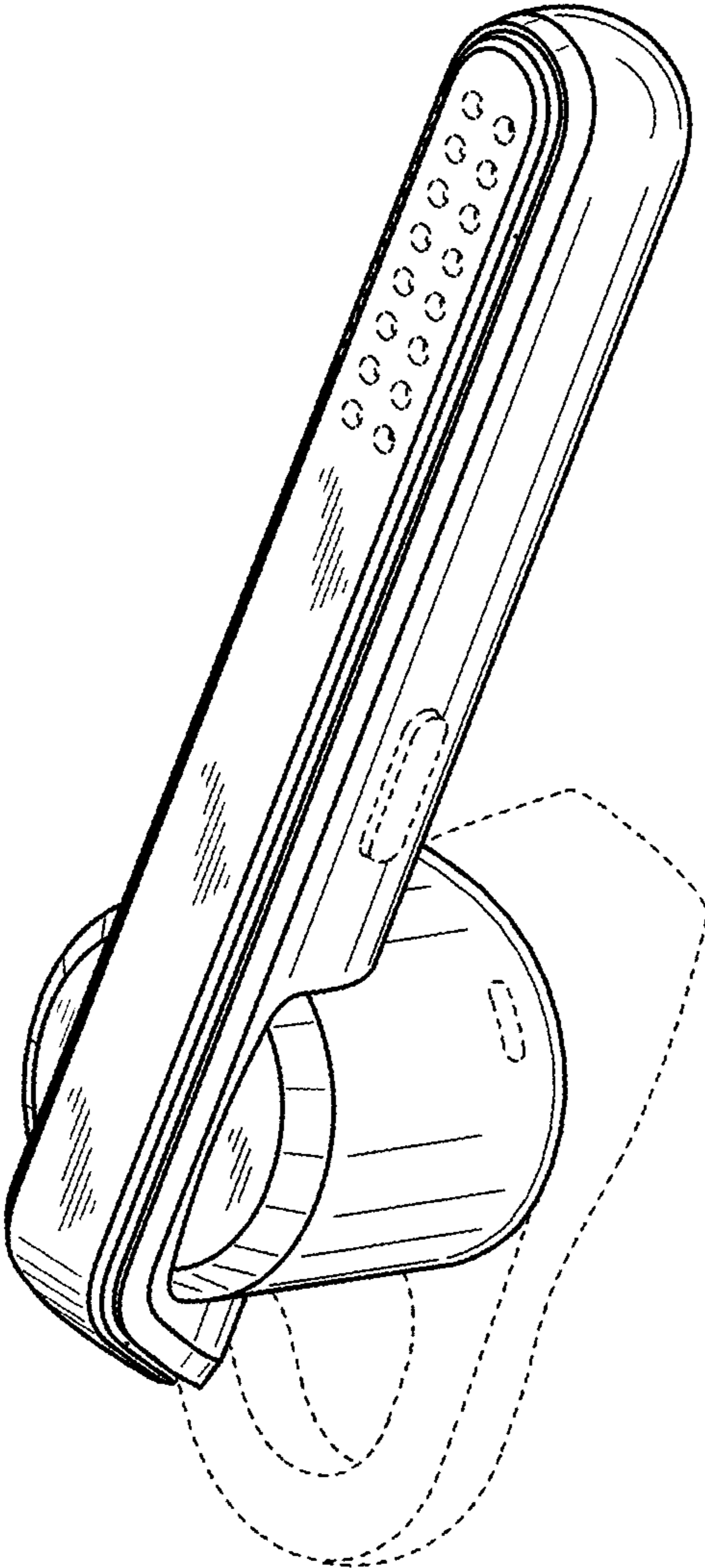


FIG. 1

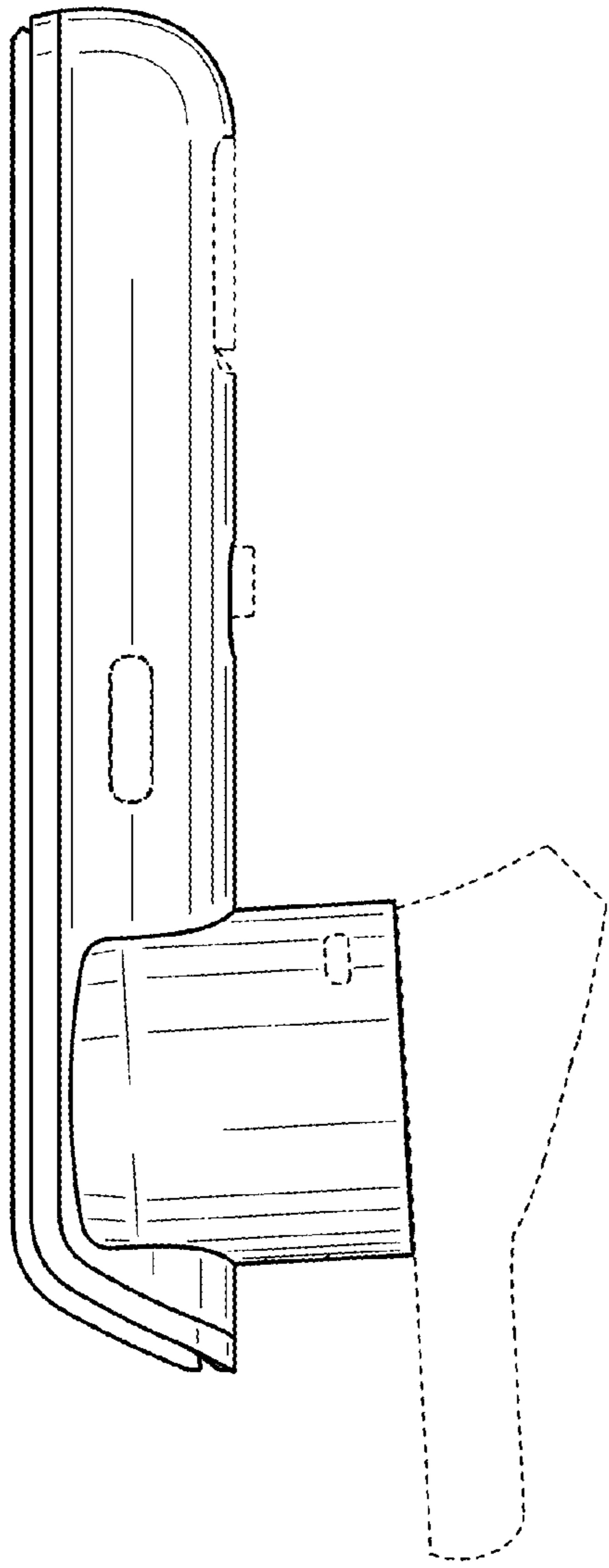


FIG. 2

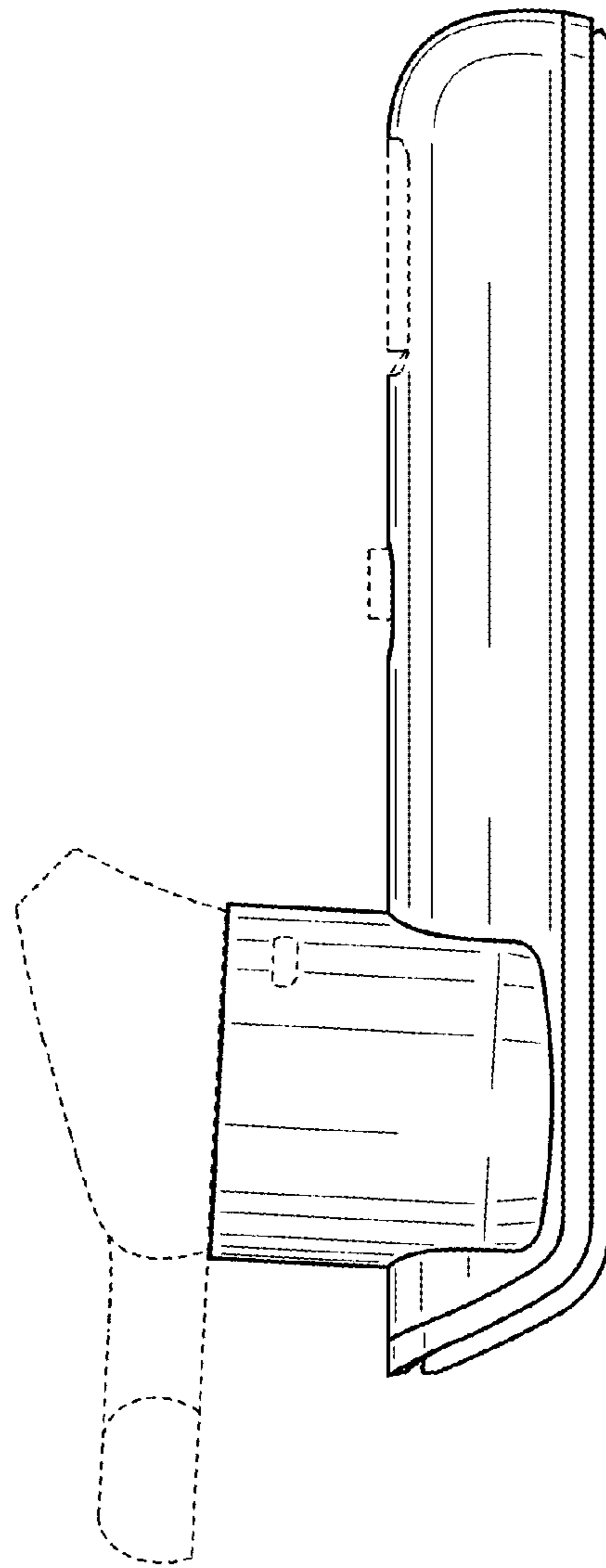


FIG. 3

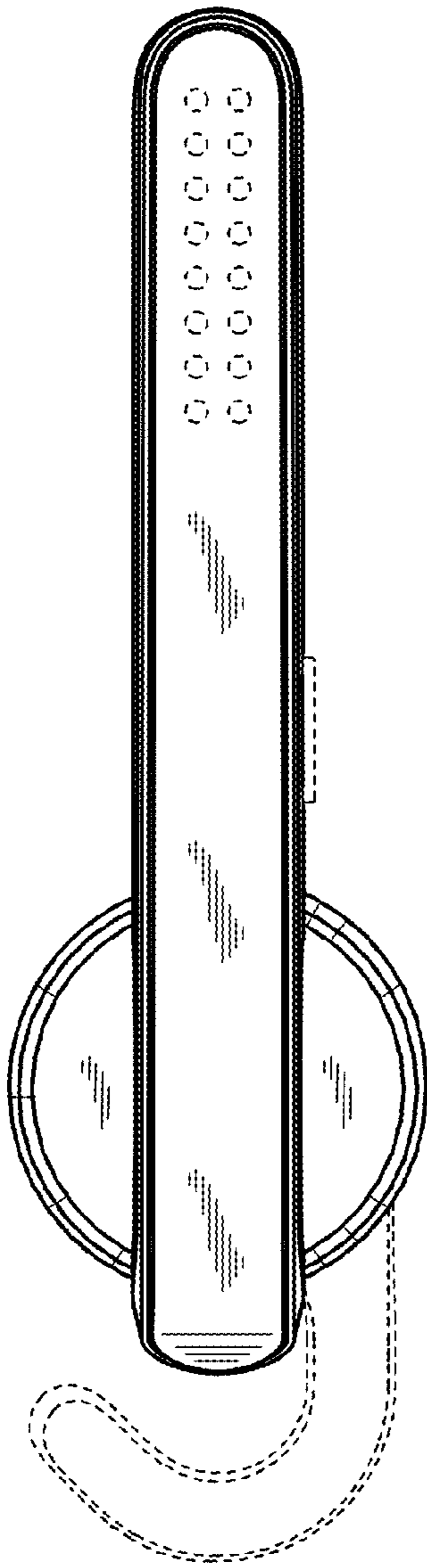


FIG. 4

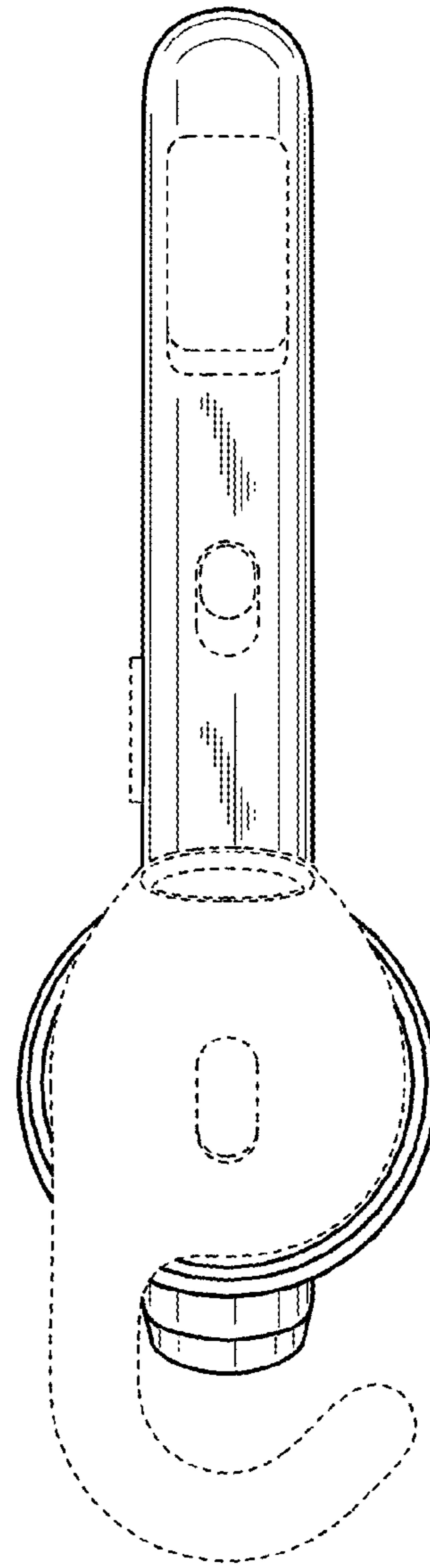


FIG. 5

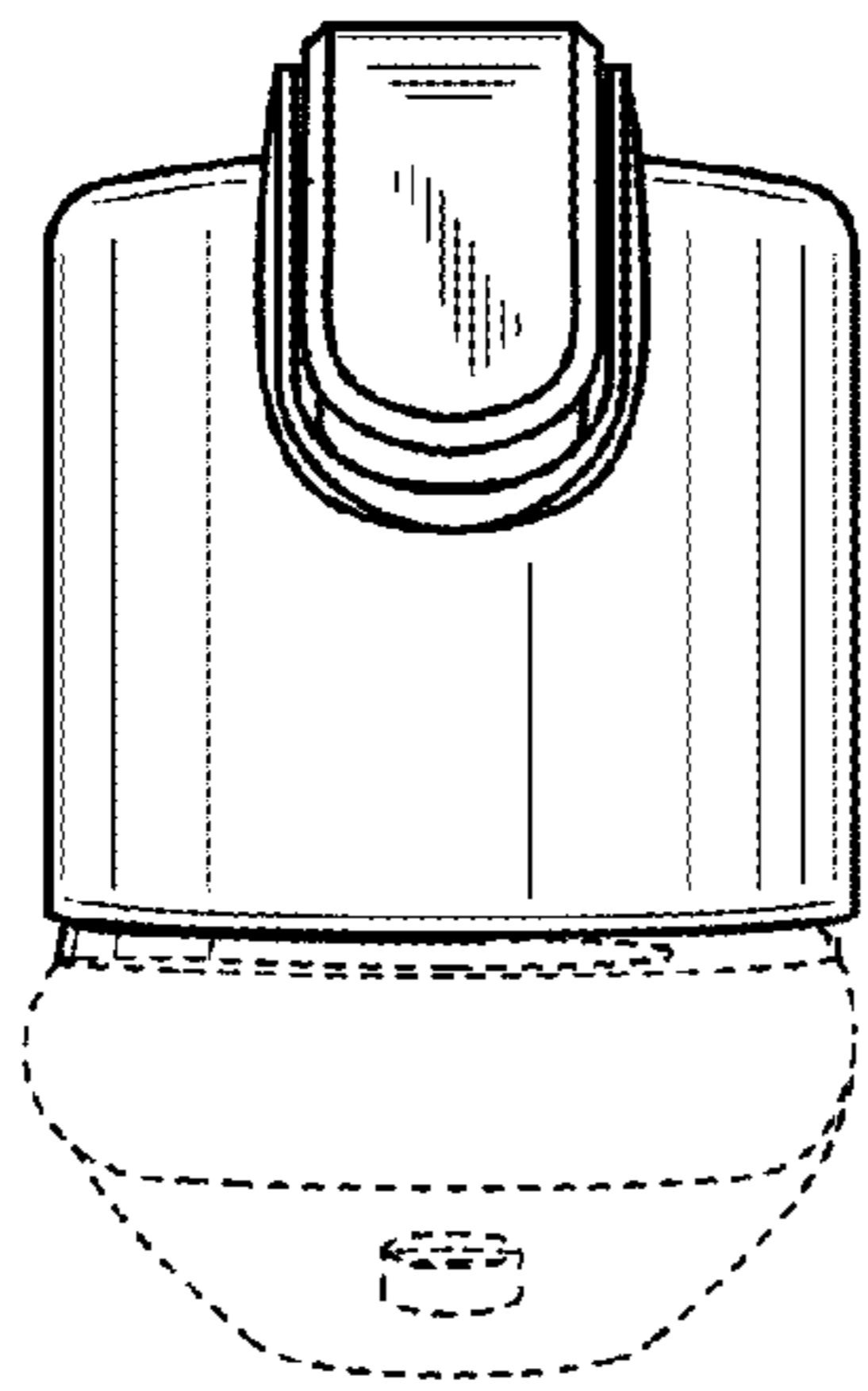


FIG. 6

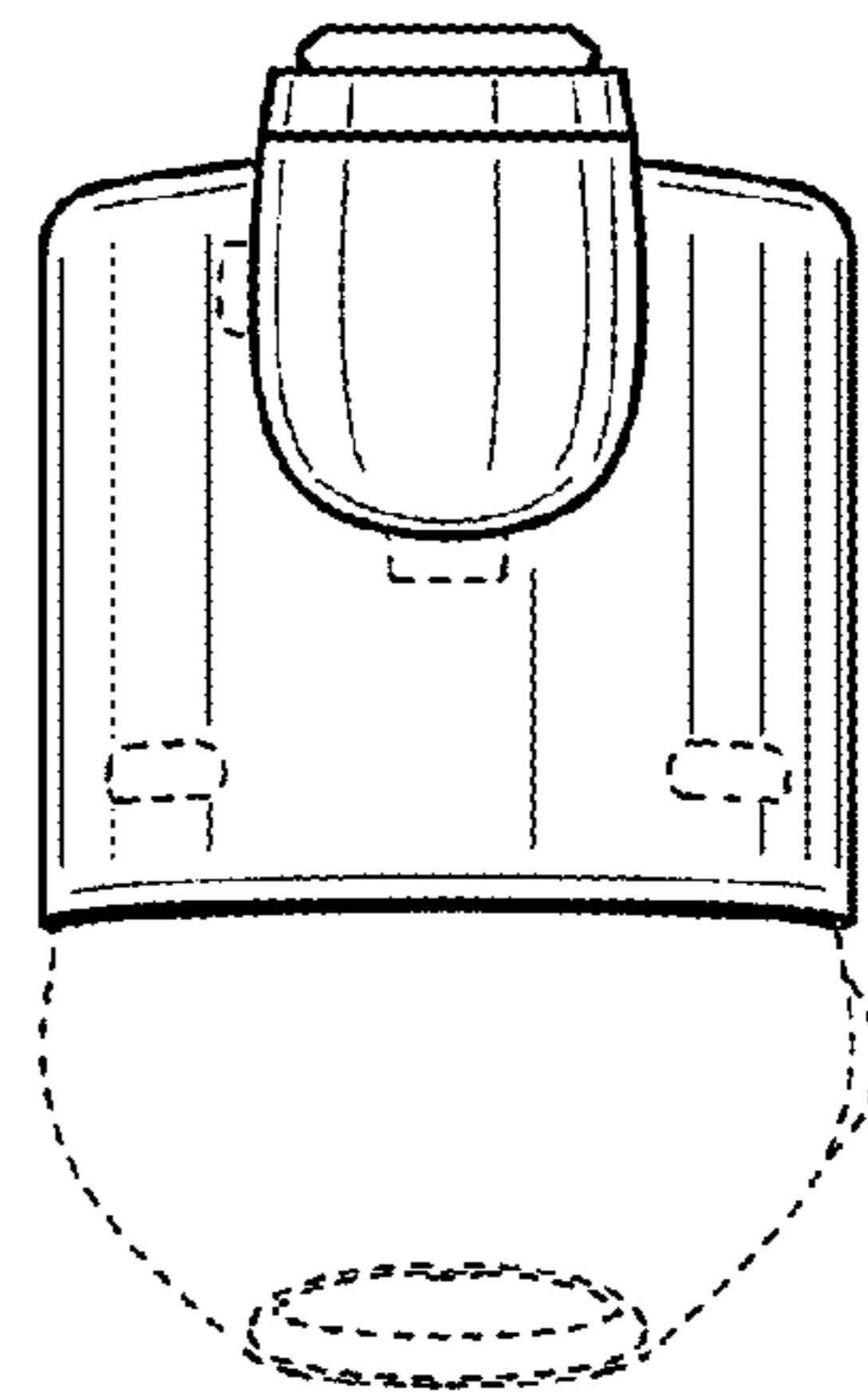


FIG. 7