



US00D750041S

(12) **United States Design Patent**
Birger

(10) **Patent No.:** **US D750,041 S**
(45) **Date of Patent:** **** Feb. 23, 2016**

(54) **HEADPHONES**

(71) Applicant: **GN Netcom A/S, Ballerup (DK)**

(72) Inventor: **Johan Birger, Ballerup (DK)**

(73) Assignee: **GN Netcom A/S (DK)**

(**) Term: **14 Years**

(21) Appl. No.: **29/513,089**

(22) Filed: **Dec. 26, 2014**

(30) **Foreign Application Priority Data**

Jul. 3, 2014 (EM) 002495788-0001

(51) **LOC (10) Cl.** **14-01**

(52) **U.S. Cl.**
USPC **D14/205**

(58) **Field of Classification Search**
USPC D14/205, 206; 181/129, 130, 135;
379/430, 431; 381/380, 381, 374, 377,
381/378; D29/112; 2/209
CPC H04R 1/1066; H04R 5/0335
See application file for complete search history.

(56) **References Cited**

U.S. PATENT DOCUMENTS

- 1,560,718 A * 11/1925 Nowosielski H04R 1/1066
381/377
- 2,075,196 A * 3/1937 Hand H04R 1/1066
381/377
- 3,261,028 A * 7/1966 Coletta 2/209
- 3,454,964 A * 7/1969 Brinkhoff 2/209
- 3,864,756 A * 2/1975 Desimone 2/423
- D246,242 S * 11/1977 Bellini D14/205
- 4,133,053 A * 1/1979 Lundin 2/209
- 4,375,702 A * 3/1983 Lundin 2/423
- D301,145 S * 5/1989 Besasie et al. D14/205
- D317,767 S * 6/1991 Banks D14/205
- D328,074 S * 7/1992 Yamazaki et al. D14/205
- D328,461 S * 8/1992 Daido et al. D14/205
- 5,369,857 A * 12/1994 Sacherman et al. 29/594
- D484,485 S * 12/2003 Matsuoka D14/205

- 7,072,483 B2 * 7/2006 Lenhard-Backhaus 381/383
- D534,155 S * 12/2006 Obata D14/205
- D549,688 S * 8/2007 Suzuki D14/205
- D588,098 S * 3/2009 Kurihara D14/205
- D625,705 S * 10/2010 Ohori et al. D14/205
- D634,732 S * 3/2011 Kondo et al. D14/205
- D662,080 S * 6/2012 Carr et al. D14/205
- D673,929 S * 1/2013 Combs et al. D14/205
- D684,559 S * 6/2013 Groset et al. D14/205
- D699,702 S * 2/2014 Chen D14/205
- 8,737,668 B1 * 5/2014 Blair et al. 381/378
- D707,200 S * 6/2014 Yang D14/205
- D707,721 S * 6/2014 Hippoliti D15/15
- D721,052 S * 1/2015 Carr et al. D14/205
- D724,561 S * 3/2015 Ko D14/205
- D739,842 S * 9/2015 Birger D14/205

* cited by examiner

Primary Examiner — Paula Greene

(74) *Attorney, Agent, or Firm* — Altera Law Group, LLC

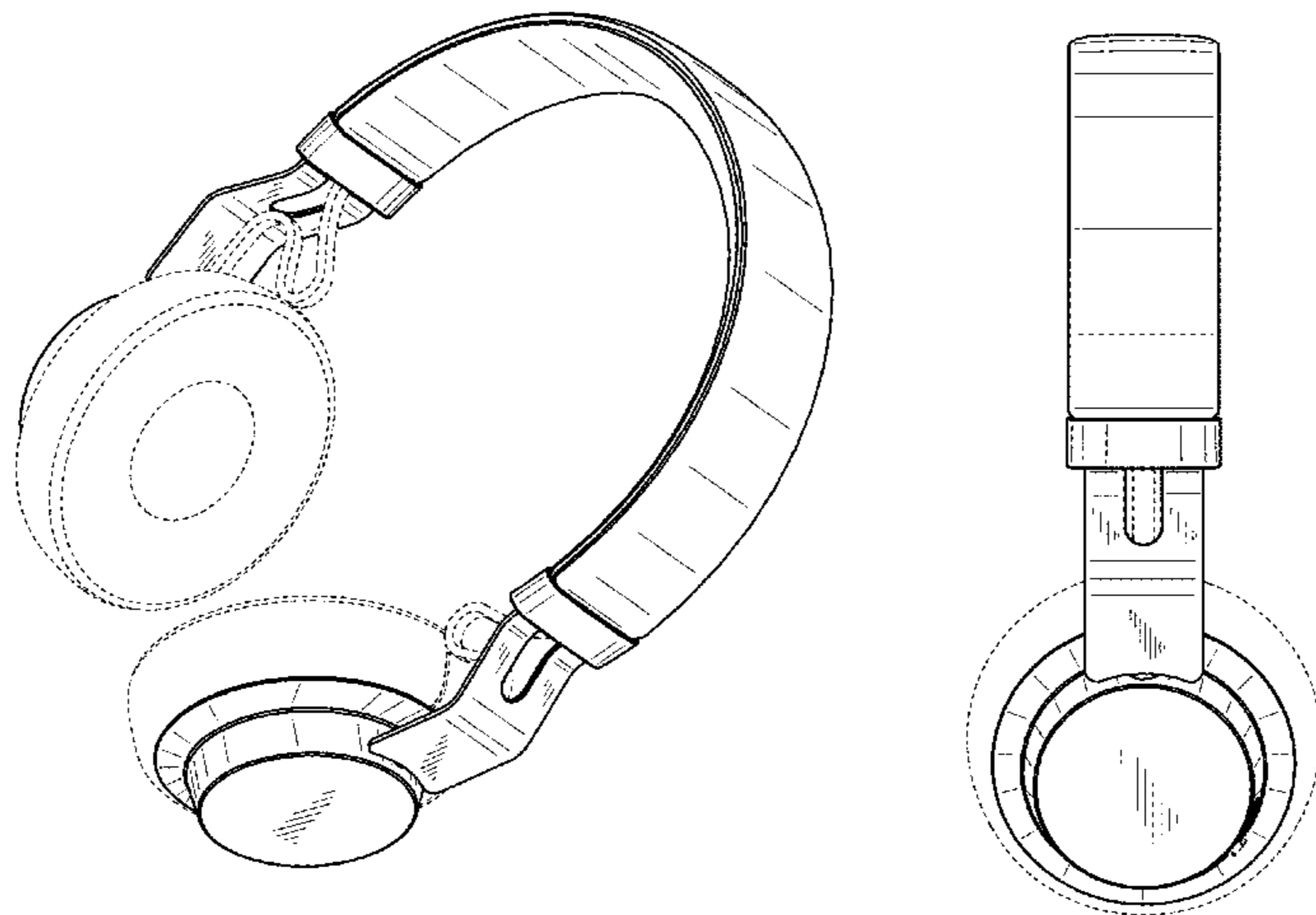
(57) **CLAIM**

The ornamental design for headphones, as shown and described.

DESCRIPTION

FIG. 1 is a perspective view of headphones.
 FIG. 2 is a side view thereof. The other side being a mirror image of claimed elements.
 FIG. 3 is a front view thereof.
 FIG. 4 is a back view thereof.
 FIG. 5 is a top view thereof.
 FIG. 6 is a bottom view thereof.
 FIG. 7 is a perspective view of a second embodiment of headphones.
 FIG. 8 is a side view thereof. The other side being a mirror image of claimed elements.
 FIG. 9 is a front view thereof.
 FIG. 10 is a back view thereof.
 FIG. 11 is a top view thereof; and,
 FIG. 12 is a bottom view thereof.
 The features shown in broken lines depict environmental subject matter only and form no part of the claimed design.

1 Claim, 10 Drawing Sheets



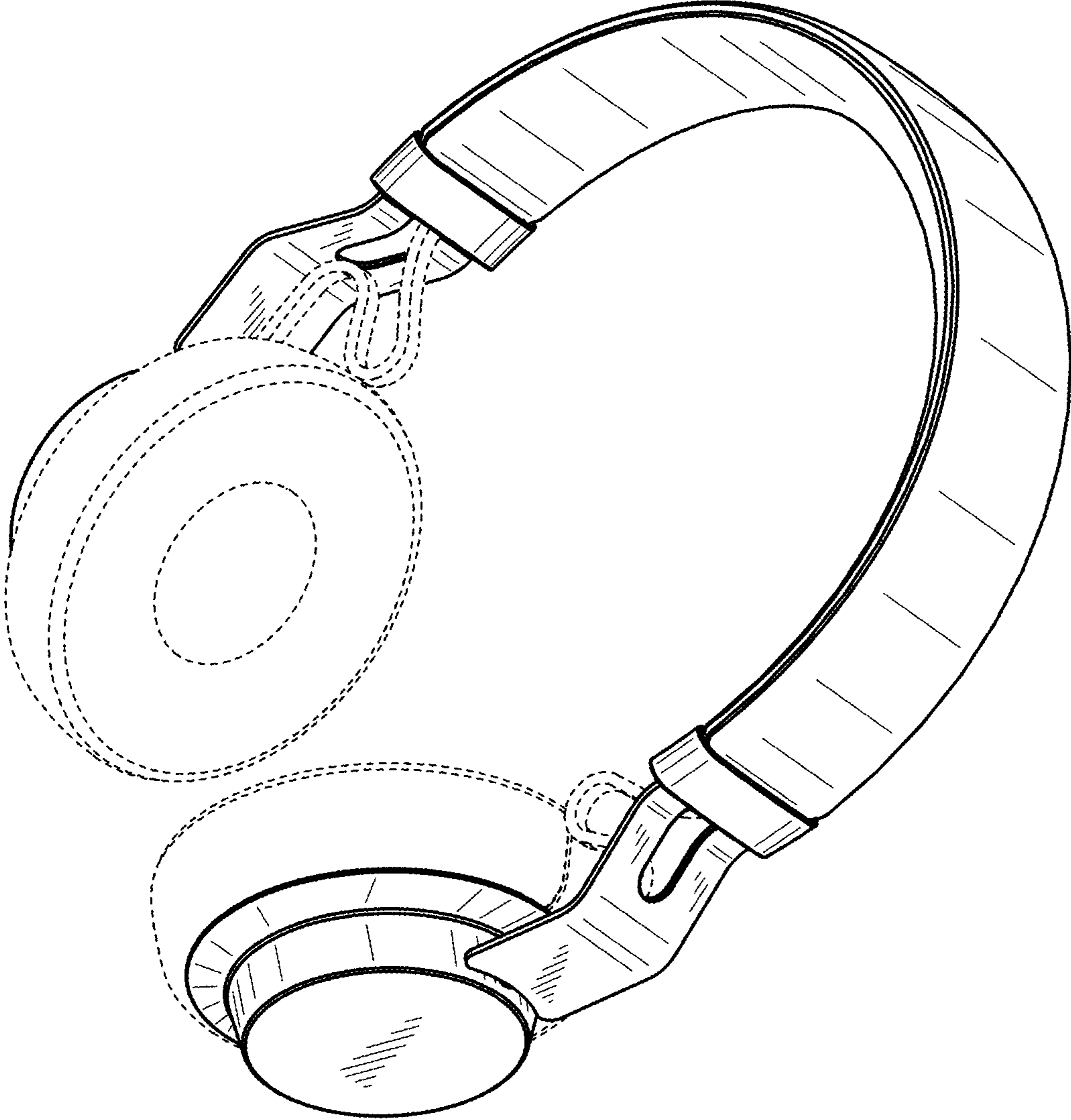


FIG. 1

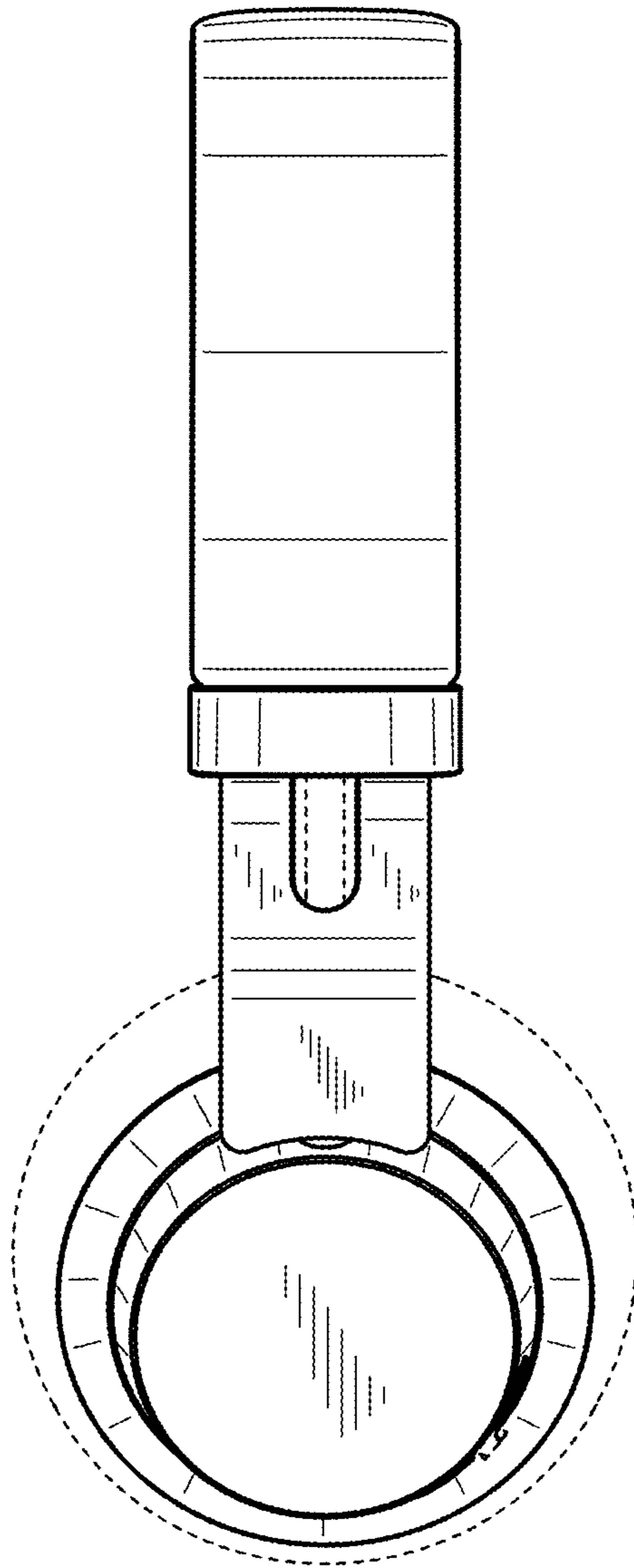


FIG. 2



FIG. 3



FIG. 4

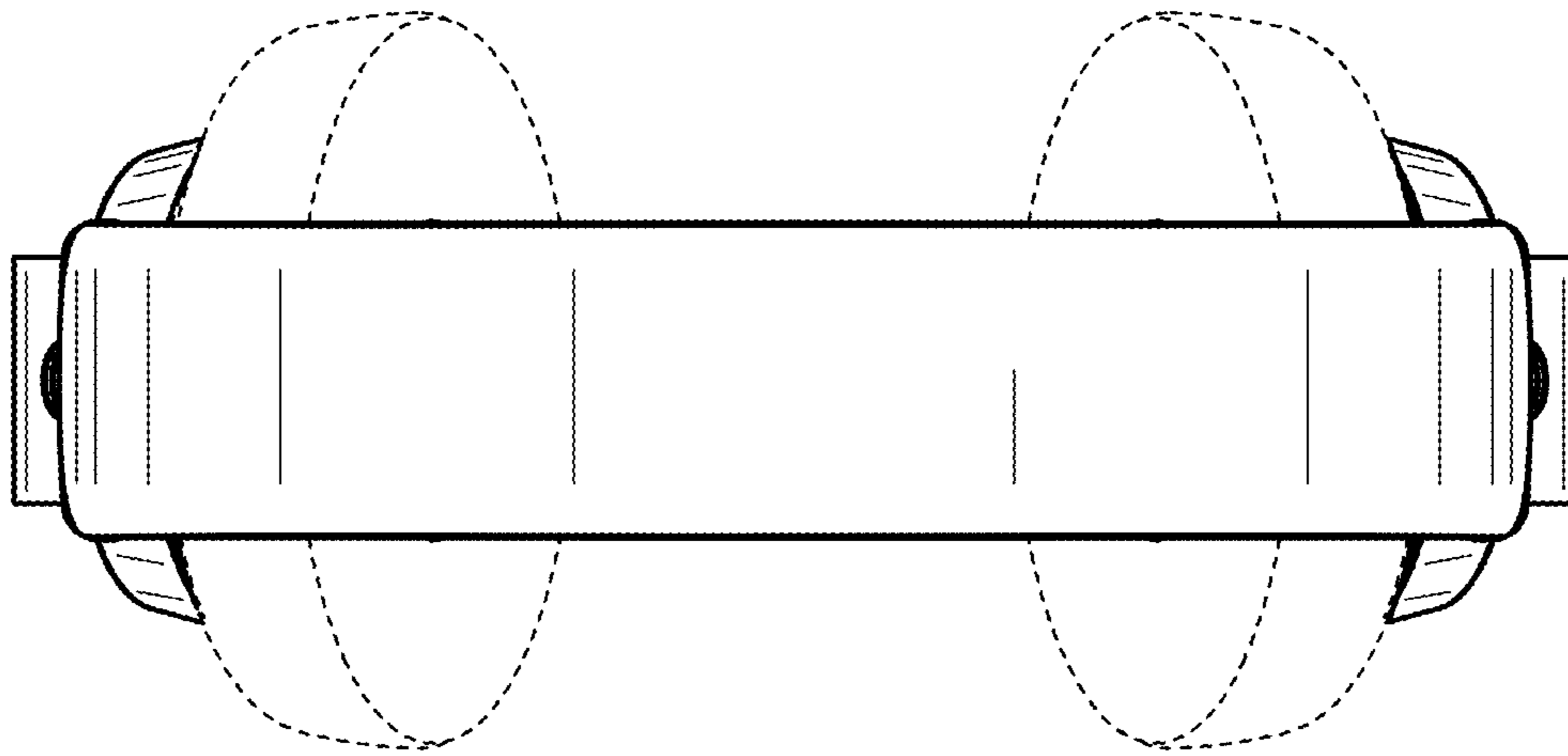


FIG. 5

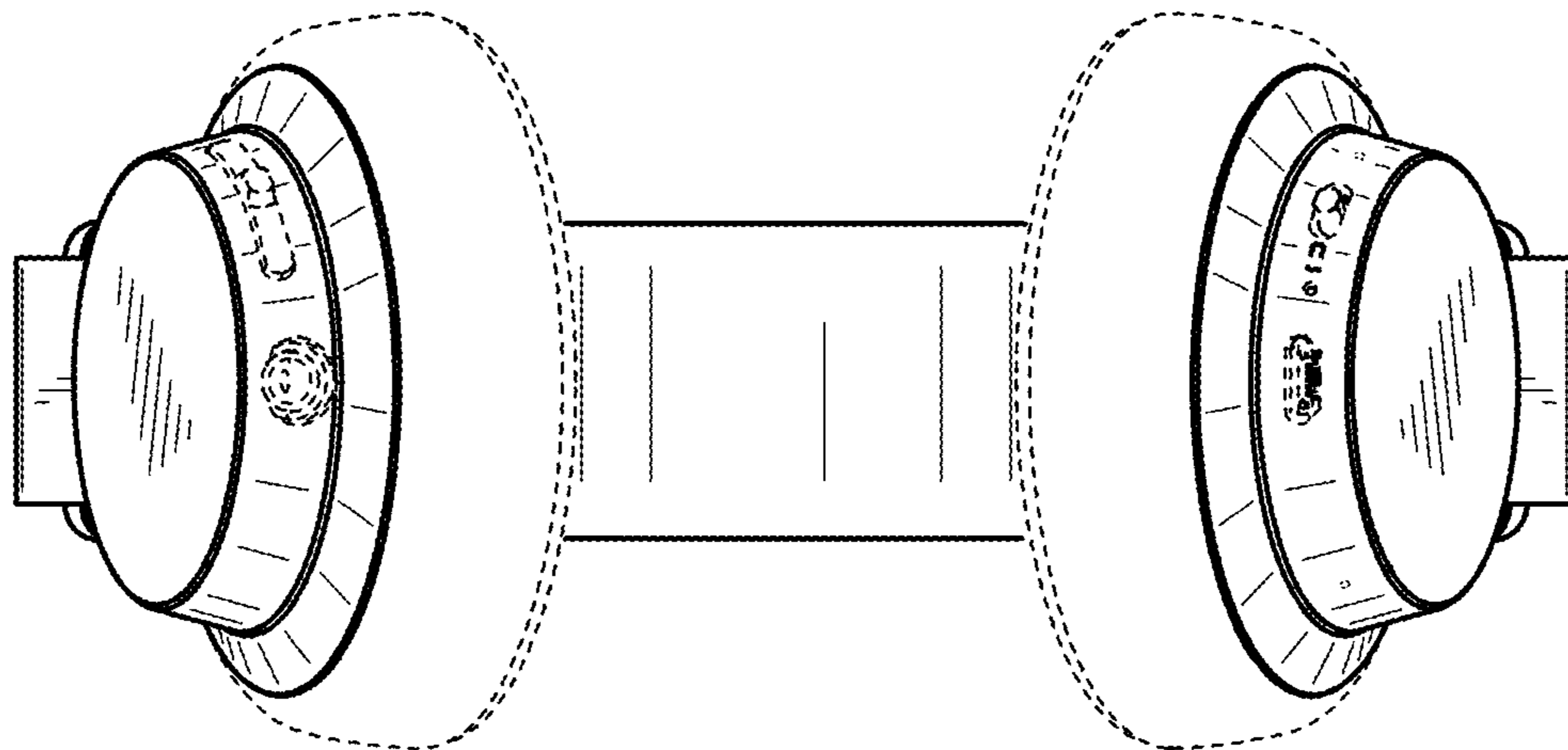


FIG. 6

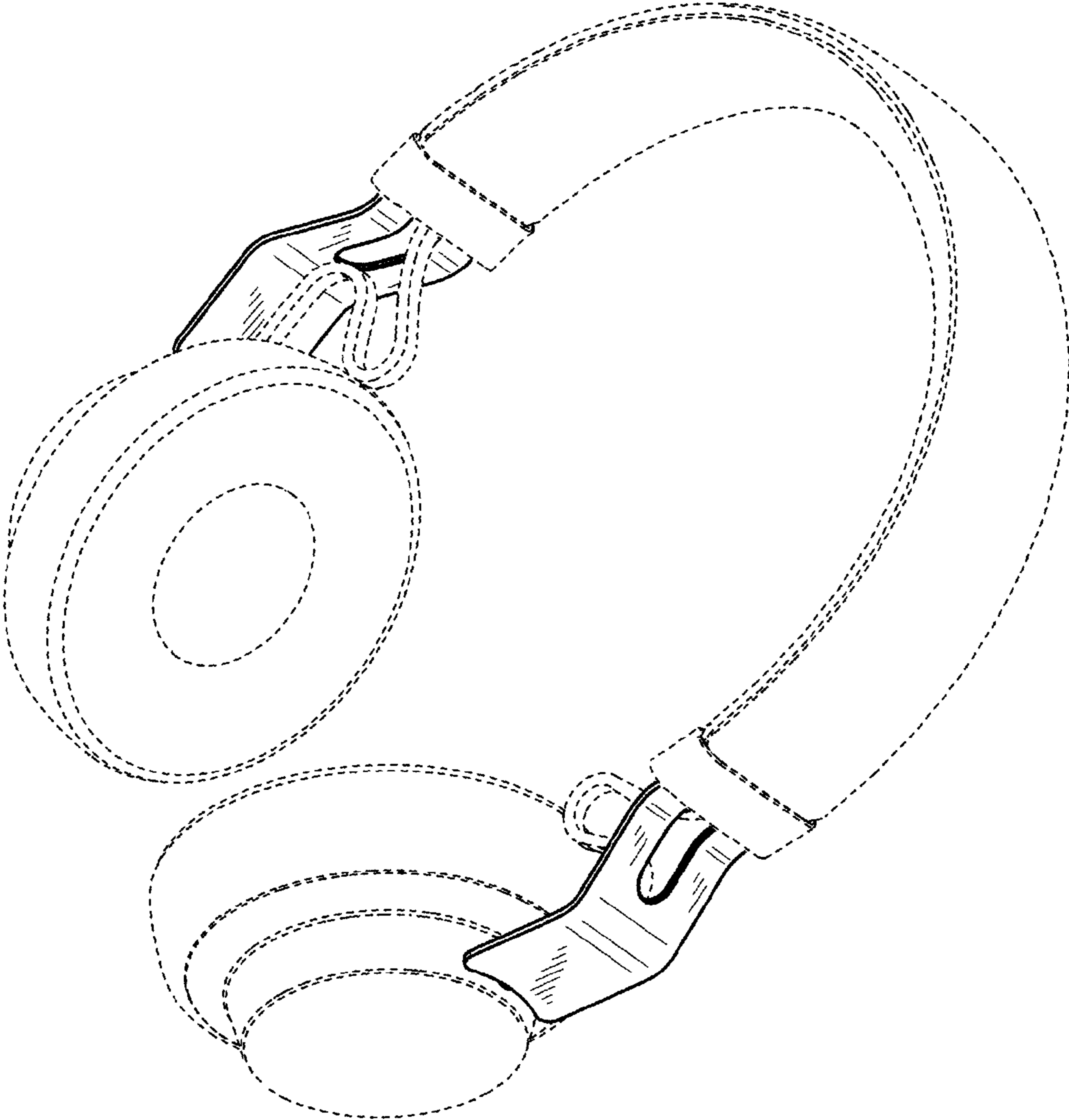


FIG. 7

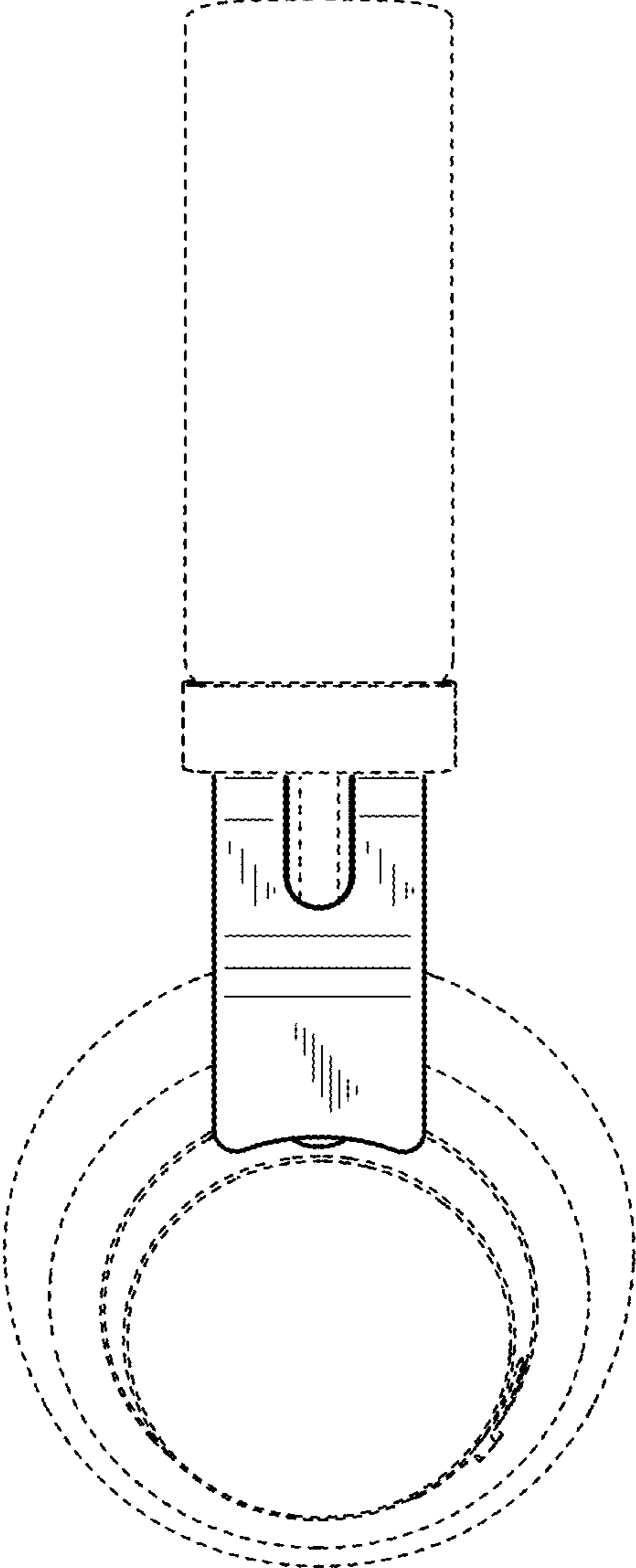


FIG. 8

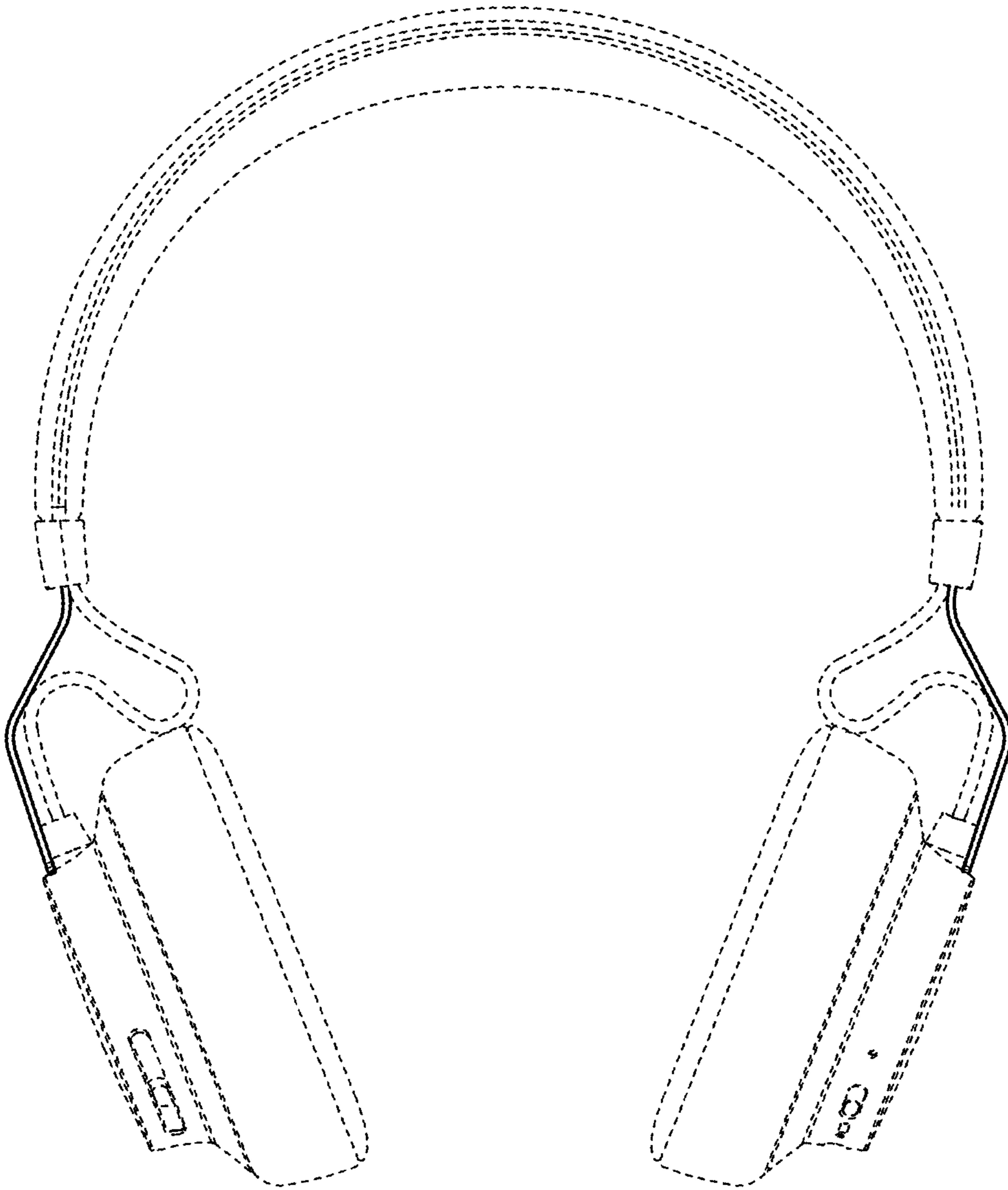


FIG. 9

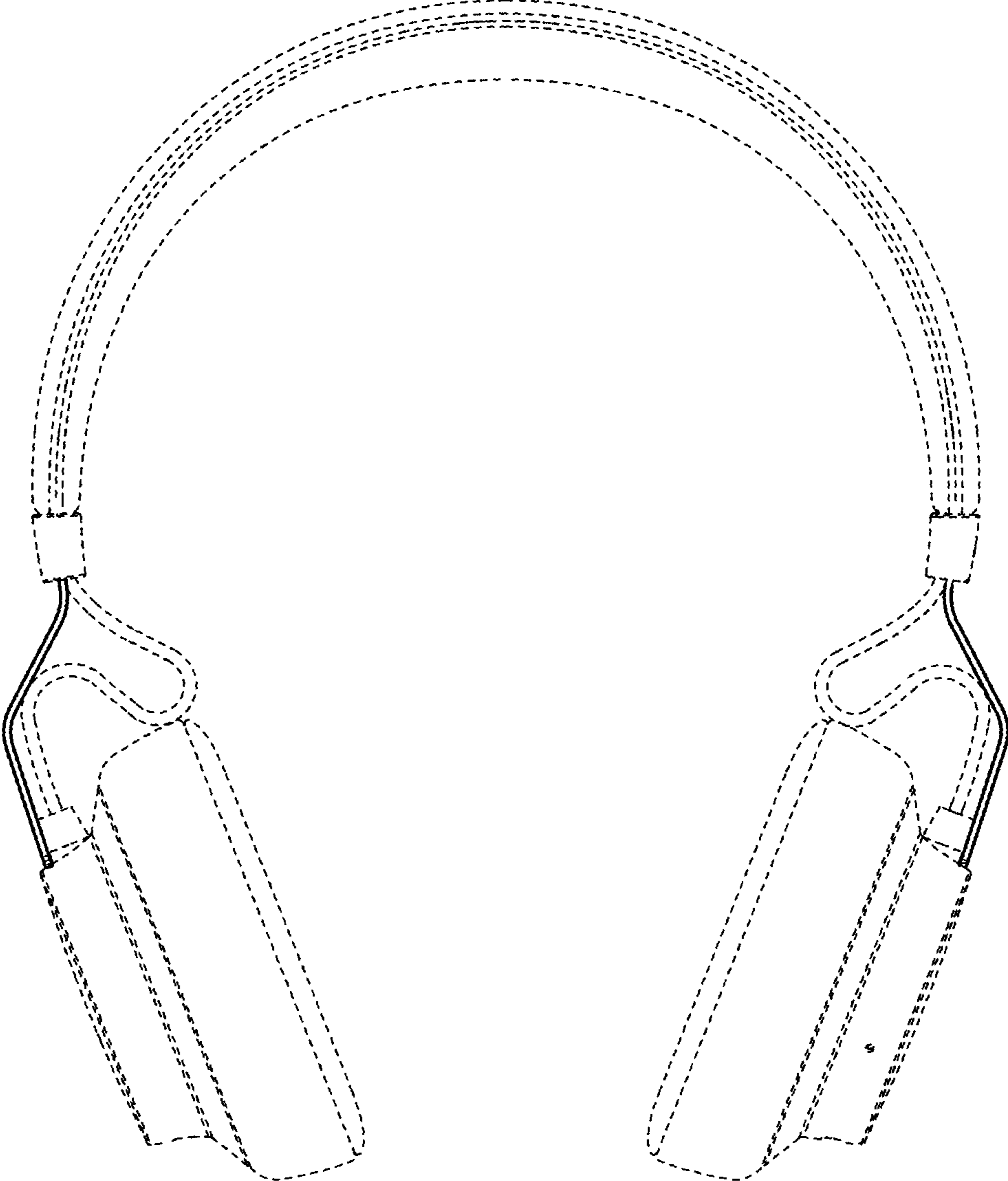


FIG. 10

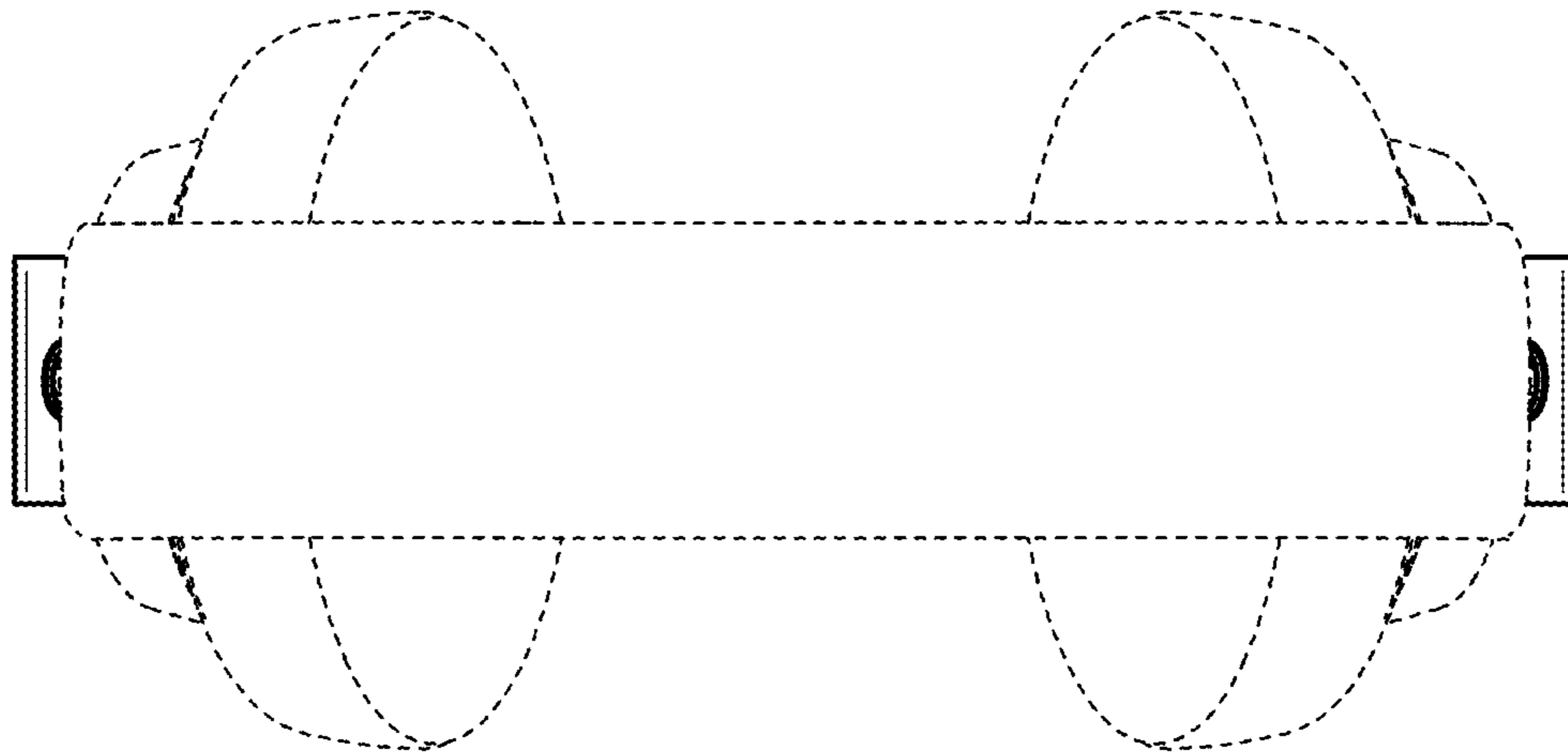


FIG. 11

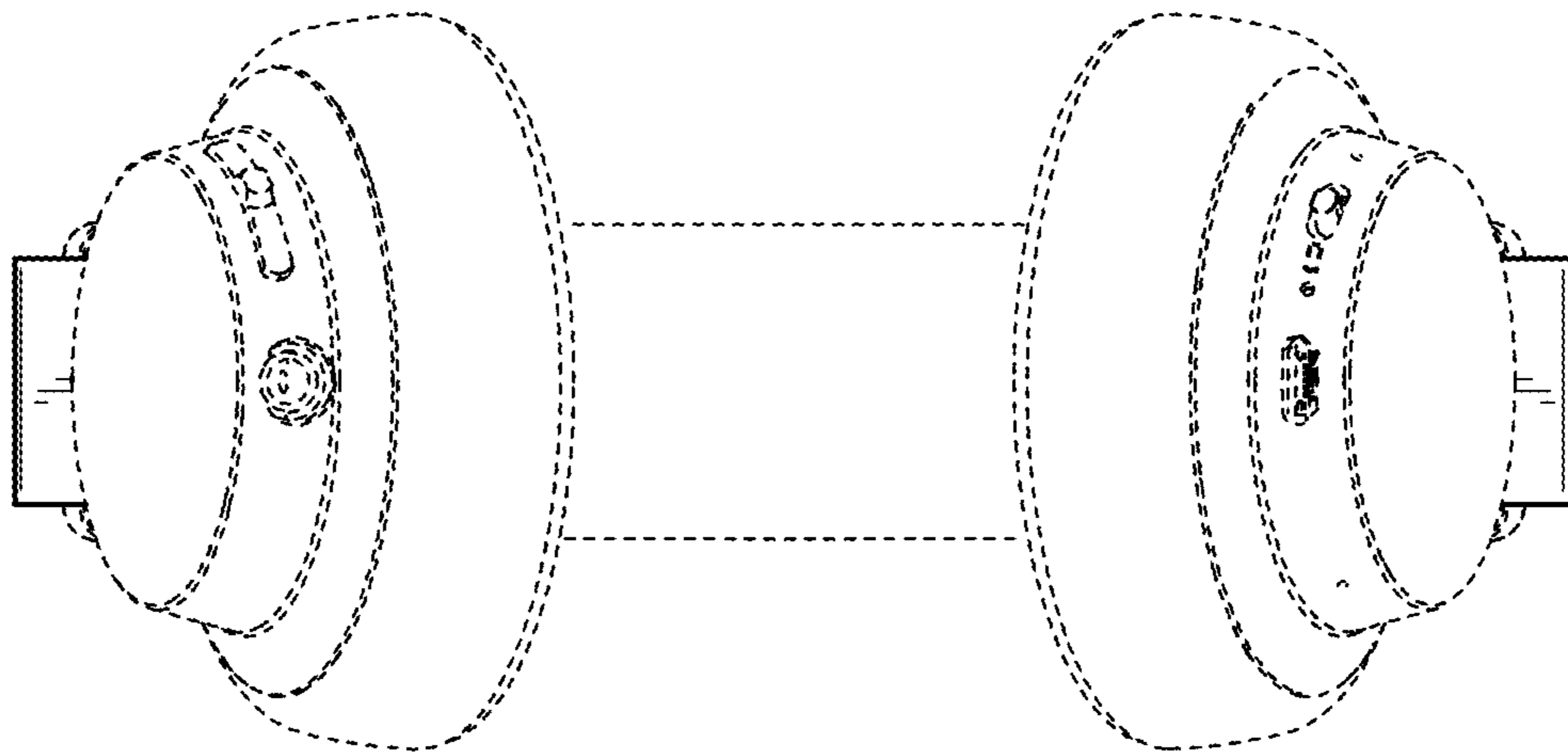


FIG. 12