



US00D750036S

(12) **United States Design Patent**
Endo et al.

(10) **Patent No.:** **US D750,036 S**
(45) **Date of Patent:** **** Feb. 23, 2016**

- (54) **IMAGE DISPLAY DEVICE**
- (71) Applicant: **SEMICONDUCTOR ENERGY LABORATORY CO., LTD.**, Atsugi-shi, Kanagawa-ken (JP)
- (72) Inventors: **Akio Endo**, Kanagawa (JP); **Masaaki Hiroki**, Kanagawa (JP)
- (73) Assignee: **SEMICONDUCTOR ENERGY LABORATORY CO., LTD.**, Kanagawa-ken (JP)
- (**) Term: **14 Years**
- (21) Appl. No.: **29/501,265**
- (22) Filed: **Sep. 3, 2014**
- (30) **Foreign Application Priority Data**

Mar. 13, 2014 (JP) 2014-005310

- (51) **LOC (10) Cl.** **14-03**
- (52) **U.S. Cl.**
USPC **D14/126**

- (58) **Field of Classification Search**
USPC D14/125-134, 239, 371, 136, 374-377, D14/440, 450, 448, 336, 342, 159; 312/7.2; 348/836, 838, 180, 184, 325, 739; 248/917-924, 465; 345/104, 133, 156, 345/168, 87, 173; D21/329, 515, 577, 622, D21/333, 433, 448, 452, 450, 331, 505; D10/15, 26; 446/484, 175, 356; D6/477, 479, 300
CPC ... G06F 1/1601; G06F 1/1643; G06F 1/1616; G06F 1/1652; G06F 1/1647; G06F 1/3265; H05K 5/0004; H05K 5/0017; H05K 5/02; H05K 5/0217; G04M 1/00; H04M 1/0216; H04M 1/0268

See application file for complete search history.

(56) **References Cited**

U.S. PATENT DOCUMENTS

- 2006/0050169 A1* 3/2006 Misawa 348/333.06
- 2011/0241998 A1* 10/2011 McKinney et al. 345/168
- 2011/0299168 A1* 12/2011 Combs 359/601
- 2013/0229324 A1* 9/2013 Zhang et al. 345/1.3

- 2013/0300732 A1* 11/2013 Hosoya 345/419
- 2014/0213324 A1* 7/2014 Tan et al. 455/566
- 2014/0285433 A1* 9/2014 Park et al. 345/156
- 2014/0285476 A1* 9/2014 Cho et al. 345/204
- 2015/0047796 A1* 2/2015 Peng et al. 160/323.1
- 2015/0153777 A1* 6/2015 Liu et al. G06F 1/1652
- 2015/0198978 A1* 7/2015 Catchpole G06F 1/1652
- 2015/0220188 A1* 8/2015 Zhao

OTHER PUBLICATIONS

- Shunpei Yamazaki et al., "Portable Information Terminal", U.S. Appl. No. 29/478,765, filed Jan. 8, 2014, Specification and Drawings.
- Hirakata Yoshtharu et al., Image Display Device, U.S. Appl. No. 29/478,750, filed Jan. 8, 2014, Specification and Drawings.
- Shunpei Yamazaki et al., Portable Information Transmittal, U.S. Appl. No. 29/478,765, filed Jan. 8, 2014, Specification and Drawings.
- Shunpei Yamazaki et al., Portable Information Terminal, U.S. Appl. No. 29/478,747, filed Jan. 8, 2014, Specification and Drawings.
- Shunpei Yamazaki et al., Portable Information Terminal, U.S. Appl. No. 29/478,786, filed Jan. 8, 2014, Specification and Drawings.
- Shunpei Yamazaki et al., "Portable Information Terminal", U.S. Appl. No. 29/478,760, filed Jan. 8, 2014, Specification and Drawings.

* cited by examiner

Primary Examiner — Raphael Barkai

(74) *Attorney, Agent, or Firm* — Nixon Peabody LLP; Jeffrey L. Costellia

(57) **CLAIM**

We claim, the ornamental design for an image display device, as shown and described.

DESCRIPTION

- FIG. 1 is a front view of an image display device showing our new design;
- FIG. 2 is a rear view;
- FIG. 3 is a right side view;
- FIG. 4 is a left side view;
- FIG. 5 is a top view;
- FIG. 6 is a bottom view;
- FIG. 7 is a front view in which a flexible display is tri-folded;
- FIG. 8 is a rear view in which the flexible display is tri-folded;
- FIG. 9 is a right side view in which the flexible display is tri-folded;

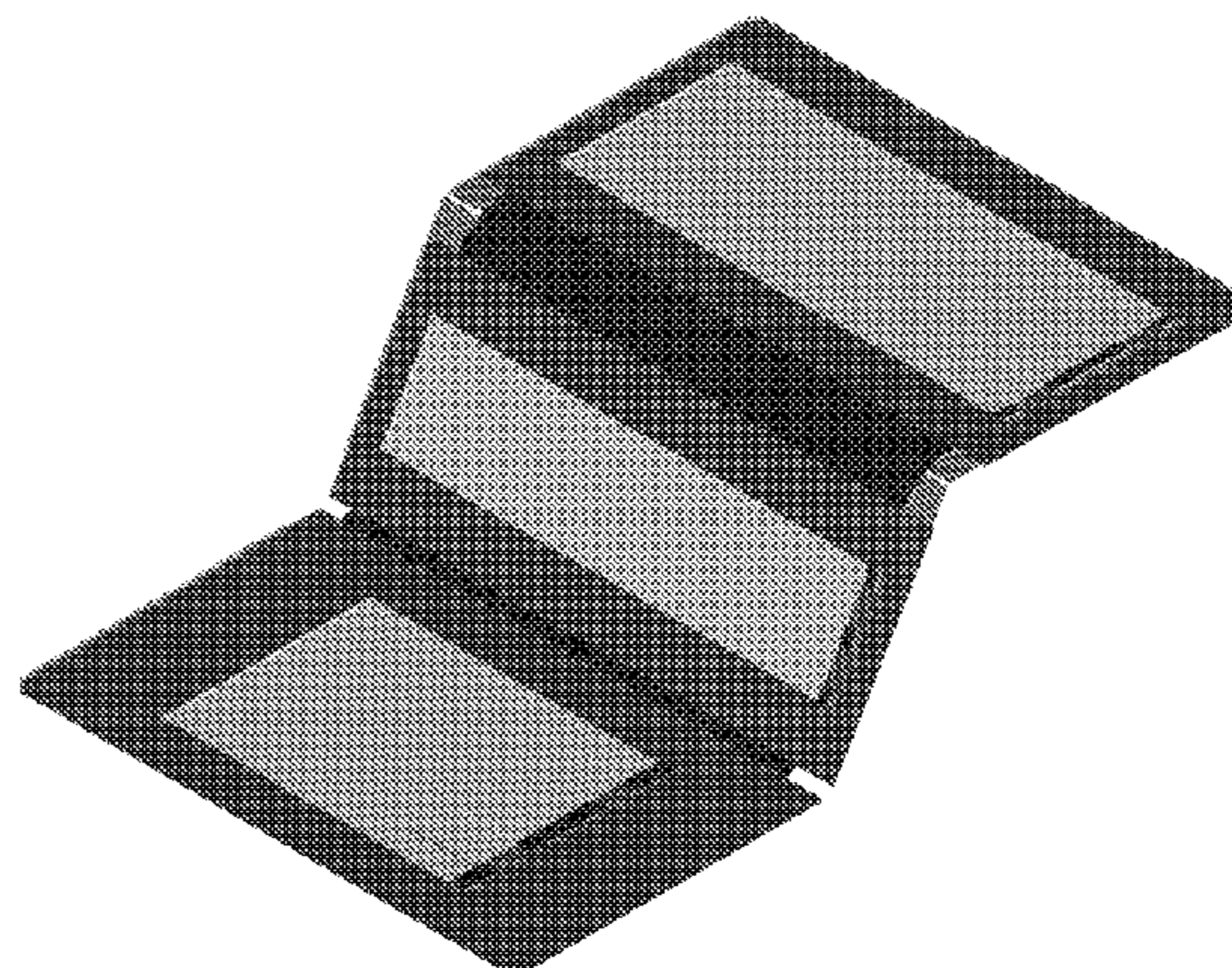
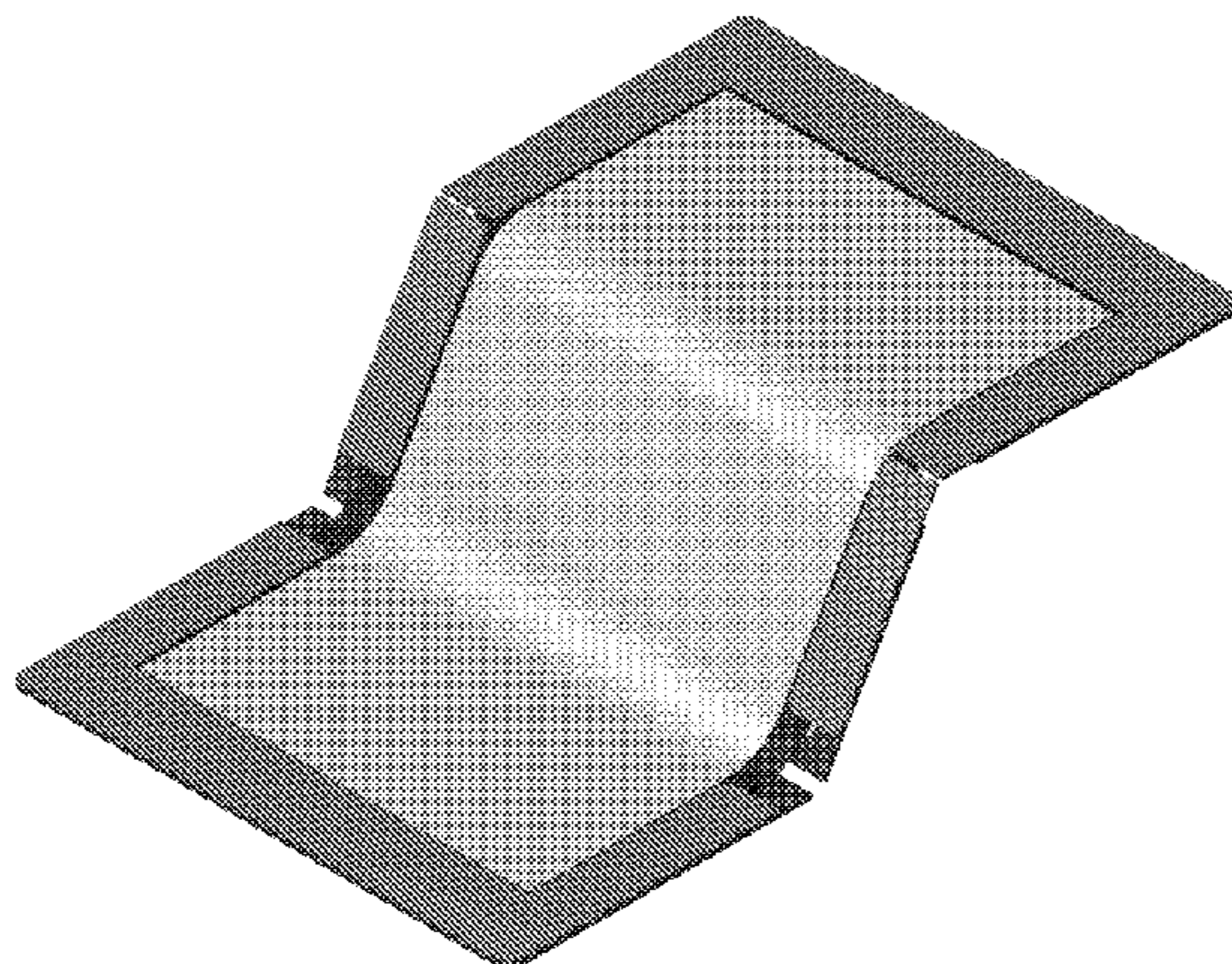


FIG. **10** is a left side view in which the flexible display is tri-folded;

FIG. **11** is a top view in which the flexible display is tri-folded;

FIG. **12** is a bottom view in which the flexible display is tri-folded;

FIG. **13** is a reference drawing illustrating a front perspective view of the image display device with the flexible display unfolded;

FIG. **14** is a reference drawing illustrating a front perspective view of the image display device with the flexible display tri-folded; and

FIG. **15** is a reference drawing illustrating a front perspective view of the image display device with the flexible display partly curved; and,

FIG. **16** is a reference drawing illustrating a rear perspective view of the image display device with the flexible display partly curved.

The color of the image display device shown in the reference drawings forms no part of the claimed design.

The image display device is used in a state in which the flexible display is folded, unfolded or curved as necessary.

The image display device includes a flexible display including a display surface which can be curved. The flexible display is held by three supports. Each one of the three supports includes an opening on its rear side to incorporate a battery.

1 Claim, 8 Drawing Sheets

FIG. 1

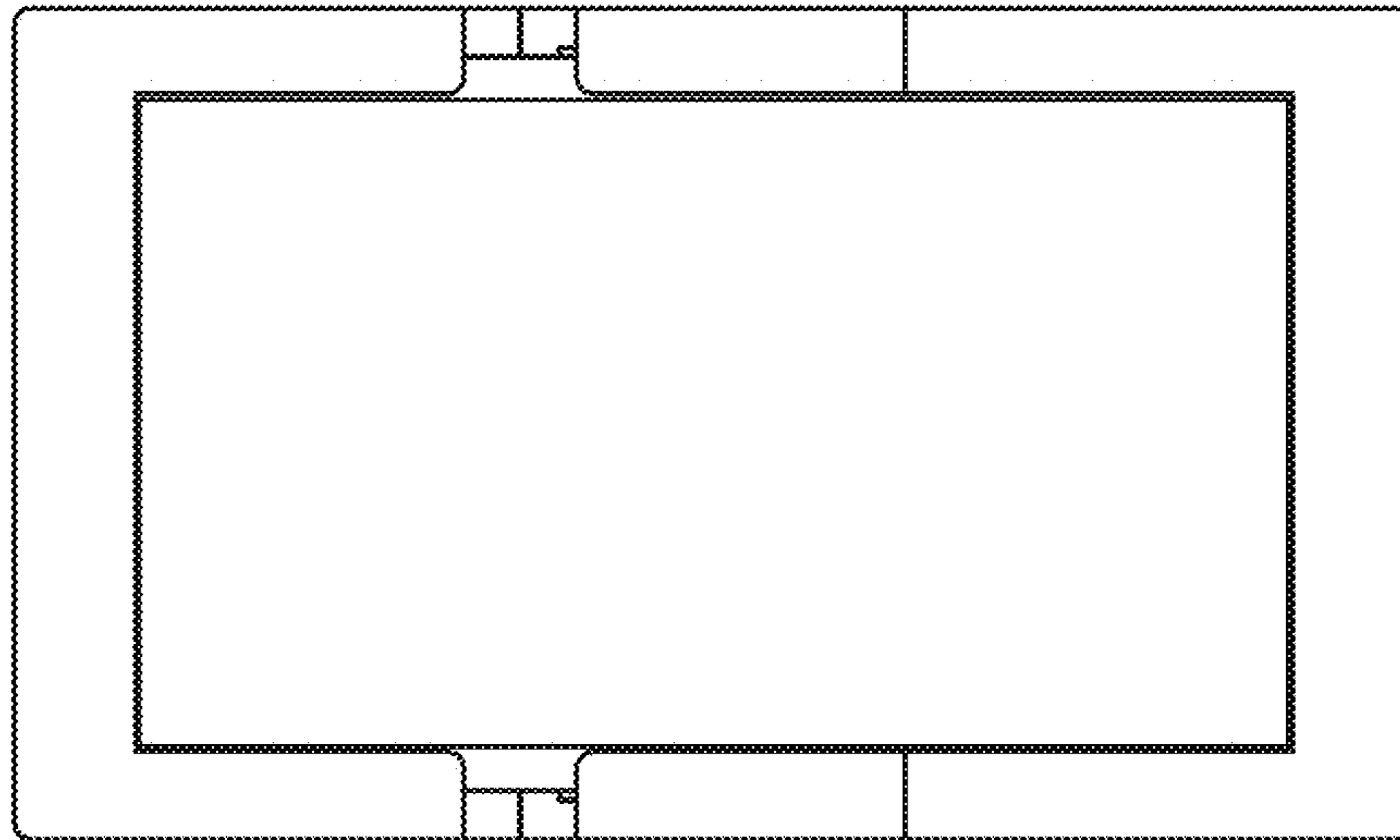


FIG. 2

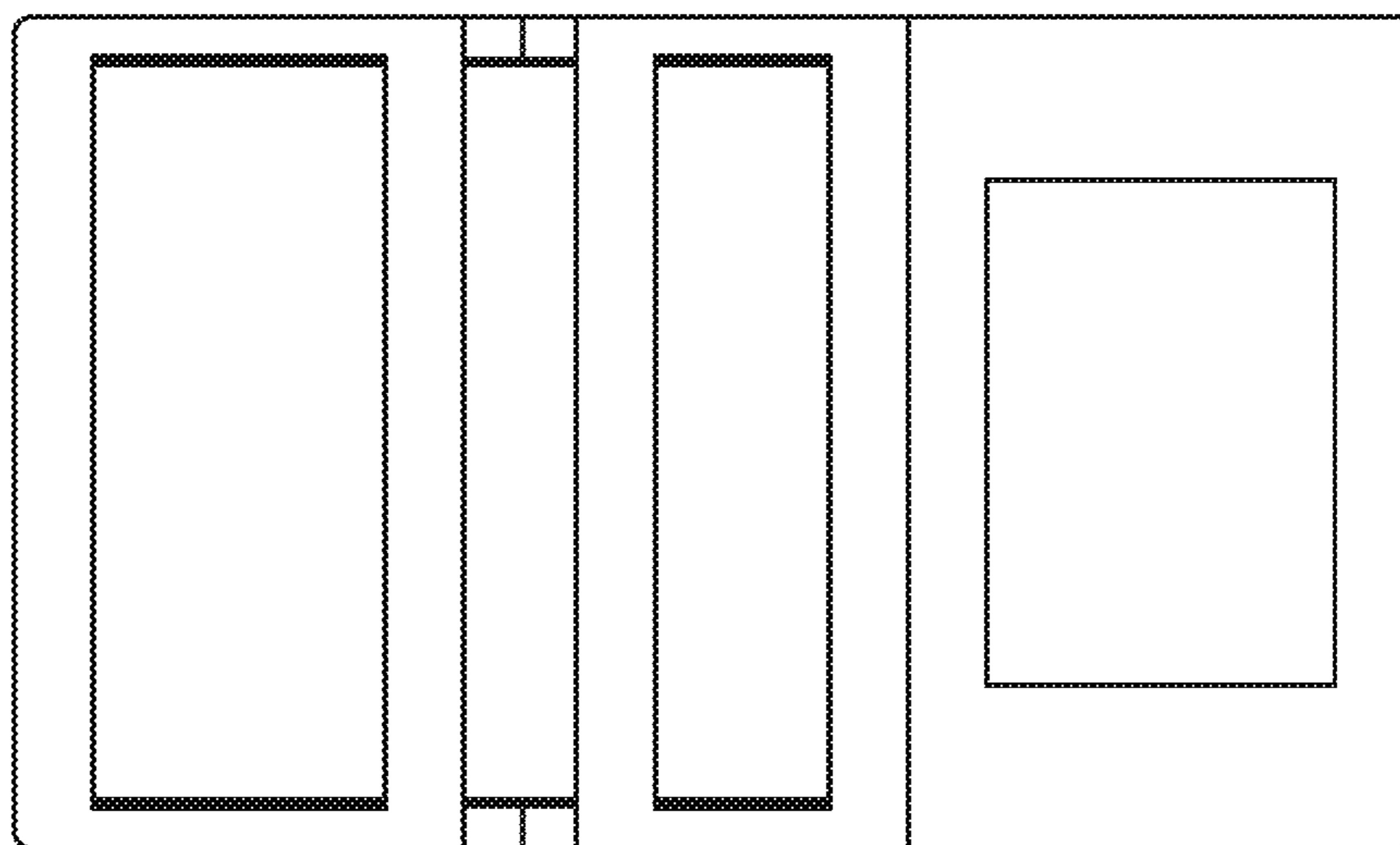


FIG. 3



FIG. 4



FIG. 5



FIG. 6



FIG. 7

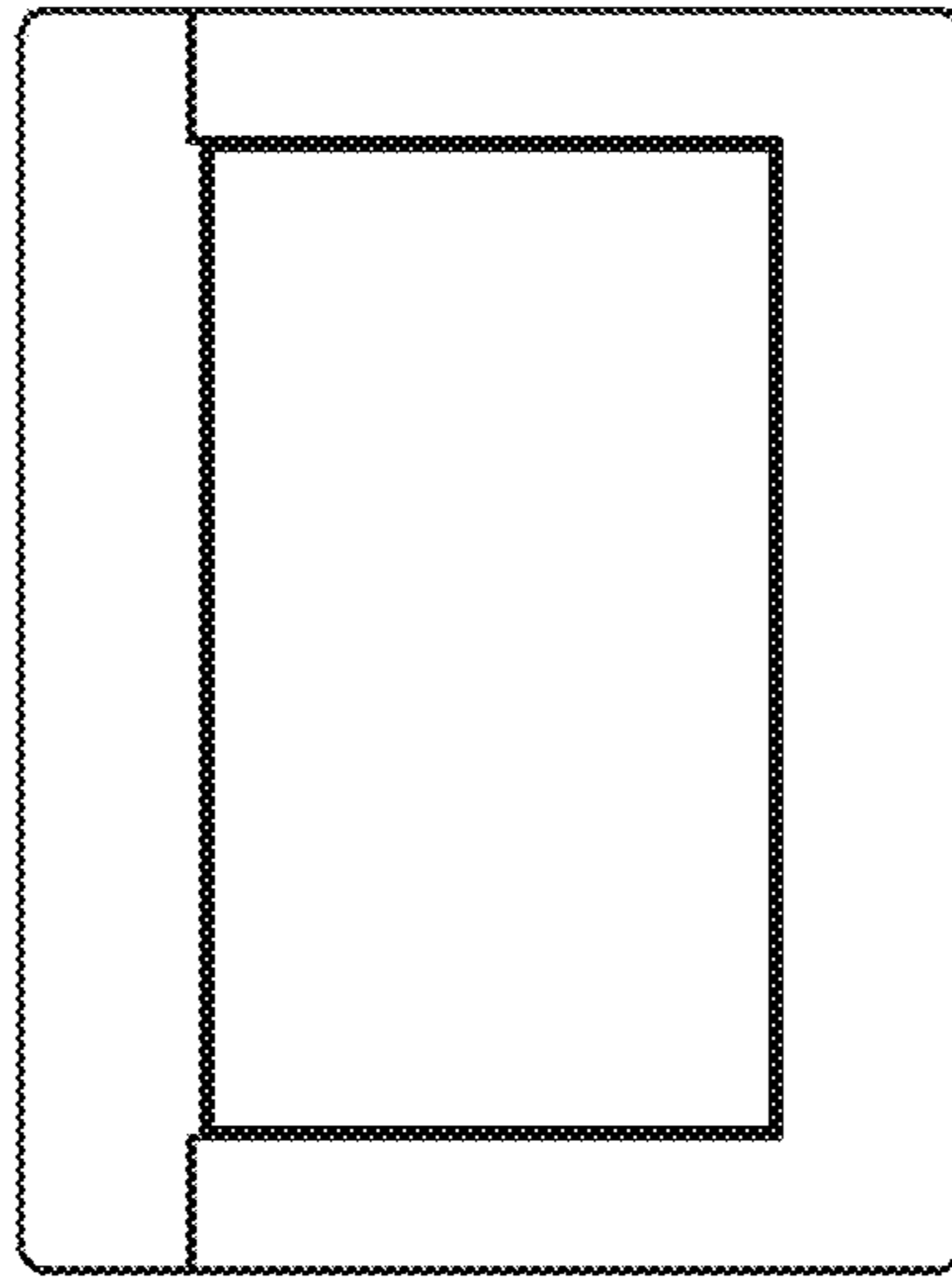


FIG. 8

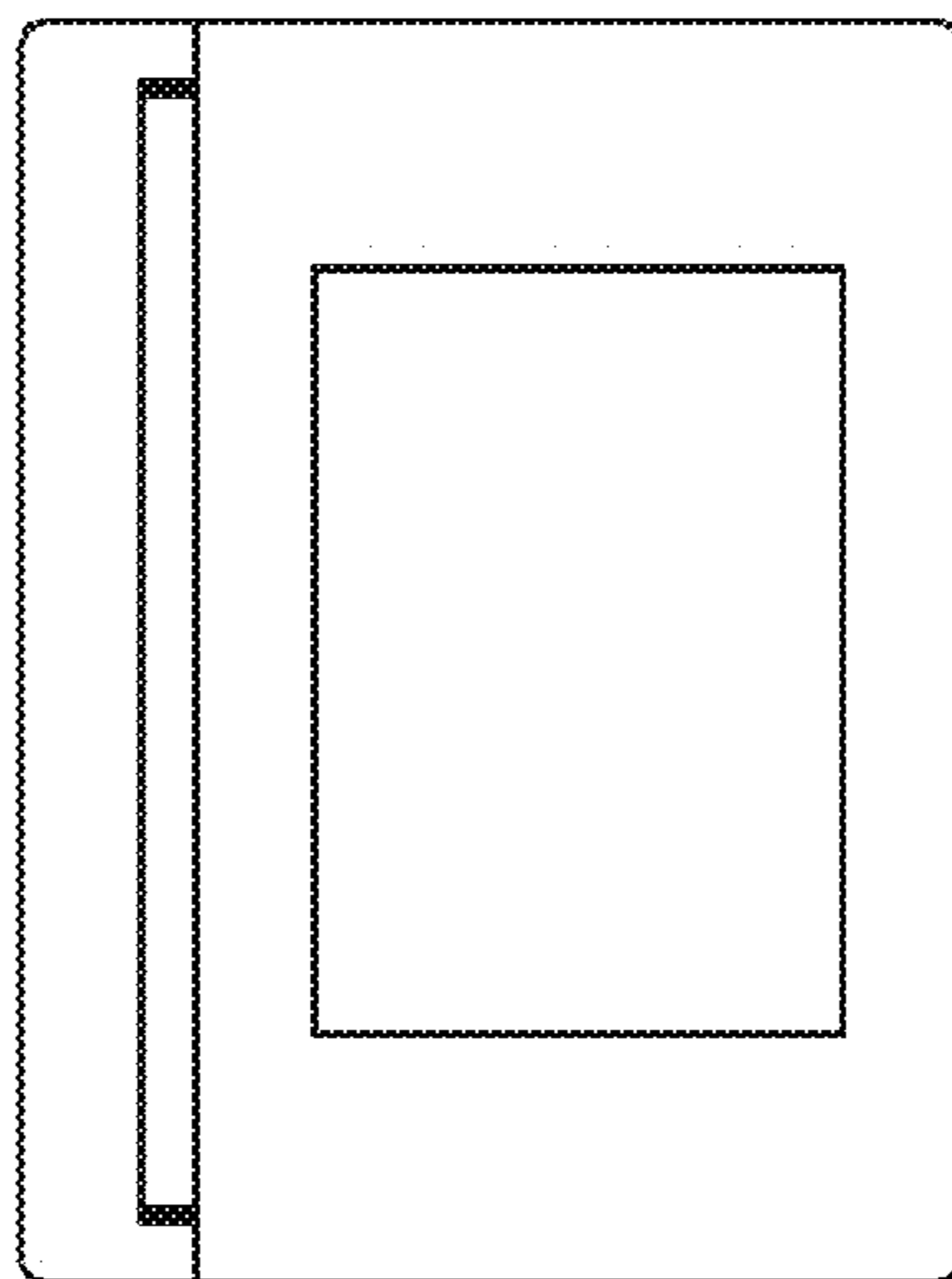


FIG. 9

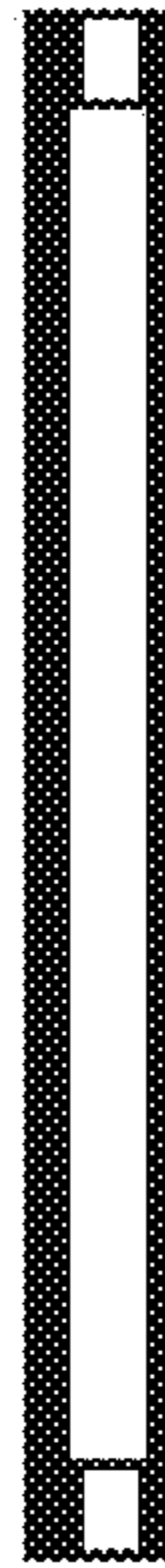


FIG. 10



FIG. 11

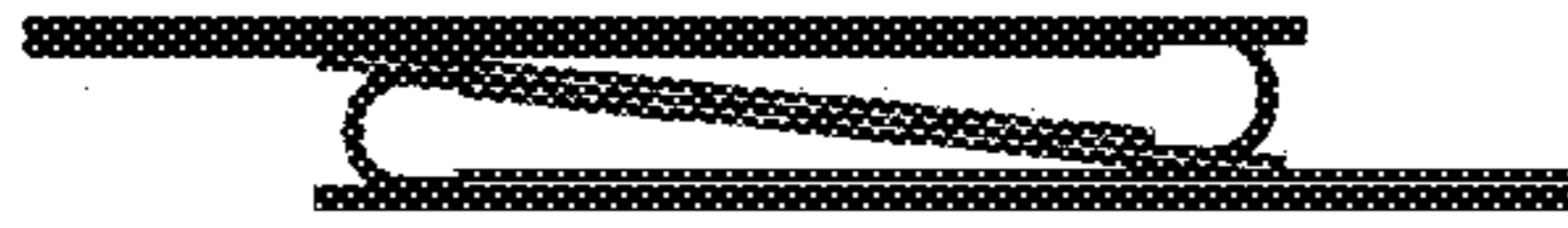


FIG. 12

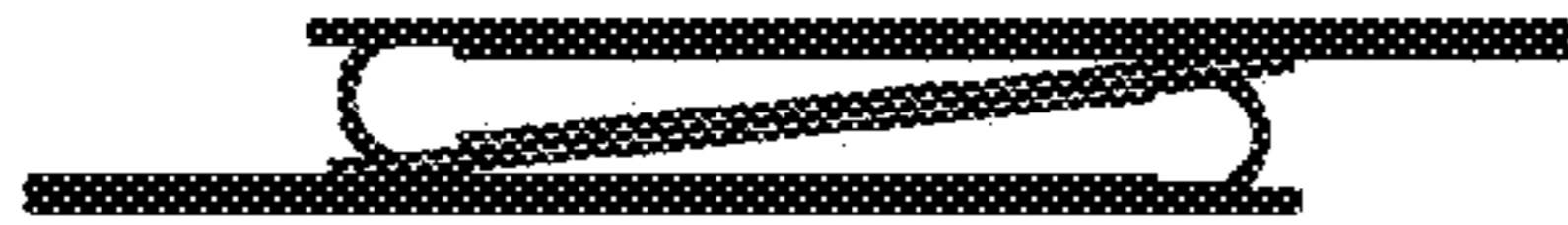


FIG. 13

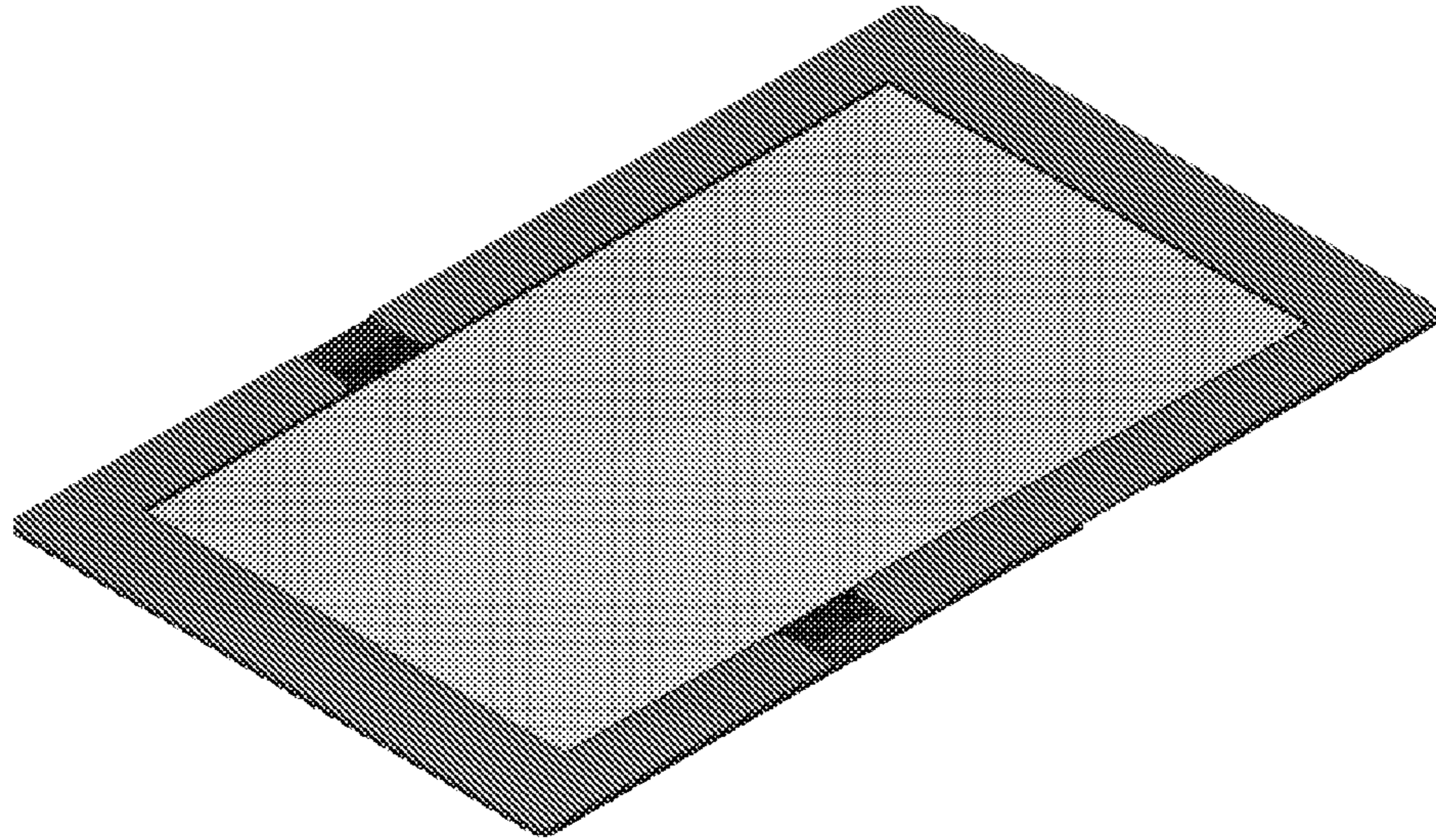


FIG. 14

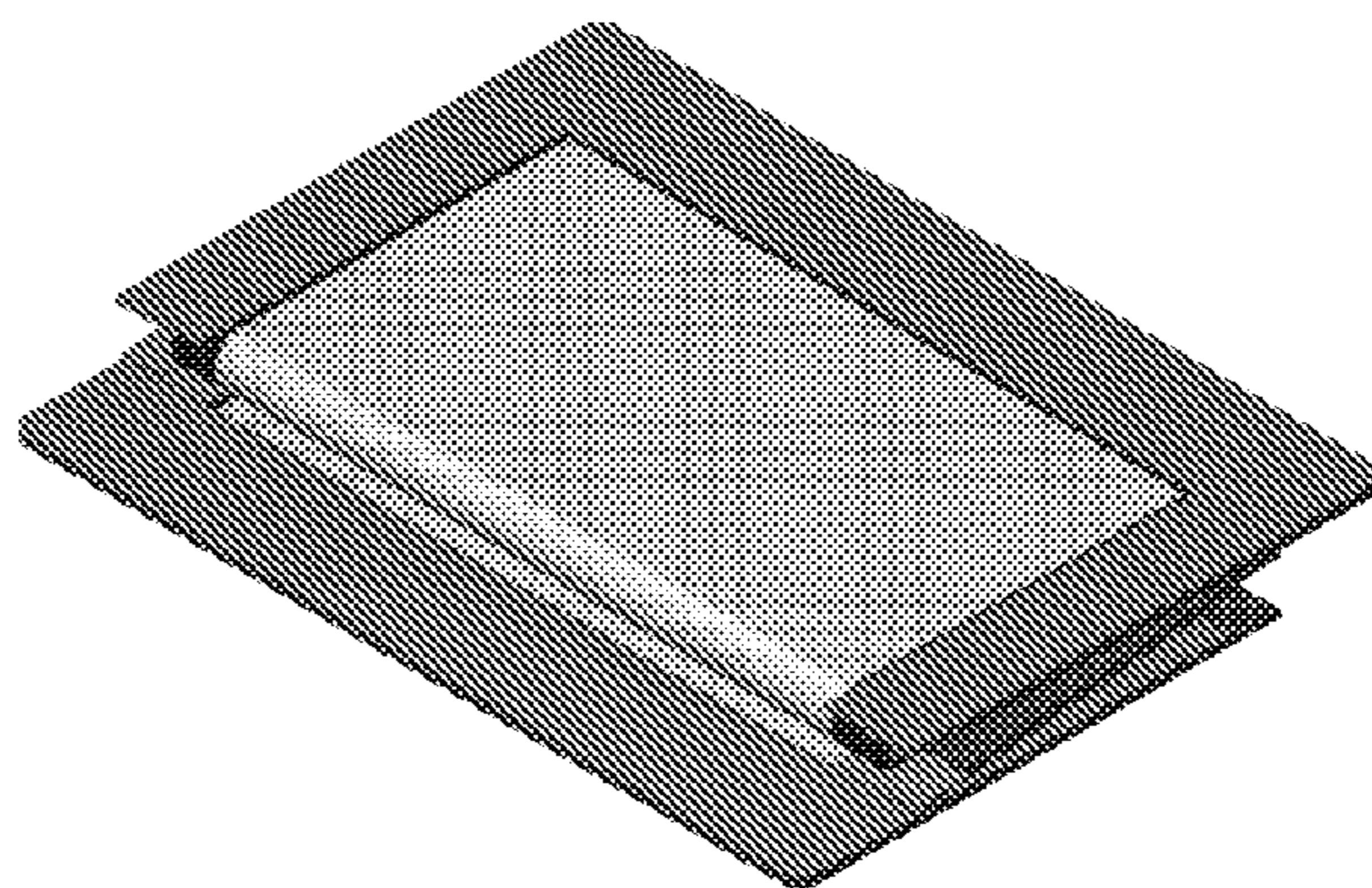


FIG. 15

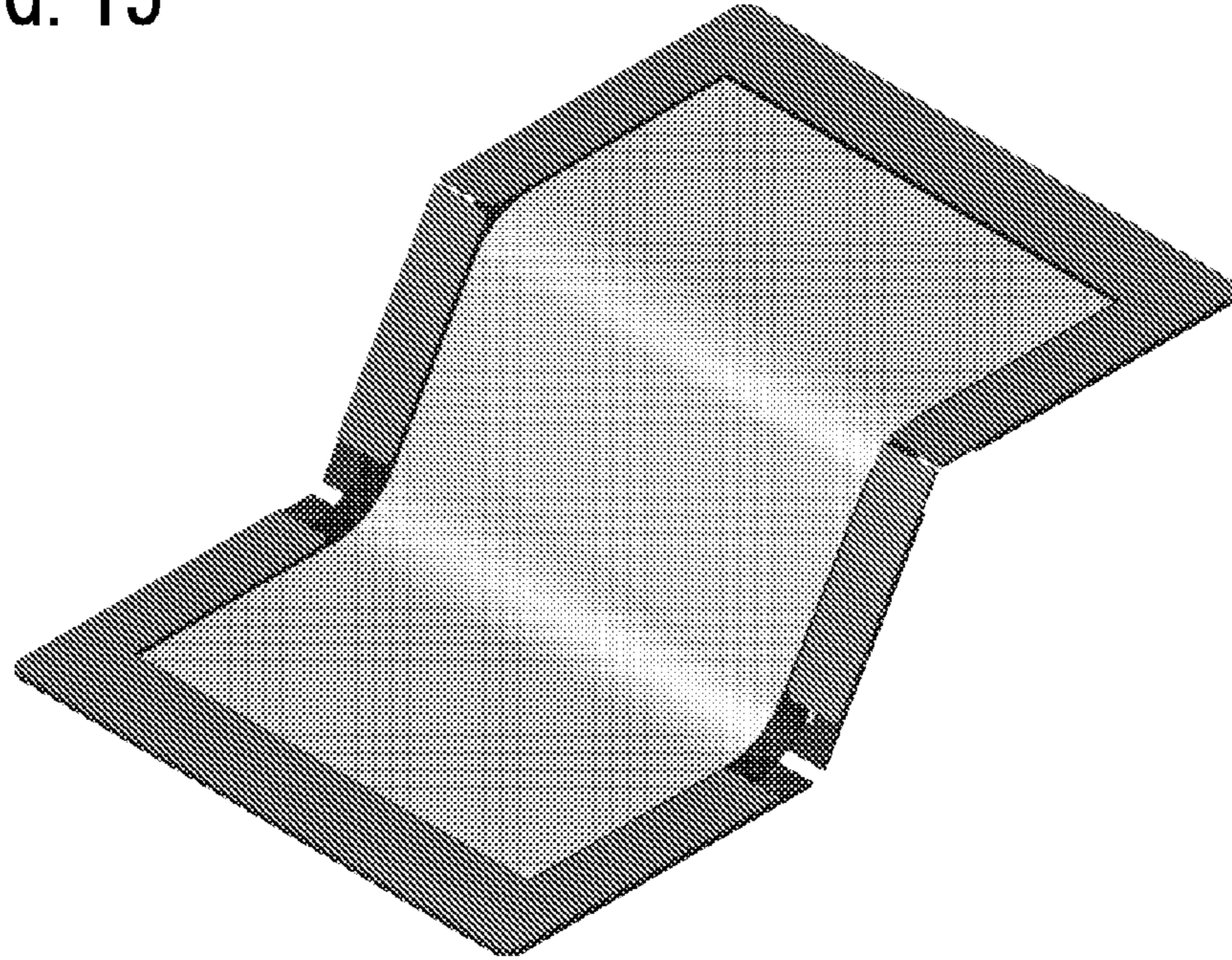


FIG. 16

