



US00D750034S

(12) **United States Design Patent**  
**Braswell, Jr. et al.**

(10) **Patent No.:** **US D750,034 S**  
(45) **Date of Patent:** **\*\* Feb. 23, 2016**

- (54) **ELECTROMAGNETIC FIELD APPARATUS**
- (71) Applicant: **Applied Magnetics, LLC**, Clearwater, FL (US)
- (72) Inventors: **Allen Braswell, Jr.**, Clearwater, FL (US); **Frank Caruso**, Golden, CO (US)
- (73) Assignee: **Applied Magnetics, LLC**, Clearwater, FL (US)

- 5,426,685 A 6/1995 Pellegrino et al.
- D380,832 S 7/1997 Isshiki et al.
- 6,004,257 A 12/1999 Jacobson
- 6,099,459 A 8/2000 Jacobson
- 6,458,071 B1 10/2002 Jacobson
- D474,277 S 5/2003 Juni
- 6,733,434 B2 5/2004 Jacobson
- 6,819,210 B2 11/2004 Boynton et al.

(Continued)

- (\*\*) Term: **15 Years**
- (21) Appl. No.: **29/535,435**
- (22) Filed: **Aug. 6, 2015**

**FOREIGN PATENT DOCUMENTS**

- WO WO 2000/13749 3/2000
- WO WO 2001/15775 3/2001

**OTHER PUBLICATIONS**

Jacobson, J., Pico Tesla range magnetic fields tested in four site, double blind clinical study for treatment of osteoarthritic knees, *Gazzetta Medica Italiana-Arch. Sci. Med.*, 2001, 160:1-21.

*Primary Examiner* — Derrick Holland  
*Assistant Examiner* — Jennifer O King  
(74) *Attorney, Agent, or Firm* — Kilpatrick Townsend & Stockton LLP

**Related U.S. Application Data**

- (62) Division of application No. 29/448,963, filed on Mar. 14, 2013, now Pat. No. Des. 738,330.
- (51) **LOC (10) Cl.** ..... **13-99**
- (52) **U.S. Cl.**  
USPC ..... **D13/184; D24/158**
- (58) **Field of Classification Search**  
USPC ..... D24/232, 231, 233, 234, 185, 158;  
D13/110, 101, 117, 118, 122, 183, 184,  
D13/199; 248/278.1, 324; 378/19, 38, 39,  
378/146, 179, 193, 195, 208; 600/13, 9  
CPC ..... A61N 2/02  
See application file for complete search history.

(57) **CLAIM**  
We claim the ornamental design for an electromagnetic field apparatus, as shown and described.

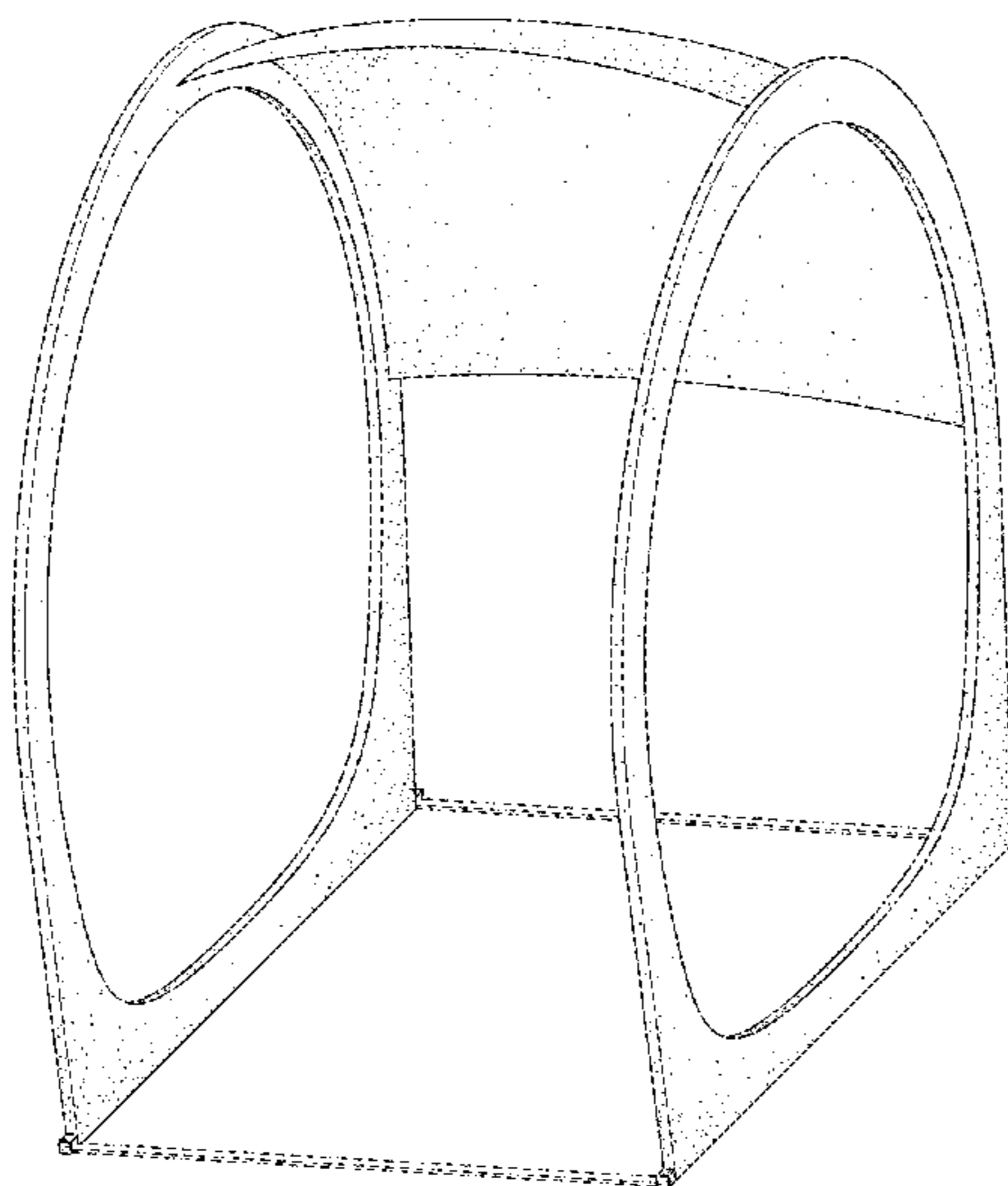
**DESCRIPTION**

FIG. 1 is a top, front and side perspective view of an electromagnetic field apparatus showing our new design; FIG. 2 is a top, rear and side perspective view thereof; FIG. 3 is a left side elevation view thereof; the right side elevation view is a mirror image of the left side elevation view; and, FIG. 4 is a front elevation view thereof. The broken lines shown represent unclaimed subject matter and form no part of the claimed design.

- (56) **References Cited**  
U.S. PATENT DOCUMENTS

- 2,508,705 A 5/1950 Beller et al.
- D211,022 S 5/1968 Kahn
- 3,979,566 A 9/1976 Willy
- 4,760,336 A 7/1988 Conolly
- D323,386 S 1/1992 Perusek
- 5,386,191 A 1/1995 McCarten

**1 Claim, 4 Drawing Sheets**



(56)

**References Cited**

U.S. PATENT DOCUMENTS

6,992,486 B2 1/2006 Srinivasan  
D532,747 S 11/2006 Ricci et al.  
D551,346 S 9/2007 Lenfant et al.  
7,338,207 B2 3/2008 Gregerson et al.  
D673,682 S 1/2013 Boudier  
8,421,457 B2 4/2013 Jacobson et al.  
D686,324 S 7/2013 Davis et al.  
D689,612 S 9/2013 Braswell, Jr.

D701,960 S 4/2014 Braswell, Jr. et al.  
D725,779 S \* 3/2015 Braswell, Jr. .... D24/158  
D726,915 S \* 4/2015 Braswell ..... D24/158  
D738,505 S \* 9/2015 Eberler ..... D24/158  
D742,519 S \* 11/2015 Sul ..... D24/158  
D742,523 S \* 11/2015 Sul ..... D24/158  
2007/0276440 A1 11/2007 Jacobson  
2009/0082612 A1 3/2009 Litovitz  
2010/0072996 A1 3/2010 Jacobson et al.  
2013/0225908 A1 8/2013 Jacobson et al.

\* cited by examiner

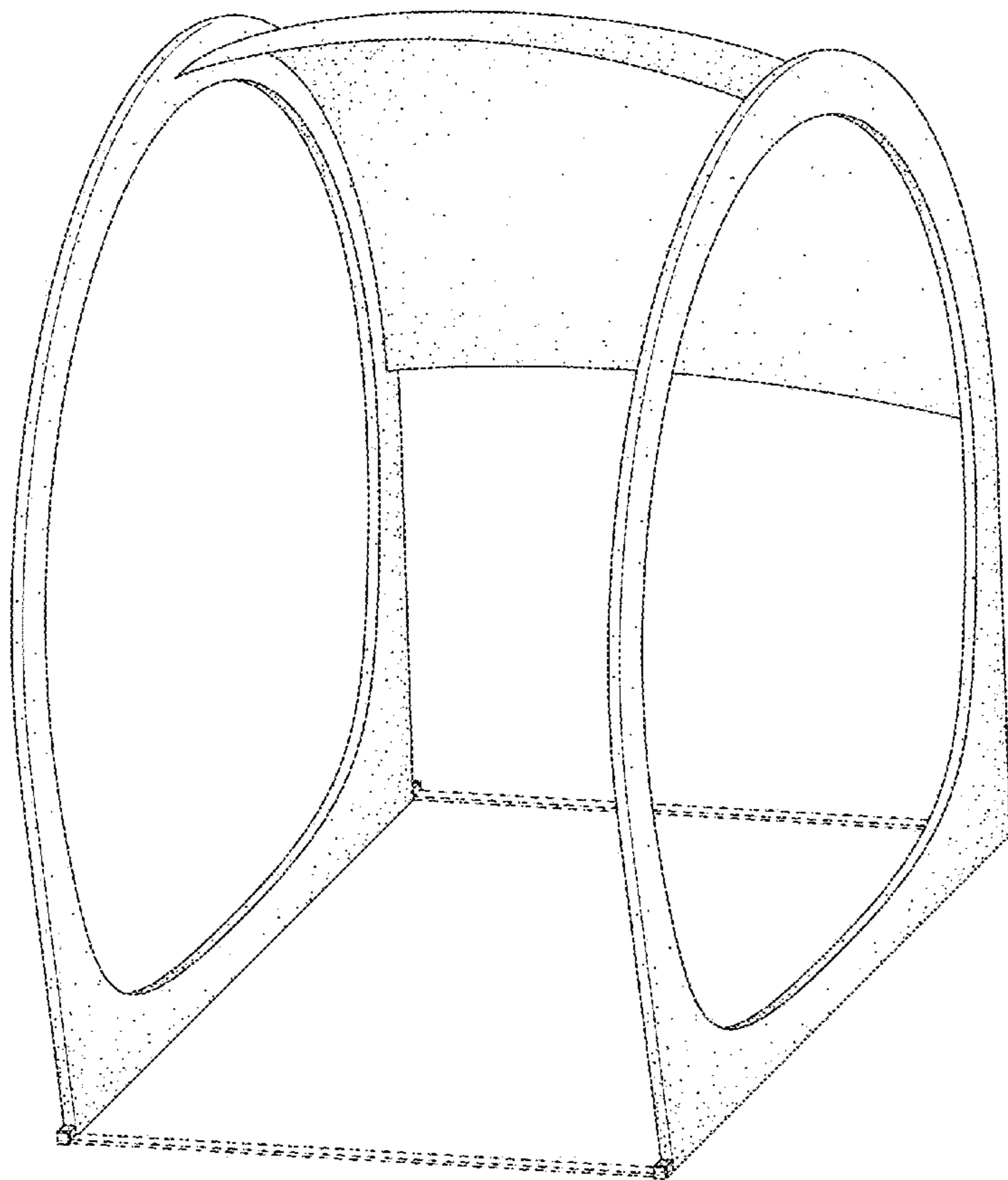


FIG. 1

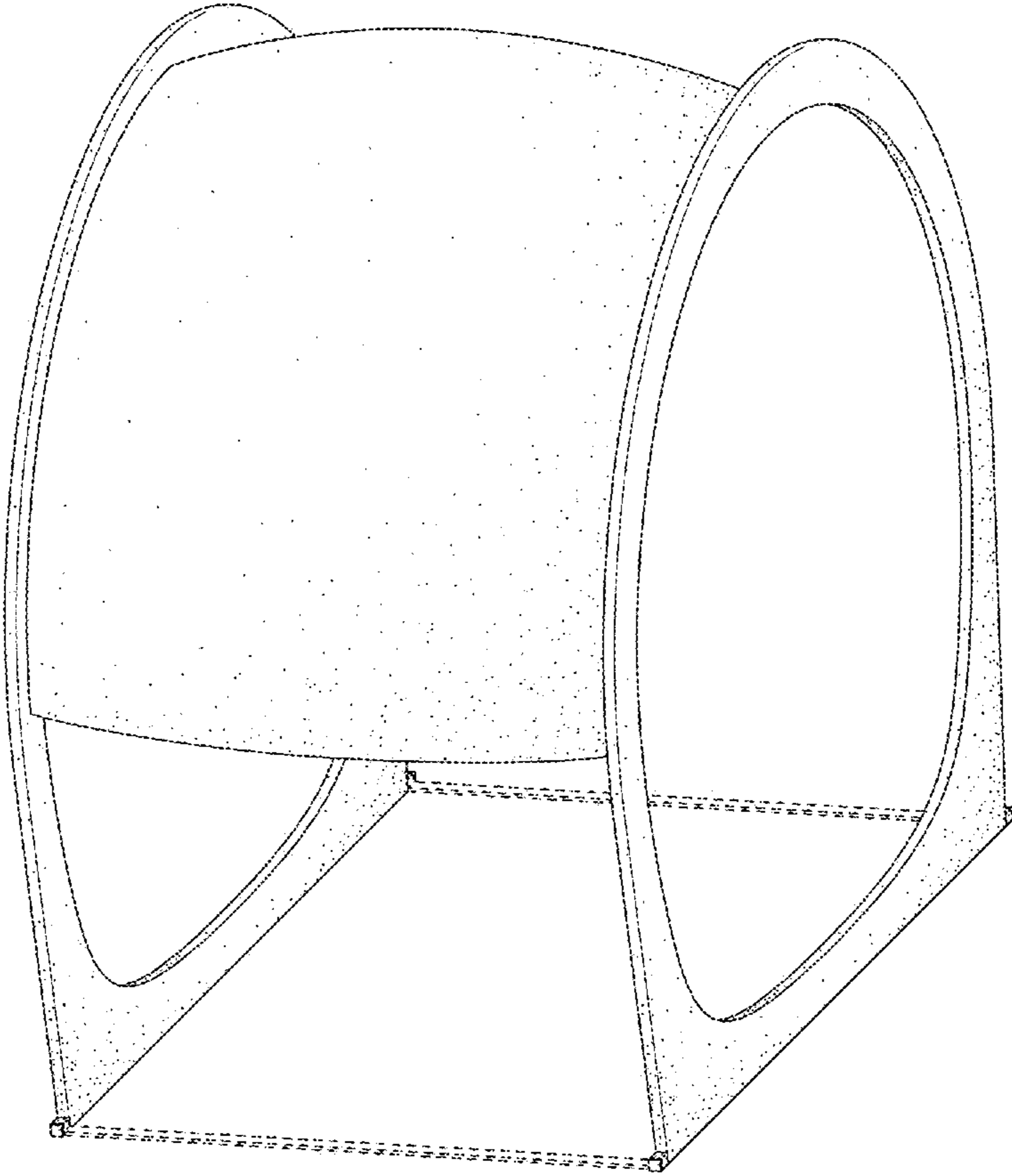


FIG. 2

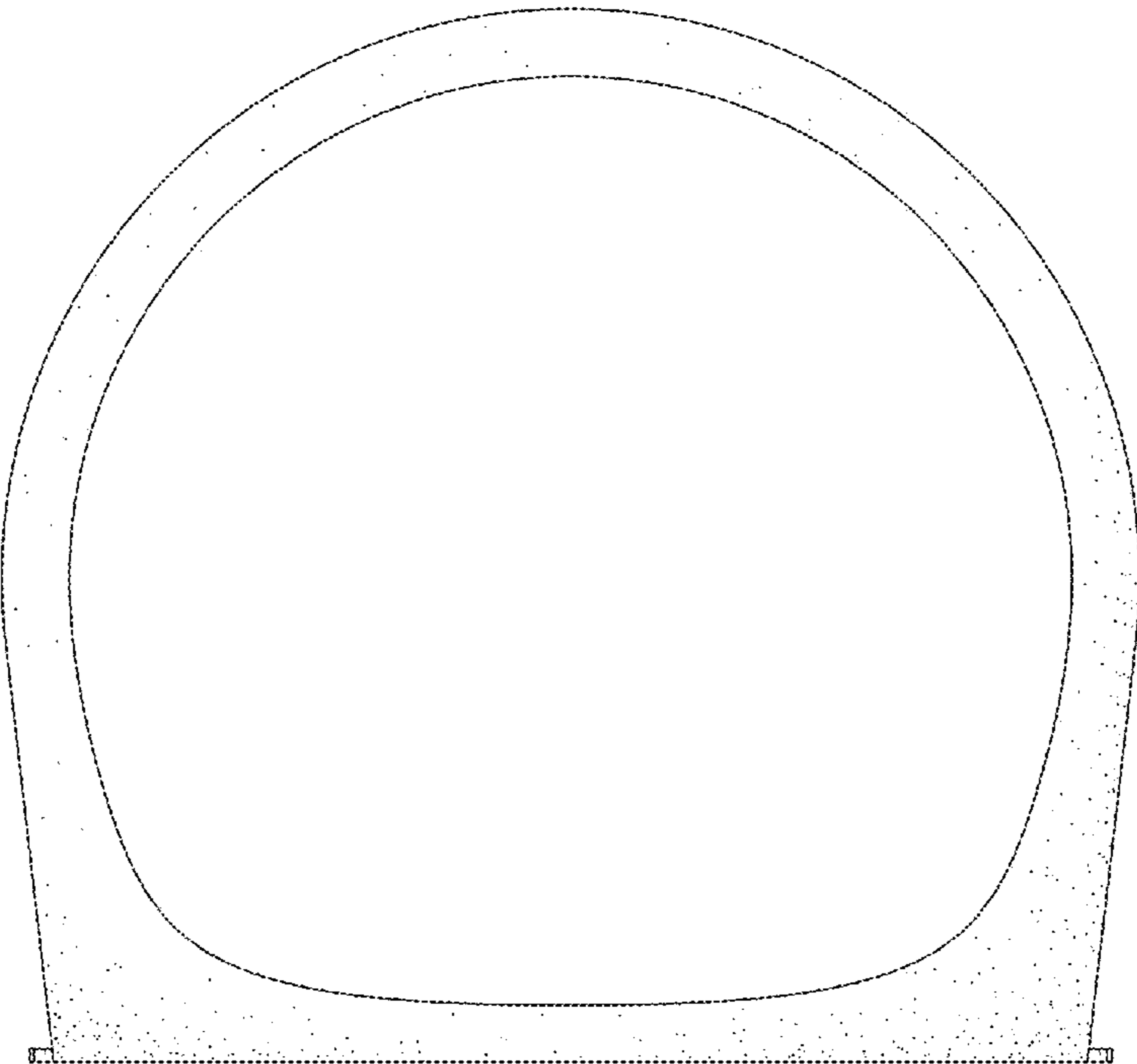


FIG. 3

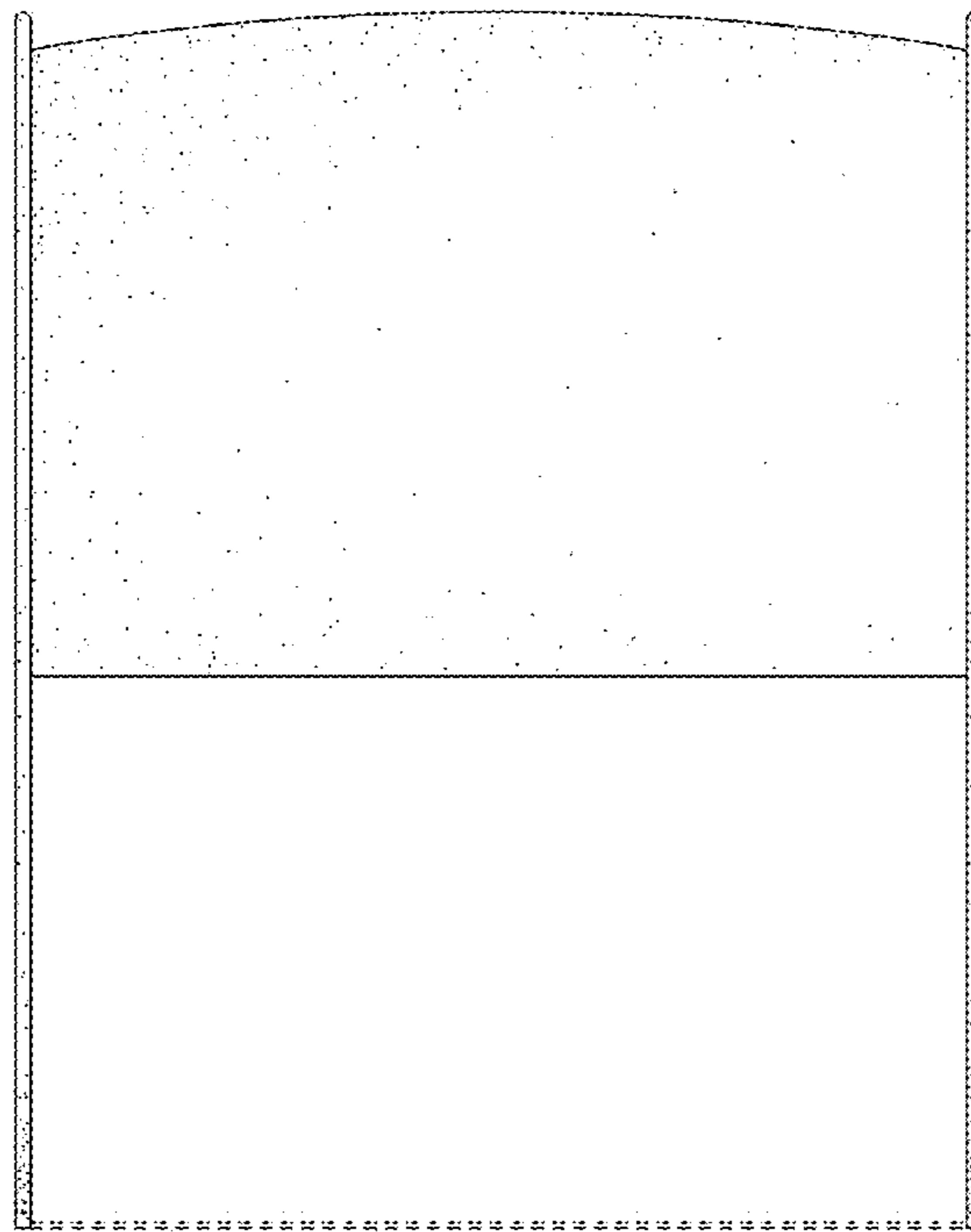


FIG. 4