



US00D750033S

(12) **United States Design Patent**
Privitera et al.

(10) **Patent No.:** **US D750,033 S**
(45) **Date of Patent:** **** Feb. 23, 2016**

(54) **MODULAR ELECTRONICS CHASSIS**

(71) Applicants: **Peter Privitera**, San Francisco, CA (US); **Jon Carver**, Millbrae, CA (US); **Joshua Druker**, Redwood City, CA (US); **Tad Hunt**, Sunnyvale, CA (US); **Douglas Brockett**, Menlo Park, CA (US); **Ramesh Balan**, Cupertino, CA (US)

(72) Inventors: **Peter Privitera**, San Francisco, CA (US); **Jon Carver**, Millbrae, CA (US); **Joshua Druker**, Redwood City, CA (US); **Tad Hunt**, Sunnyvale, CA (US); **Douglas Brockett**, Menlo Park, CA (US); **Ramesh Balan**, Cupertino, CA (US)

(73) Assignee: **Exablox Corporation**, Sunnyvale, CA (US)

(**) Term: **14 Years**

(21) Appl. No.: **29/460,435**

(22) Filed: **Jul. 10, 2013**

(51) **LOC (10) Cl.** **13-99**

(52) **U.S. Cl.**
USPC **D13/184**

(58) **Field of Classification Search**

USPC D13/110, 118, 123, 158, 164, 172, 177, D13/184, 199; D14/301, 331, 355, 441, D14/442, 443, 444, 445; 174/50, 59; 361/600, 601, 622, 676, 678, 679.01, 361/679.02, 688, 692; 312/309
CPC H05K 5/0295; H05K 13/00; G06F 1/183
See application file for complete search history.

(56) **References Cited**

U.S. PATENT DOCUMENTS

D381,637 S * 7/1997 Haider et al. D13/184
D393,637 S * 4/1998 Franek D14/125
D464,044 S * 10/2002 Wang et al. D14/240

(Continued)

Primary Examiner — Ian Simmons

Assistant Examiner — Harold Blackwell, II

(74) *Attorney, Agent, or Firm* — Carr & Ferrell LLP

(57) **CLAIM**

The ornamental design for a modular electronics chassis, as shown and described.

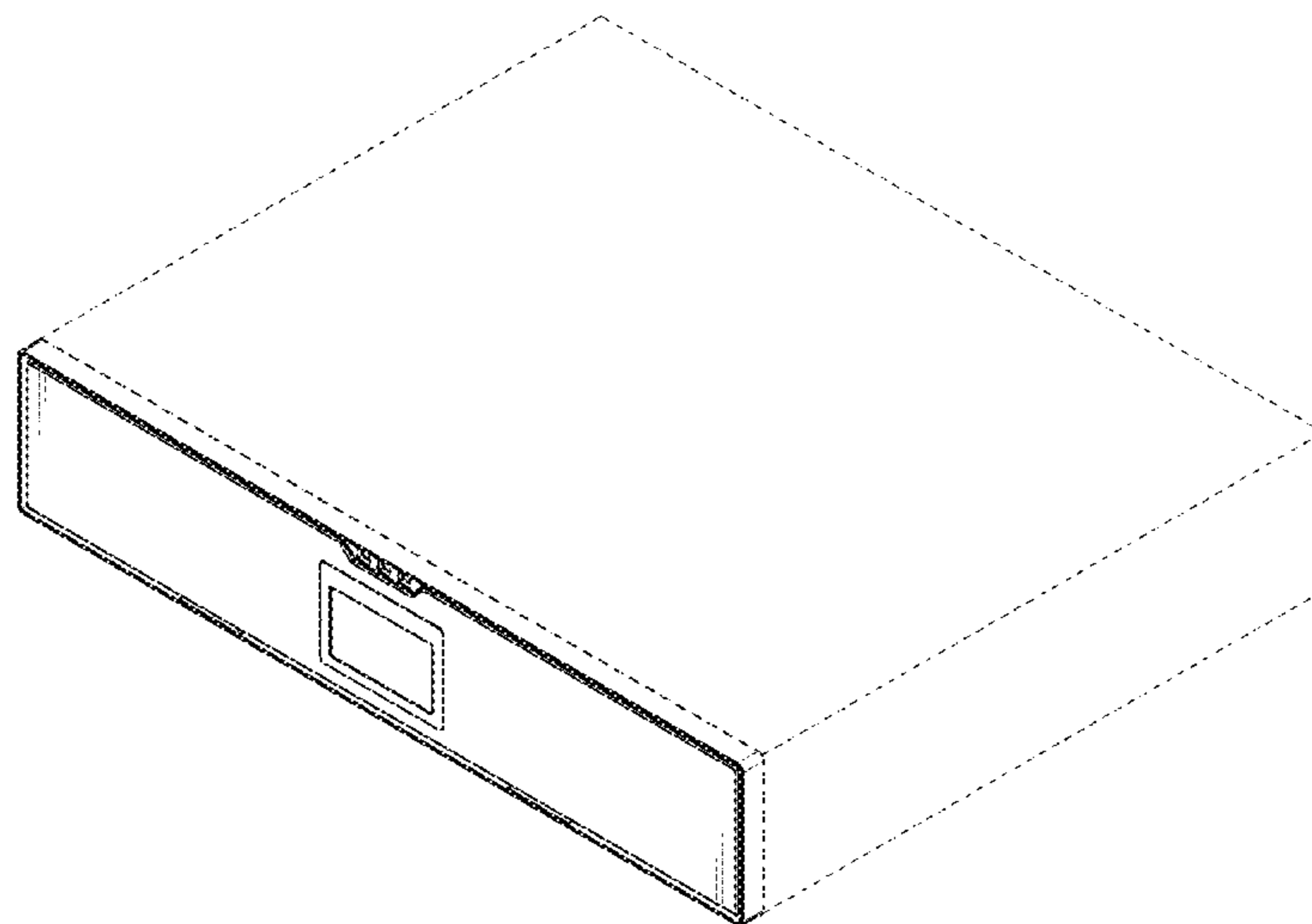
DESCRIPTION

FIG. 1 is a front perspective view of a modular electronics chassis showing the new design; FIG. 2 is a front view thereof; FIG. 3 is a rear view thereof; FIG. 4 is a right side view thereof; FIG. 5 is a left side view thereof; FIG. 6 is a top view thereof; FIG. 7 is a bottom view thereof; FIG. 8 is a front perspective view of a front panel in a closed position shown separately for clarity of illustration; FIG. 9 is a front perspective view of the front panel in an open position, showing doors in a closed position; FIG. 10 is a front perspective view of the front panel in the open position, showing a door in an open position; FIG. 11 is a front perspective view of the front panel in the open position, showing the door in an expanded position; FIG. 12 is a left side view of the front panel in the open position, showing the door in an open position; FIG. 13 is a right side view of the front panel in the open position, showing the door in an open position; FIG. 14 is a left side view of the front panel in the open position, showing the door in an expanded position; and, FIG. 15 is a right side view of the front panel in the open position, showing the door in an expanded position.

The broken lines (dash lines) in the drawings illustrate portions of the modular electronics chassis which form no part of the claimed design.

The broken lines (dot-dash lines) in the drawings which define the bounds of the modular electronics chassis form no part of the claimed design.

1 Claim, 11 Drawing Sheets



US D750,033 S

Page 2

(56)

References Cited

U.S. PATENT DOCUMENTS

D475,681 S * 6/2003 Ho D13/118
D553,616 S * 10/2007 Tosh et al. D14/301
D593,562 S * 6/2009 Alfonso et al. D14/444

D599,789 S * 9/2009 Shimizu D14/257
D612,330 S * 3/2010 Du et al. D13/110
8,991,950 B2 * 3/2015 Privitera et al. 312/309
2014/0345105 A1 11/2014 Brockett

* cited by examiner

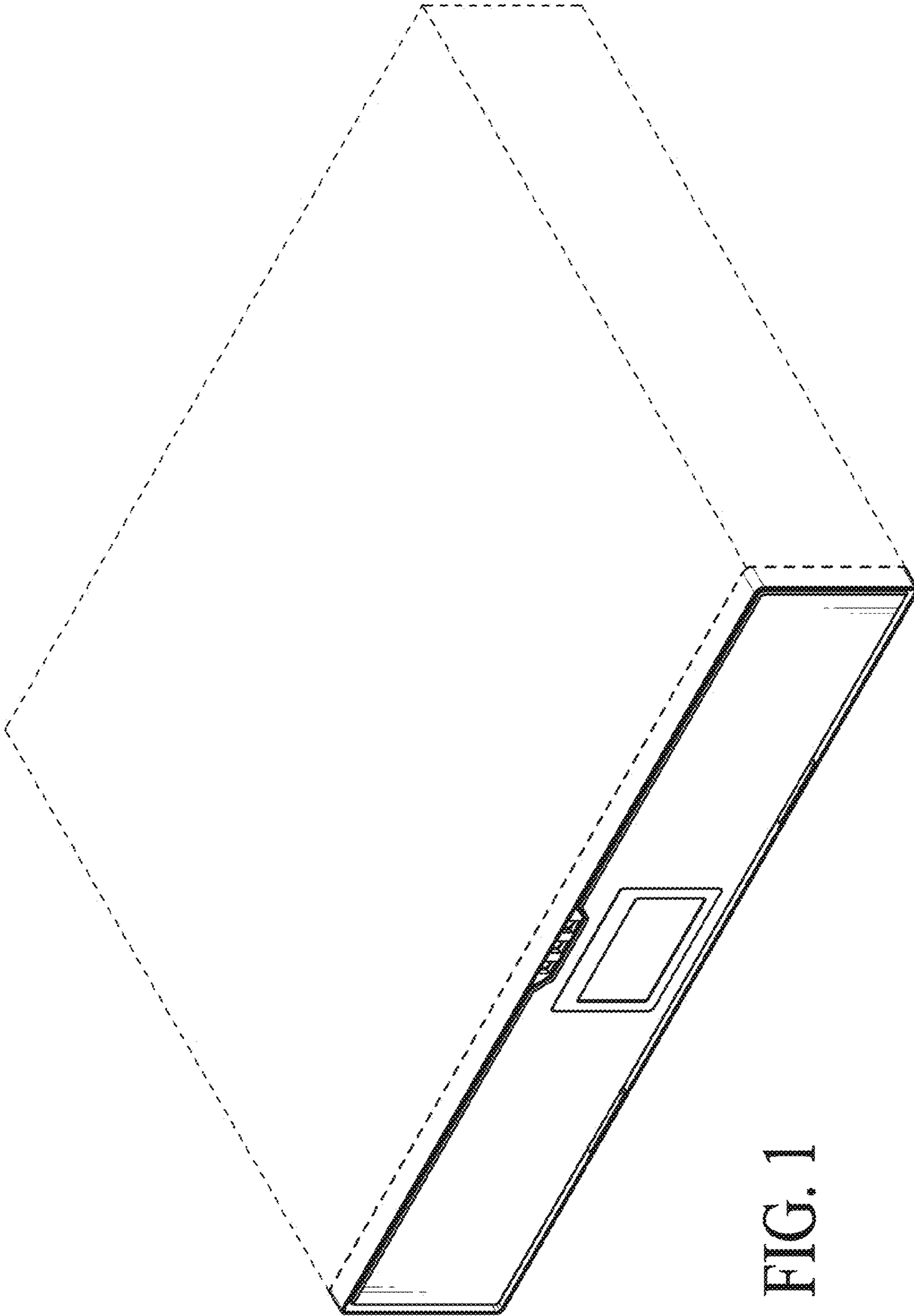


FIG. 1

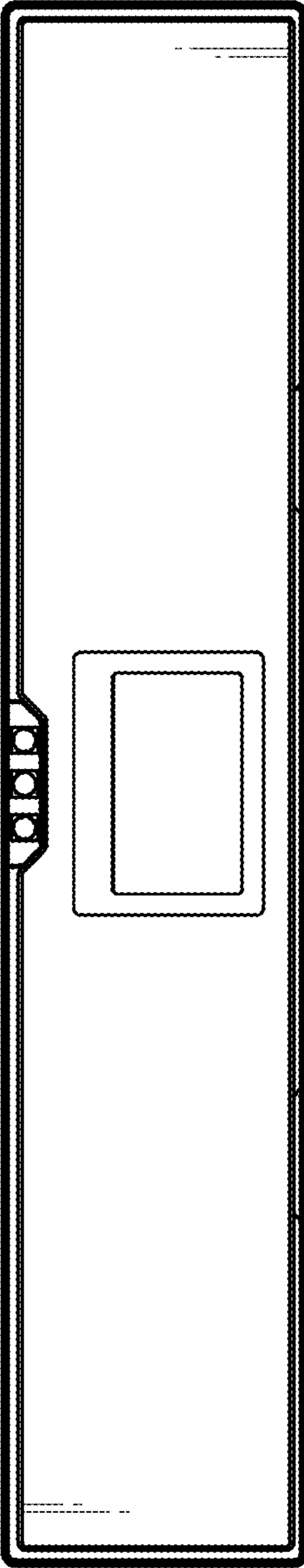


FIG. 2

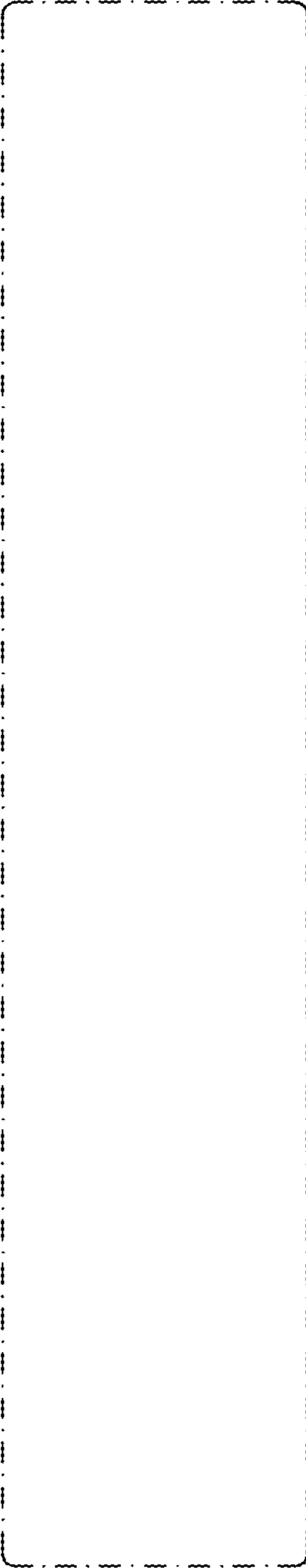


FIG. 3

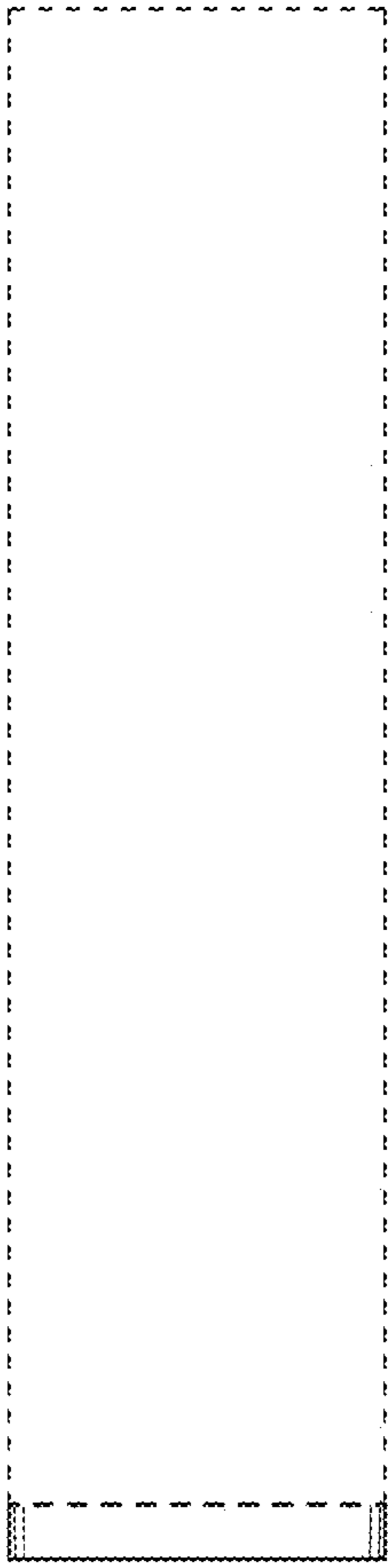


FIG. 4

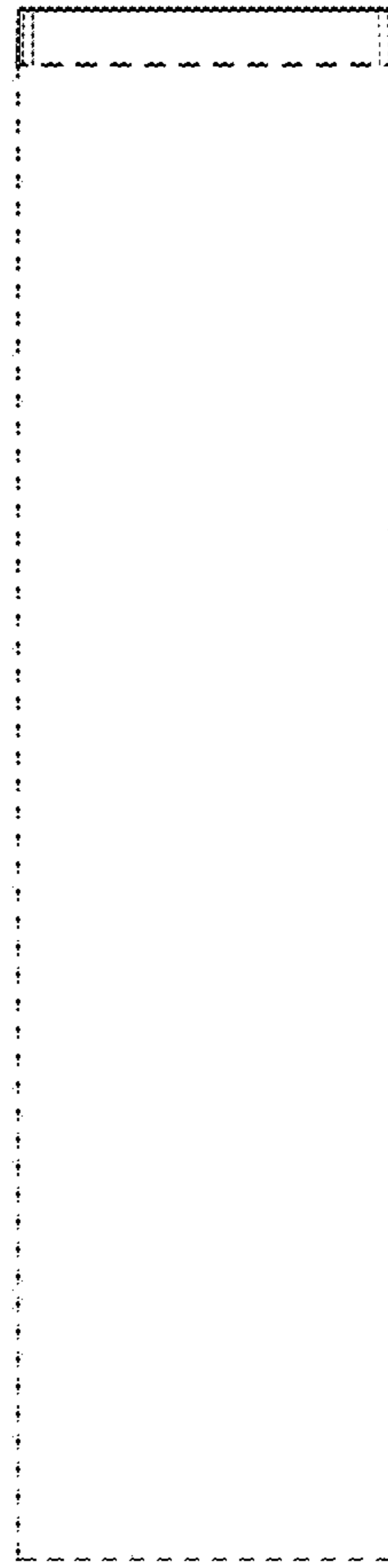


FIG. 5

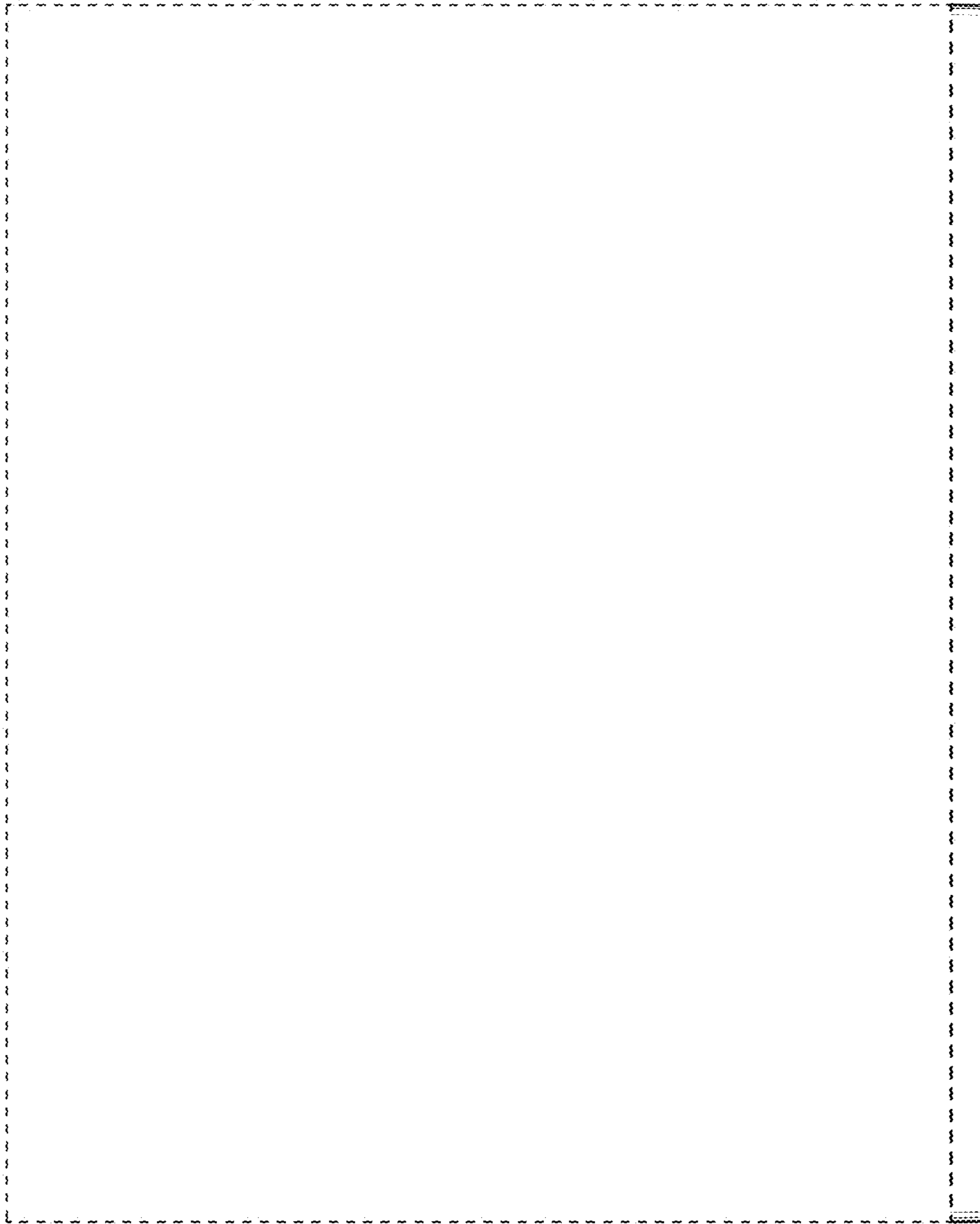


FIG. 6



FIG. 7

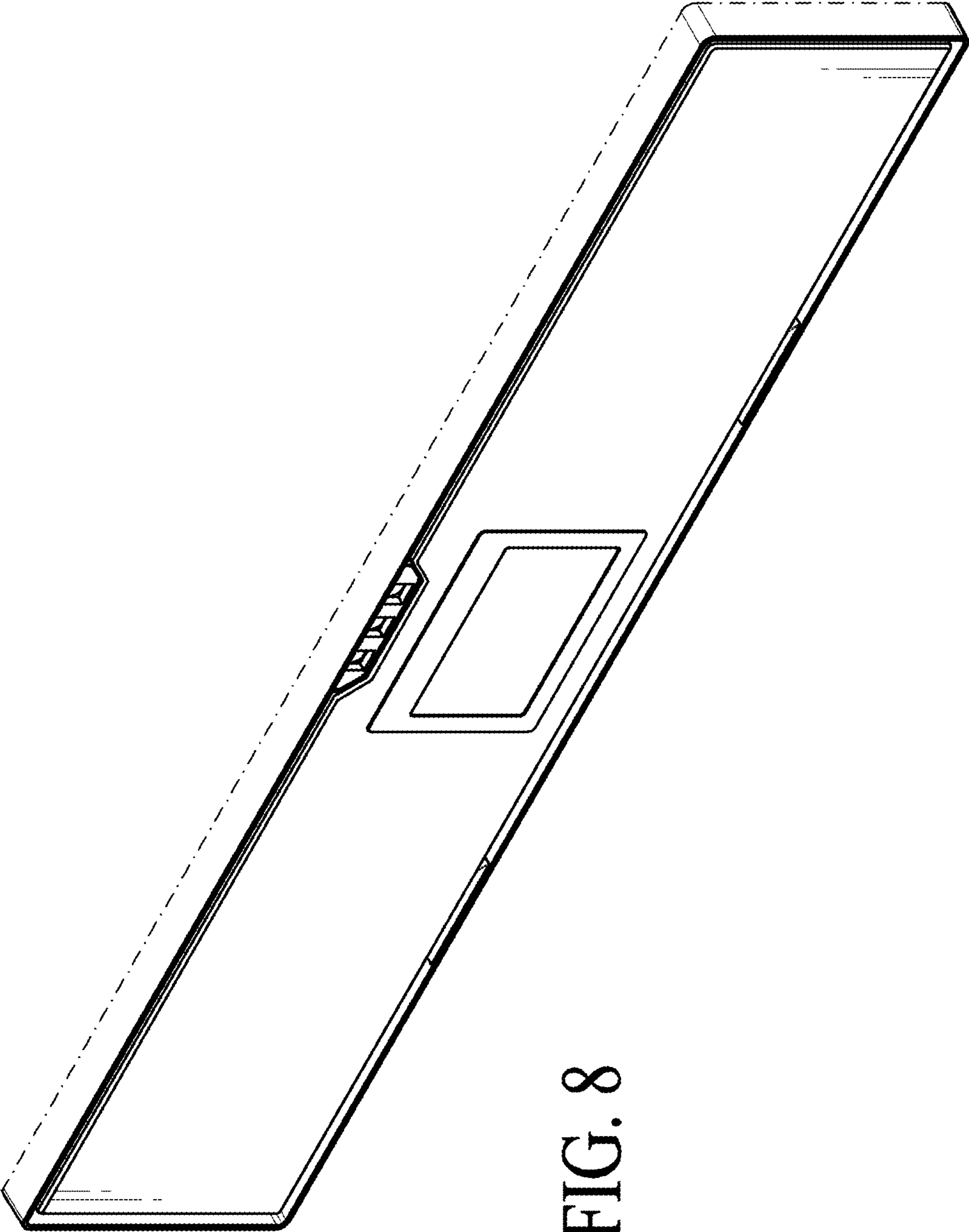


FIG. 8

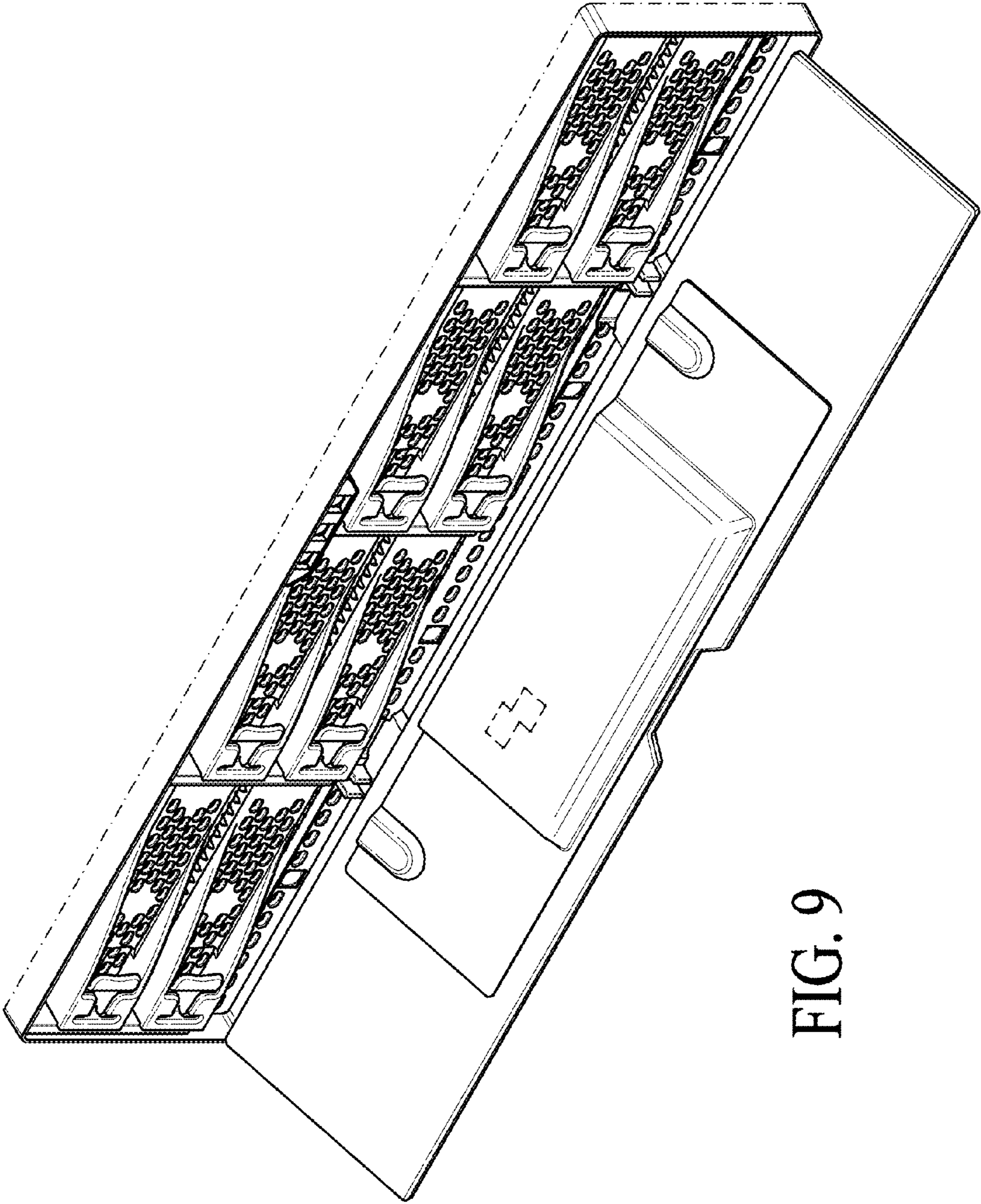


FIG. 9

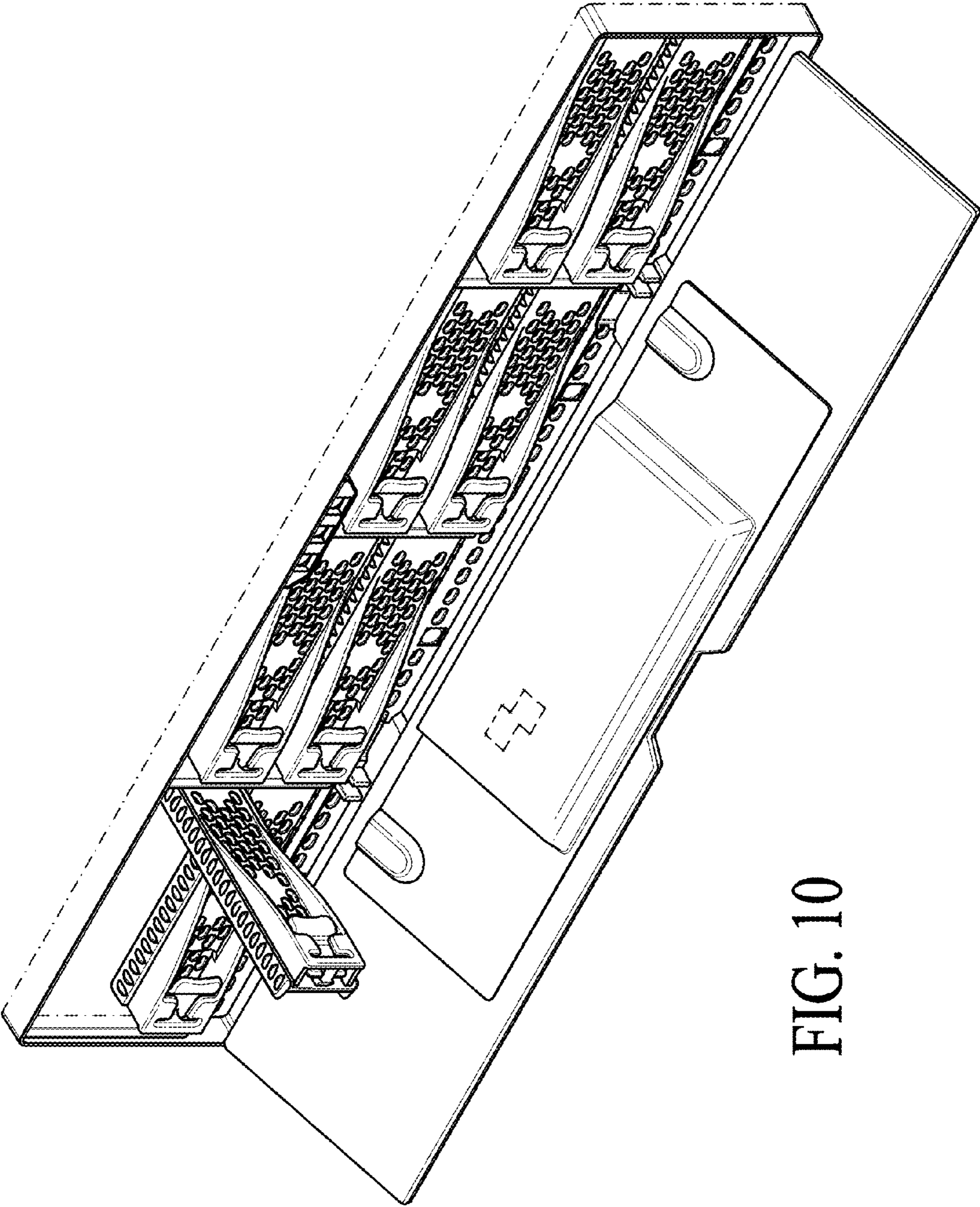


FIG. 10

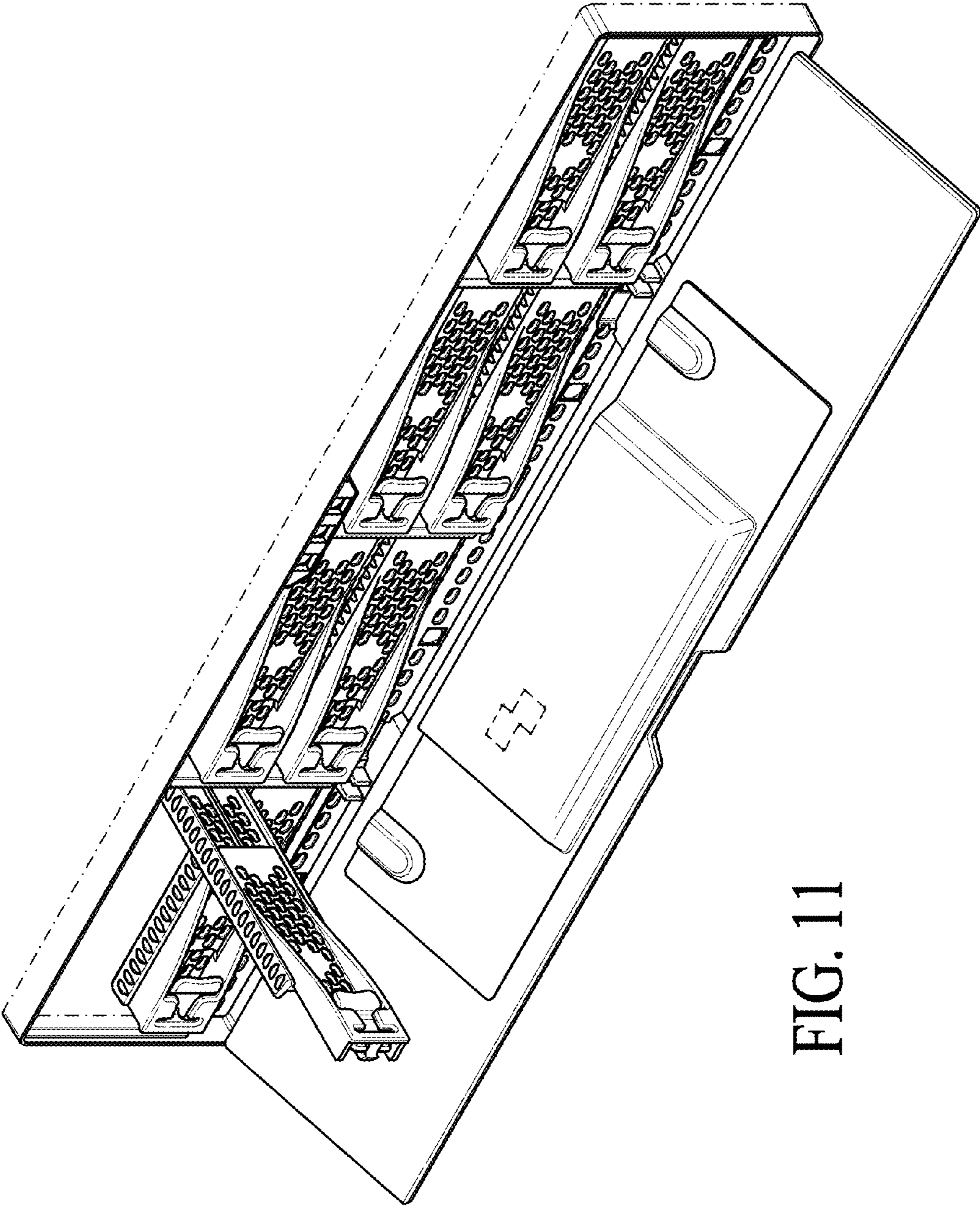


FIG. 11

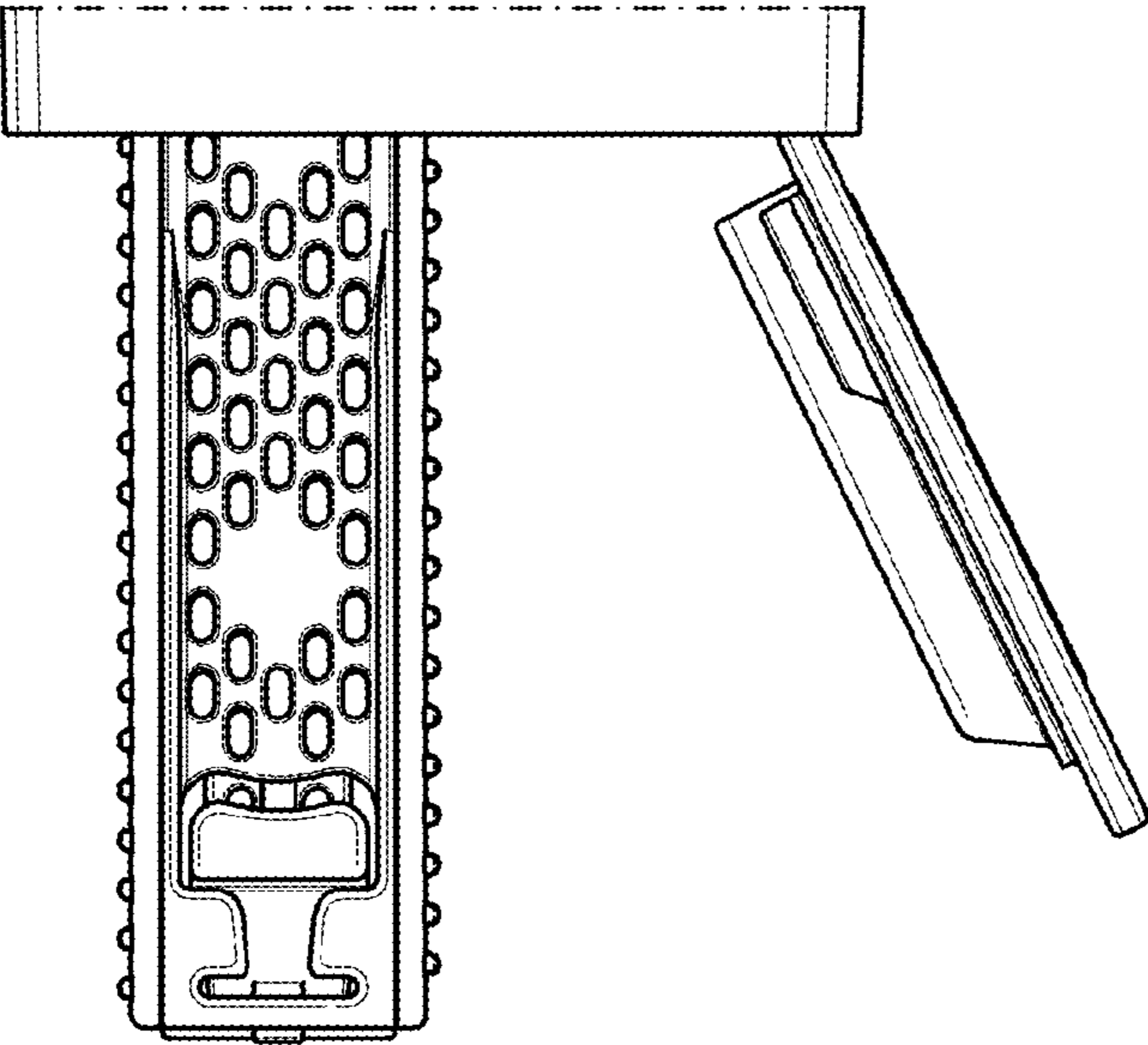


FIG. 13

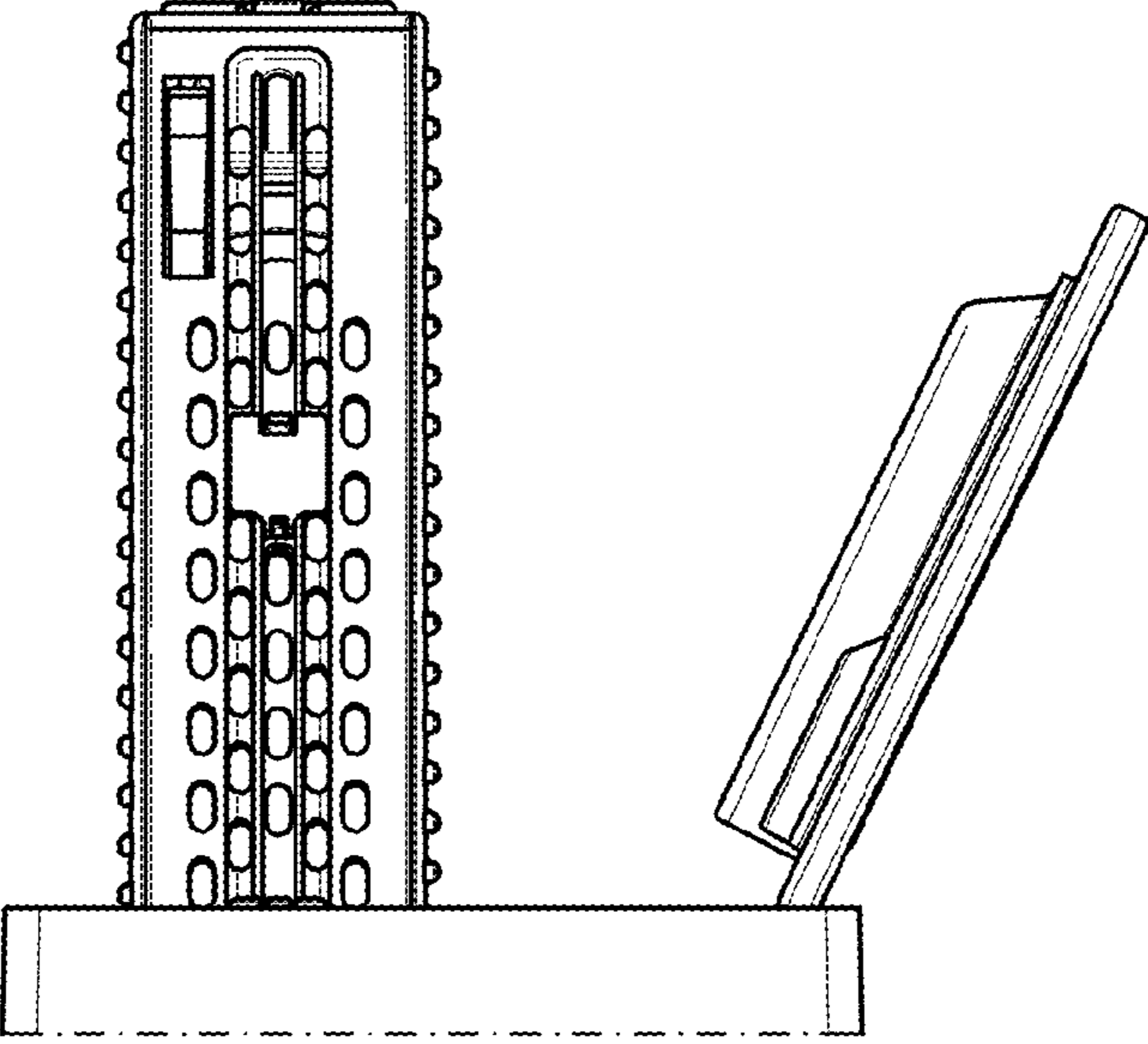


FIG. 12

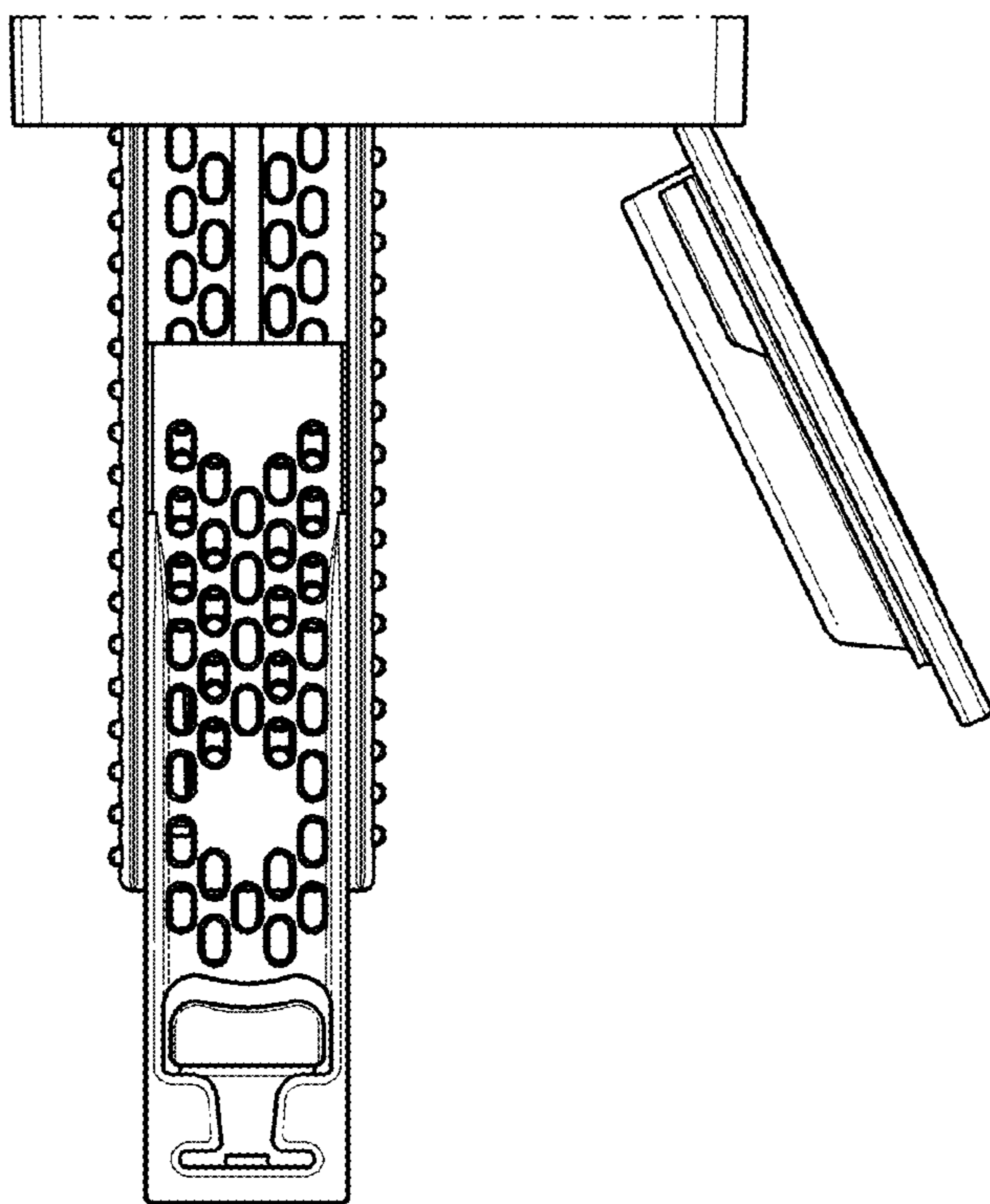


FIG. 14

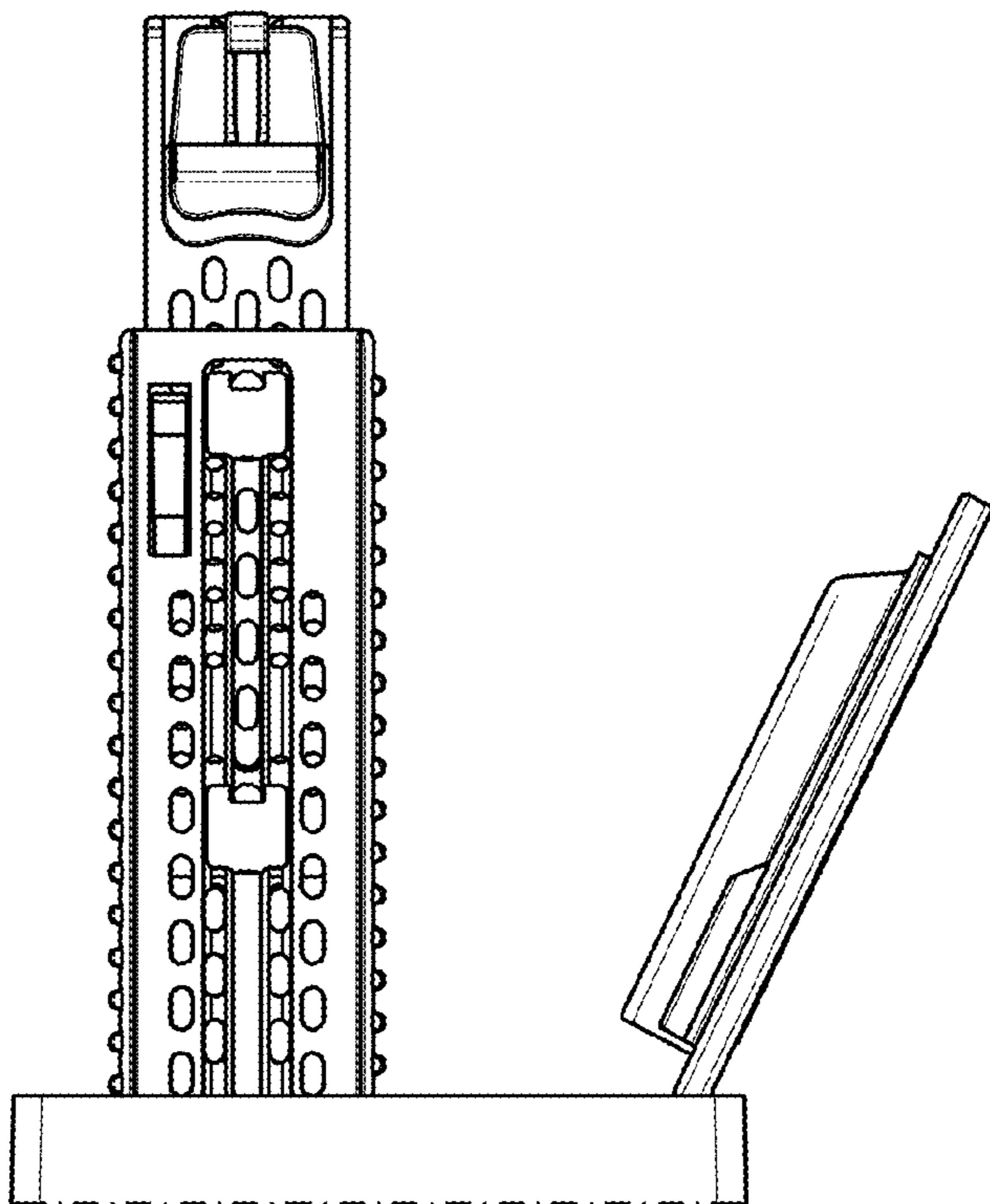


FIG. 15