



US00D750032S

(12) **United States Design Patent**
Suenaga

(10) **Patent No.:** **US D750,032 S**
(45) **Date of Patent:** **** Feb. 23, 2016**

(54) **LID OF A WIRE HARNESS PROTECTOR**

(71) Applicant: **Sumitomo Wiring Systems, Ltd.**,
Yokkaichi-shi, Mie-ken (JP)

(72) Inventor: **Ryo Suenaga**, Yokkaichi (JP)

(73) Assignee: **Sumitomo Wiring Systems, Ltd.**,
Yokkaichi-shi (JP)

(**) Term: **15 Years**

(21) Appl. No.: **29/544,850**

(22) Filed: **Nov. 6, 2015**

(30) **Foreign Application Priority Data**

Sep. 25, 2015 (JP) 2015-021117

(51) **LOC (10) Cl.** **13-03**

(52) **U.S. Cl.**
USPC **D13/156**

(58) **Field of Classification Search**
USPC D13/123, 154, 155, 156, 184, 199;
D8/349, 353, 356; D9/434, 435, 439;
D23/386; 174/50, 66, 68.1, 135, 153 A;
439/445, 447, 535
CPC H02G 3/00; H02G 3/04; H02G 3/08;
H02G 3/0418; H02G 3/0425; H02G 3/0456;
H02G 3/0487; H02G 3/045; H02G 3/0431;
H02G 3/0608; B60R 16/0215
See application file for complete search history.

(56) **References Cited**

U.S. PATENT DOCUMENTS

3,636,984 A	1/1972	Rauhauser	
4,077,434 A	3/1978	Sieckert et al.	
D270,574 S *	9/1983	Black	D25/68
5,024,251 A	6/1991	Chapman	
5,203,129 A *	4/1993	Johnson	E06B 9/24 52/202
5,332,866 A	7/1994	Sawamura	
D409,896 S *	5/1999	Kaplan	D8/356

D415,482 S *	10/1999	Jolson	D14/447
6,037,543 A *	3/2000	Nicoli	H02G 3/0608 138/157
7,017,615 B2	3/2006	Suzuki et al.	
7,214,879 B1	5/2007	Suzuki et al.	
D602,764 S *	10/2009	Pae	D8/356
D611,326 S	3/2010	Alaniz et al.	
7,687,713 B2	3/2010	VanderVelde et al.	
7,825,339 B2	11/2010	Suzuki	
D635,935 S *	4/2011	Donowho	D13/155

(Continued)

Primary Examiner — Derrick Holland

(74) *Attorney, Agent, or Firm* — Ceasar Rivise, PC

(57) **CLAIM**

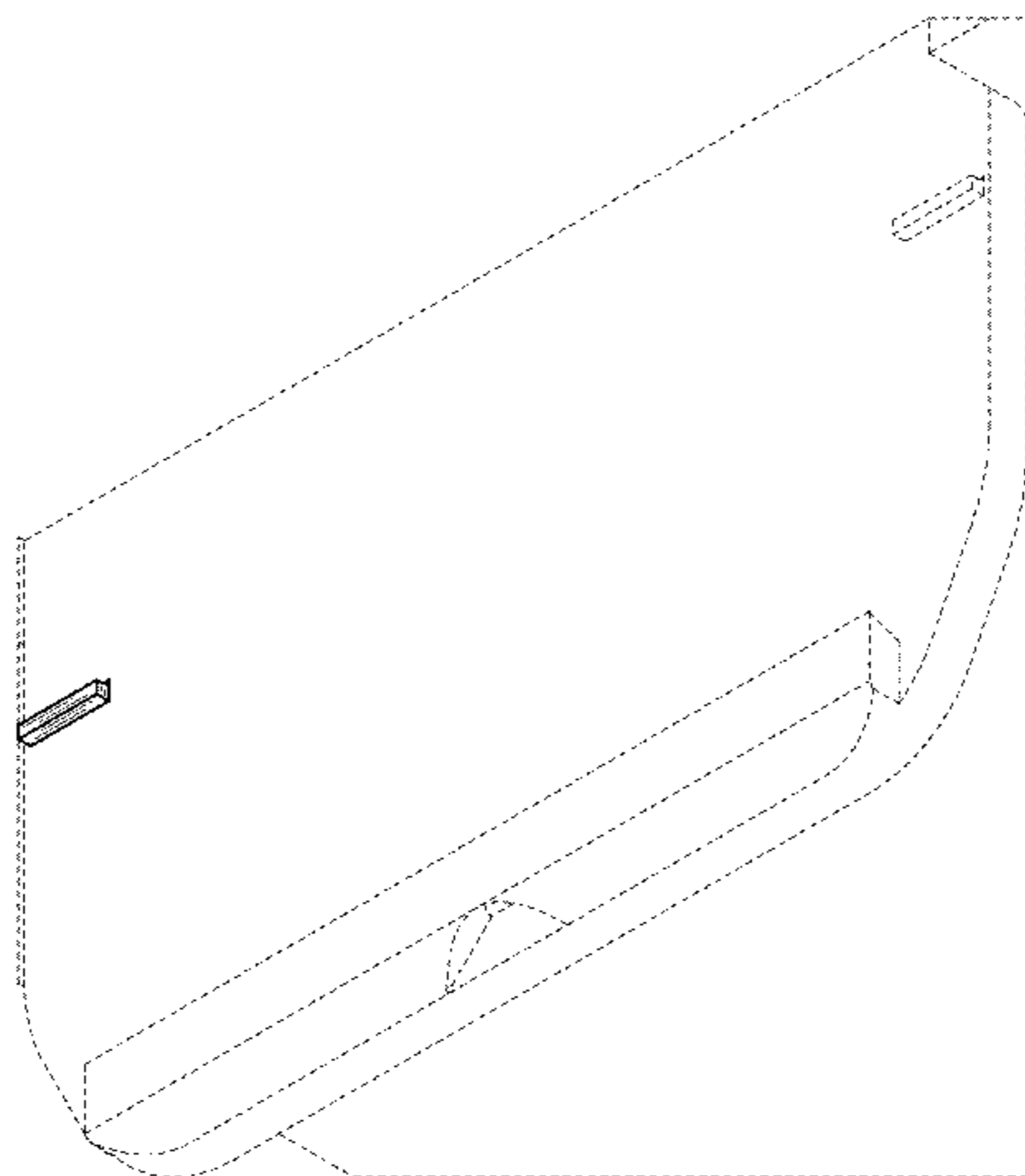
The ornamental design for a lid of a wire harness protector, as shown and described.

DESCRIPTION

FIG. 1 is a front, bottom, and right side perspective view of a lid of a wire harness protector showing my new design;
FIG. 2 is a front view thereof;
FIG. 3 is a rear view thereof;
FIG. 4 is a top plan view thereof;
FIG. 5 is a bottom plan view thereof;
FIG. 6 is a right side view thereof;
FIG. 7 is a left side view thereof;
FIG. 8 is an enlarged view of the portion indicated by lines 8-8 in FIG. 1;
FIG. 9 is an enlarged view of the portion indicated by lines 9-9 in FIG. 2;
FIG. 10 is an enlarged view of the portion indicated by line 10-10 in FIG. 4;
FIG. 11 is an enlarged view of the portion indicated by line 11-11 in FIG. 5; and,
FIG. 12 is an enlarged view of the portion indicated by line 12-12 in FIG. 7.

The features shown in broken lines in the drawings depict environmental subject matter only and form no part of the claimed design. The dash-dotted lines denote the boundary of the claim and form no part of the claimed design.

1 Claim, 12 Drawing Sheets



(56)

References Cited

U.S. PATENT DOCUMENTS

D638,687 S *	5/2011	Minkley	D8/349	8,575,487 B2	11/2013	Agusa	
7,964,796 B2	6/2011	Suzuki		8,733,798 B2	5/2014	McCarthy et al.	
8,119,913 B2	2/2012	Sonotsu		2005/0103517 A1 *	5/2005	Canepa	H02G 3/045 174/68.3
8,124,887 B2 *	2/2012	Suzuki	B60R 16/0215 174/481	2005/0241715 A1	11/2005	Suzuki et al.	
8,188,368 B2	5/2012	Suzuki		2009/0090533 A1 *	4/2009	Jones	H02G 3/0456 174/95
				2010/0193060 A1	8/2010	McCarthy et al.	

* cited by examiner

FIG. 1

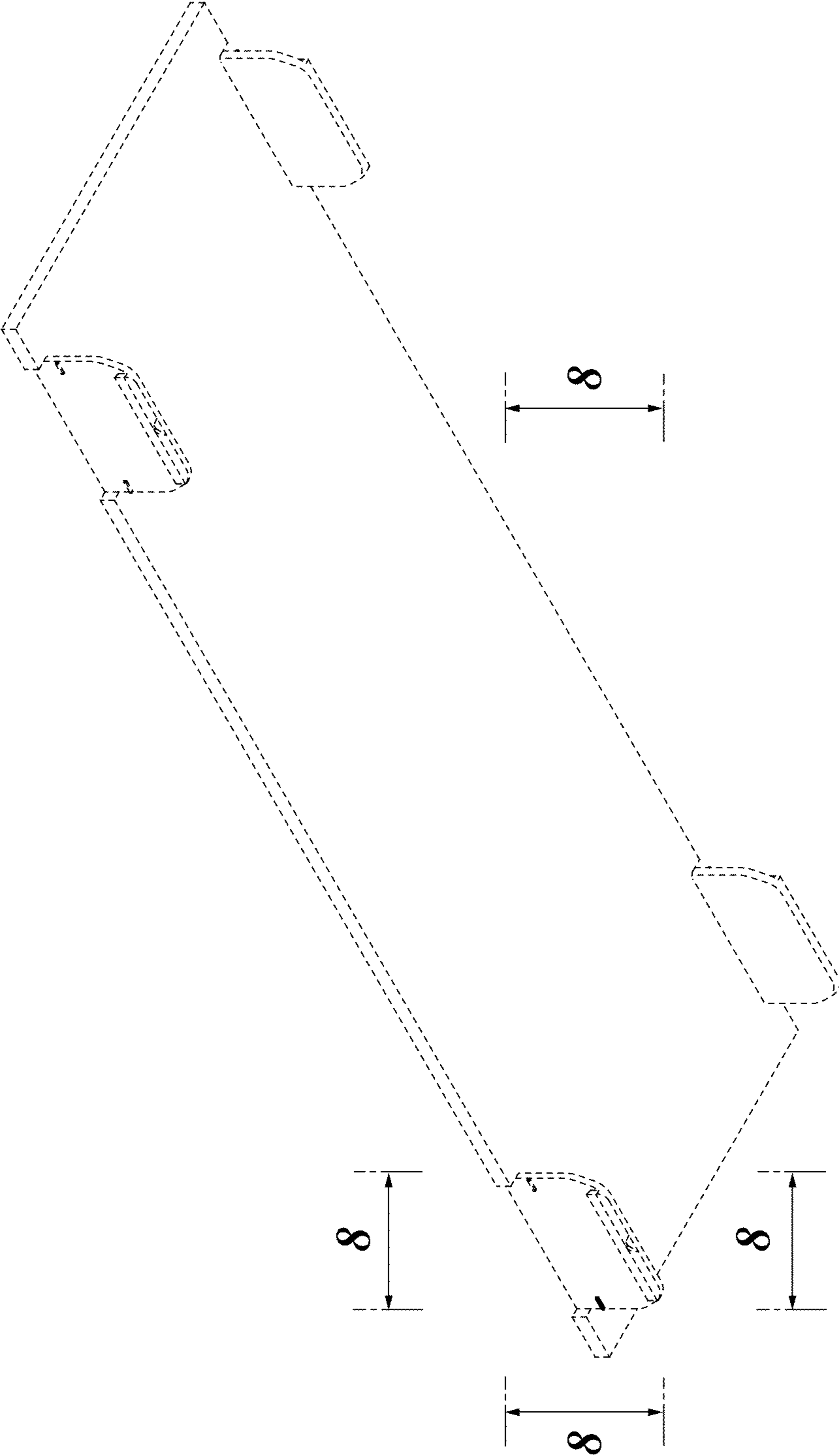


FIG. 2

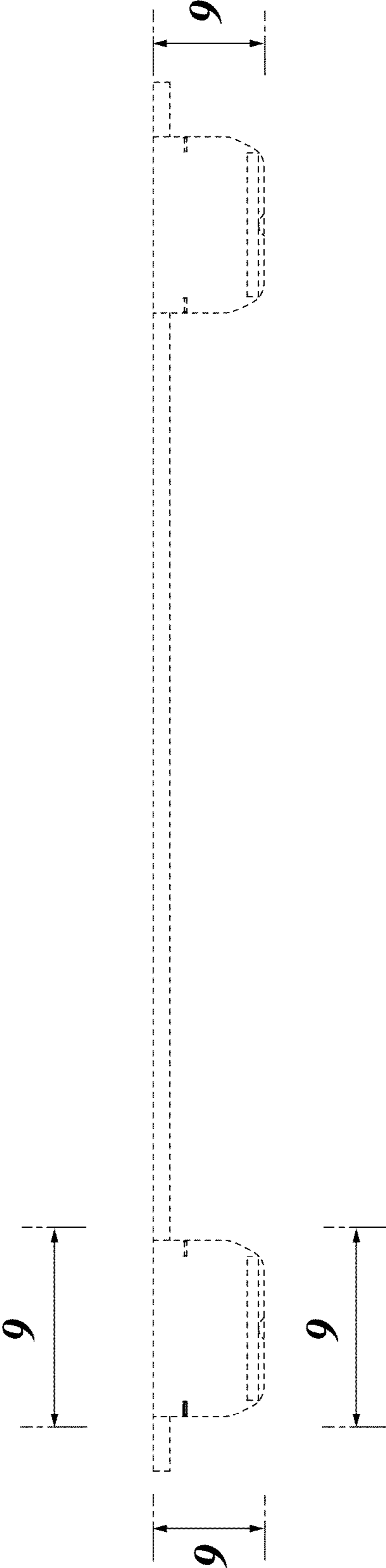


FIG. 3

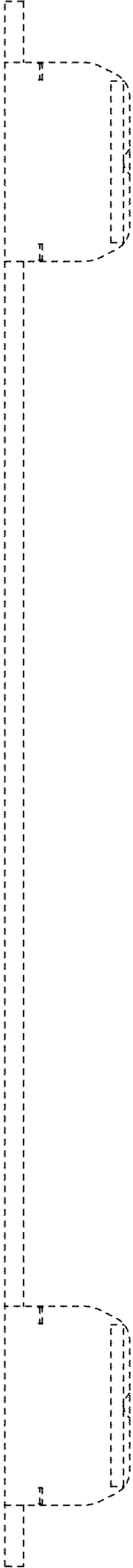


FIG. 4



FIG. 5



FIG. 6

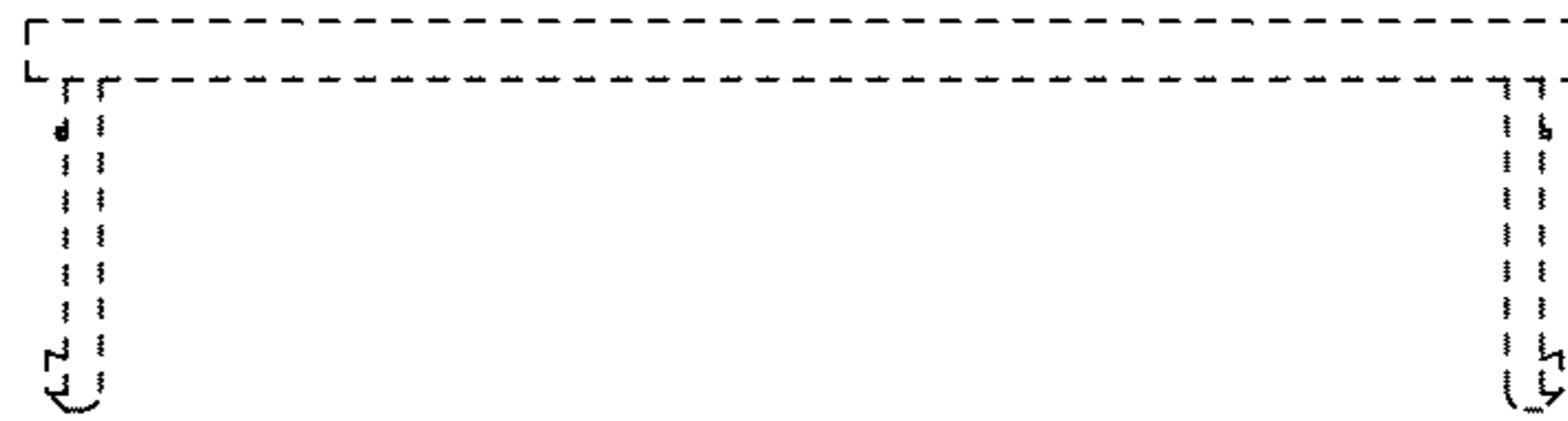


FIG. 7

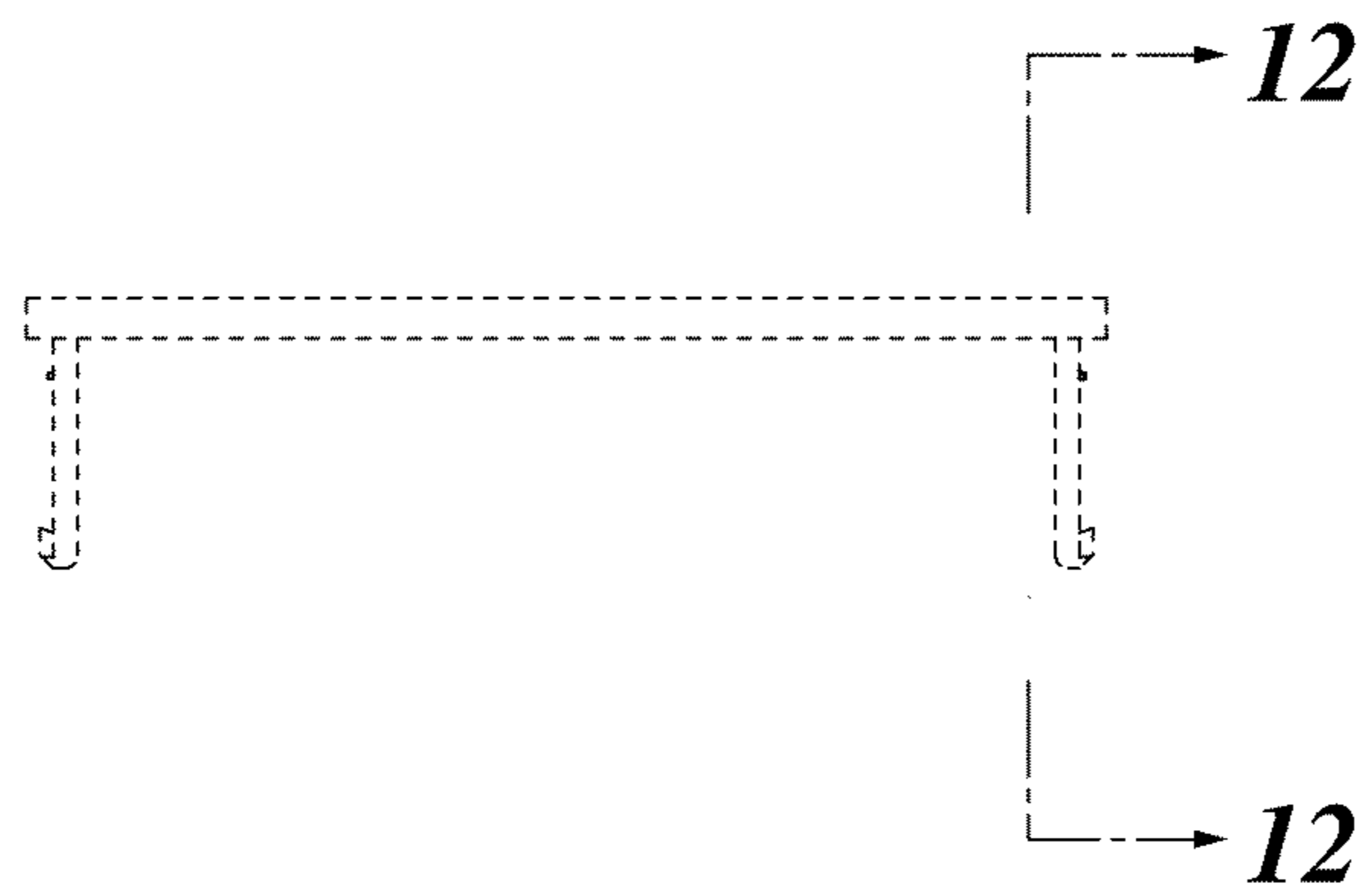


FIG. 8

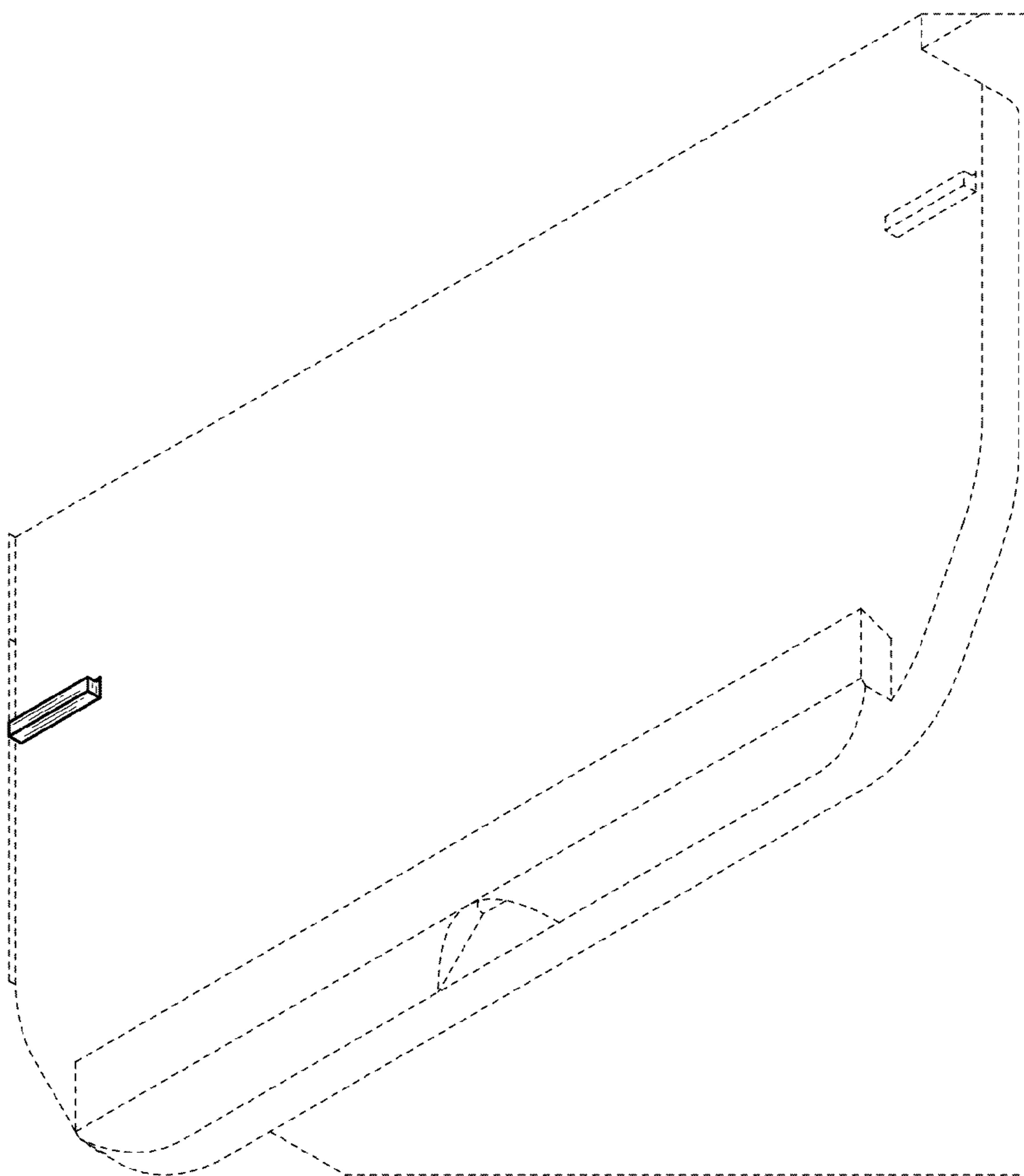


FIG. 9

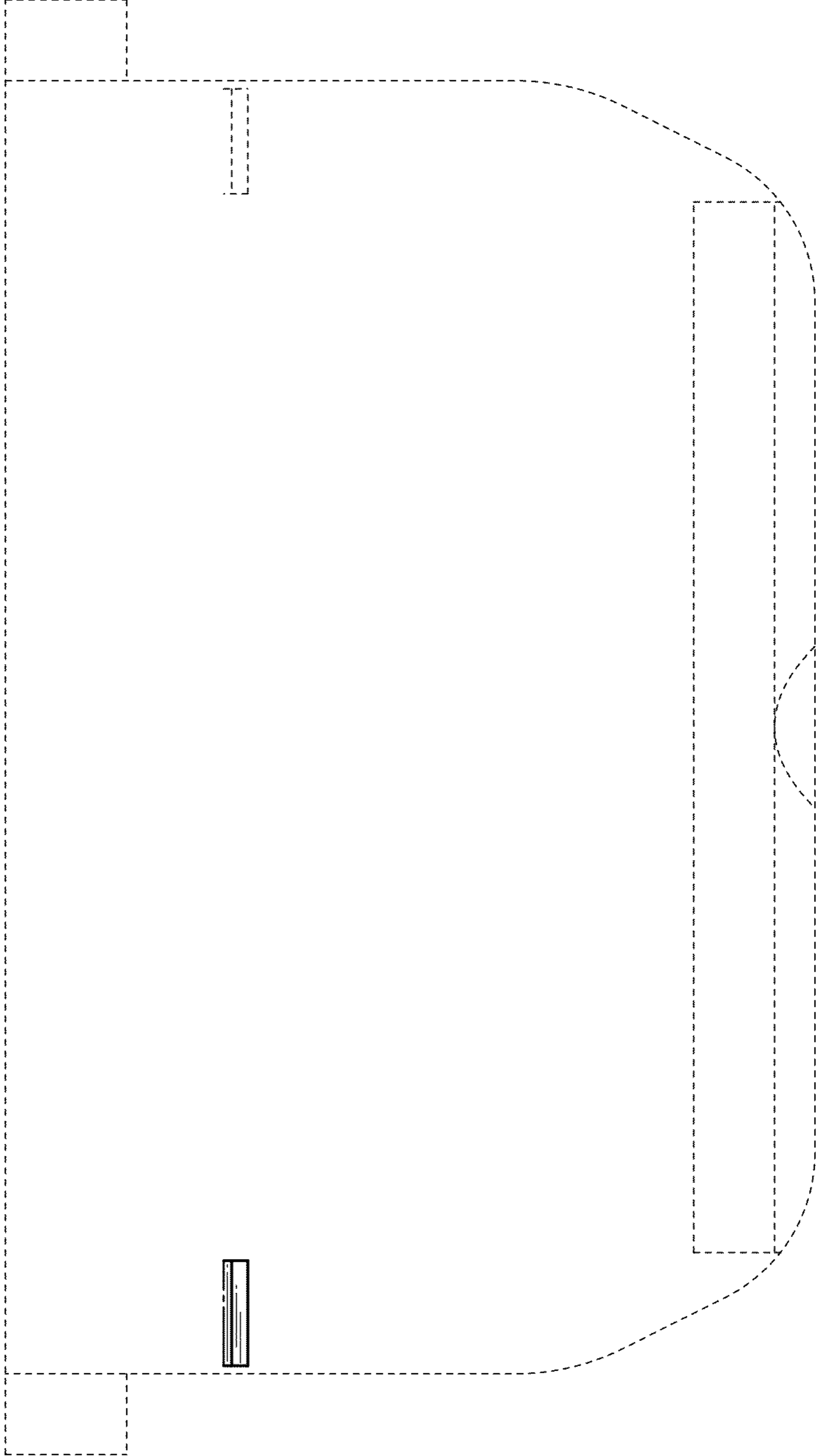


FIG. 10

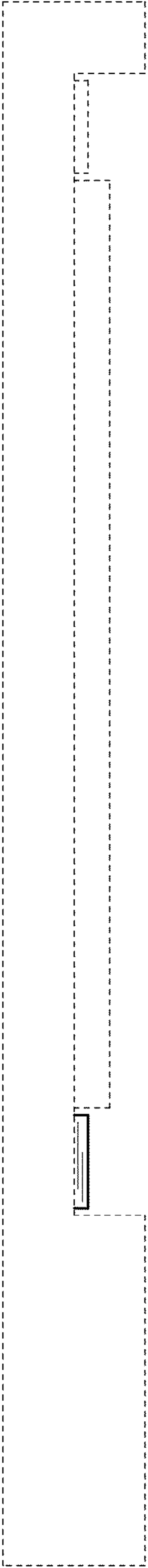


FIG. 11

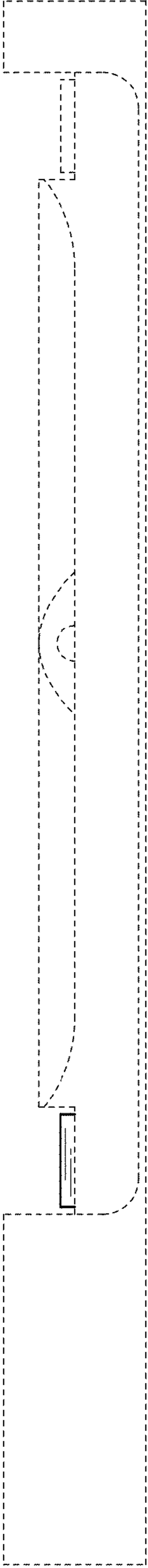


FIG. 12

