



US00D750031S

(12) **United States Design Patent**
Lord

(10) **Patent No.:** **US D750,031 S**
(45) **Date of Patent:** **** Feb. 23, 2016**

(54) **VERTICAL ELECTRICAL CONNECTOR**

(71) Applicant: **Hung-Wei Lord**, Harrisburg, PA (US)

(72) Inventor: **Hung-Wei Lord**, Harrisburg, PA (US)

(73) Assignee: **FCI Americas Technology LLC**,
Carson City, NV (US)

(**) Term: **15 Years**

(21) Appl. No.: **29/528,439**

(22) Filed: **May 28, 2015**

Related U.S. Application Data

(60) Continuation of application No. 29/508,056, filed on Nov. 3, 2014, now Pat. No. Des. 733,061, which is a division of application No. 29/439,453, filed on Dec. 11, 2012, now Pat. No. Des. 718,250.

(51) **LOC (10) Cl.** **13-03**

(52) **U.S. Cl.**
USPC **D13/154; D13/147**

(58) **Field of Classification Search**
USPC D13/147, 154, 184, 199
See application file for complete search history.

(56) **References Cited**

U.S. PATENT DOCUMENTS

D205,509 S	8/1966	Reynolds	
D210,829 S	4/1968	Hanlon et al.	
D497,343 S	10/2004	Busse et al.	
D598,389 S	8/2009	Yu et al.	
D608,292 S	1/2010	Stutz	
D611,906 S	3/2010	Takada et al.	
D611,907 S	3/2010	Takada et al.	
D718,243 S	11/2014	Scholeno	
D718,244 S	11/2014	Scholeno	
D718,248 S	11/2014	Harper, Jr.	
D718,249 S	11/2014	Lord et al.	
D718,250 S	11/2014	Lord et al.	
D732,479 S *	6/2015	Scholeno	D13/147
D733,059 S *	6/2015	Lord	D13/147
D733,060 S *	6/2015	Harper, Jr.	D13/147

D733,061 S *	6/2015	Lord	D13/147
2004/0161954 A1	8/2004	Johnescu et al.	
2006/0160425 A1	7/2006	Fuerst	
2012/0034820 A1	2/2012	Lang et al.	
2012/0258633 A1	10/2012	Johnson et al.	

OTHER PUBLICATIONS

U.S. Appl. No. 29/507,836, filed Oct. 31, 2014, Scholeno.
U.S. Appl. No. 29/528,211, filed May 27, 2014, Scholeno.
U.S. Appl. No. 29/528,896, filed Jun. 2, 2015, Harper.
SFF Committee, "Mini Multilane 12 Gbs 8/4X Unshielded Connector," SFF-8643 Rev. 2.3, Jan. 11, 2011, 24 pages.

* cited by examiner

Primary Examiner — Daniel Bui

(74) *Attorney, Agent, or Firm* — Baker & Hostetler LLP

(57) **CLAIM**

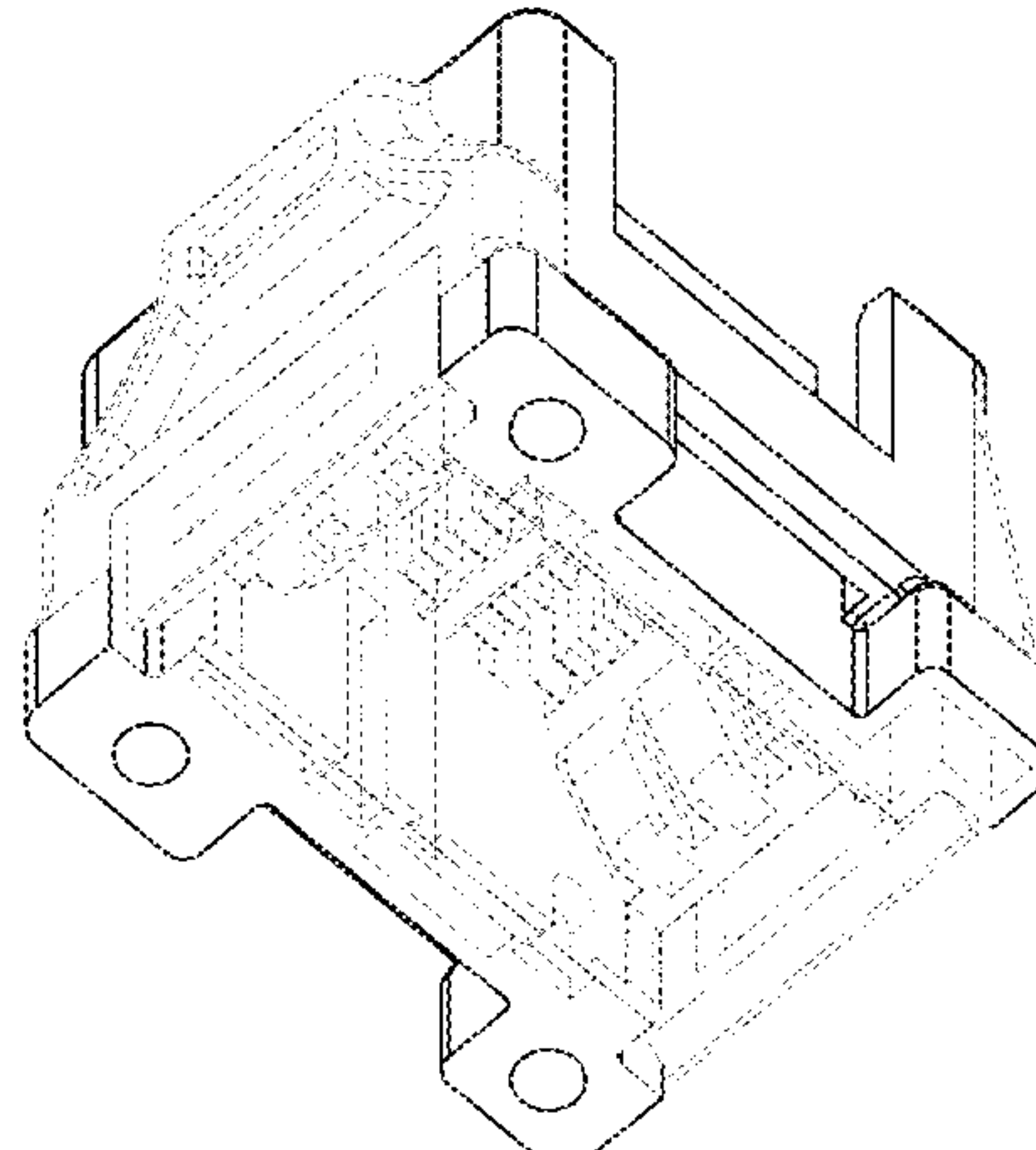
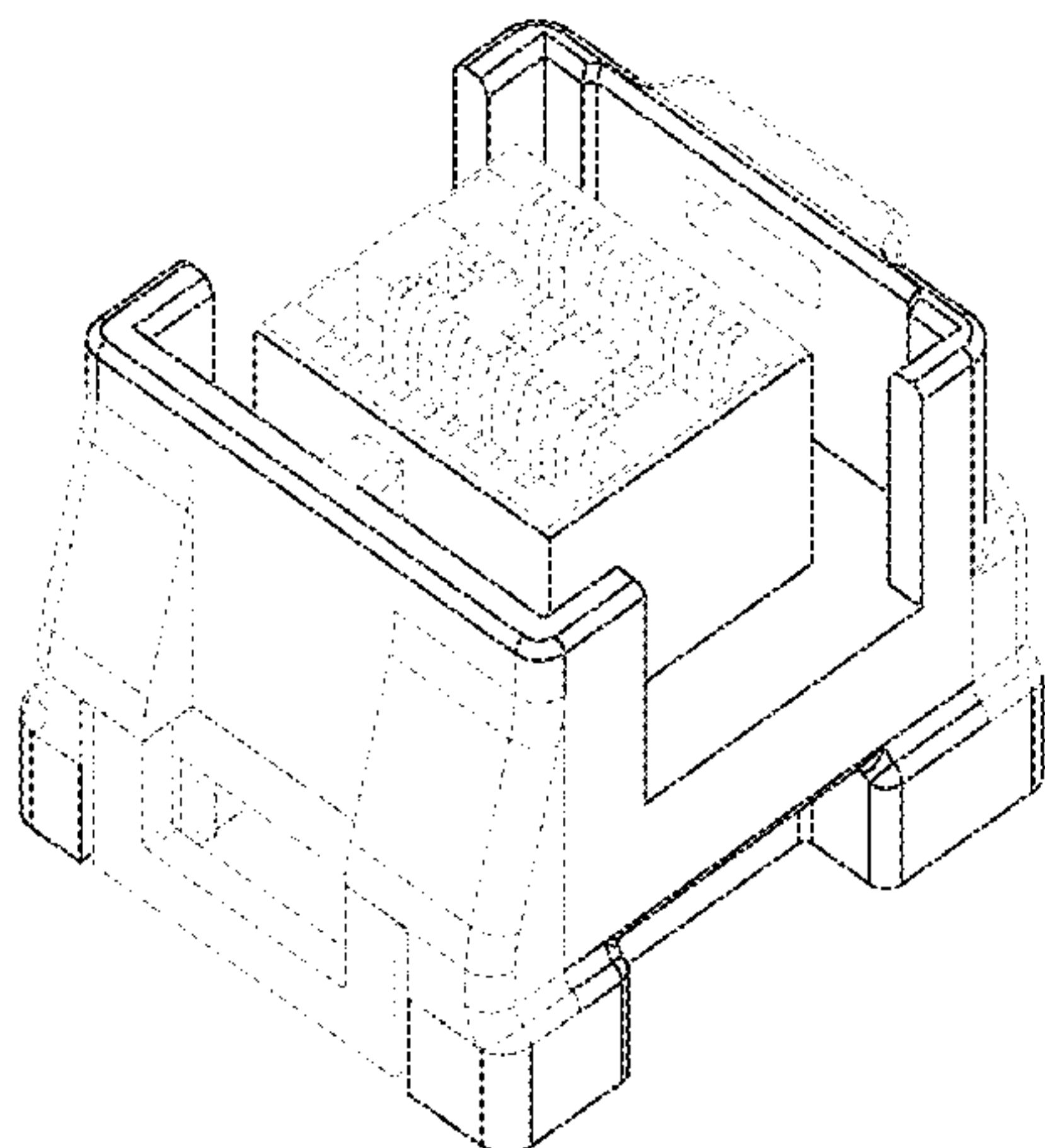
The ornamental design for a vertical electrical connector, as shown and described.

DESCRIPTION

FIG. 1 is a top, right, front perspective view of a vertical electrical connector according to my design;
FIG. 2 is a bottom, right, front perspective view thereof;
FIG. 3 is a bottom, left, rear perspective view thereof;
FIG. 4 is a bottom, left, front perspective view thereof;
FIG. 5 is a top, right, rear front perspective view thereof;
FIG. 6 is another bottom, left, rear perspective view thereof;
FIG. 7 is a right side elevation view thereof;
FIG. 8 is a left side elevation view thereof;
FIG. 9 is a front elevation view thereof;
FIG. 10 is a rear elevation view thereof;
FIG. 11 is a bottom plan view thereof; and,
FIG. 12 is a top plan view thereof.

The broken line portion of the figure drawings is included to show unclaimed subject matter only for the purpose of illustrating environment and forms no part of the claimed design. In a preferred embodiment, the nature of this product is an electrical component that can take the form of a vertical electrical connector and a connector housing therefor.

1 Claim, 6 Drawing Sheets



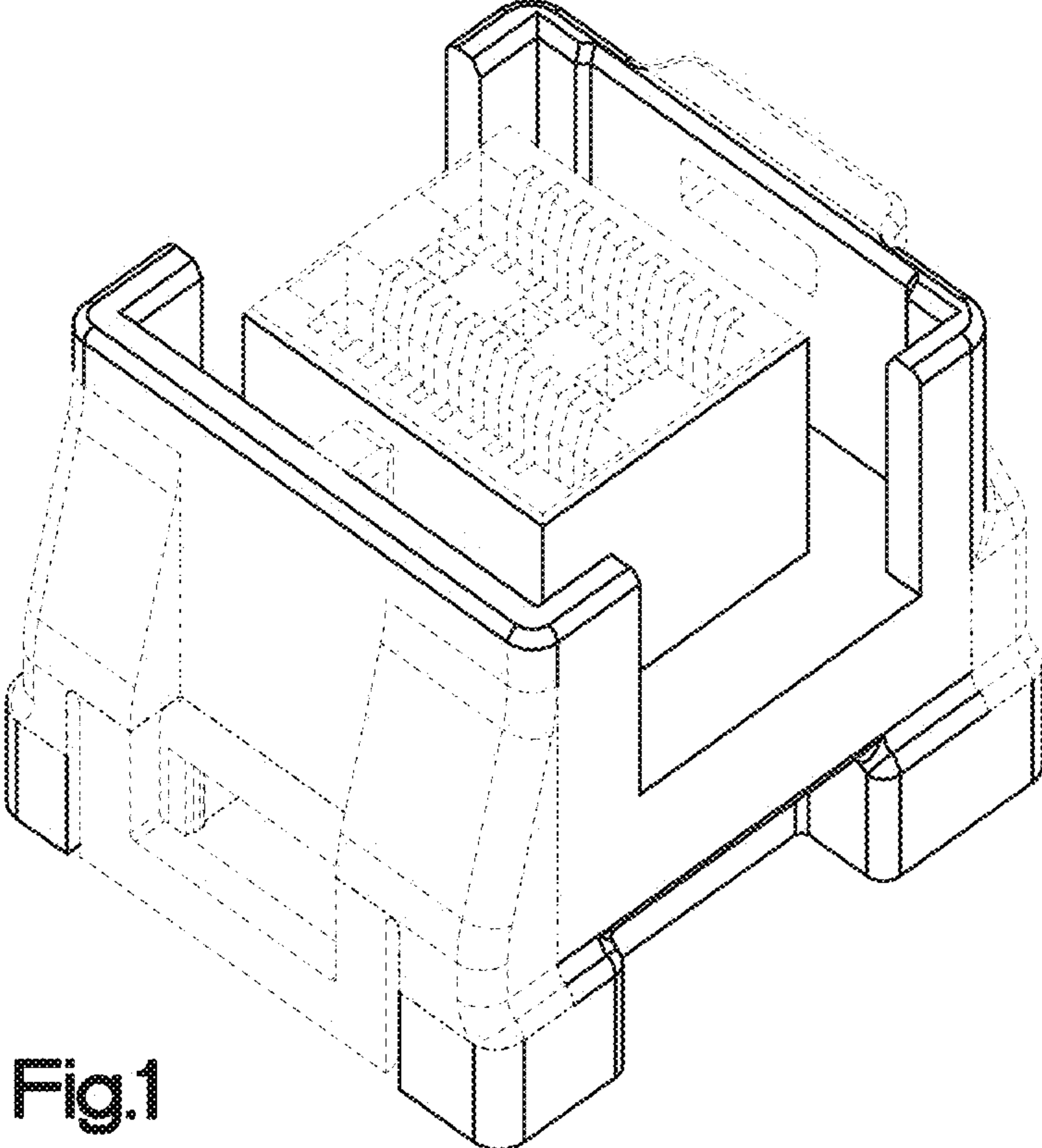


Fig.1

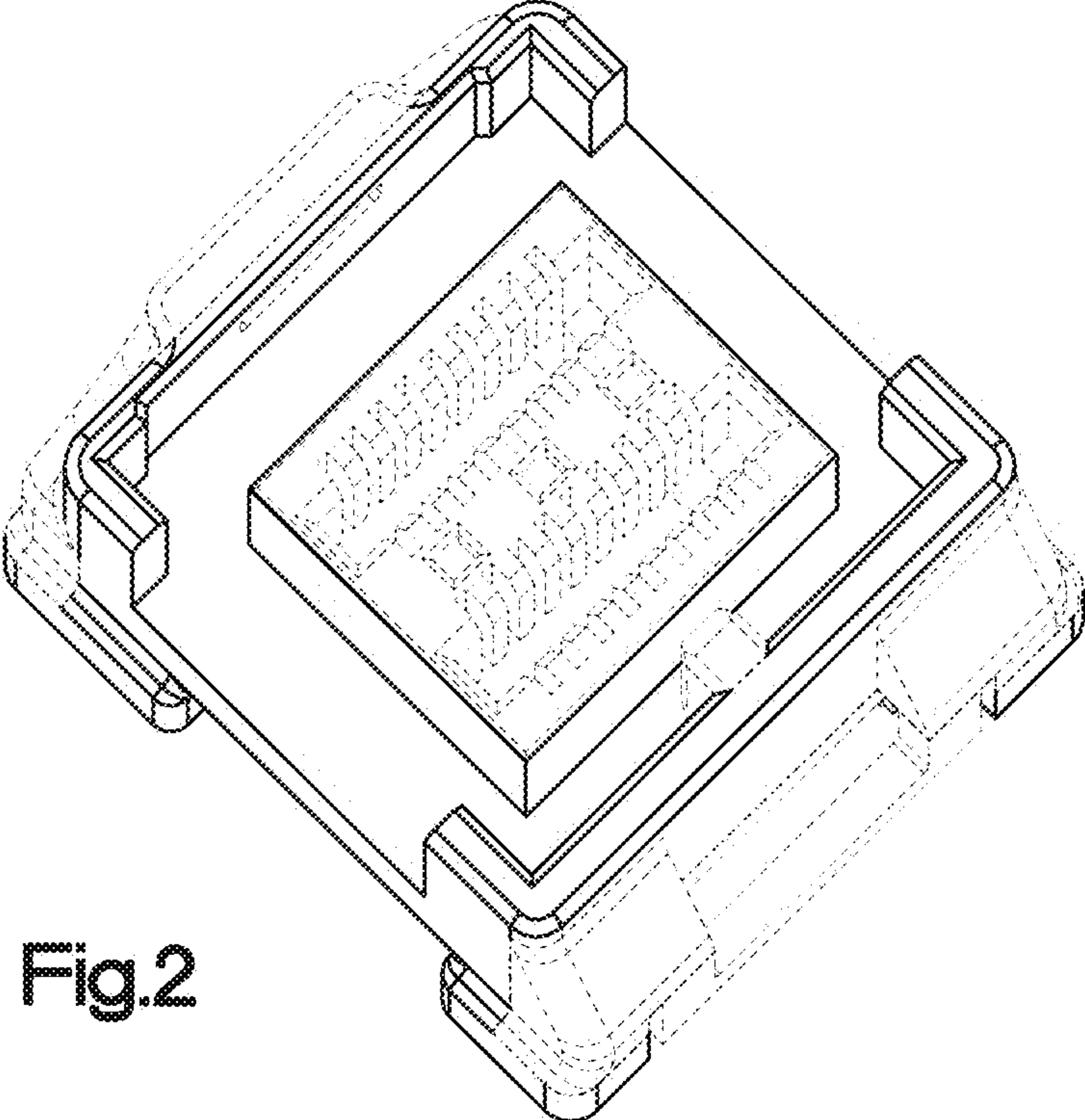


Fig.2

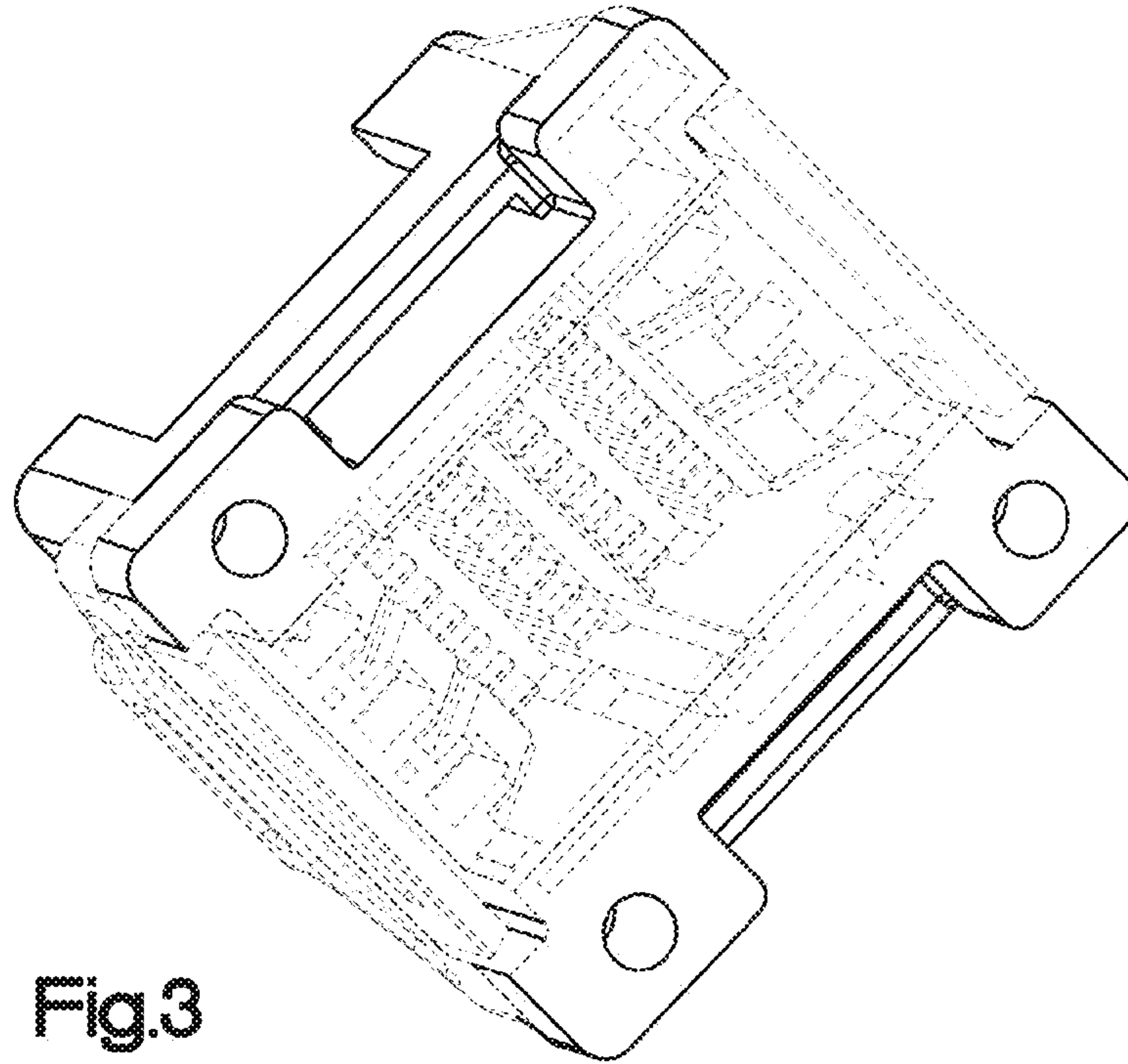


Fig.3

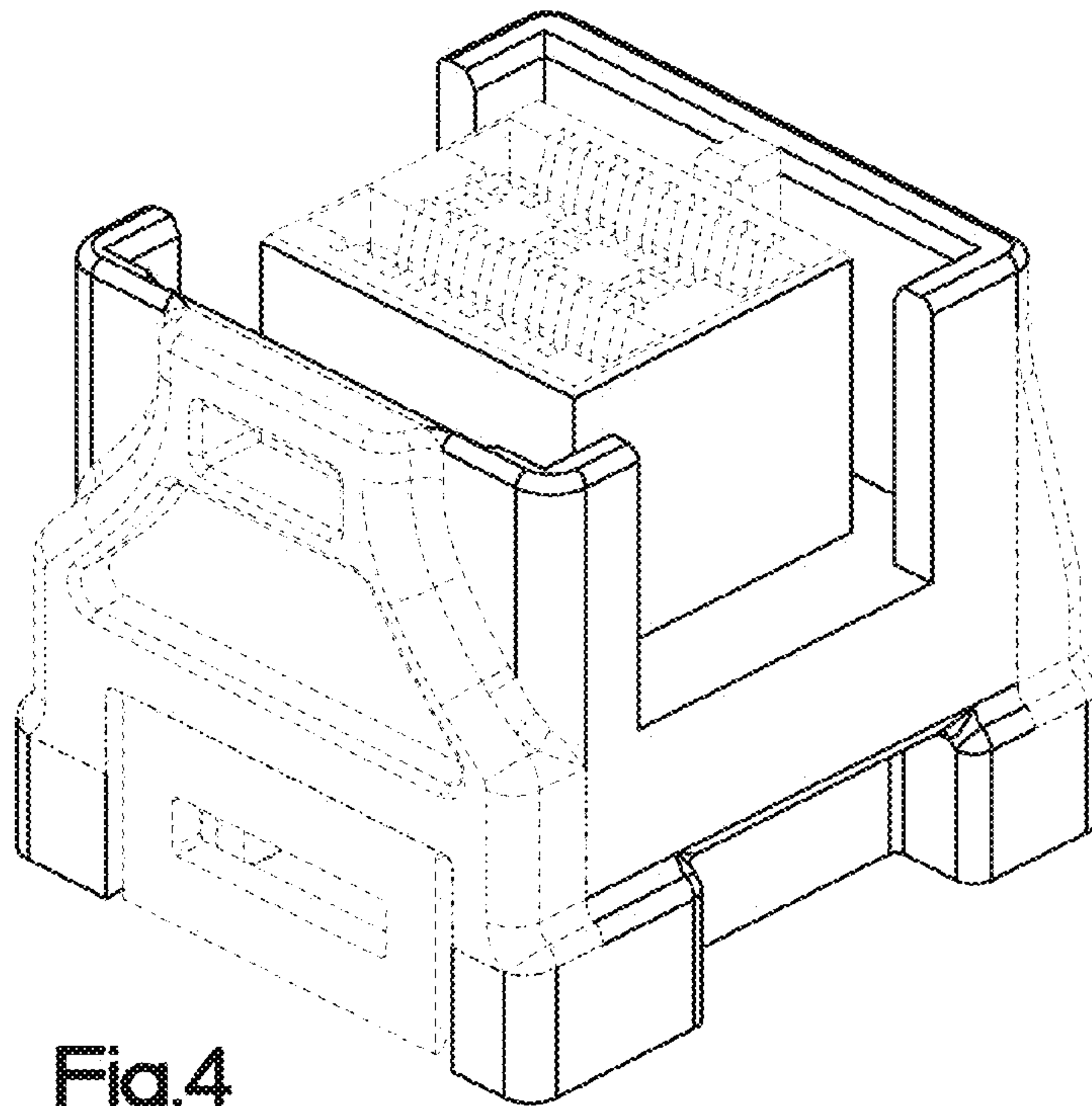


Fig.4

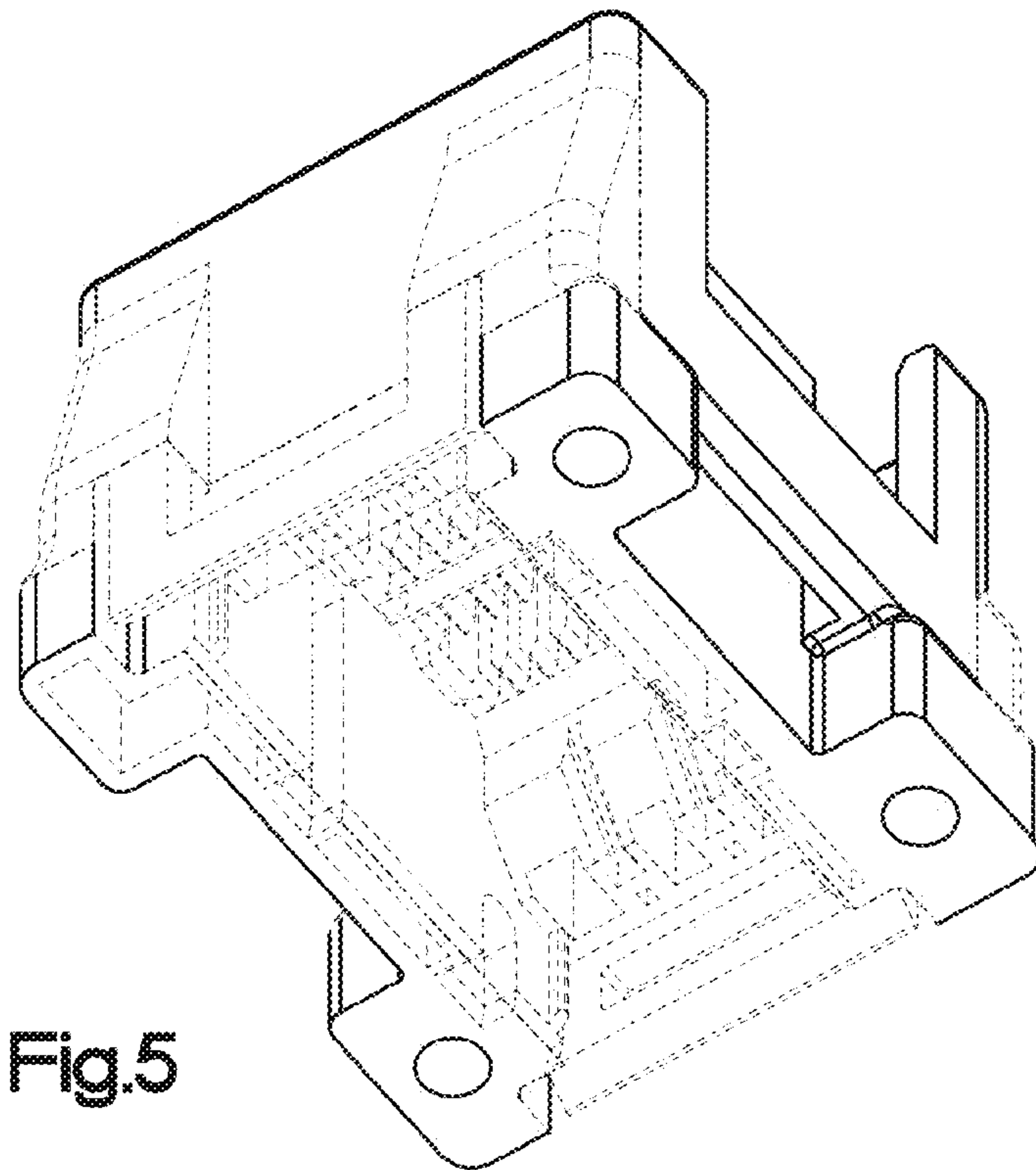


Fig.5

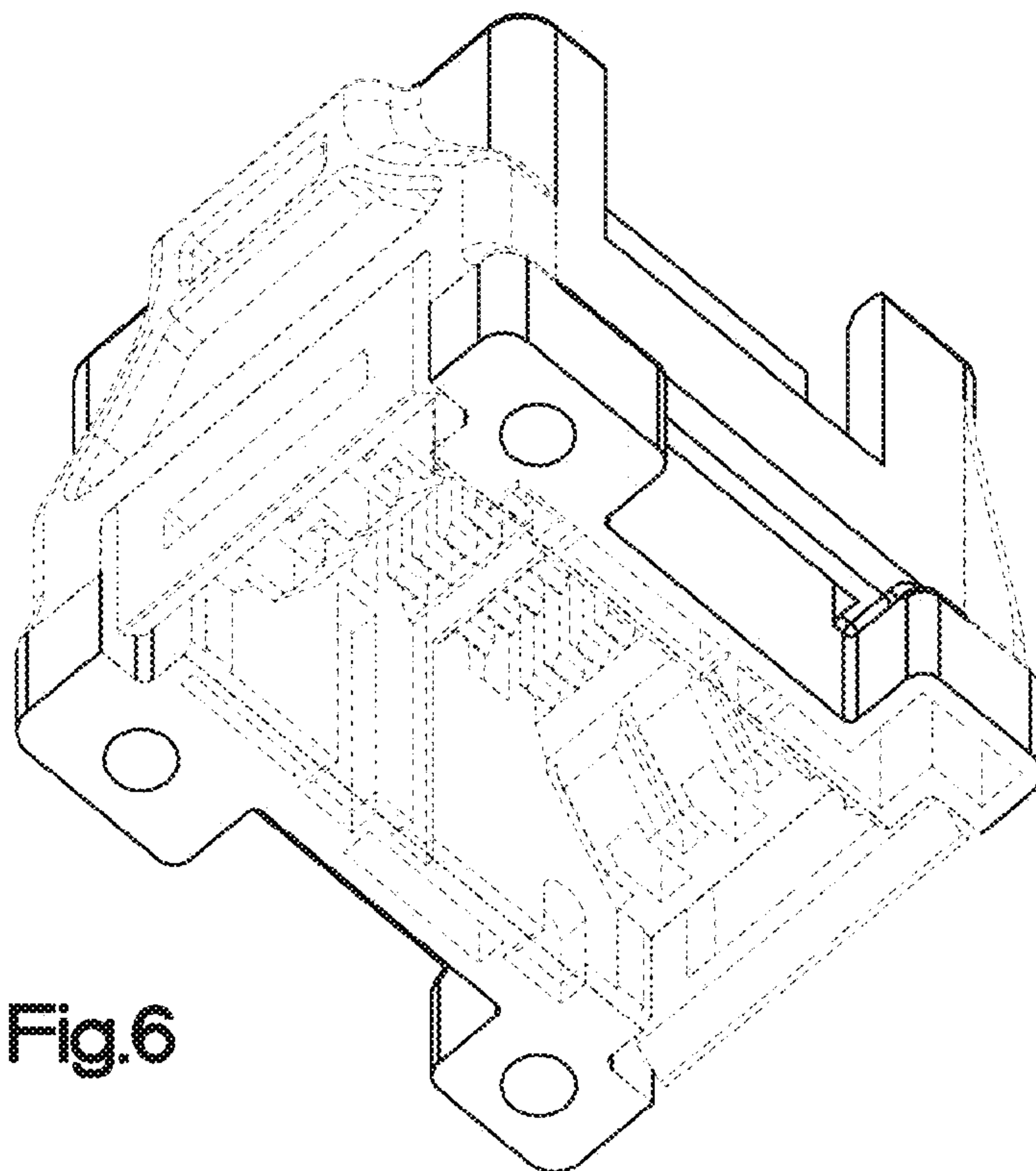


Fig.6

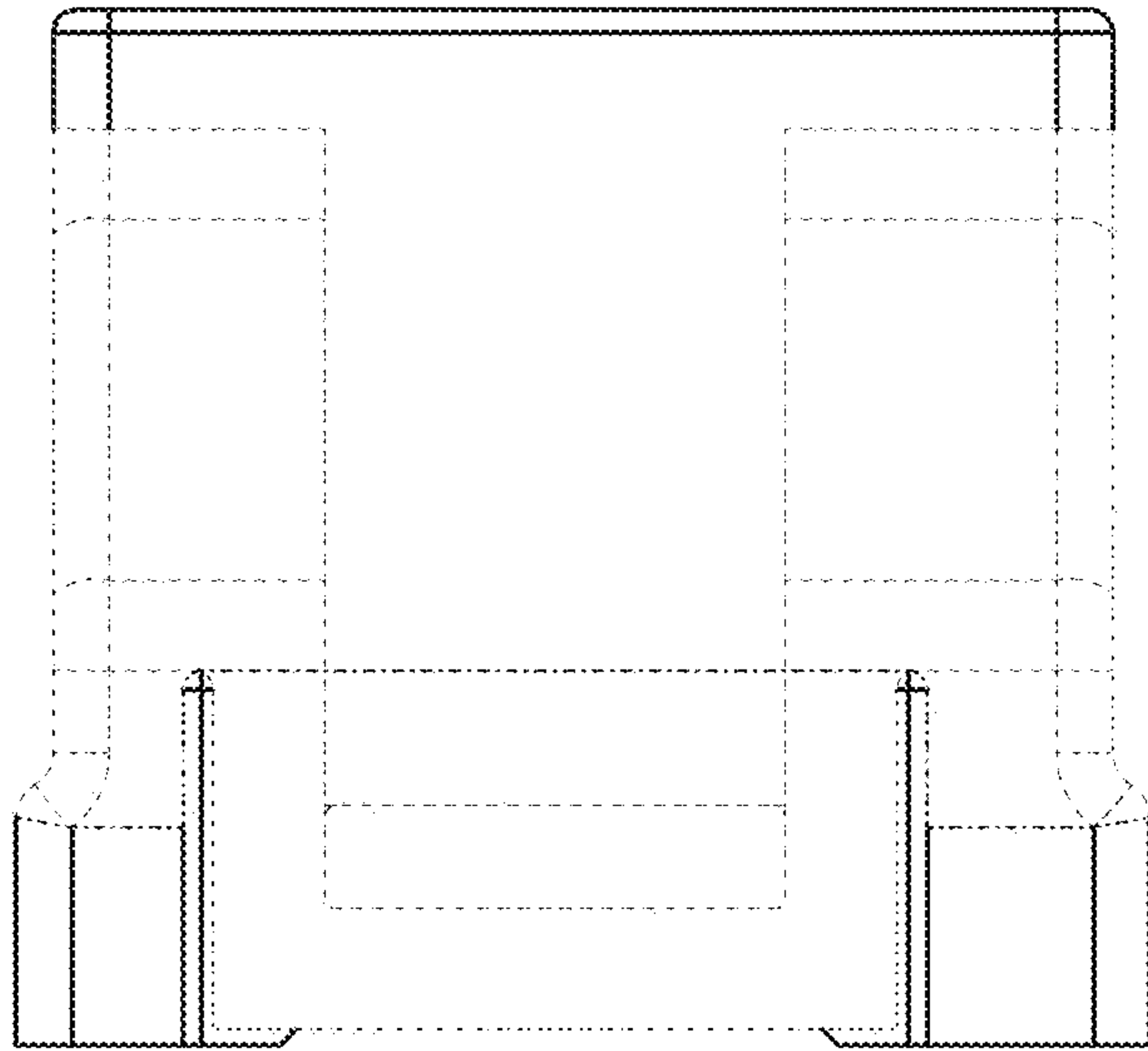


Fig.7

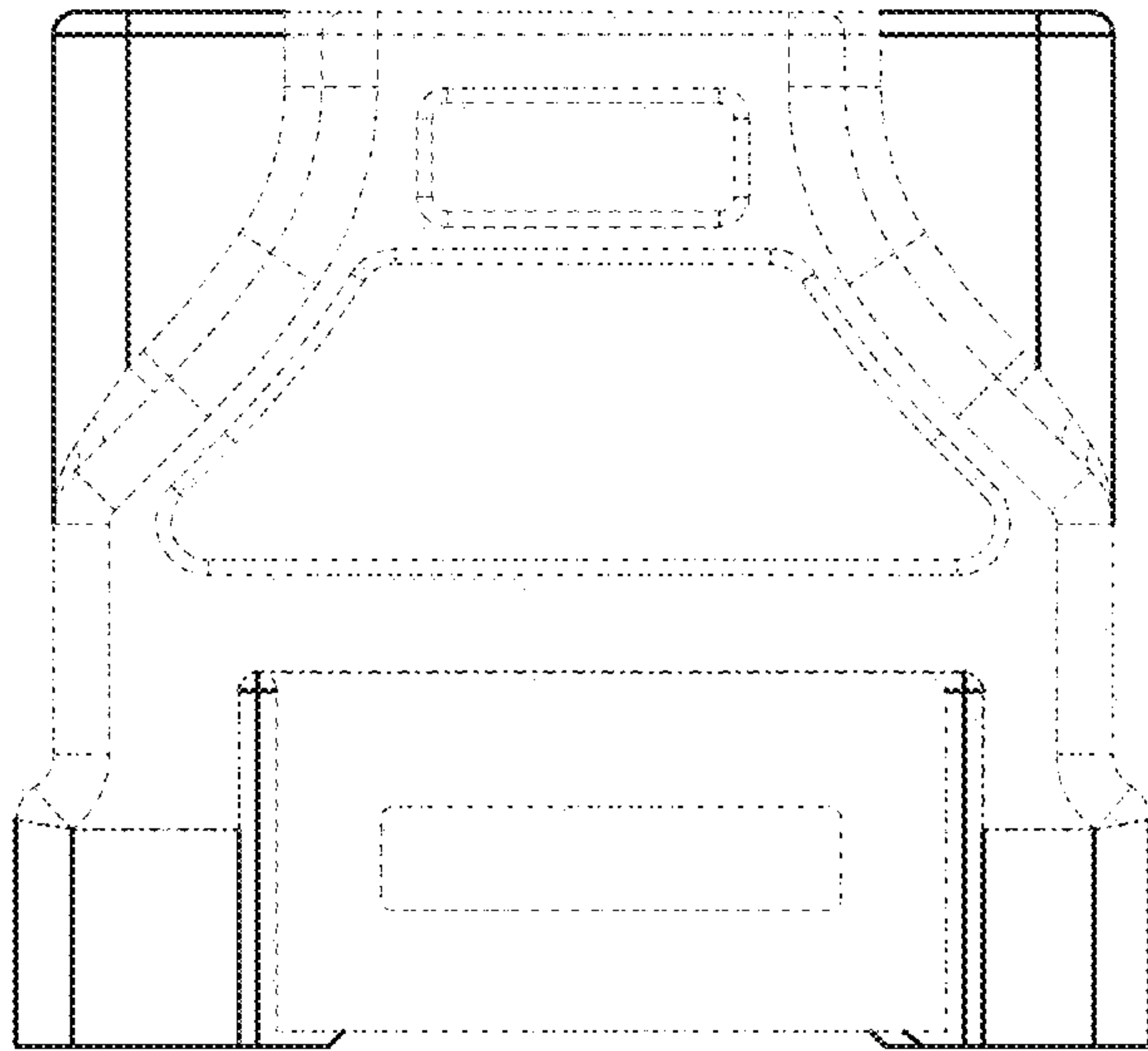


Fig.8

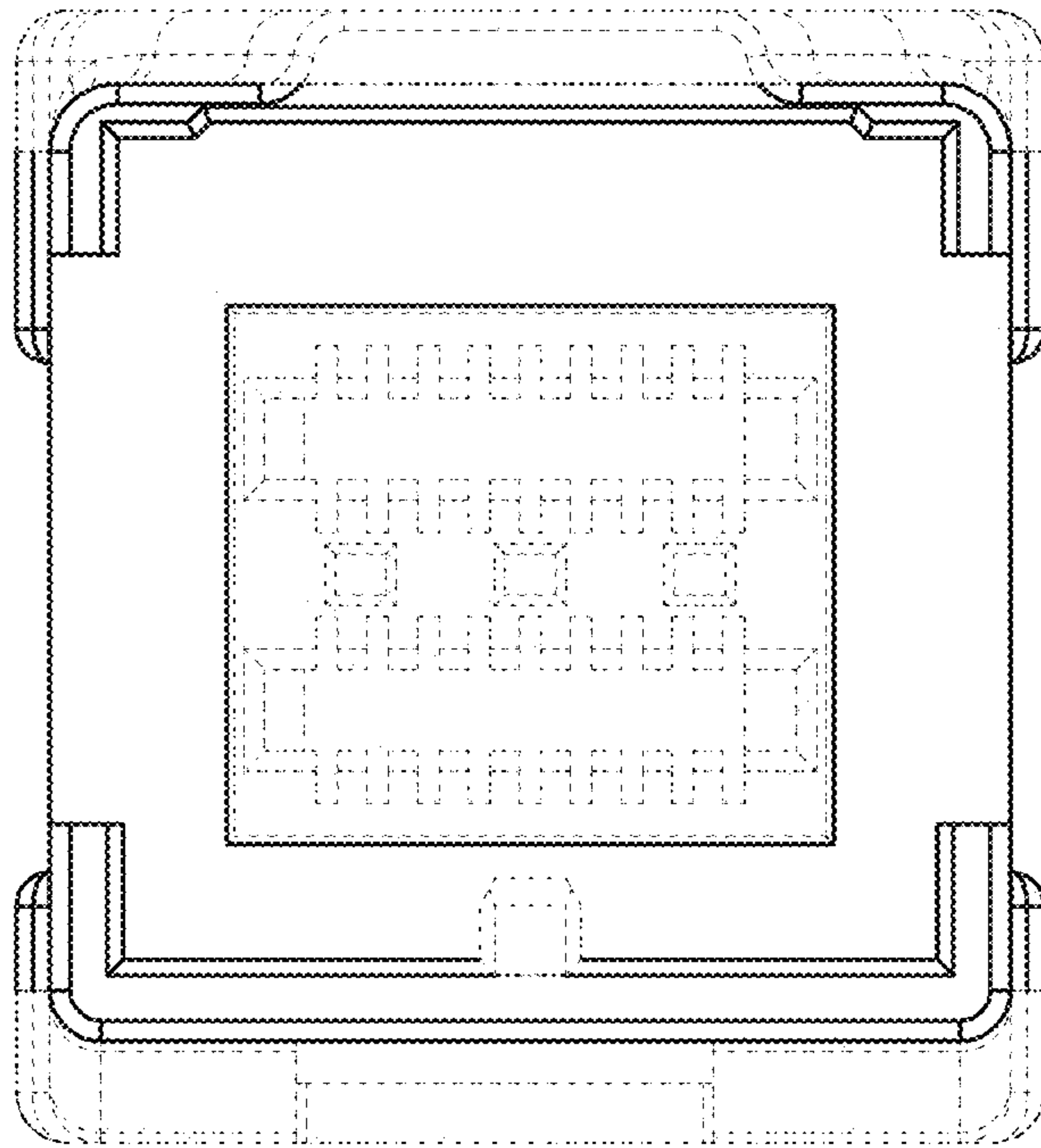


Fig.9

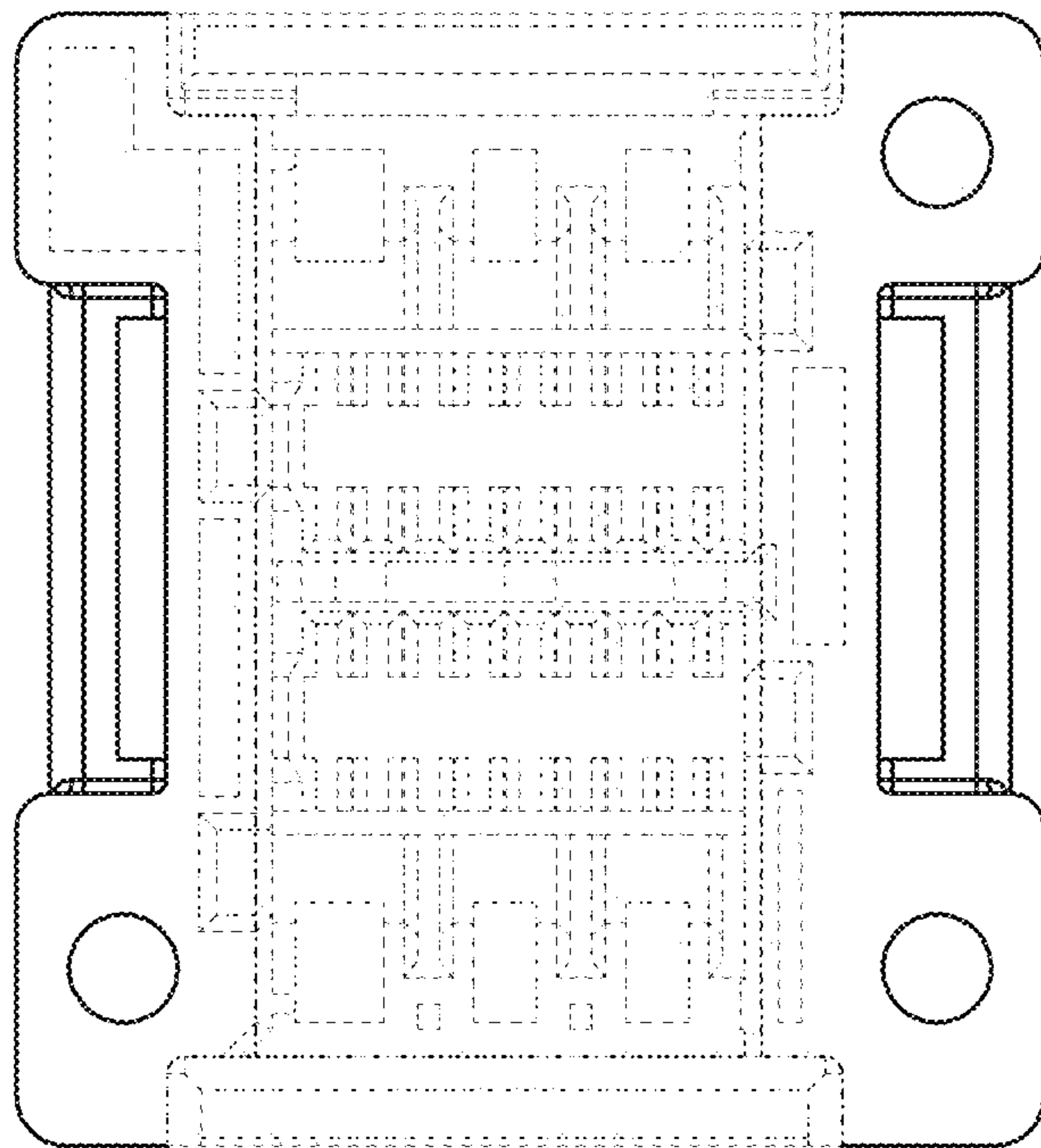


Fig.10

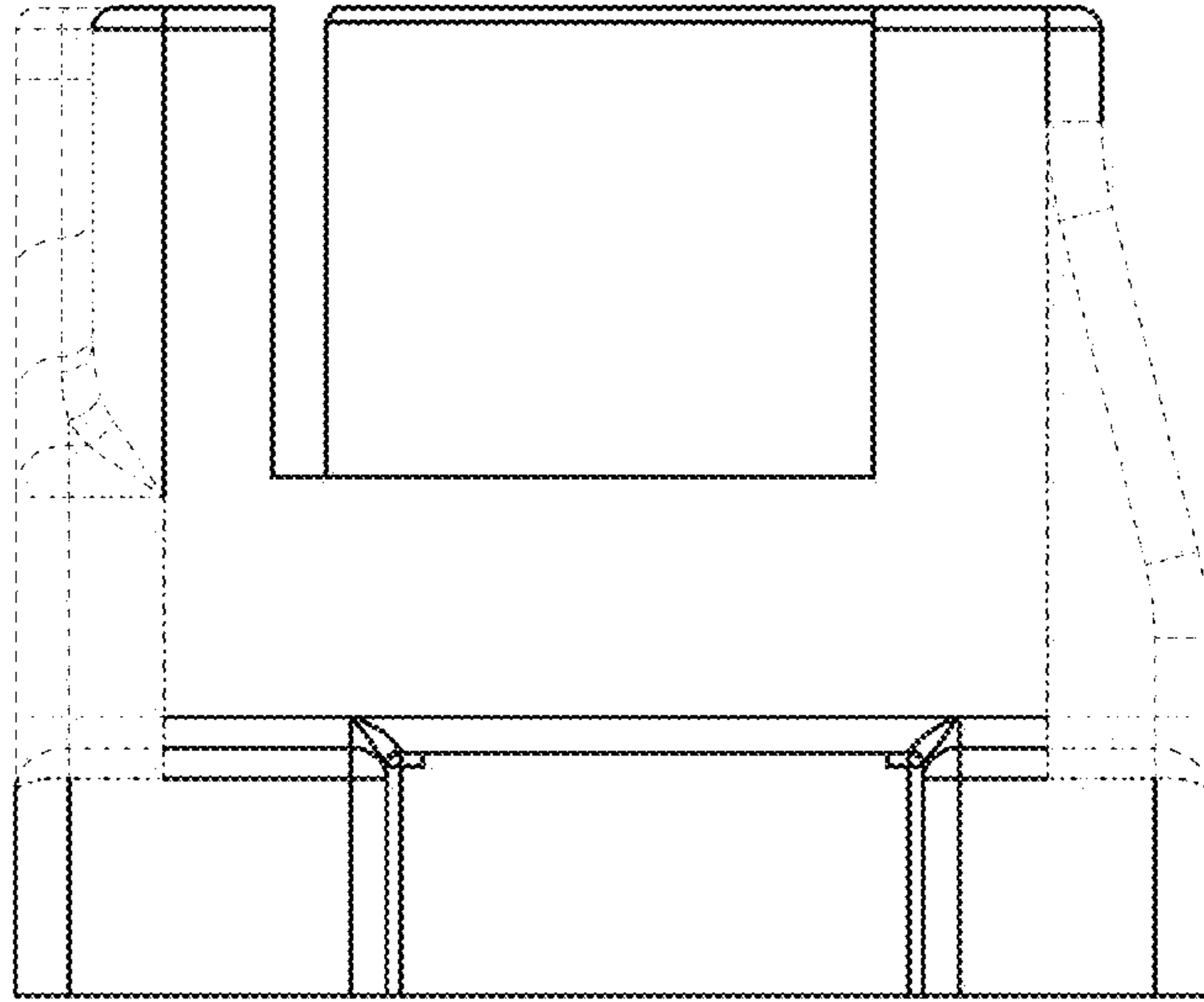


Fig.11

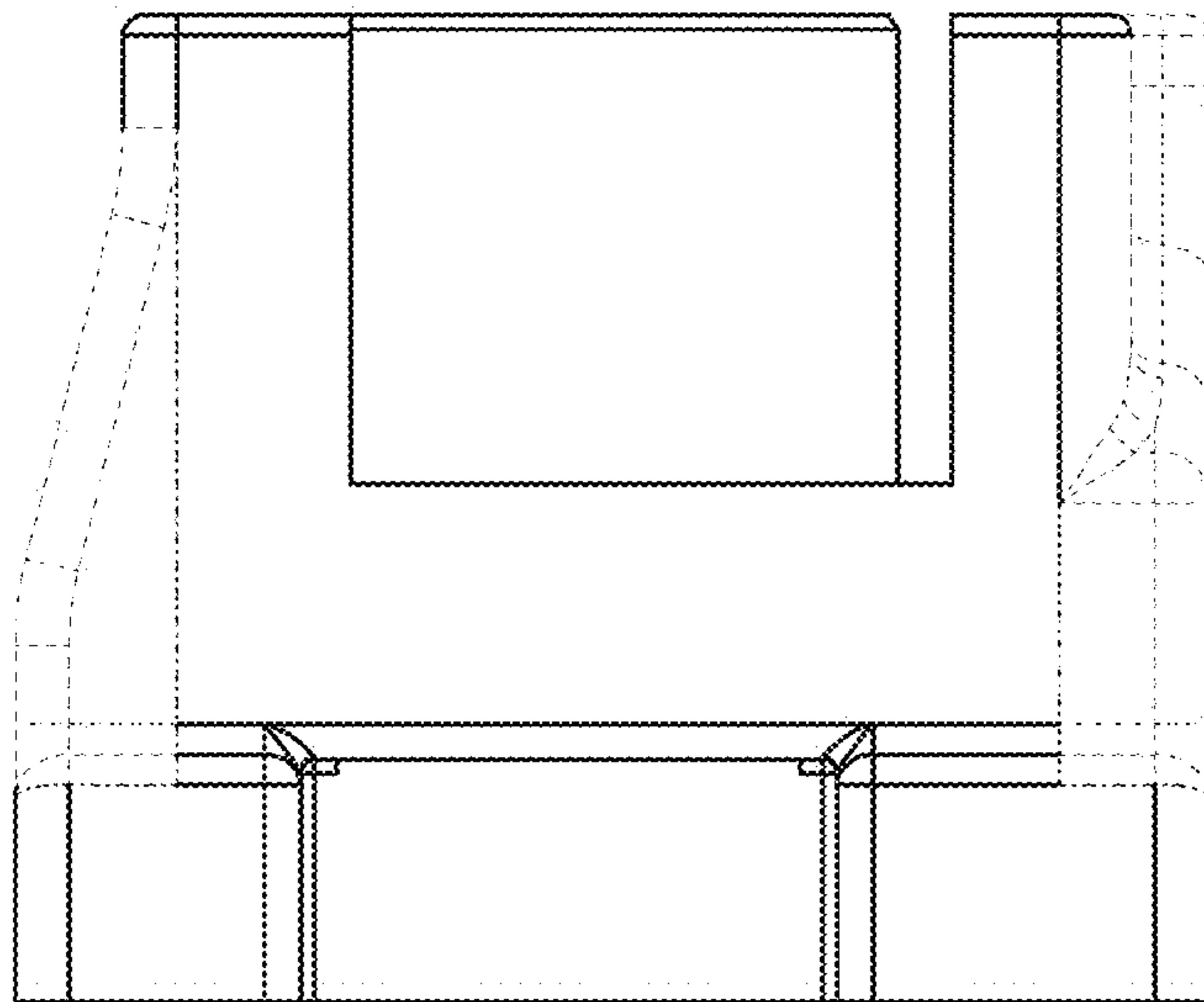


Fig.12