



US00D750024S

(12) **United States Design Patent**
Sasaki et al.

(10) **Patent No.:** **US D750,024 S**
(45) **Date of Patent:** **** Feb. 23, 2016**

(54) **ELECTRICAL CONNECTOR**

(71) Applicant: **Tyco Electronics Japan G.K.**,
Kanagawa (JP)

(72) Inventors: **Yoichi Sasaki**, Kanagawa (JP); **Makiya Kimura**, Kanagawa (JP)

(73) Assignee: **Tyco Electronics Japan G.K.**,
Kanagawa (JP)

(**) Term: **14 Years**

(21) Appl. No.: **29/501,954**

(22) Filed: **Sep. 10, 2014**

(30) **Foreign Application Priority Data**

Mar. 17, 2014 (JP) 2014-005539

(51) **LOC (10) Cl.** **13-03**

(52) **U.S. Cl.**
USPC **D13/147**

(58) **Field of Classification Search**
USPC D13/146, 147, 154, 184, 199
See application file for complete search history.

(56) **References Cited**

U.S. PATENT DOCUMENTS

D519,461 S * 4/2006 Su D13/147
D552,554 S * 10/2007 Lin D13/147
D570,784 S * 6/2008 Lin D13/147

D583,328 S * 12/2008 Chiang D13/147
D595,657 S * 7/2009 Liu D13/147
D598,391 S * 8/2009 Yu D13/147
D698,735 S * 2/2014 Sasada D13/147

FOREIGN PATENT DOCUMENTS

JP 949435 S 3/1996
JP 985276 A 9/1997
JP 1023008 S 10/1998
JP D1484905 S 11/2013

* cited by examiner

Primary Examiner — Daniel Bui

(74) *Attorney, Agent, or Firm* — Barley Snyder

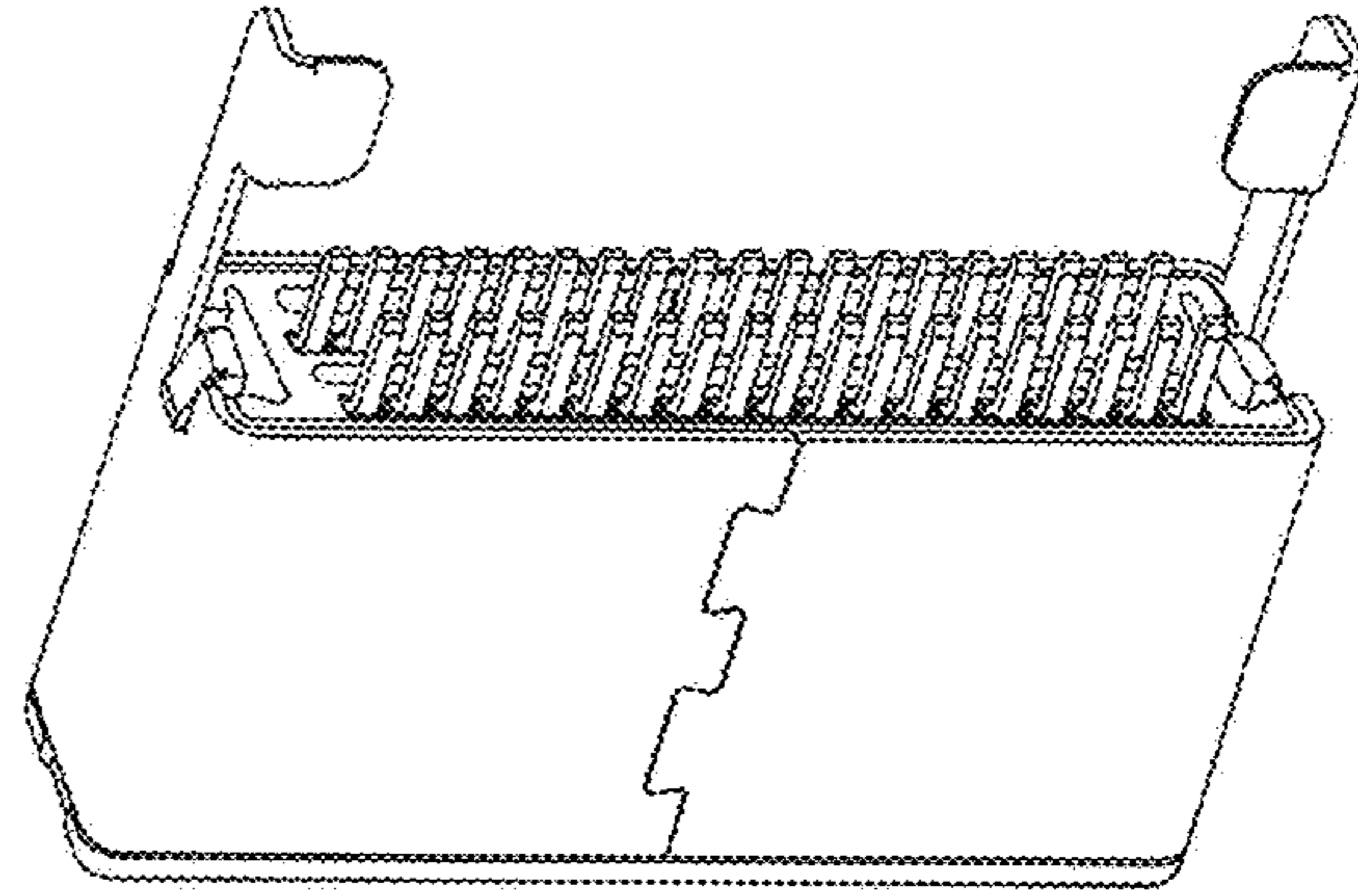
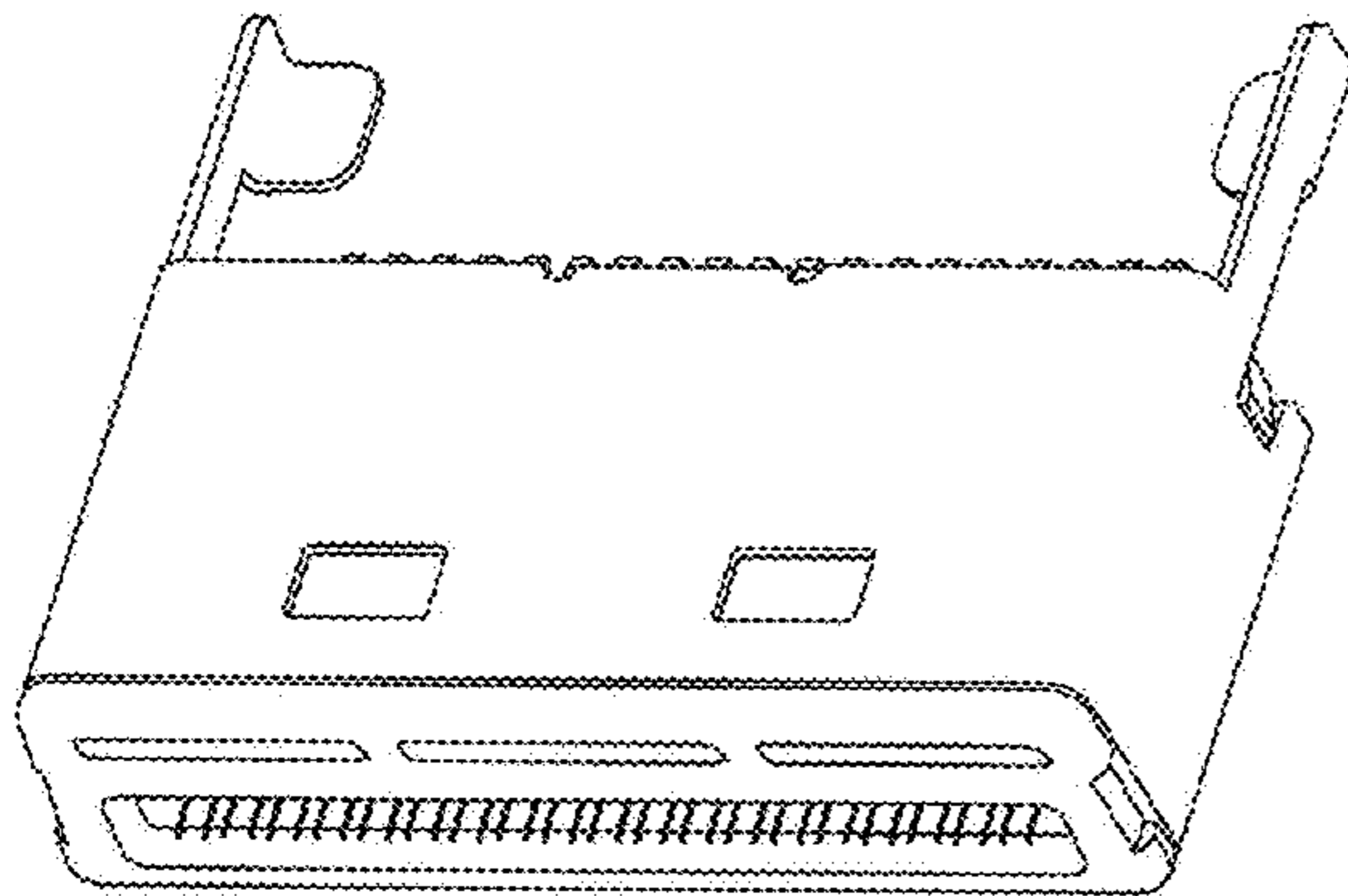
(57) **CLAIM**

The ornamental design for an electrical connector, as shown and described.

DESCRIPTION

FIG. 1 is a front elevation view of an electrical connector, showing our new design;
FIG. 2 is a top plan view thereof;
FIG. 3 is a rear elevation view thereof;
FIG. 4 is a bottom plan view thereof;
FIG. 5 is a left side elevation view thereof;
FIG. 6 is a right side elevation view thereof;
FIG. 7 is a front, top and right side perspective view thereof;
FIG. 8 is a front, bottom, and left side perspective view thereof; and,
FIG. 9 is a rear, bottom, and right side perspective view.

1 Claim, 9 Drawing Sheets



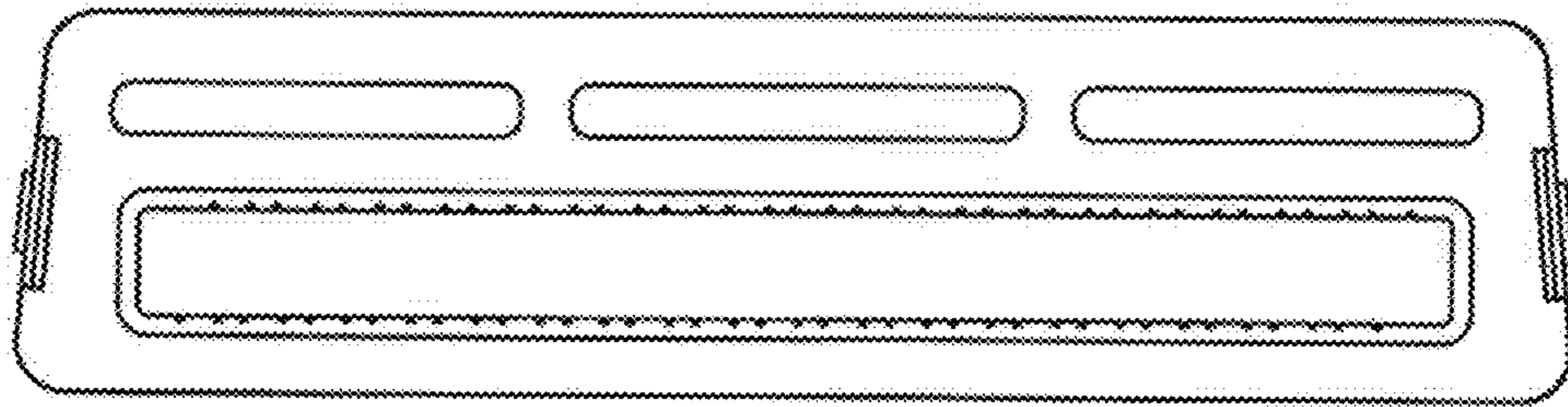


FIG. 1

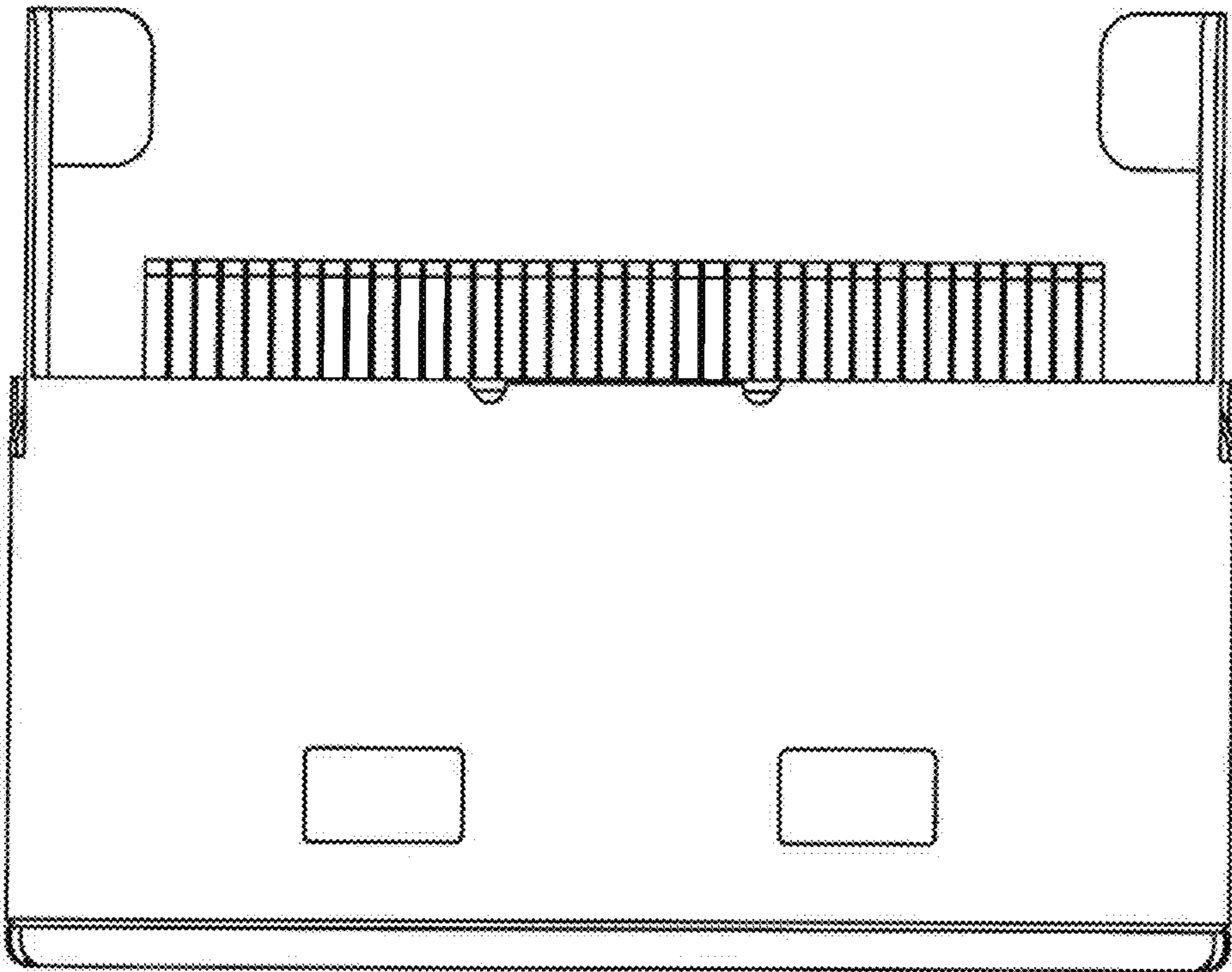


FIG. 2

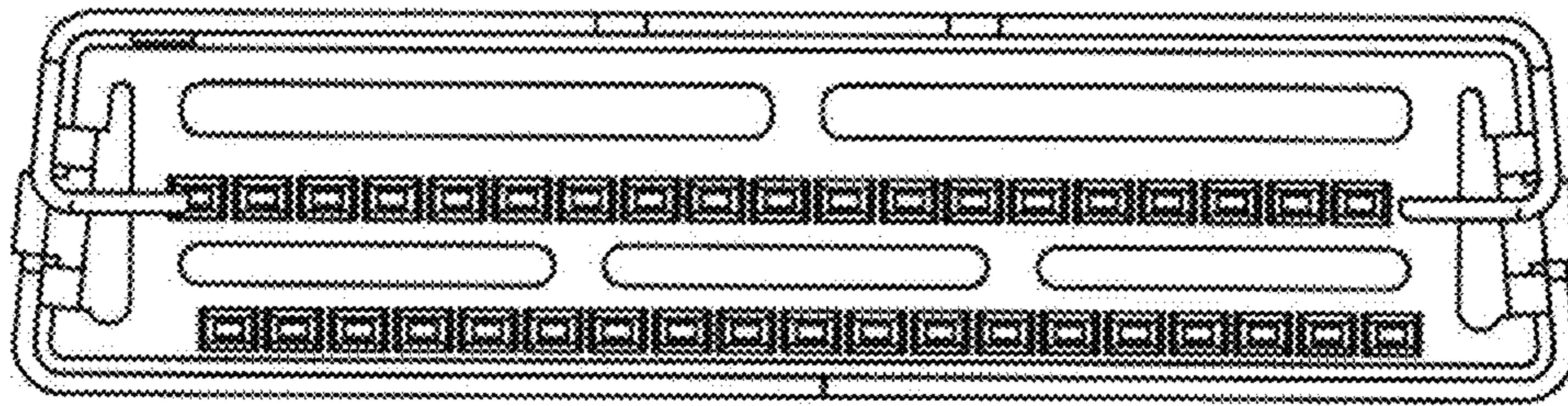


FIG. 3

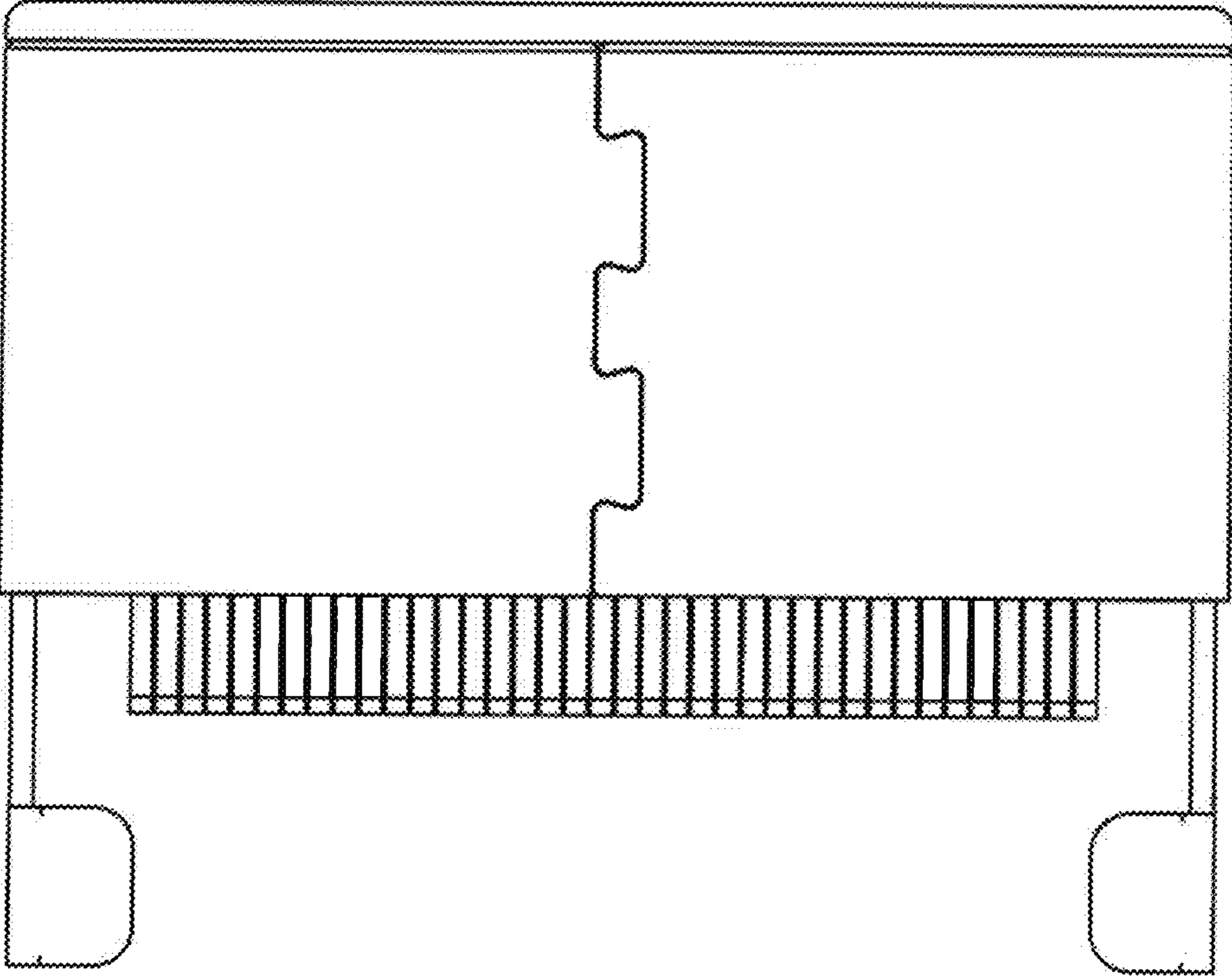


FIG. 4

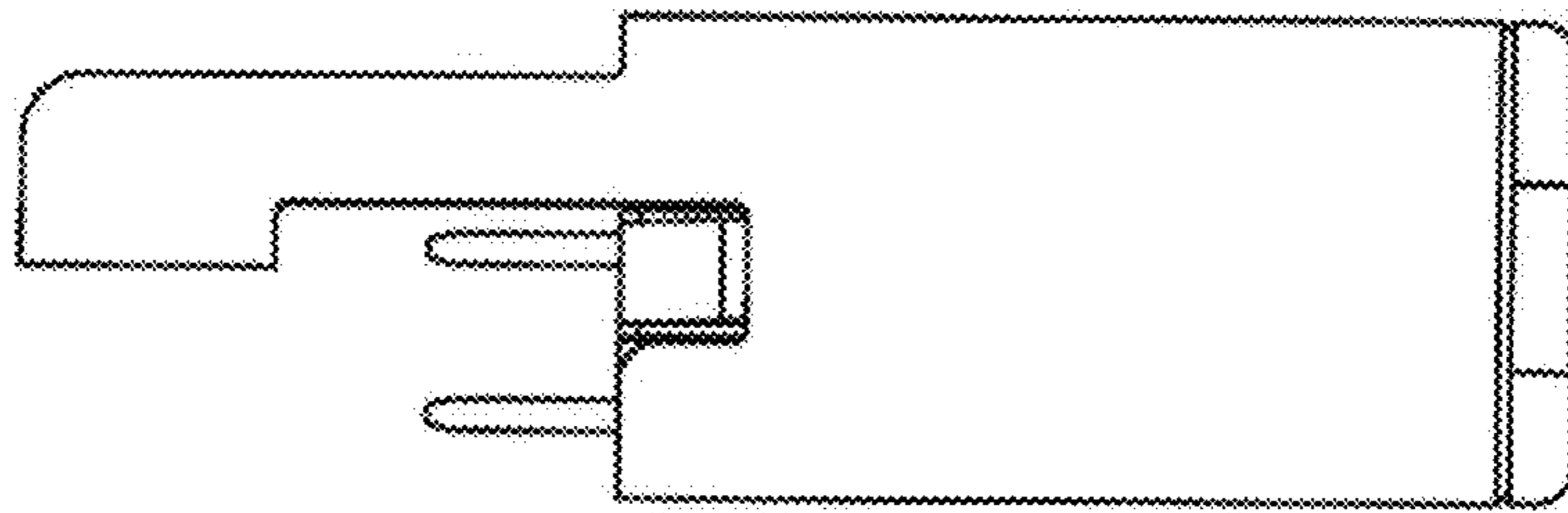


FIG. 5

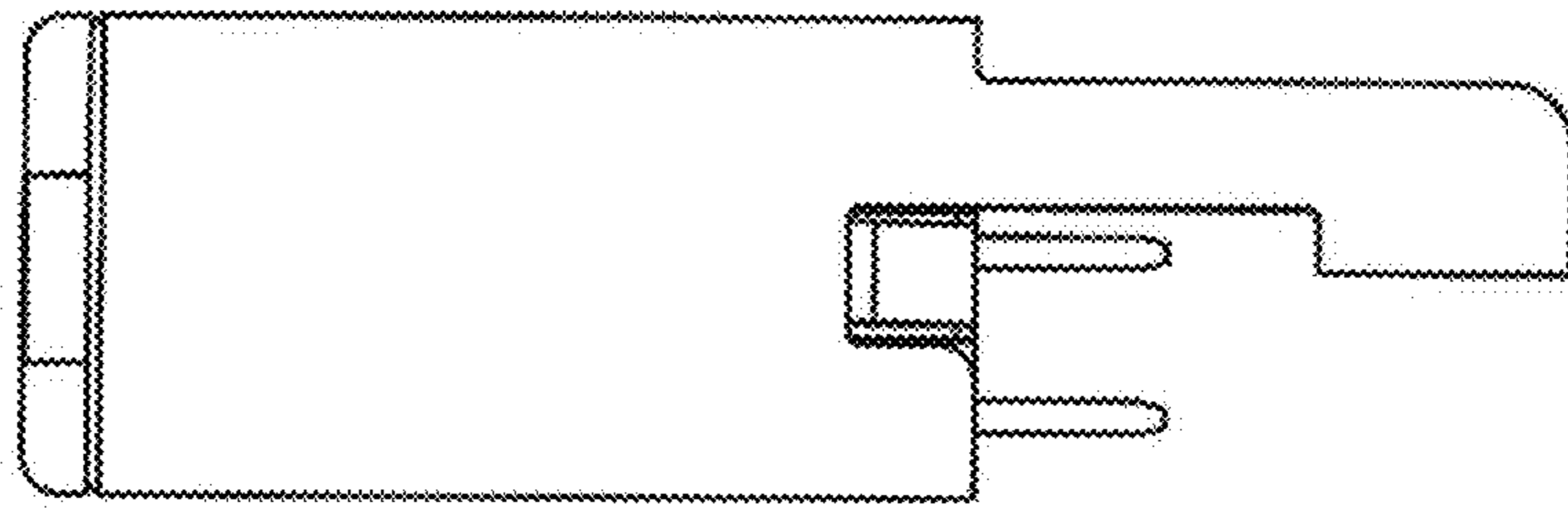


FIG. 6

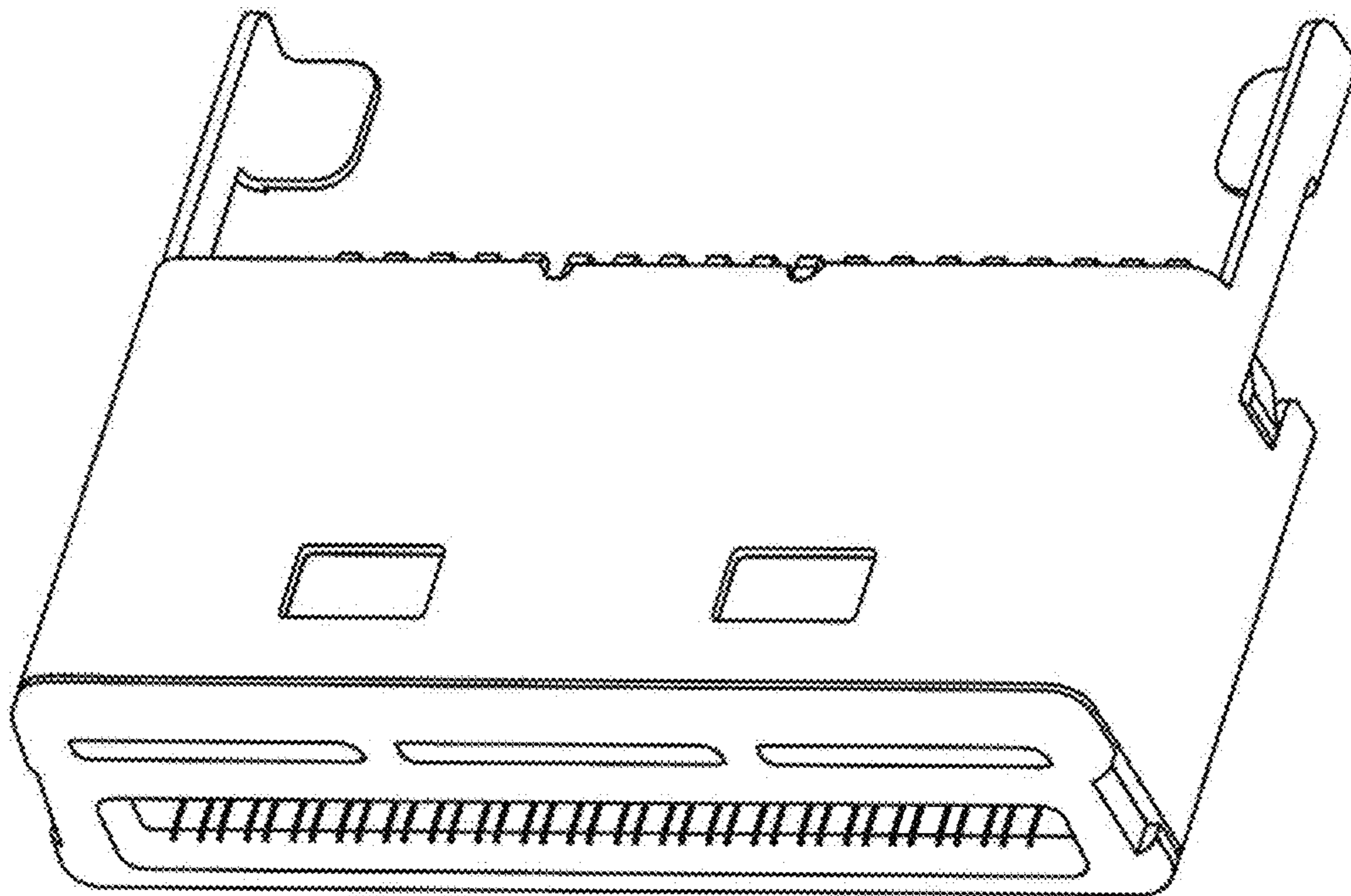


FIG. 7

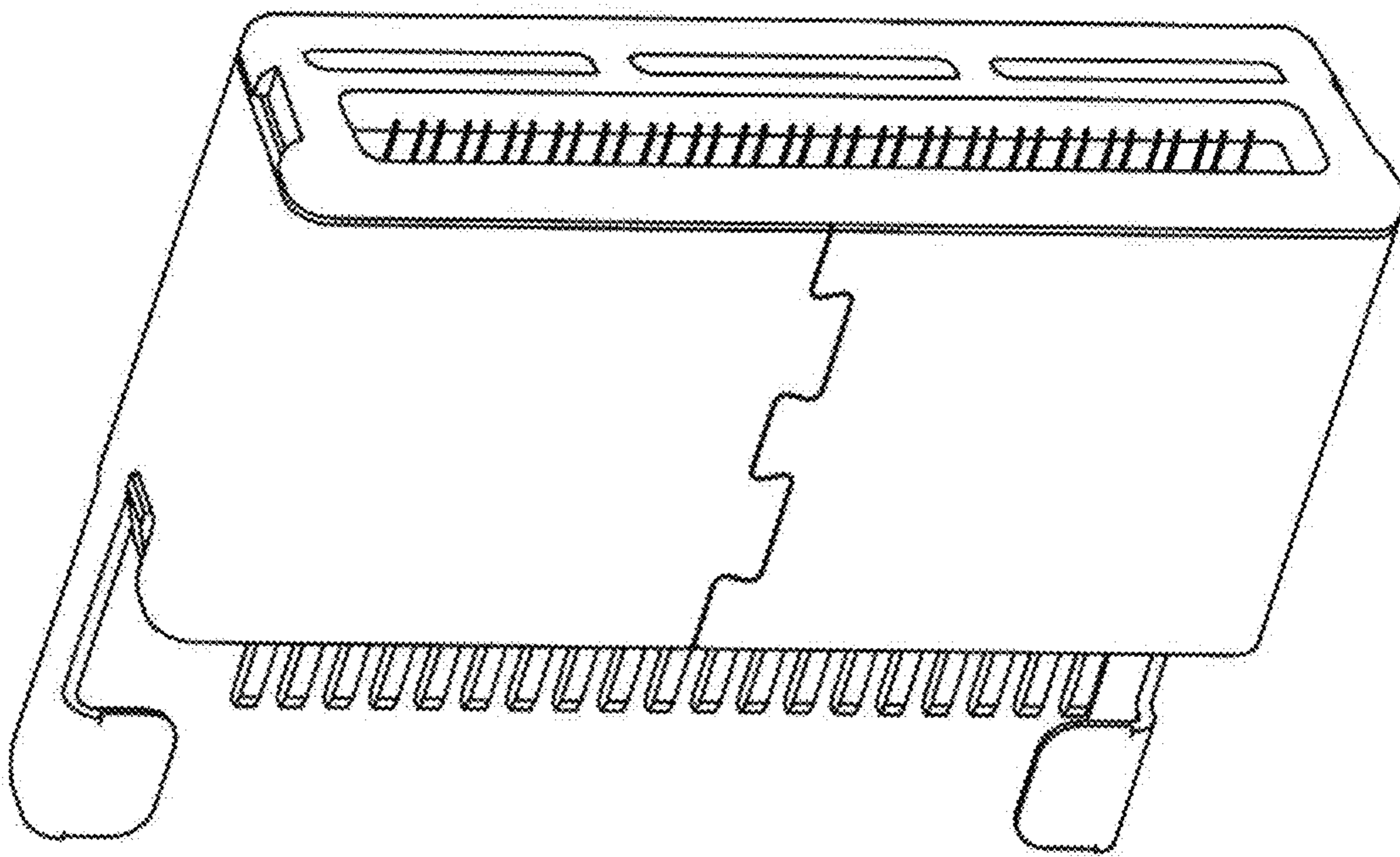


FIG. 8

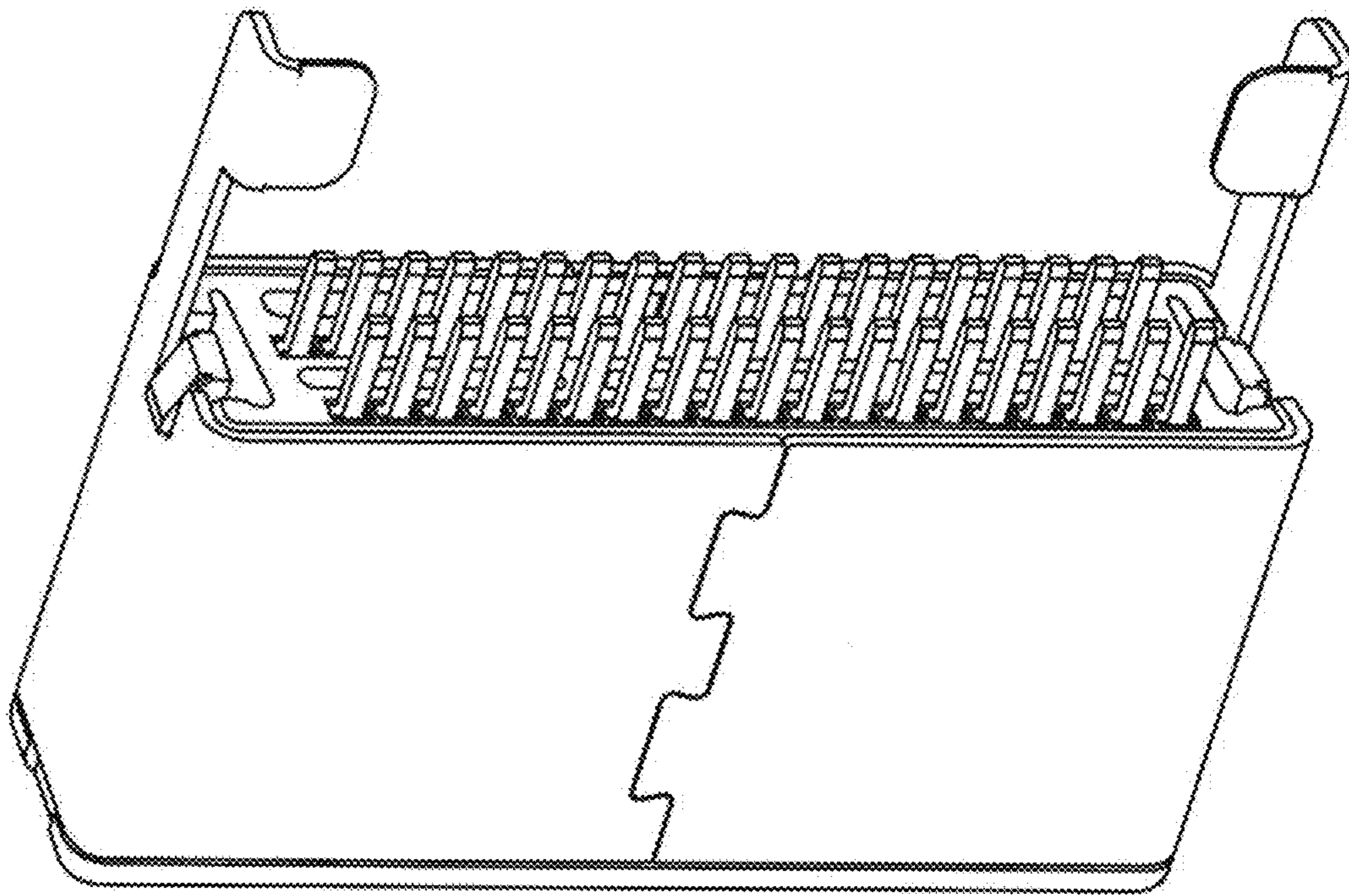


FIG. 9