



US00D750023S

(12) **United States Design Patent**
Sasano

(10) **Patent No.:** **US D750,023 S**

(45) **Date of Patent:** **** Feb. 23, 2016**

(54) **TERMINAL BLOCK**

(71) Applicant: **OMRON Corporation**, Kyoto-shi,
Kyoto (JP)

(72) Inventor: **Naoya Sasano**, Hachioji (JP)

(73) Assignee: **OMRON CORPORATION**, Kyoto (JP)

(**) Term: **14 Years**

(21) Appl. No.: **29/512,538**

(22) Filed: **Dec. 19, 2014**

(30) **Foreign Application Priority Data**

Jun. 20, 2014 (JP) 2014-013529

(51) **LOC (10) Cl.** **13-03**

(52) **U.S. Cl.**
USPC **D13/146**

(58) **Field of Classification Search**
USPC D13/110, 118, 123, 133, 146, 147, 149,
D13/152, 153, 158-161, 173, 184, 199
CPC H01R 4/24; H01R 9/026; H01R 9/24;
H01R 13/627; H01R 13/15; H01R 13/52;
H01R 43/20; H01R 13/02; H01R 24/00;
H02B 1/04

See application file for complete search history.

(56) **References Cited**

U.S. PATENT DOCUMENTS

5,157,577 A * 10/1992 Balaud H02B 1/066
200/43.22
D618,619 S * 6/2010 Walter D13/147
D625,270 S * 10/2010 Schafmeister D13/147
D631,015 S * 1/2011 Iijima D13/147

D641,325 S * 7/2011 Detemple D13/159
D641,326 S * 7/2011 Detemple D13/159
D673,508 S * 1/2013 Morishita D13/159
D696,208 S * 12/2013 Ling D13/159
D699,688 S * 2/2014 Ling D13/159
D737,765 S * 9/2015 Sekine D13/110
D739,822 S * 9/2015 Severing D13/146
2009/0269985 A1 * 10/2009 Stadler H01B 9/2458
439/629

* cited by examiner

Primary Examiner — Thomas Johannes

Assistant Examiner — Shawn T Gingrich

(74) *Attorney, Agent, or Firm* — Harness, Dickey & Pierce,
P.L.C.

(57) **CLAIM**

The ornamental design for a terminal block, as shown and described.

DESCRIPTION

FIG. 1 is a top, front and left side perspective view of a terminal block;

FIG. 2 is a top, front and right side perspective view thereof;

FIG. 3 is a bottom, front and left side perspective view thereof;

FIG. 4 is a front elevational view thereof;

FIG. 5 is a rear elevational view thereof;

FIG. 6 is a left side view thereof;

FIG. 7 is a right side view thereof;

FIG. 8 is a top plan view thereof; and,

FIG. 9 is a bottom plan view thereof.

The broken line portion of the figure drawings is included to show portions of the article that forms no part of the claimed design.

1 Claim, 3 Drawing Sheets

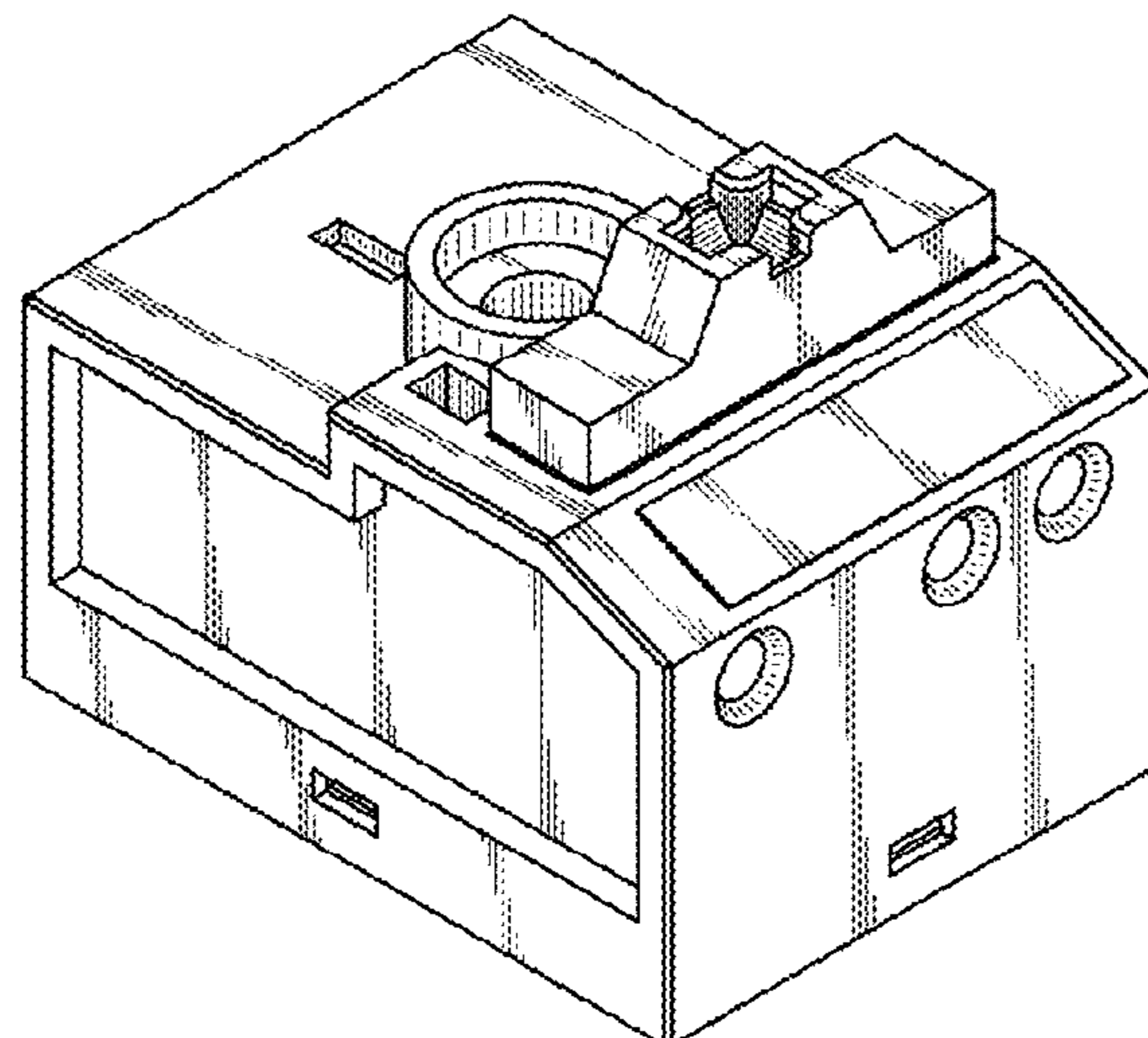


Fig. 1

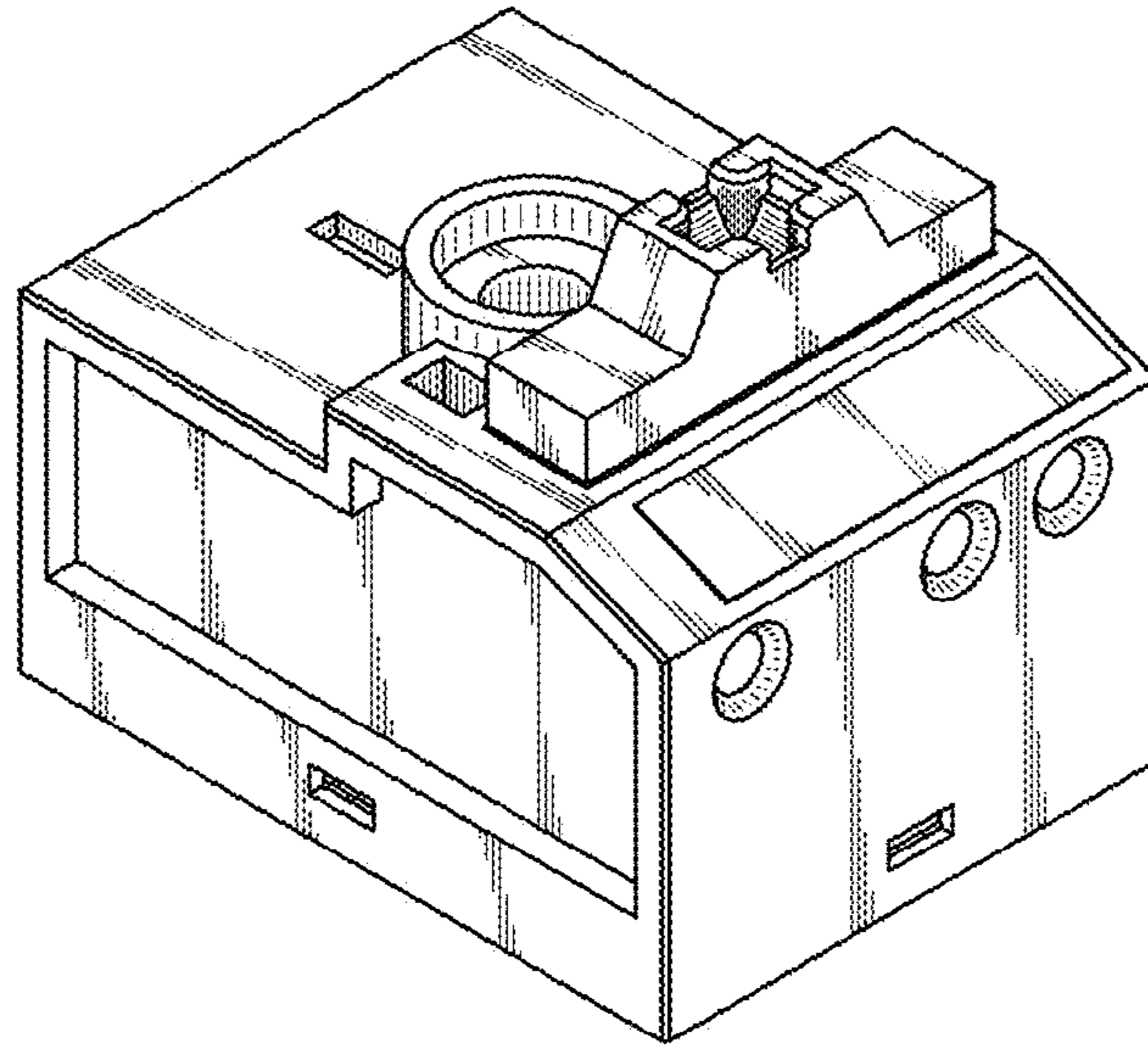


Fig. 2

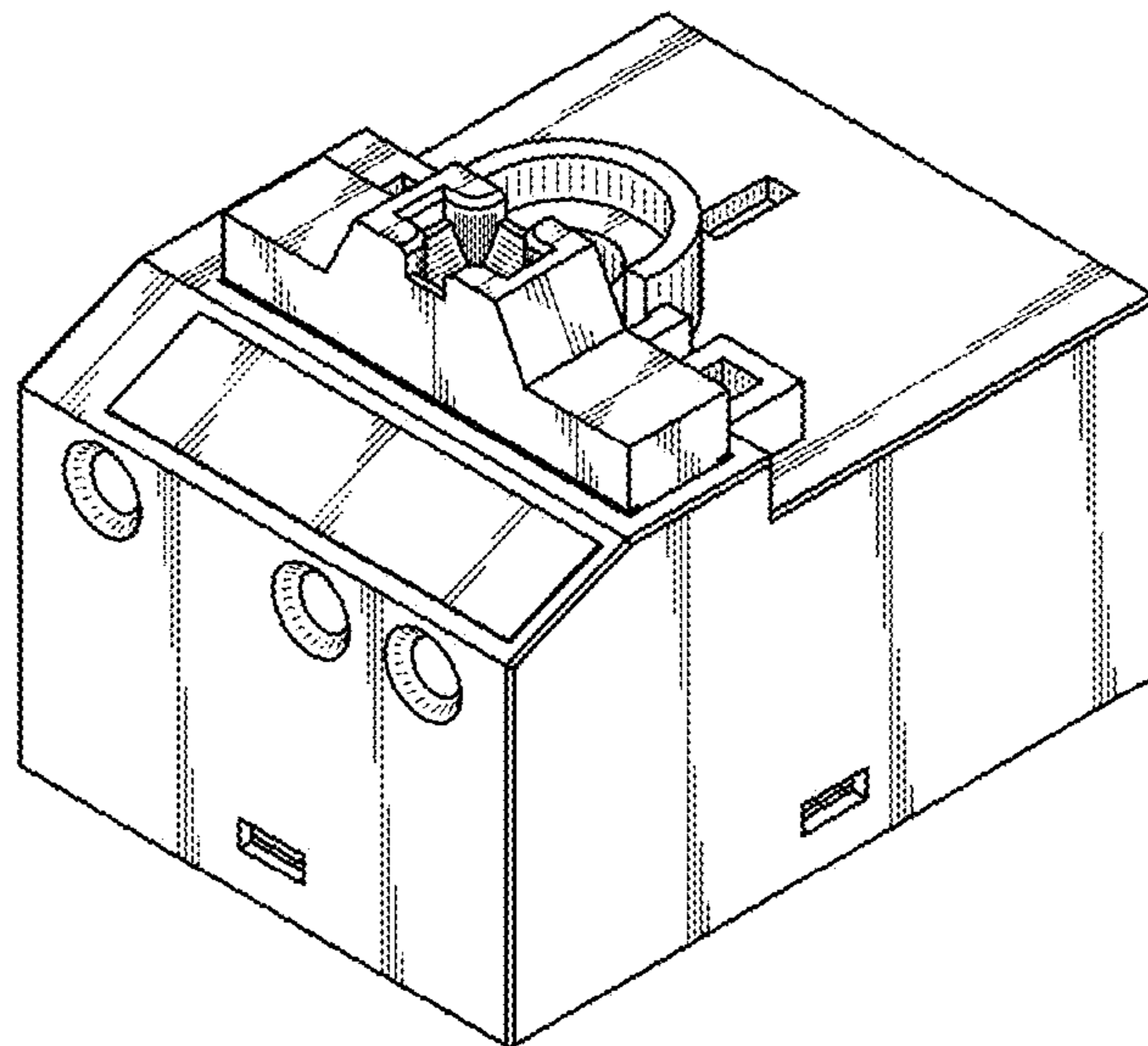


Fig. 3

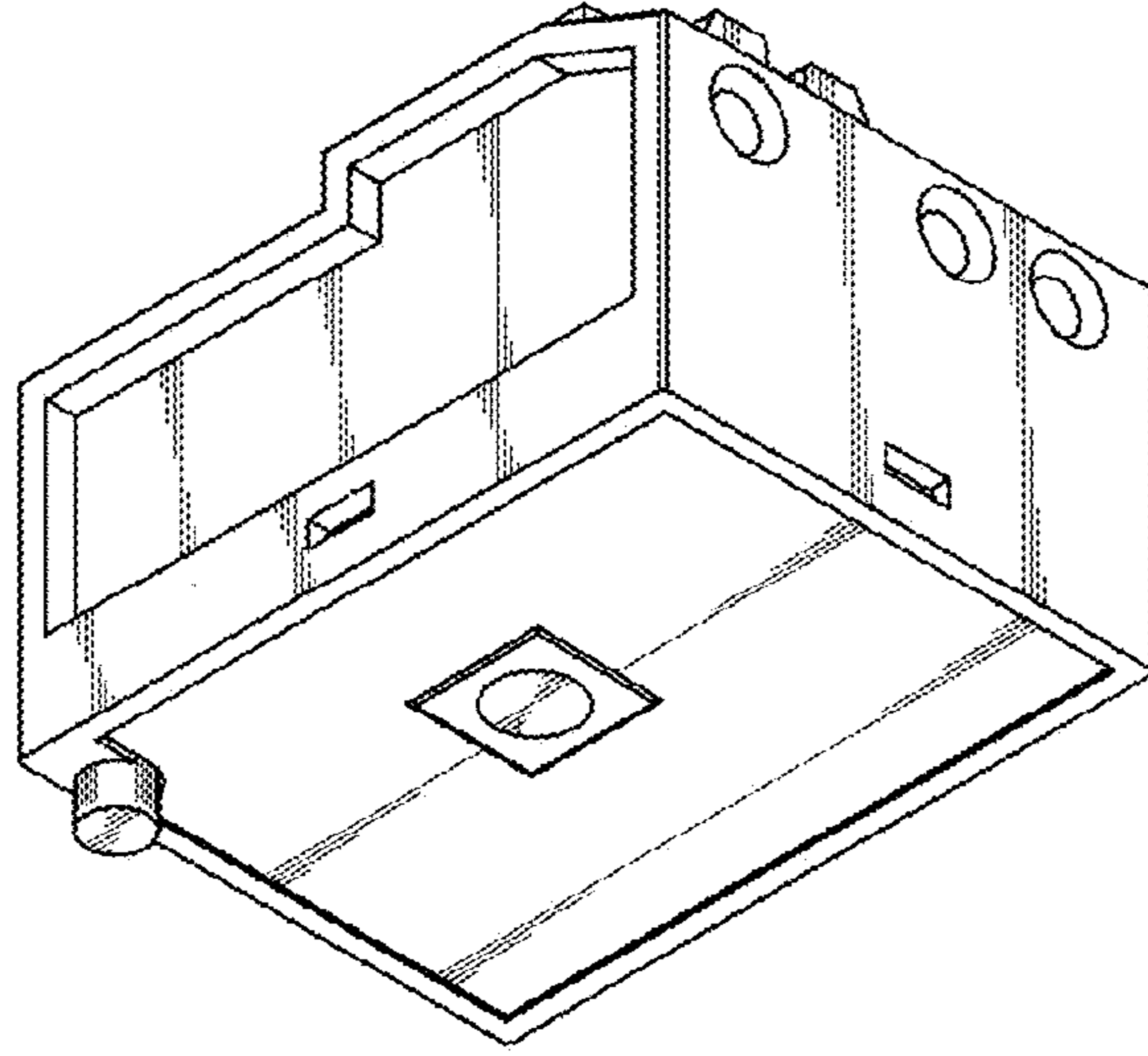


Fig. 4

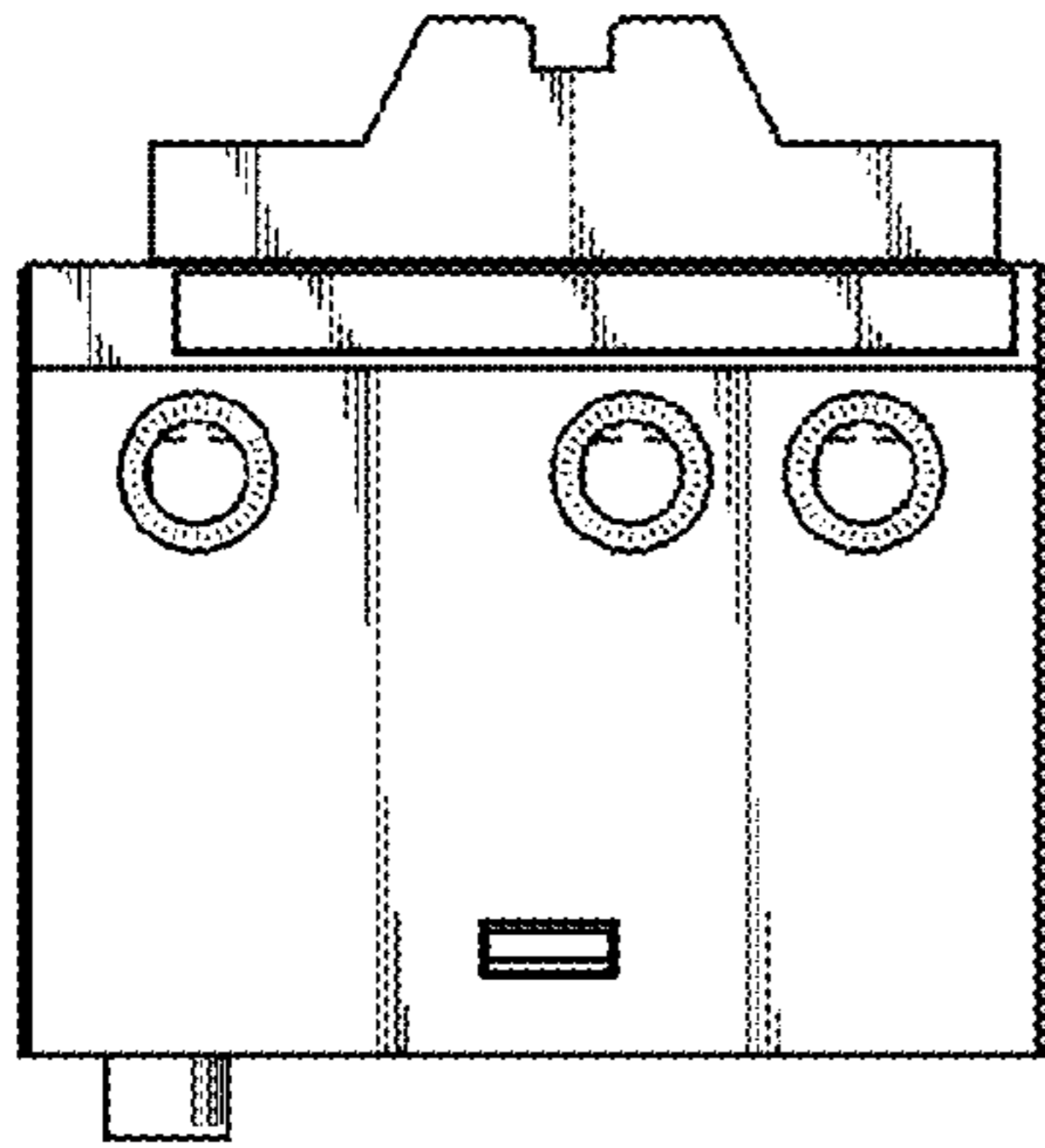


Fig. 5

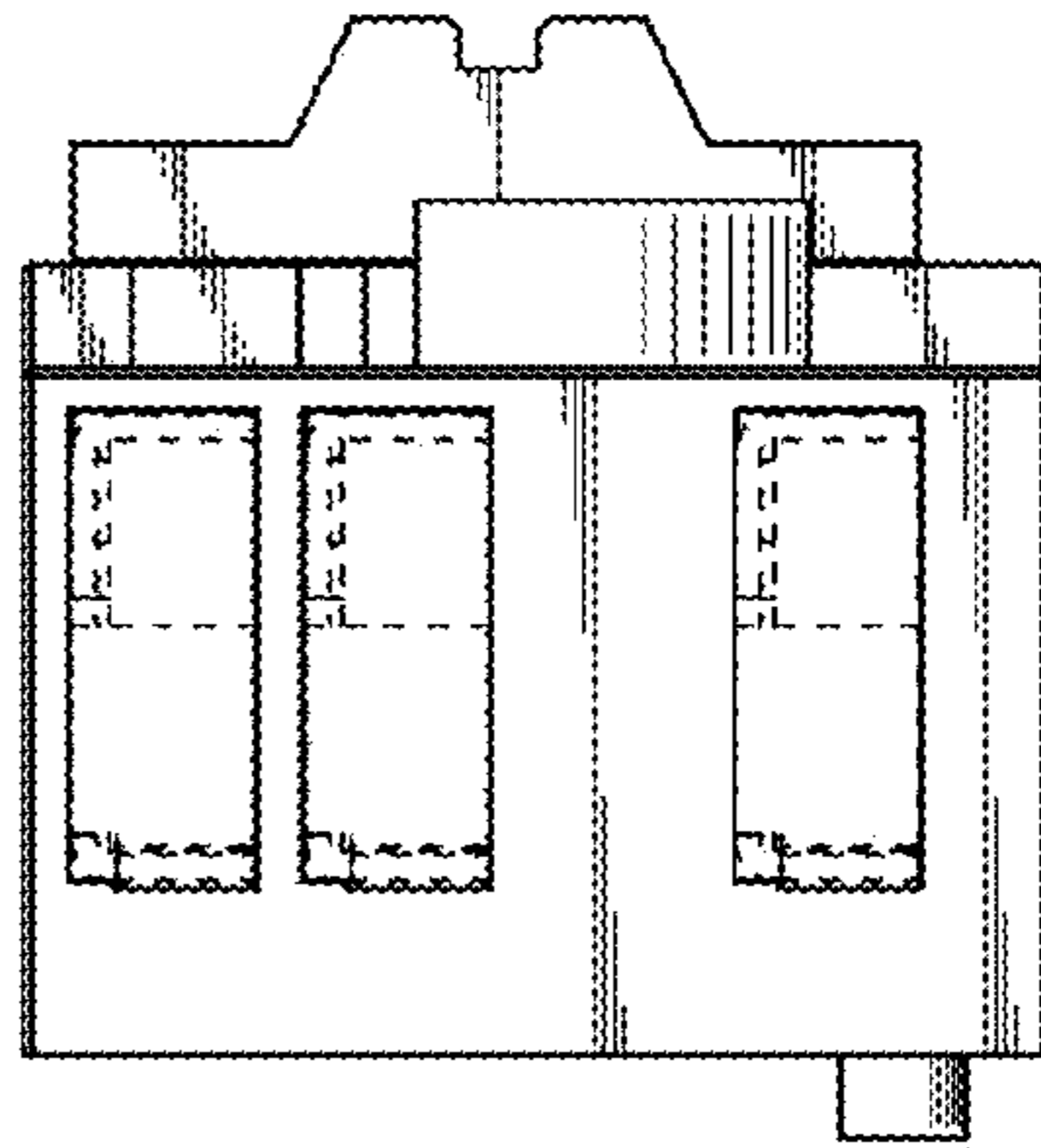


Fig. 6

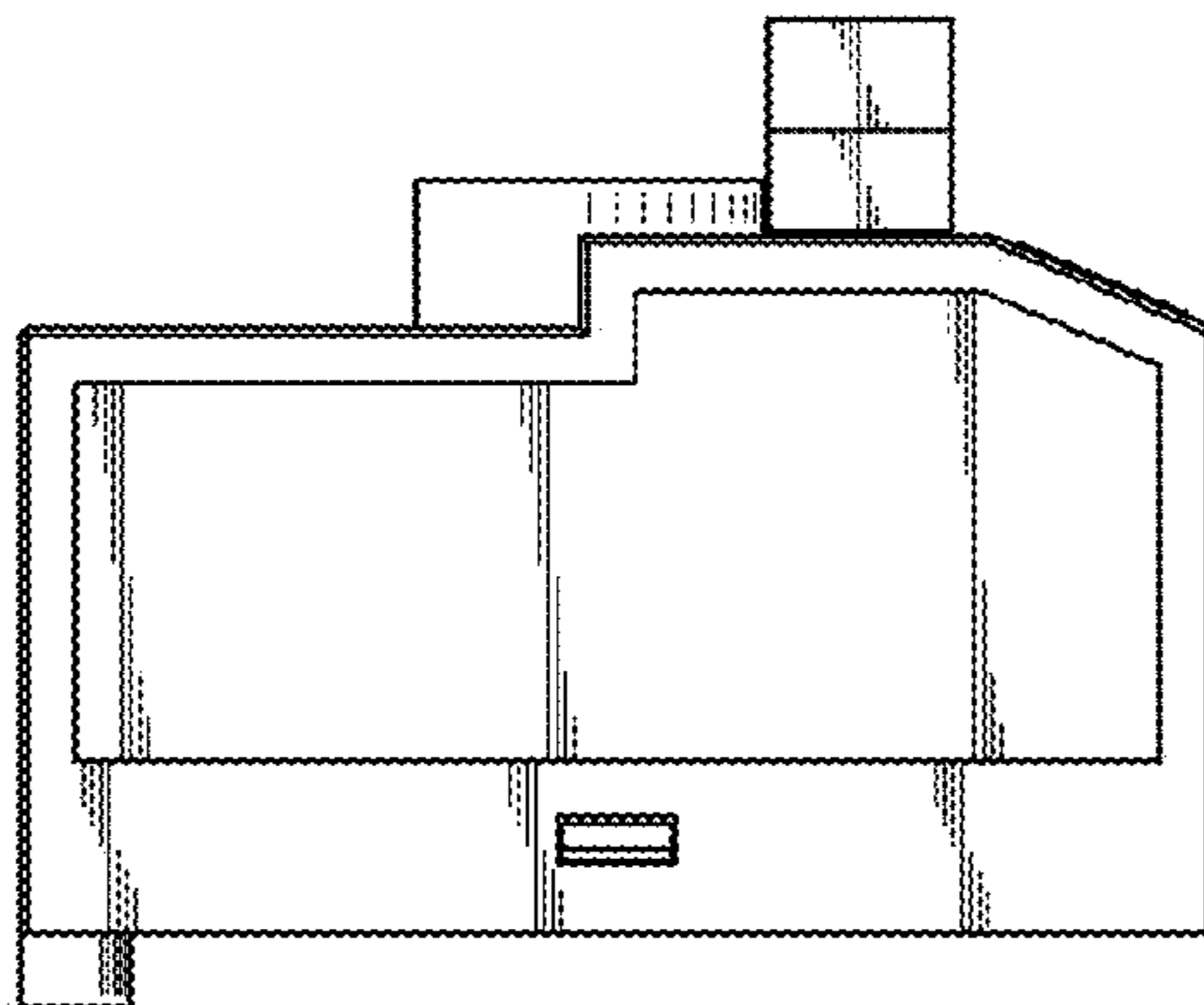


Fig. 7

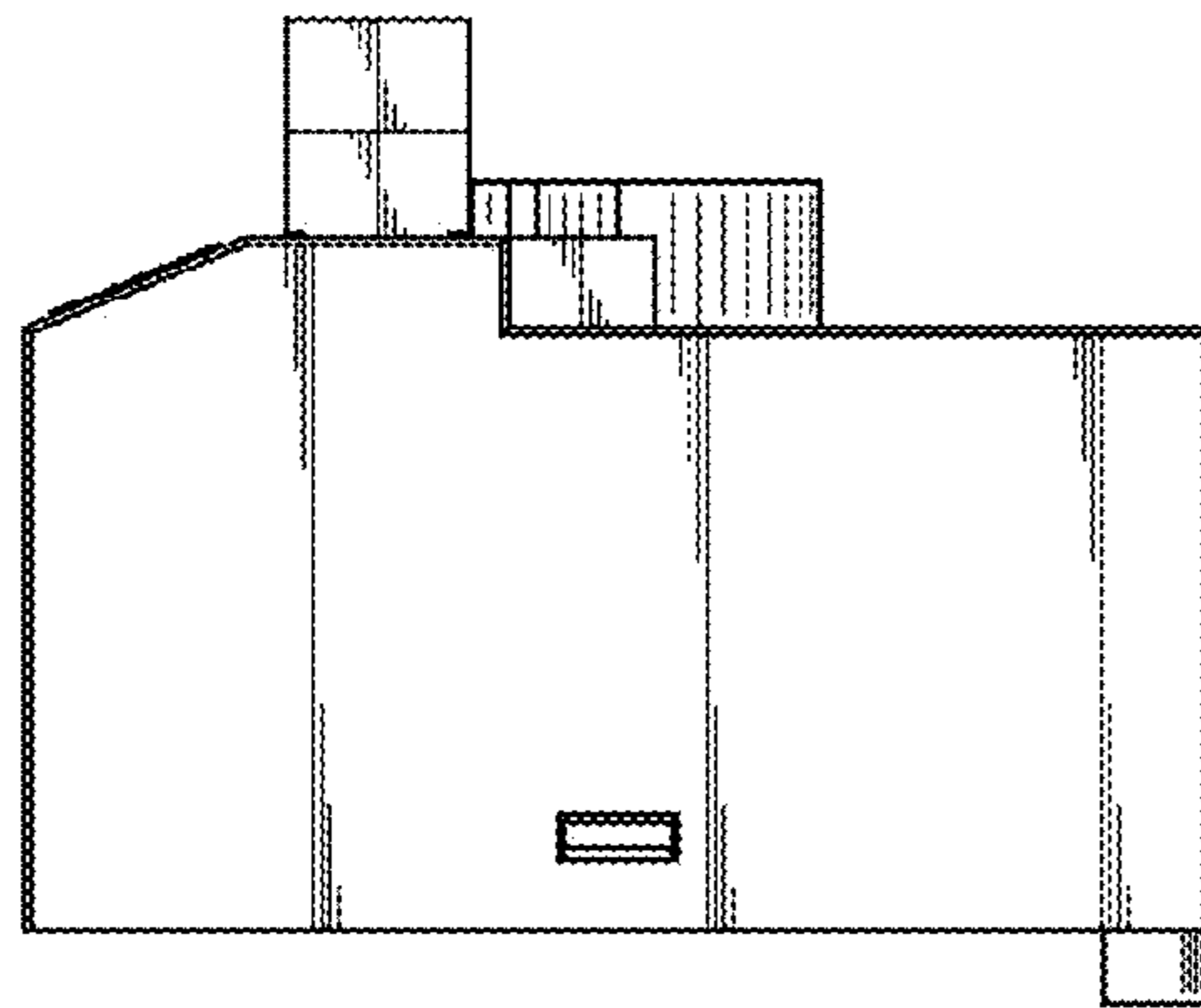


Fig. 8

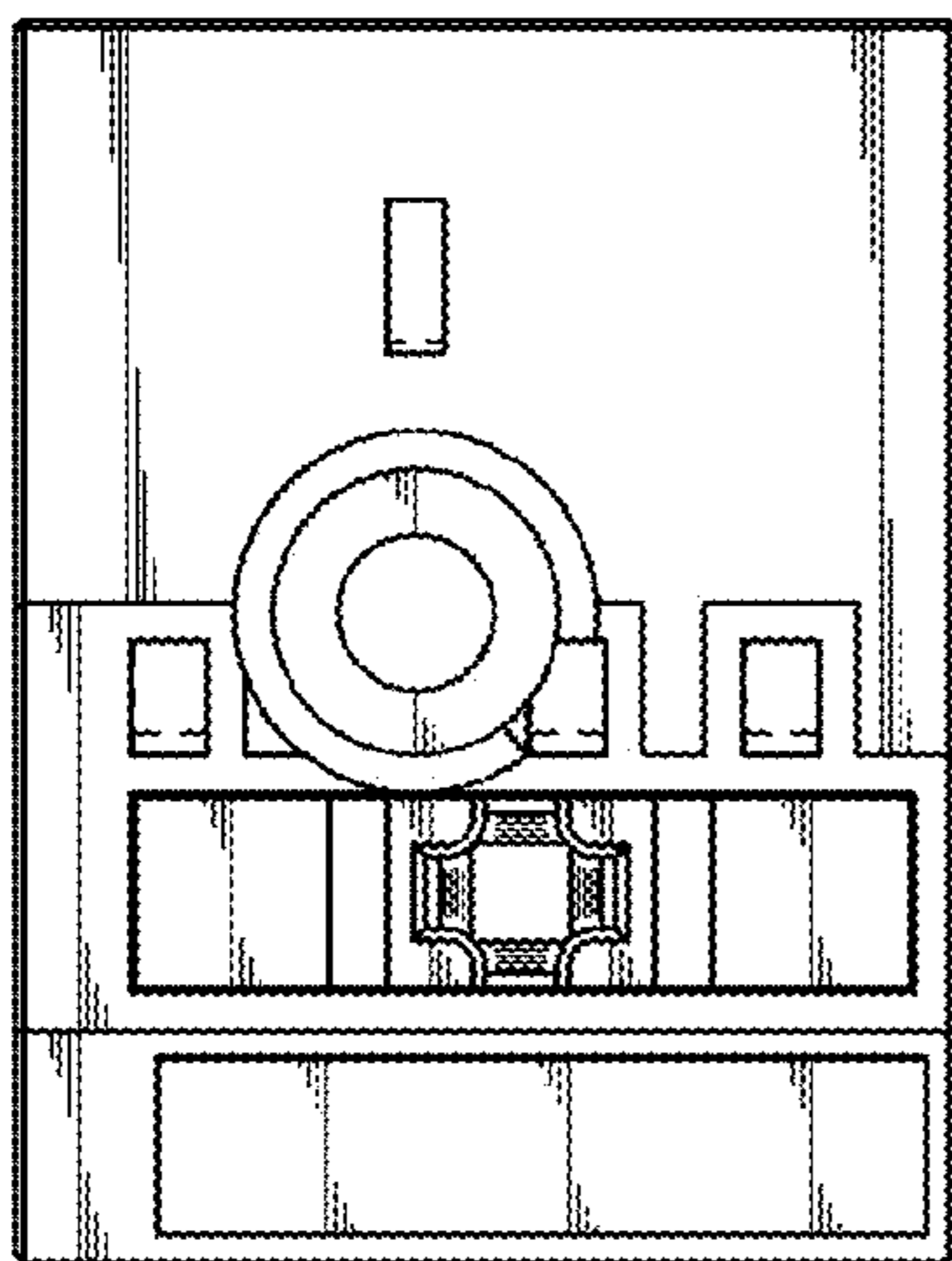


Fig. 9

