



US00D750020S

(12) **United States Design Patent**
Song

(10) **Patent No.:** **US D750,020 S**

(45) **Date of Patent:** **** Feb. 23, 2016**

(54) **CHARGER FOR ELECTRONIC DEVICE**

2250/40; B60L 11/182

See application file for complete search history.

(71) Applicant: **Samsung Electronics Co., Ltd.**,
Suwon-si (KR)

(56) **References Cited**

(72) Inventor: **Jun Yong Song**, Seongnam-si (KR)

U.S. PATENT DOCUMENTS

(73) Assignee: **Samsung Electronics Co., Ltd.**,
Suwon-si (KR)

D345,977	S	*	4/1994	Nagele	D13/108
D346,798	S	*	5/1994	Nagele	D13/108
D367,065	S	*	2/1996	Wu	D14/251
D466,476	S	*	12/2002	Stratford	D13/108
D627,340	S	*	11/2010	Lan	D14/253
D637,155	S	*	5/2011	Jeon	D13/108
D721,073	S	*	1/2015	Alesi	D14/253
2015/0188340	A1	*	7/2015	Edwards	H02J 7/0042 320/103

(**) Term: **14 Years**

(21) Appl. No.: **29/498,726**

* cited by examiner

(22) Filed: **Aug. 7, 2014**

Primary Examiner — Rosemary K Tarcza

(30) **Foreign Application Priority Data**

Assistant Examiner — Sanjeev Paul

Feb. 22, 2014 (KR) 30-2014-0009047

(74) *Attorney, Agent, or Firm* — NSIP Law

(51) **LOC (10) Cl.** **13-02**

(52) **U.S. Cl.**
USPC **D13/108**

(57) **CLAIM**

The ornamental design for a charger for electronic device, as shown and described.

(58) **Field of Classification Search**

USPC D13/102–110, 118–119, 184, 199, 133,
D13/144; D14/251, 253, 432, 434, 356,
D14/155; D15/9; 439/300, 620.01, 638,
439/668–669, 675, 825; 320/107–115

CPC Y02E 60/12; Y02E 60/10; Y02E 60/122;
Y02E 60/124; Y02E 60/50; Y02T 90/14;
Y02T 90/122; Y02T 90/128; Y02T 90/163;
H02J 7/025; H02J 7/0042; H02J 7/0044;
H02J 7/0045; H02J 7/0003; H02J 7/00;
H02J 7/0011; H02J 7/0013; H02J 7/0054;
H02J 7/0055; H02J 7/0057; H02J 2007/0062;
H01F 38/14; H01R 13/6675; H01M 2/02;
H01M 2/022; H01M 2/0202; H01M 2/0207;
H01M 2/0212; H01M 2/1061; H01M 2/1022;
H01M 2/1055; H01M 2/1066; H01M 2/105;
H01M 2/204; H01M 10/44; H01M 10/46;
H01M 10/425; H01M 10/465; H01M 10/482;
H01M 10/4257; H01M 10/0436; H01M 10/48;
H01M 2200/30; H01M 2250/30; H01M

DESCRIPTION

FIG. 1 is a front perspective view of charger for electronic device showing my new design;
FIG. 2 is a front view thereof;
FIG. 3 is a rear view thereof;
FIG. 4 is a left-side view thereof;
FIG. 5 is a right-side view thereof;
FIG. 6 is a top view thereof;
FIG. 7 is a bottom view thereof;
FIG. 8 is a cross sectional view taken along line 8-8 of FIG. 6;
and,
FIG. 9 is a cross sectional view taken along line 9-9 of FIG. 6.
The broken lines in the figures show portions of the charger for electronic device which form no part of the claimed design.

1 Claim, 9 Drawing Sheets

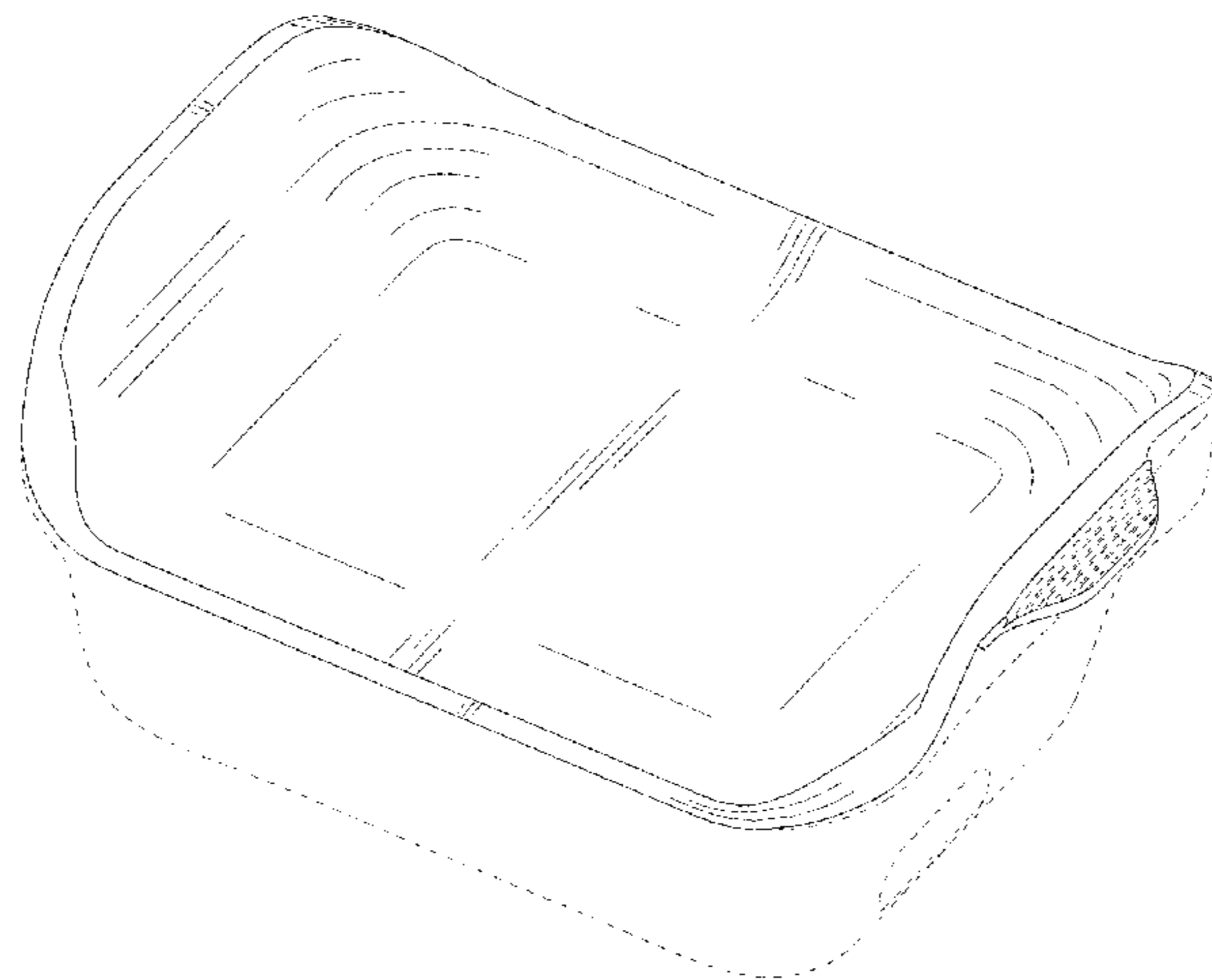


FIG.1

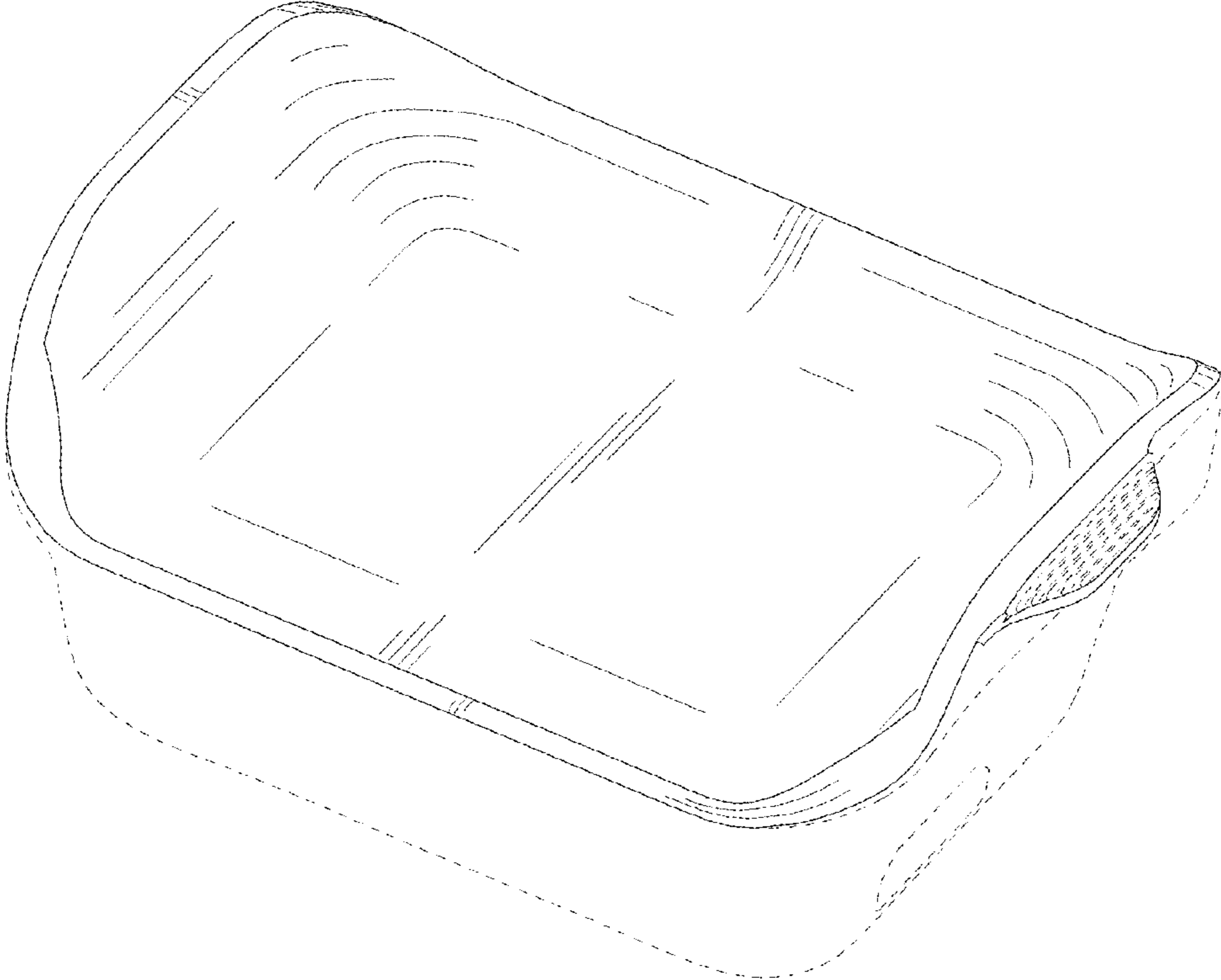


FIG.2

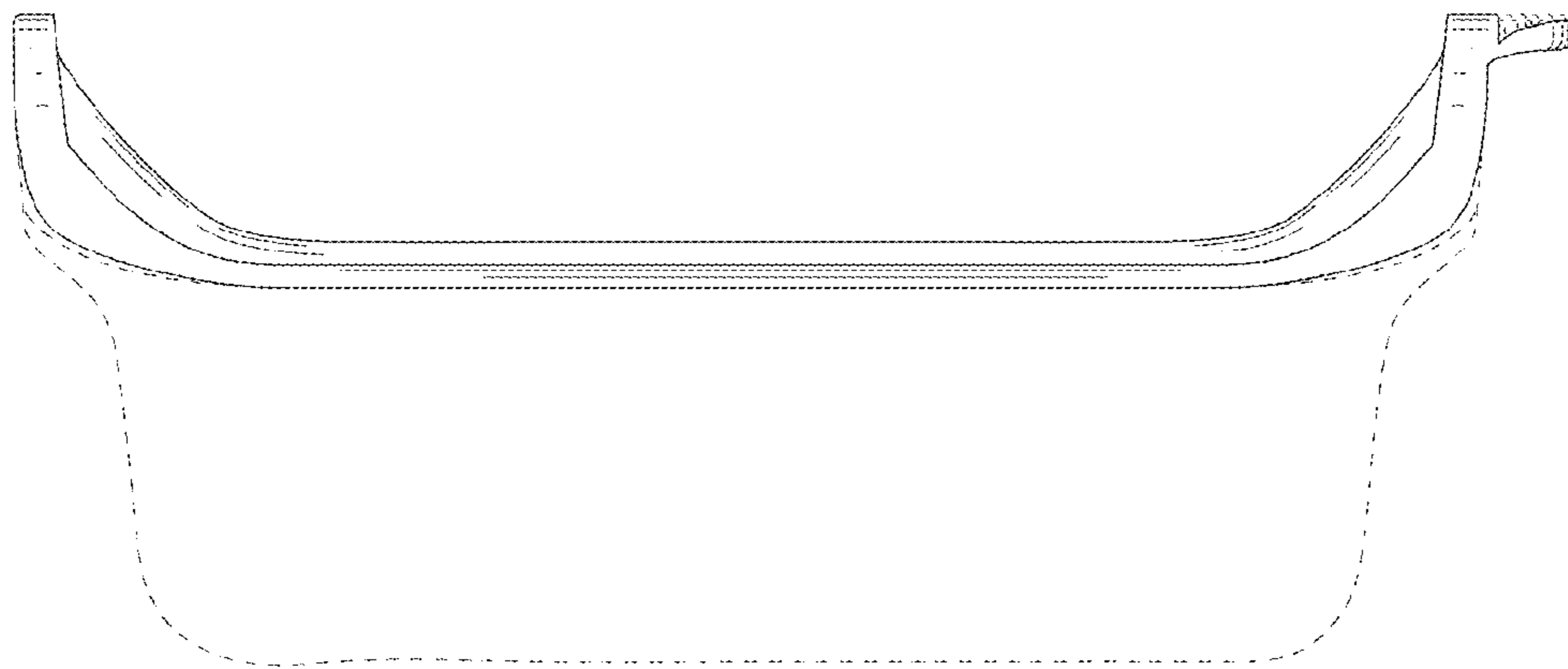


FIG.3

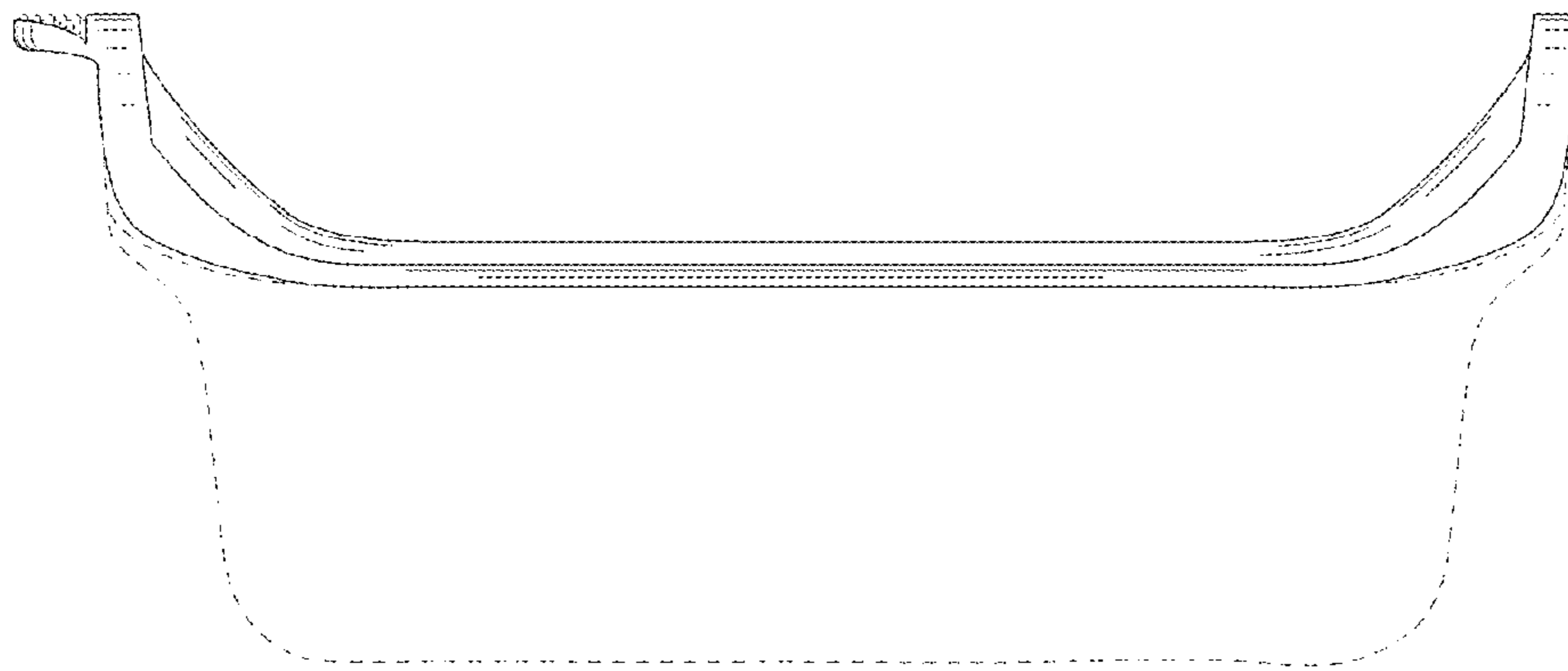


FIG.4

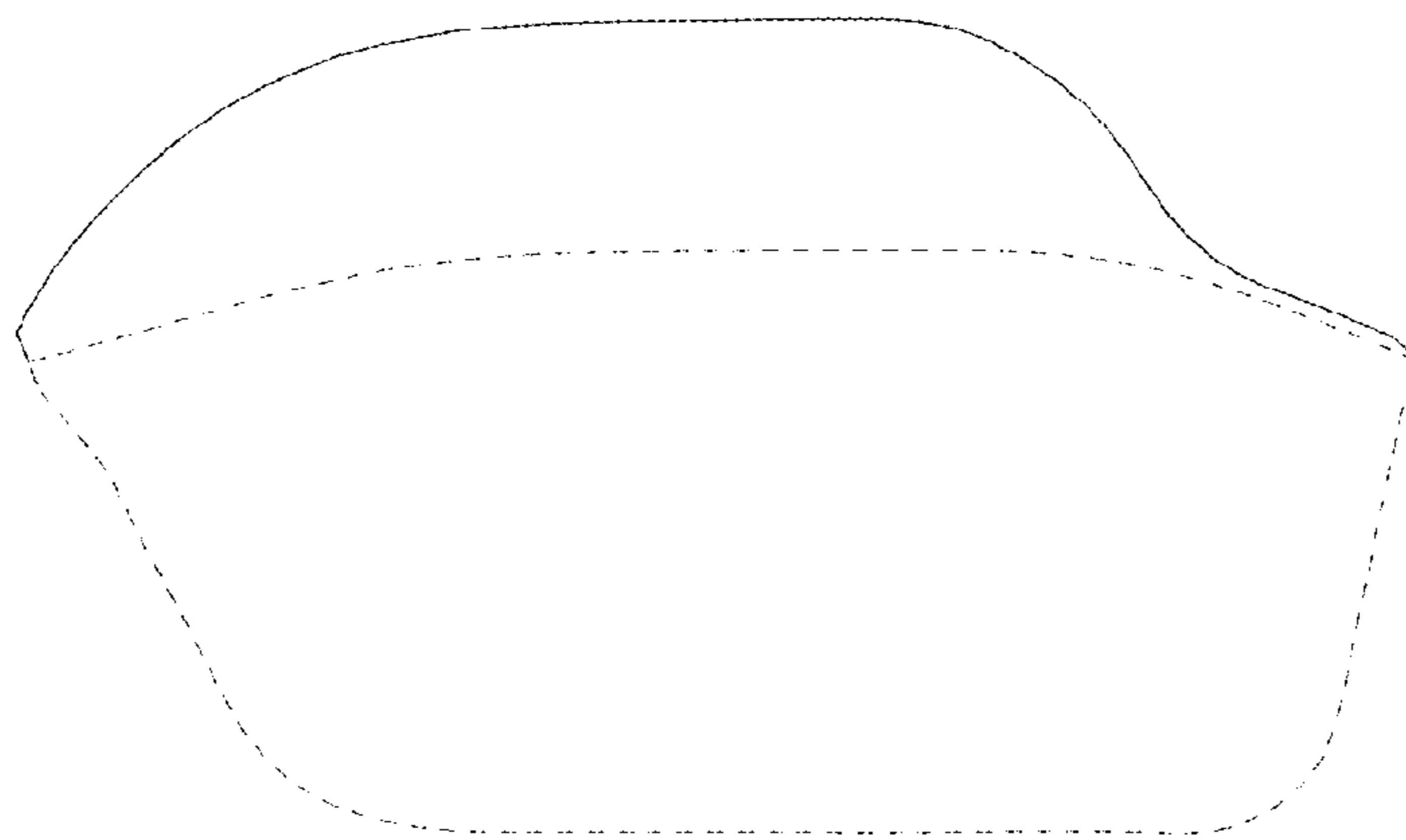


FIG.5

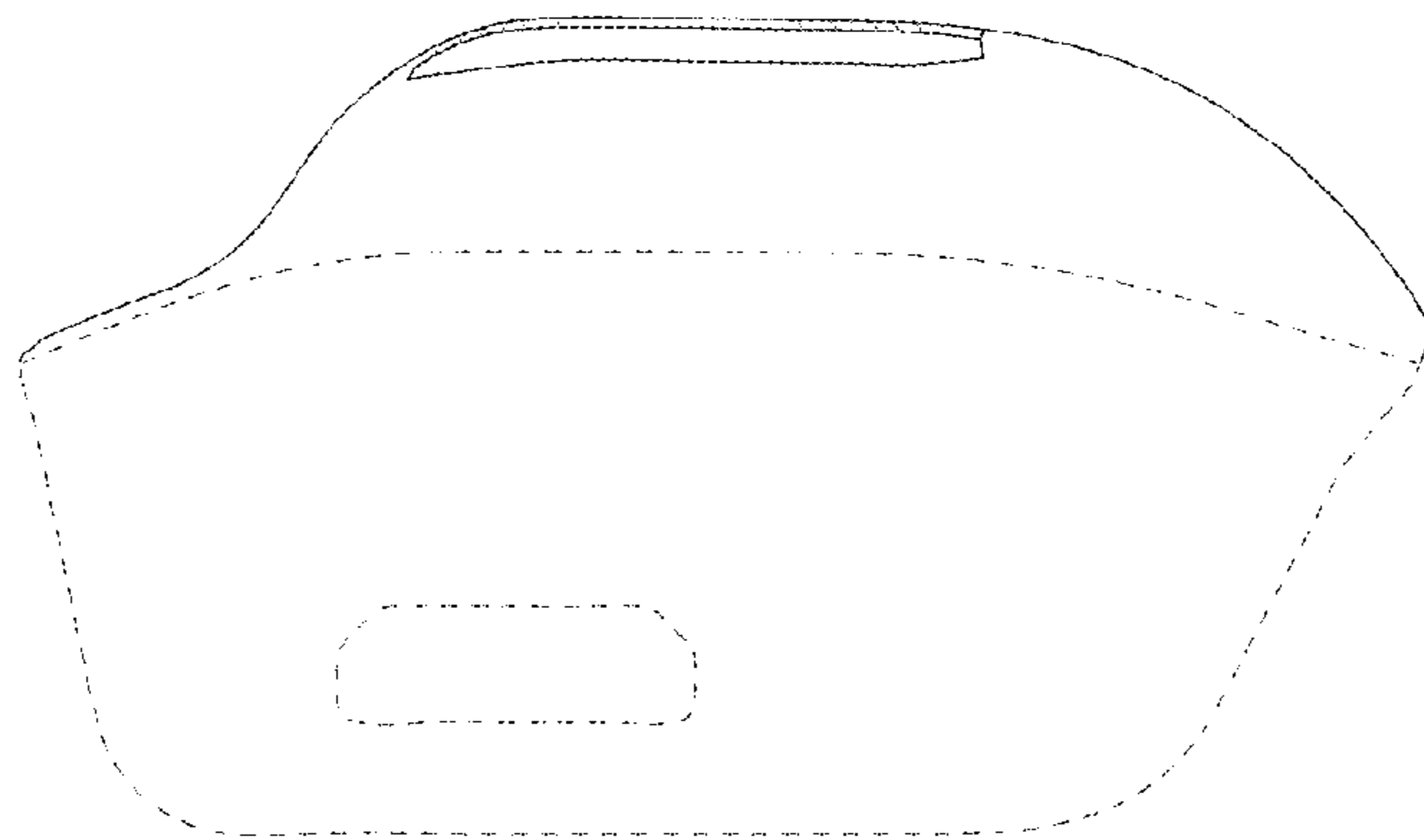


FIG.6

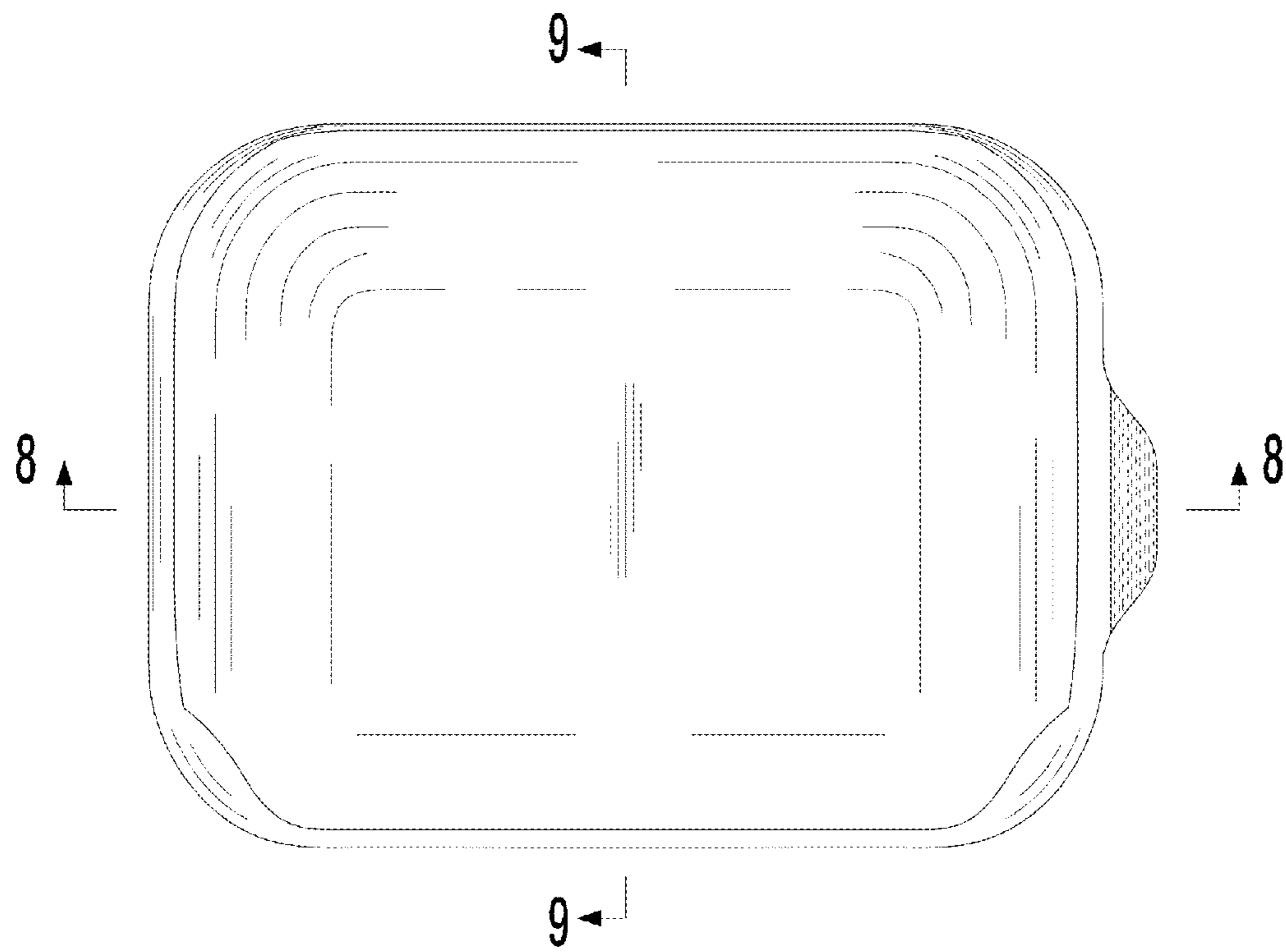


FIG.7

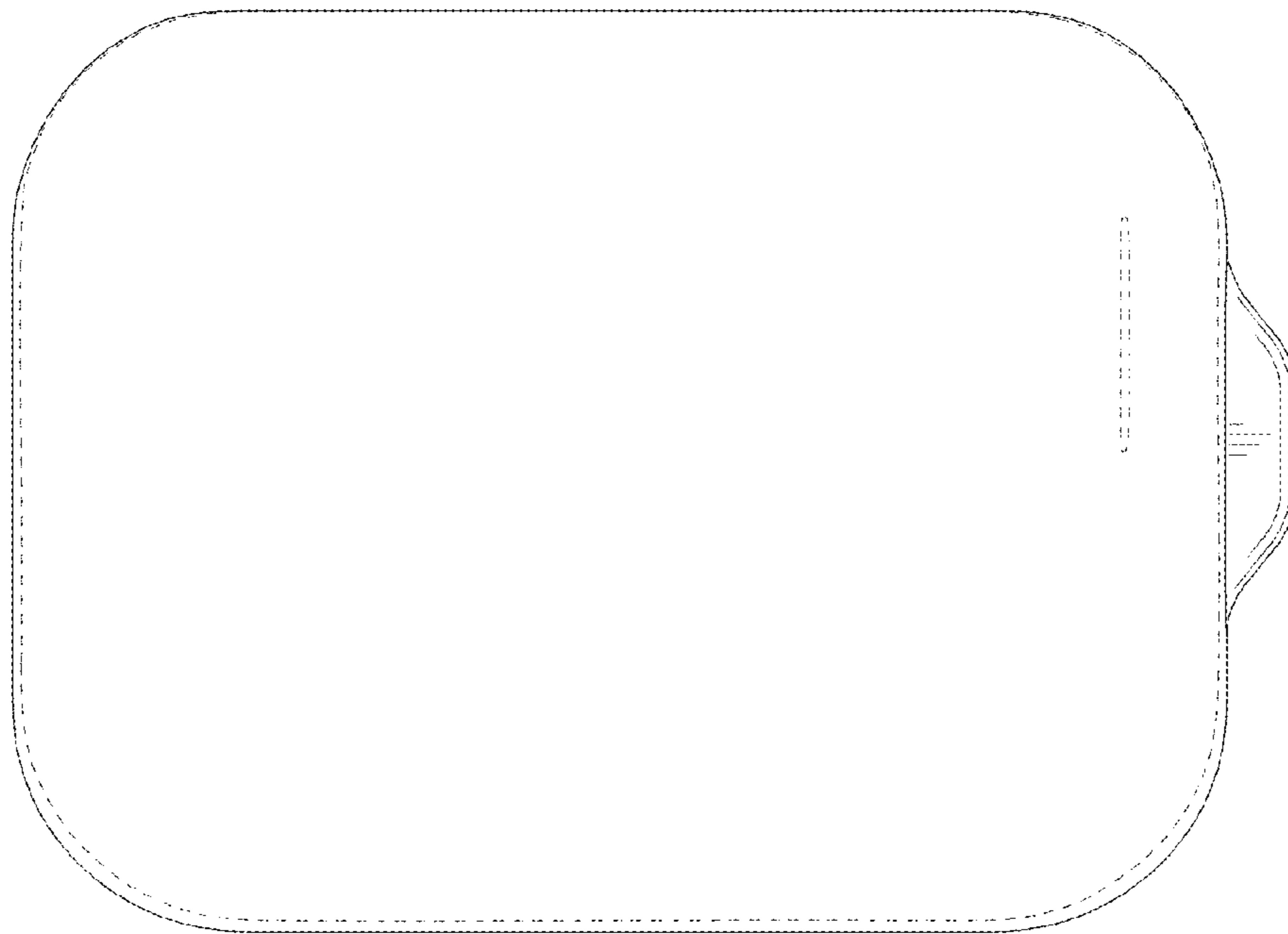


FIG. 8

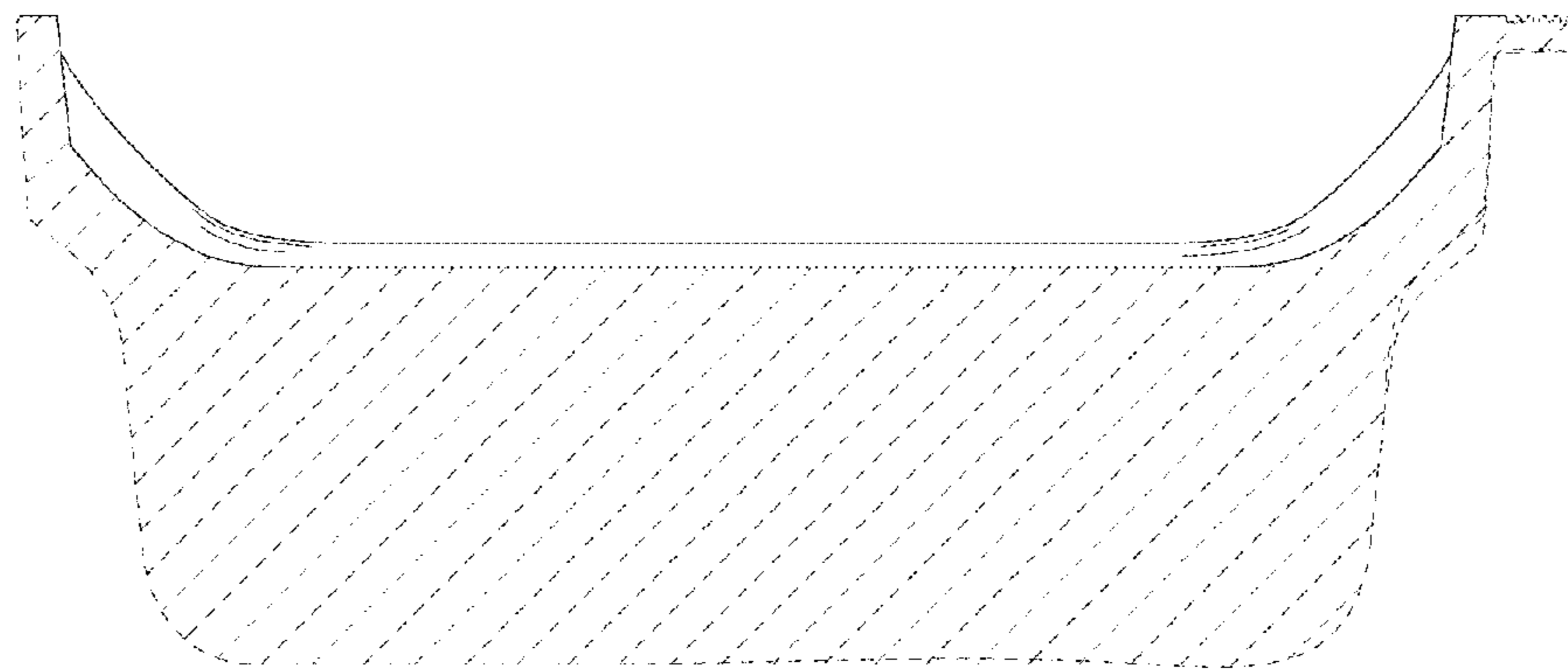


FIG.9

