



US00D750017S

(12) **United States Design Patent**
Miller et al.

(10) **Patent No.:** **US D750,017 S**

(45) **Date of Patent:** **** *Feb. 23, 2016**

(54) **PORTABLE POWER CHARGER**

H02J 7/0011; H02J 7/0013; H02J 7/02;
H02J 7/04; H02J 7/0027; H02J 7/0054;
H02J 7/0055; H02J 2007/0062

(71) Applicant: **Halo2Cloud, LLC**, Glastonbury, CT
(US)

See application file for complete search history.

(72) Inventors: **Garold C. Miller**, Glastonbury, CT
(US); **Nathan Daniel Weinstein**,
Glastonbury, CT (US)

(56) **References Cited**

U.S. PATENT DOCUMENTS

(73) Assignee: **Halo2Cloud LLC**, Glastonbury, CT
(US)

D376,579 S 12/1996 Bunyea et al.
D392,249 S 3/1998 Nakazawa et al.

(Continued)

(*) Notice: This patent is subject to a terminal disclaimer.

OTHER PUBLICATIONS

(**) Term: **14 Years**

Cheap 2500mAh Mobile External Power Battery Charger for iPhone . . . , <http://www.everbuying.com/product172197.html>, entitled "2500mAh Mobile External Power Battery Charger for iPhone 4/4S, Various Mobile Phones and Digital Devices", dated Dec. 28, 2012, pp. 1 through 7.

(Continued)

(21) Appl. No.: **29/470,252**

(22) Filed: **Oct. 18, 2013**

Primary Examiner — Rosemary K Tarcza

(74) *Attorney, Agent, or Firm* — McCormick, Paulding & Huber LLP

Related U.S. Application Data

(60) Division of application No. 29/438,616, filed on Nov. 30, 2012, now Pat. No. Des. 695,216, and a continuation of application No. 29/430,950, filed on Aug. 31, 2012, now abandoned.

(57) **CLAIM**

The ornamental design for a portable power charger, substantially as shown and described.

(51) **LOC (10) Cl.** **13-02**

DESCRIPTION

(52) **U.S. Cl.**

USPC **D13/108**

(58) **Field of Classification Search**

USPC D13/102–110, 118–119, 184, 199;
D14/356, 432; 320/103, 111–115,
320/135–146

CPC Y02E 60/10; Y02E 60/12; Y02E 60/122;
Y02E 60/124; Y02E 60/50; H01M 2/02;
H01M 2/022; H01M 2/0202; H01M 2/0207;
H01M 2/0212; H01M 2/1061; H01M 2/1022;
H01M 2/1055; H01M 2/1066; H01M 2/105;
H01M 2/20; H01M 2/202; H01M 2/204;
H01M 2/206; H01M 10/4257; H01M 10/0436;
H01M 10/48; H01M 10/44; H01M 10/46;
H01M 10/465; H01M 10/482; H01M 10/488;
H01M 10/24; H01M 2200/30; H01M 2250/30;
H01M 2250/40; H02J 7/00; H02J 7/0003;

FIG. 1 is a front, top perspective view of a portable power charger comprising a first embodiment of a new, original and ornamental design;

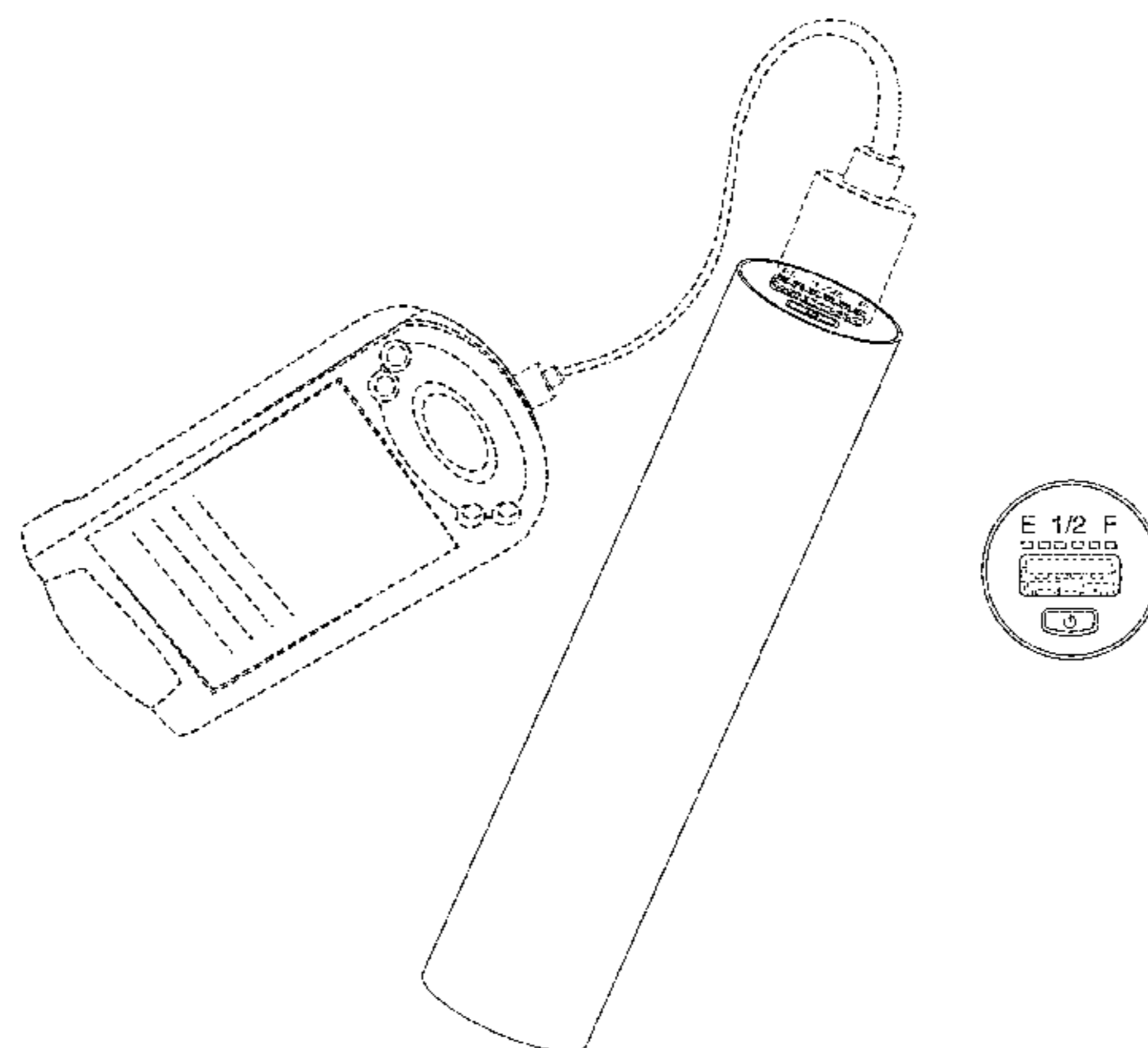
FIG. 2 is a front view of a portable power charger comprising the first embodiment of the new, original and ornamental design with the right-hand side, left-hand side and rear view being mirror images thereof;

FIG. 3 is a bottom view of a portable power charger comprising the first embodiment of the new, original and ornamental design; and,

FIG. 4 is a top view of a portable power charger comprising the first embodiment of a new, original and ornamental design.

The broken lines shown in the drawings illustrate unclaimed portions of the article and form no part of the claimed design.

1 Claim, 2 Drawing Sheets



(56)

References Cited

U.S. PATENT DOCUMENTS

D393,829 S * 4/1998 Shimizu D13/103
 D413,858 S 9/1999 Murakami et al.
 D459,297 S 6/2002 Searle
 D532,372 S 11/2006 Keating
 D532,745 S * 11/2006 Gaber et al. D13/108
 D539,216 S 3/2007 Hamaguchi
 D539,218 S 3/2007 Gaber et al.
 D542,279 S 5/2007 Chan
 D570,847 S 6/2008 Chern
 D572,656 S 7/2008 Schein
 D574,768 S * 8/2008 Witte D13/103
 D577,333 S * 9/2008 Daniel et al. D13/103
 D582,843 S 12/2008 Linardos
 D590,989 S 4/2009 Hon
 D598,374 S 8/2009 Sasada
 D607,815 S 1/2010 Lui
 D623,589 S * 9/2010 Tarter et al. D13/103
 D633,034 S 2/2011 Heine et al.
 D633,035 S 2/2011 Heine et al.
 D645,816 S 9/2011 Sasada et al.
 D645,817 S 9/2011 Sasada et al.
 D653,613 S 2/2012 Sasada et al.
 D664,092 S 7/2012 Gea Suarez
 D664,498 S 7/2012 Liu

D664,920 S 8/2012 Huang
 D665,346 S 8/2012 Kumagai et al.
 D670,244 S 11/2012 Workman et al.
 D674,746 S 1/2013 Zhang et al.
 D676,379 S * 2/2013 Liu D13/108
 D685,735 S 7/2013 Wang
 D686,155 S 7/2013 Nguyen
 D692,612 S 10/2013 Lowenthal et al.
 D695,216 S 12/2013 Miller et al.
 D703,134 S * 4/2014 Wong D13/108
 2004/0251871 A1 12/2004 Dvorak et al.
 2011/0003186 A1 1/2011 Liu
 2013/0076298 A1 * 3/2013 Miller et al. 320/103
 2013/0300349 A1 * 11/2013 Liu 320/107

OTHER PUBLICATIONS

Amazon.com: Anker® Astro Mini 2600mAh—Ultra-Compant Li . . . , http://www.amazon.com/gp/product/Boo5X1Y7I2/ref=oh_details . . . , dated Dec. 28, 2012, pp. 1 through 6.
 Cheap 2600mAh Aluminum Tubes Cylindrical Mobile Power for . . . , <http://www.everbuying.com/product170.html>, entitled “2600mAh Aluminum Tubes Cylindrical Mobile Power for iPhone 4/4S, Various Cell Phones and Digital Devices (Rose)”, dated Dec. 28, 2012, pp. 1 through 7.

* cited by examiner

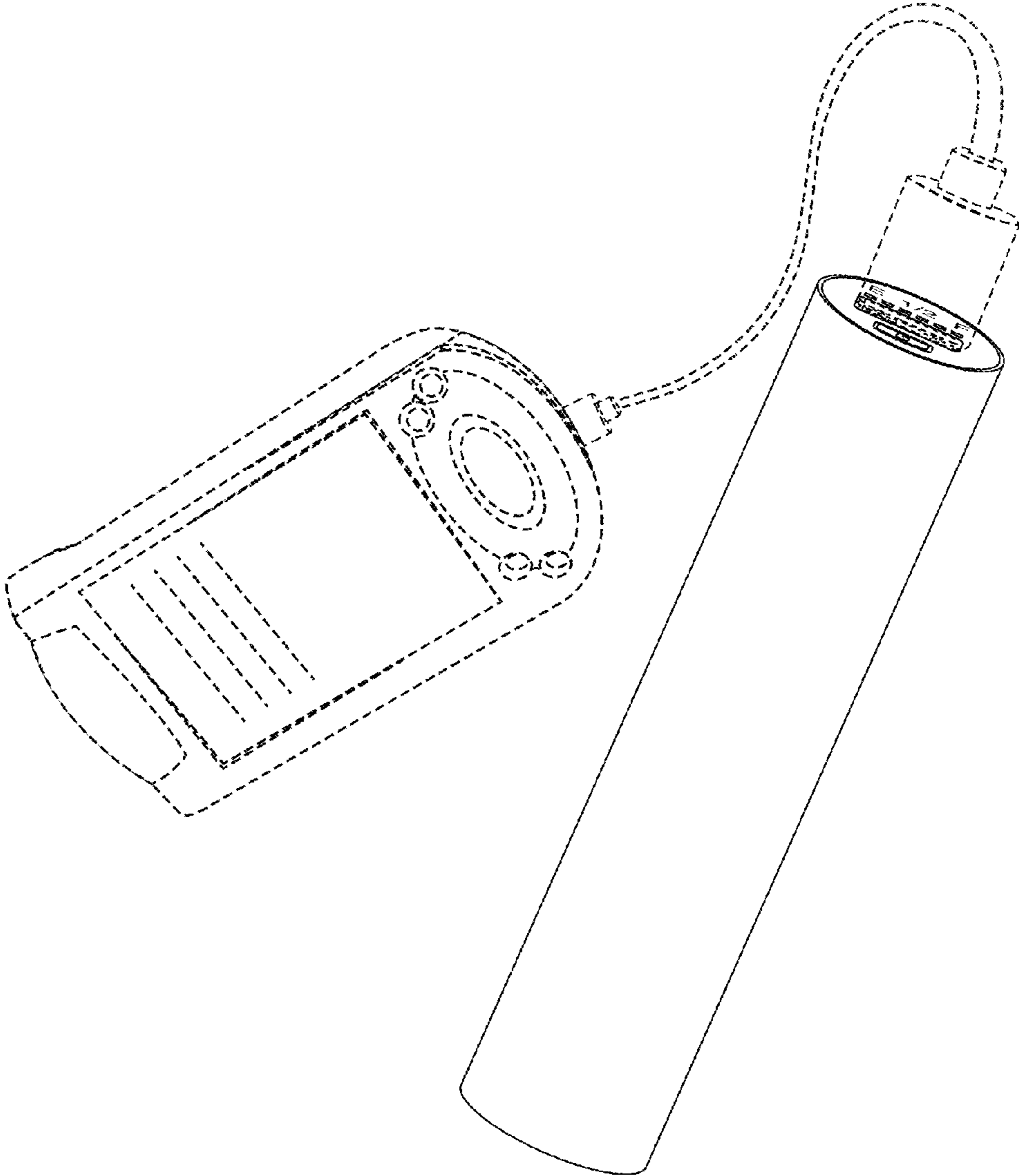


FIG. 1



FIG. 2

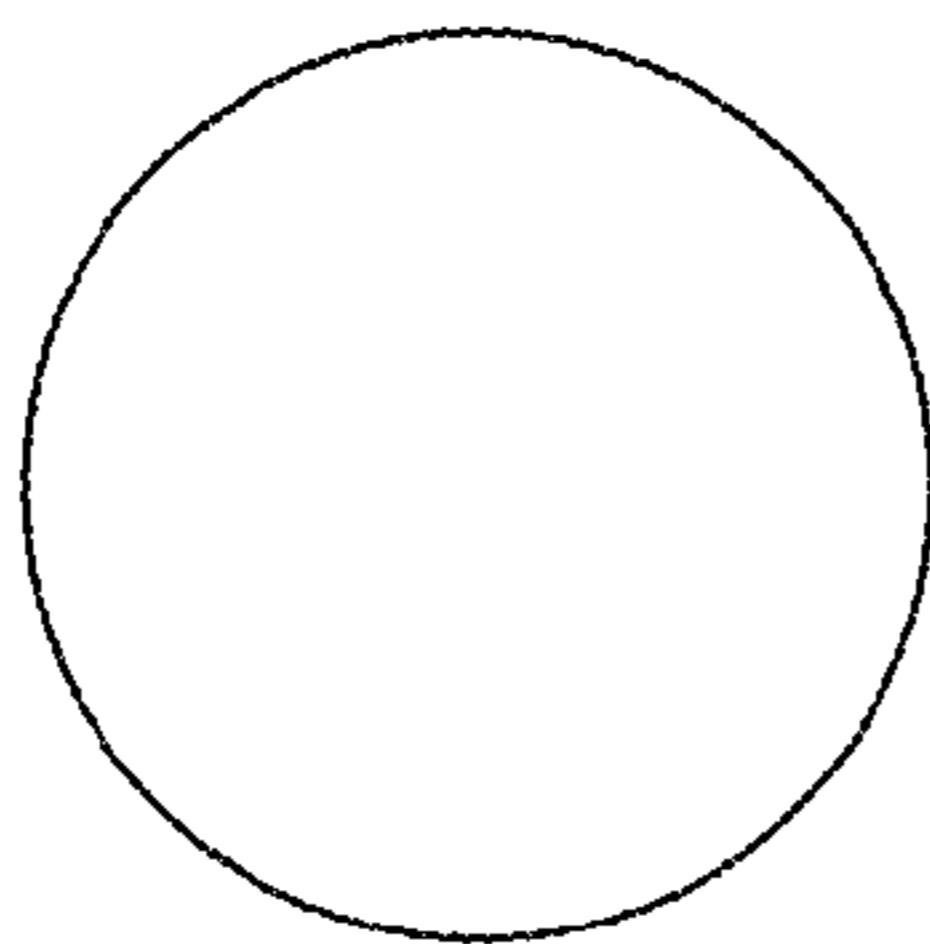


FIG. 3

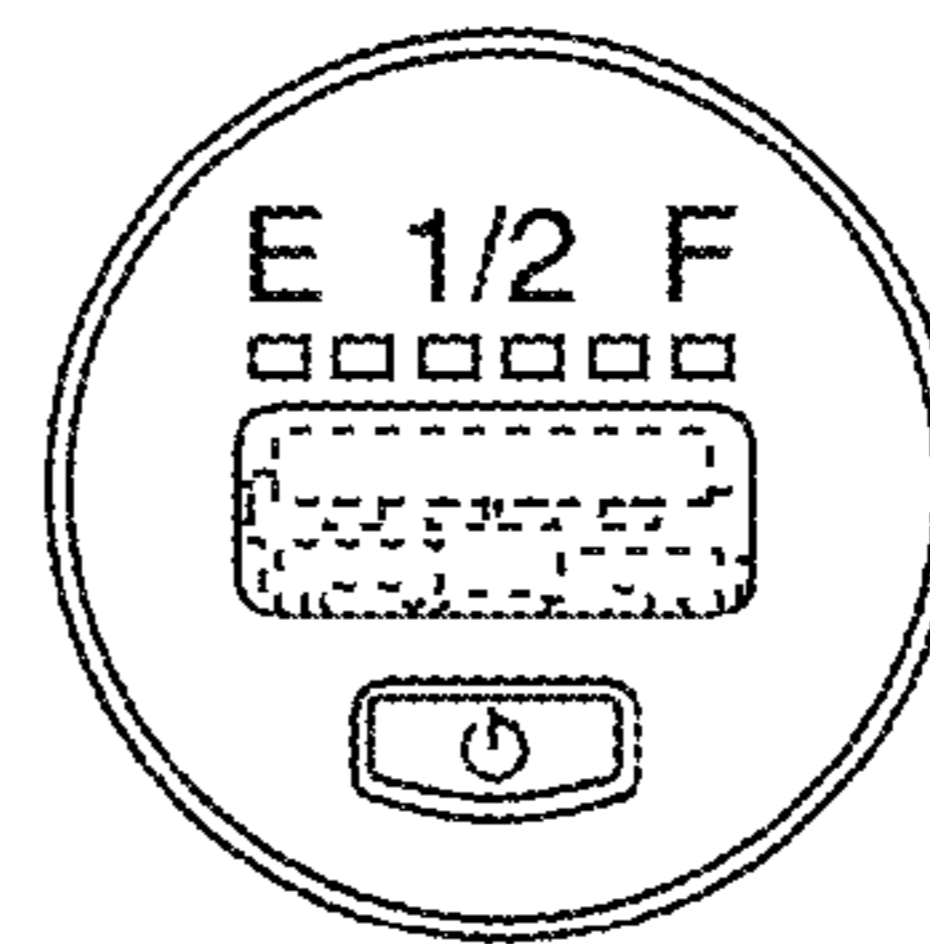


FIG. 4

UNITED STATES PATENT AND TRADEMARK OFFICE
CERTIFICATE OF CORRECTION

PATENT NO. : D750,017 S
APPLICATION NO. : 29/470252
DATED : February 23, 2016
INVENTOR(S) : Garold C. Miller et al.

Page 1 of 1

It is certified that error appears in the above-identified patent and that said Letters Patent is hereby corrected as shown below:

TITLE PAGE

Item (60) Related U.S. Application Data: Please delete "continuation" and insert
--continuation-in-part--

Signed and Sealed this
Twentieth Day of December, 2016



Michelle K. Lee
Director of the United States Patent and Trademark Office