



US00D750009S

(12) **United States Design Patent**  
**Kasparian et al.**

(10) **Patent No.:** **US D750,009 S**  
(45) **Date of Patent:** **\*\* Feb. 23, 2016**

(54) **GLARE SHIELD FOR A COCKPIT**

(56) **References Cited**

(71) Applicant: **Gulfstream Aerospace Corporation**,  
Savannah, GA (US)

(72) Inventors: **Aram Kasparian**, Savannah, GA (US);  
**Andrew Fulford**, Northville, MI (US);  
**John Aerni**, Savannah, GA (US)

(73) Assignee: **Gulfstream Aerospace Coporation**,  
Savannah, GA (US)

(\*\*) Term: **14 Years**

(21) Appl. No.: **29/506,133**

(22) Filed: **Oct. 13, 2014**

(51) **LOC (10) Cl.** ..... **12-07**

(52) **U.S. Cl.**  
USPC ..... **D12/345**

(58) **Field of Classification Search**  
USPC ..... D6/336, 384, 653, 654, 665, 657, 663,  
D6/672, 573, 716.2; D7/602, 603, 614;  
D12/319, 323, 325, 336, 345, 192, 423,  
D12/415, 416, 179, 180, 182, 419, 421;  
D21/436, 447, 448, 449, 453; D13/184  
CPC ..... B64C 13/04; B64D 11/0007; B64D  
11/0015; B64D 11/003; B64D 11/04; B64D  
2011/0046; B64D 11/0629; B64B 1/10;  
A47C 7/54

See application file for complete search history.

U.S. PATENT DOCUMENTS

1,296,182	A *	3/1919	Hammond	.....	B60K 37/02 116/266
D53,630	S *	7/1919	Goodwin	.....	D12/192
D202,262	S *	9/1965	Brunger	.....	D12/192
D284,751	S *	7/1986	Soederberg	.....	D12/192
D424,002	S *	5/2000	Leschke	.....	D12/192
D480,341	S *	10/2003	Day	.....	D12/192
D515,488	S *	2/2006	Seidel	.....	D12/192
D516,482	S *	3/2006	Pfeiffer	.....	D12/192
D519,895	S *	5/2006	Akimaru	.....	D12/192
D549,143	S *	8/2007	Lepage	.....	D12/192
D593,012	S *	5/2009	Day	.....	D12/192
D626,479	S *	11/2010	Mizuno	.....	D12/192
2003/0127557	A1 *	7/2003	Anderson	.....	G01C 23/00 244/1 R

\* cited by examiner

*Primary Examiner* — Robert M Spear

*Assistant Examiner* — Marissa J Cash

(74) *Attorney, Agent, or Firm* — Ingrassia, Fisher & Lorenz

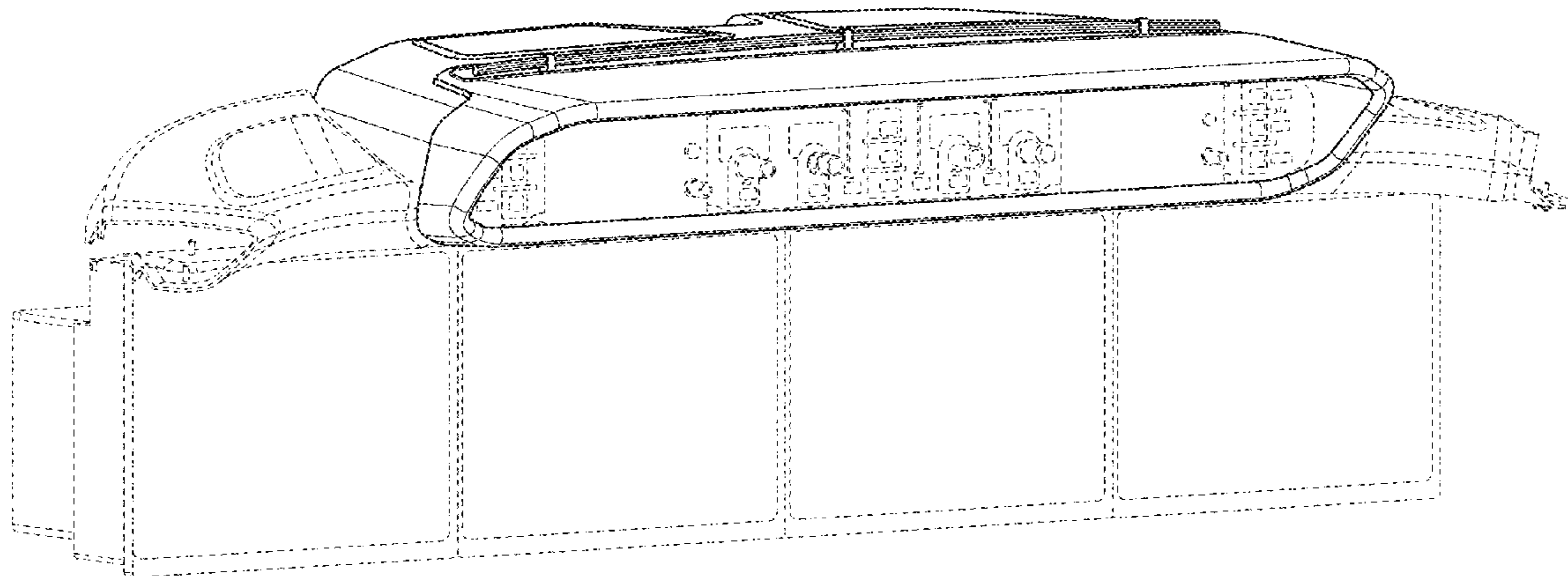
(57) **CLAIM**

The ornamental design for a glare shield for a cockpit, as shown and described.

**DESCRIPTION**

FIG. 1 is a front perspective view of a glare shield for a cockpit;  
FIG. 2 is a front view of a glare shield for a cockpit;  
FIG. 3 is a back view of a glare shield for a cockpit;  
FIG. 4 is a first side view of a glare shield for a cockpit;  
FIG. 5 is a second side view of a glare shield for a cockpit;  
FIG. 6 is a top view of a glare shield for a cockpit; and,  
FIG. 7 is a bottom view of a glare shield for a cockpit.  
The broken lines illustrate unclaimed environment and form no part of the claimed design.

**1 Claim, 6 Drawing Sheets**



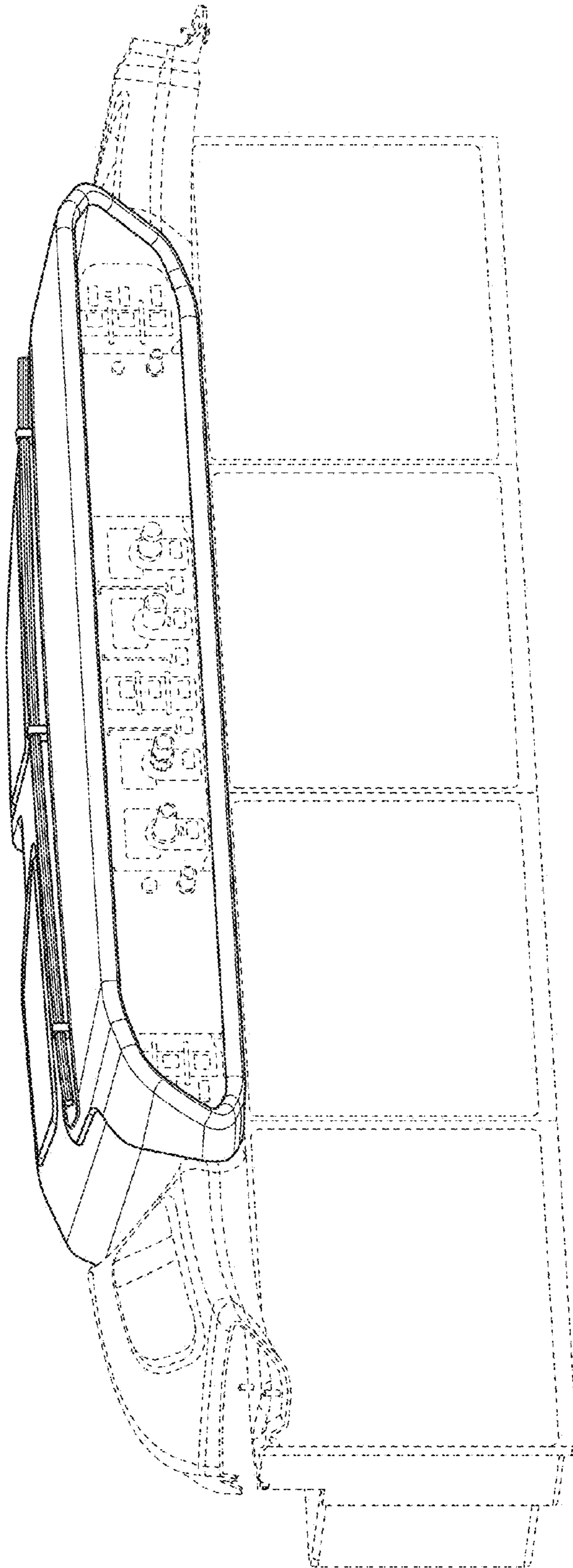


FIG. 1

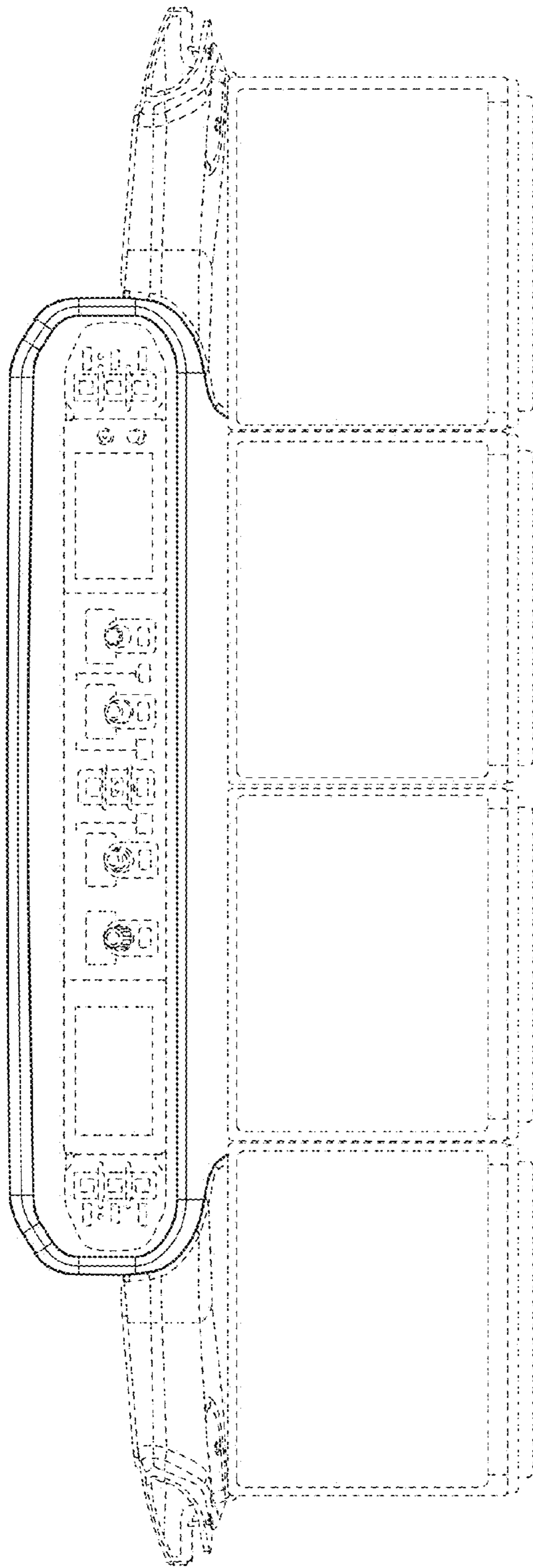


FIG. 2

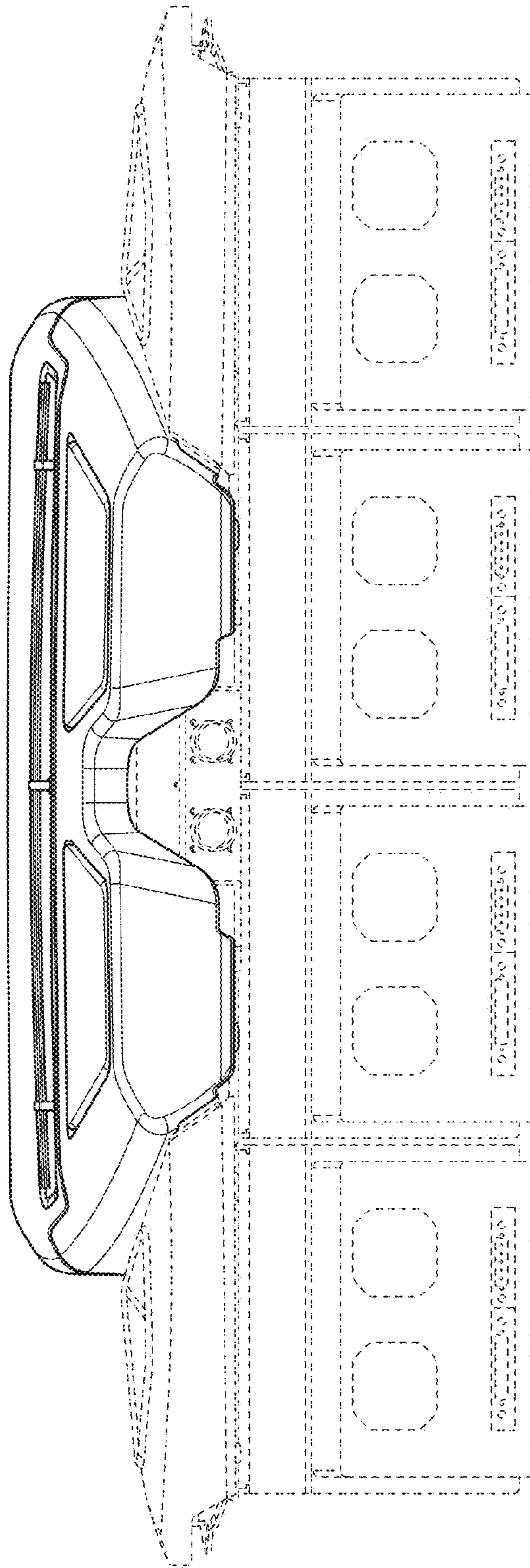


FIG. 3



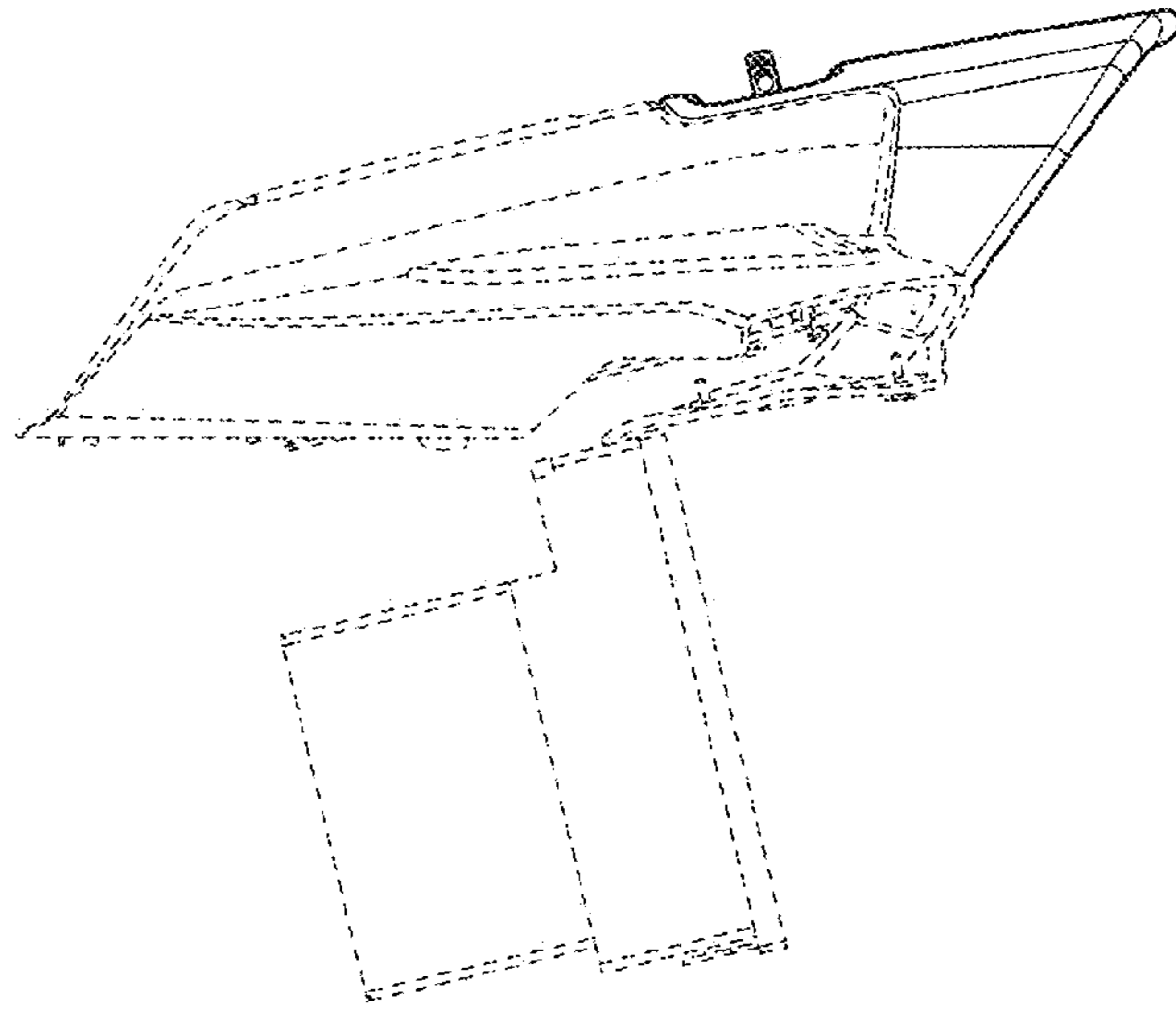


FIG. 4

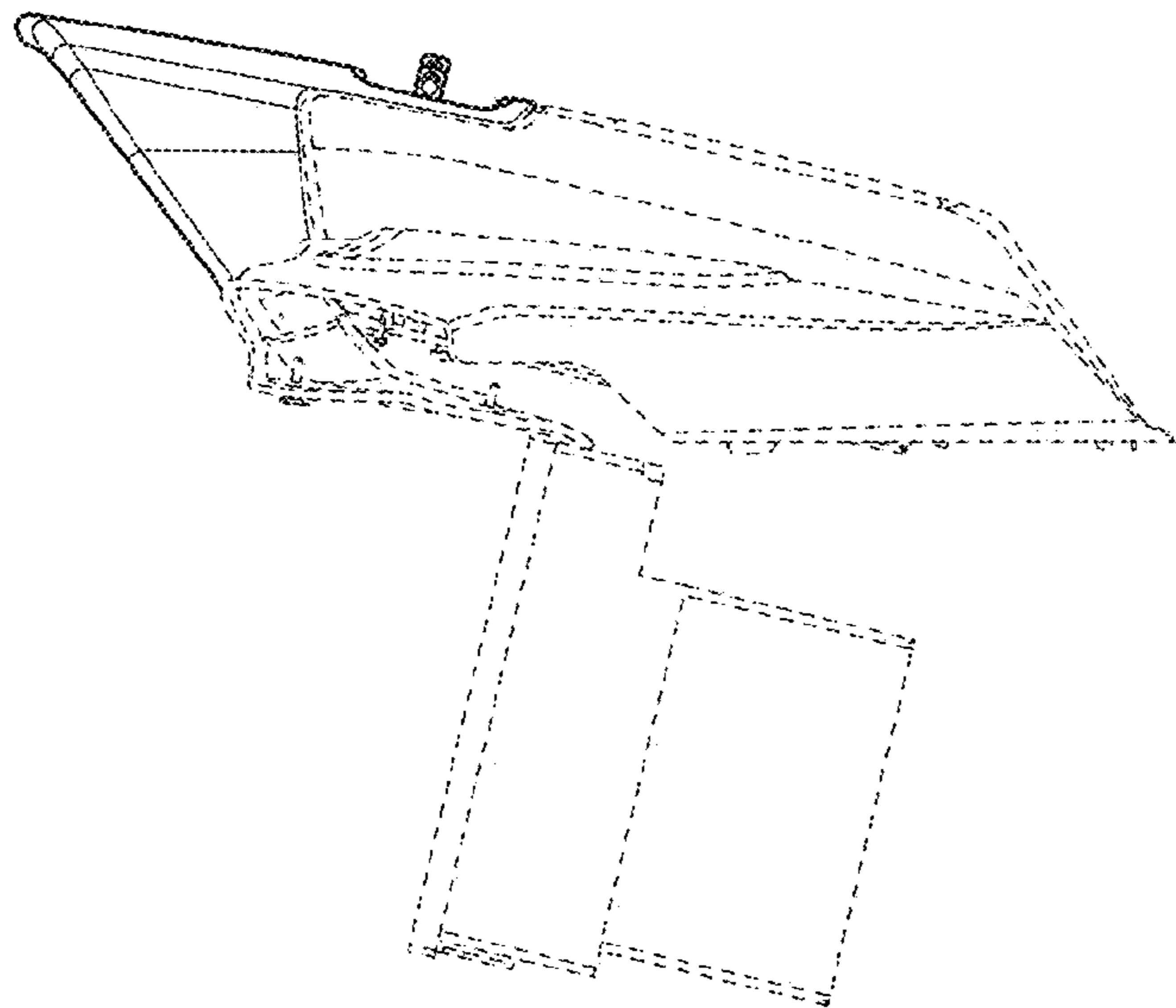


FIG. 5

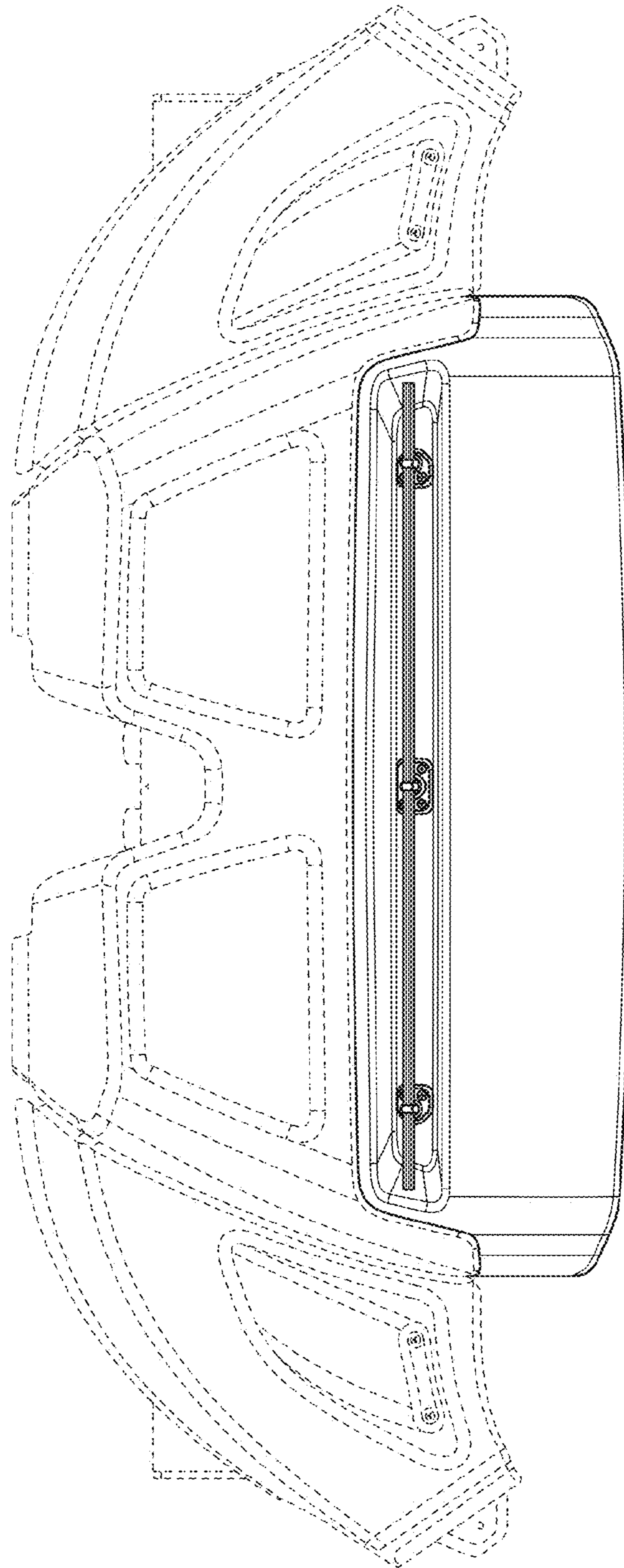


FIG. 6

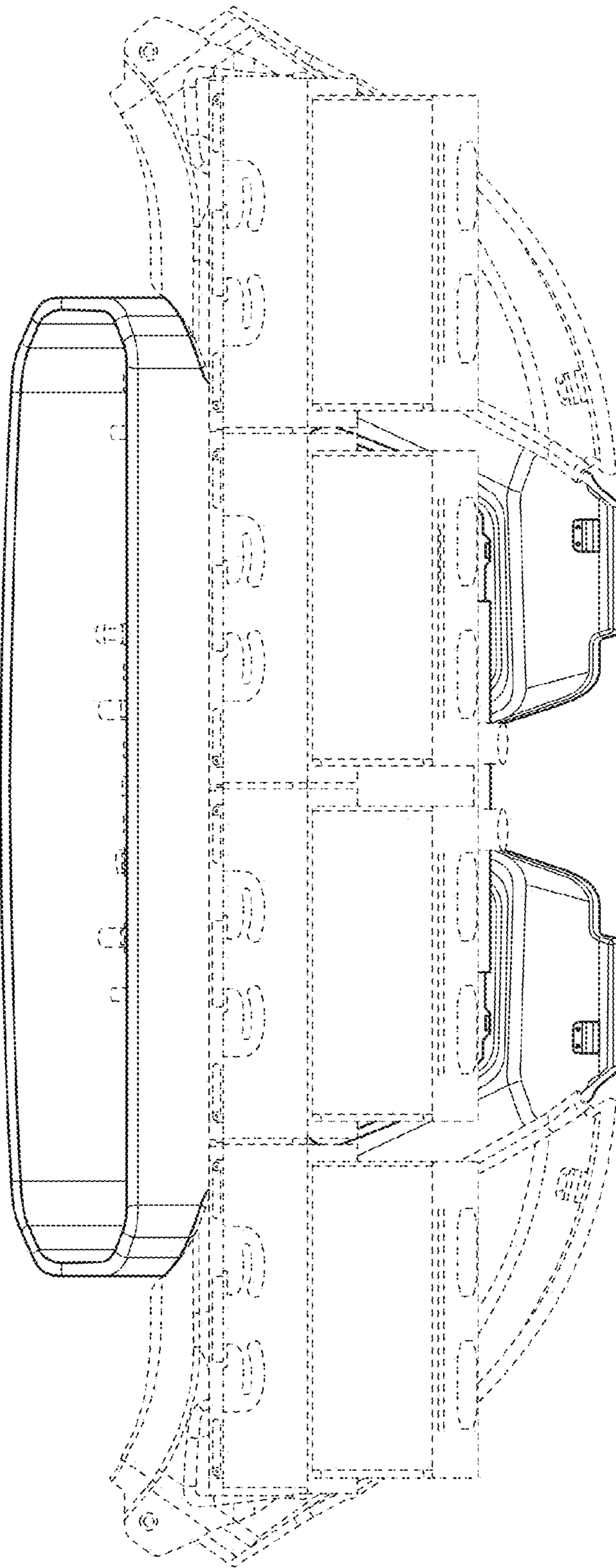


FIG. 7