



US00D750007S

(12) **United States Design Patent**  
**Smallhorn**

(10) **Patent No.:** **US D750,007 S**  
(45) **Date of Patent:** **\*\* Feb. 23, 2016**

(54) **AIRCRAFT PASSENGER CONTROL UNIT WITH ELECTRIC POWER OUTLET**

(71) Applicant: **INFLIGHT INVESTMENTS INC.,**  
St-Laurent, Quebec (CA)

(72) Inventor: **George R. Smallhorn, St-Laurent (CA)**

(73) Assignee: **INFLIGHT INVESTMENTS INC.,**  
St-Laurent, Quebec (CA)

(\*\*) Term: **14 Years**

(21) Appl. No.: **29/475,990**

(22) Filed: **Dec. 10, 2013**

(30) **Foreign Application Priority Data**

Jun. 10, 2013 (CA) ..... 151587

(51) **LOC (10) Cl.** ..... **12-07**

(52) **U.S. Cl.**  
USPC ..... **D12/345**

(58) **Field of Classification Search**  
USPC ..... D12/319-345, 195, 418; D13/162, 171;  
D6/356

CPC ..... B64D 11/00; B64D 11/0015; B64D  
11/0053; B64D 2013/003; B60Q 3/00; B60Q  
3/02

See application file for complete search history.

(56) **References Cited**

**U.S. PATENT DOCUMENTS**

3,370,813 A \* 2/1968 Albertine et al. .... 244/118.5  
D213,144 S 1/1969 Kraus et al. .... D71/1  
D244,018 S \* 4/1977 Greiss et al. .... D12/195  
D259,038 S 4/1981 Smith ..... D12/195  
D261,387 S 10/1981 Weitz et al. .... D12/192  
D281,940 S 12/1985 Steventon et al. .... D6/492  
D295,042 S 4/1988 Steventon et al. .... D14/77  
5,707,028 A \* 1/1998 Roeper ..... 244/118.5  
D439,425 S \* 3/2001 Park et al. .... D6/356

D443,990 S \* 6/2001 Beroth ..... D6/356  
D455,390 S \* 4/2002 Granzeier et al. .... D12/345  
6,425,773 B2 7/2002 Mosebach et al. .... 439/137  
6,454,209 B1 \* 9/2002 Bock et al. .... 244/118.5  
6,634,904 B2 10/2003 Rowland et al. .... 439/534  
D481,687 S \* 11/2003 Moriya et al. .... D13/171  
D487,981 S \* 4/2004 Ludeke et al. .... D6/356  
6,817,894 B2 11/2004 Sanner et al. .... 439/535  
6,835,068 B2 12/2004 Pappas et al. .... 439/34  
6,843,681 B2 1/2005 Sanner ..... 439/536  
6,860,554 B2 3/2005 Lambiaso ..... 297/217.3  
7,047,112 B2 5/2006 Riedel et al. .... 701/3  
D562,779 S \* 2/2008 Lamoree et al. .... D13/171

(Continued)

**FOREIGN PATENT DOCUMENTS**

CN 202354885 8/2012 ..... A47C 1/121  
EP 1137109 9/2001 ..... H01R 13/44

(Continued)

*Primary Examiner* — Martie K Holtje

(74) *Attorney, Agent, or Firm* — Kusner & Jaffe

(57) **CLAIM**

The ornamental design for an aircraft passenger control unit with electric power outlet, as shown and described.

**DESCRIPTION**

FIG. 1 is a top perspective view of an aircraft passenger control unit with electric power outlet showing my new design;

FIG. 2 is a top perspective view thereof, of the end opposite that shown in FIG. 1;

FIG. 3 is an end elevational view thereof;

FIG. 4 is an end elevational view of the end opposite that shown in FIG. 3;

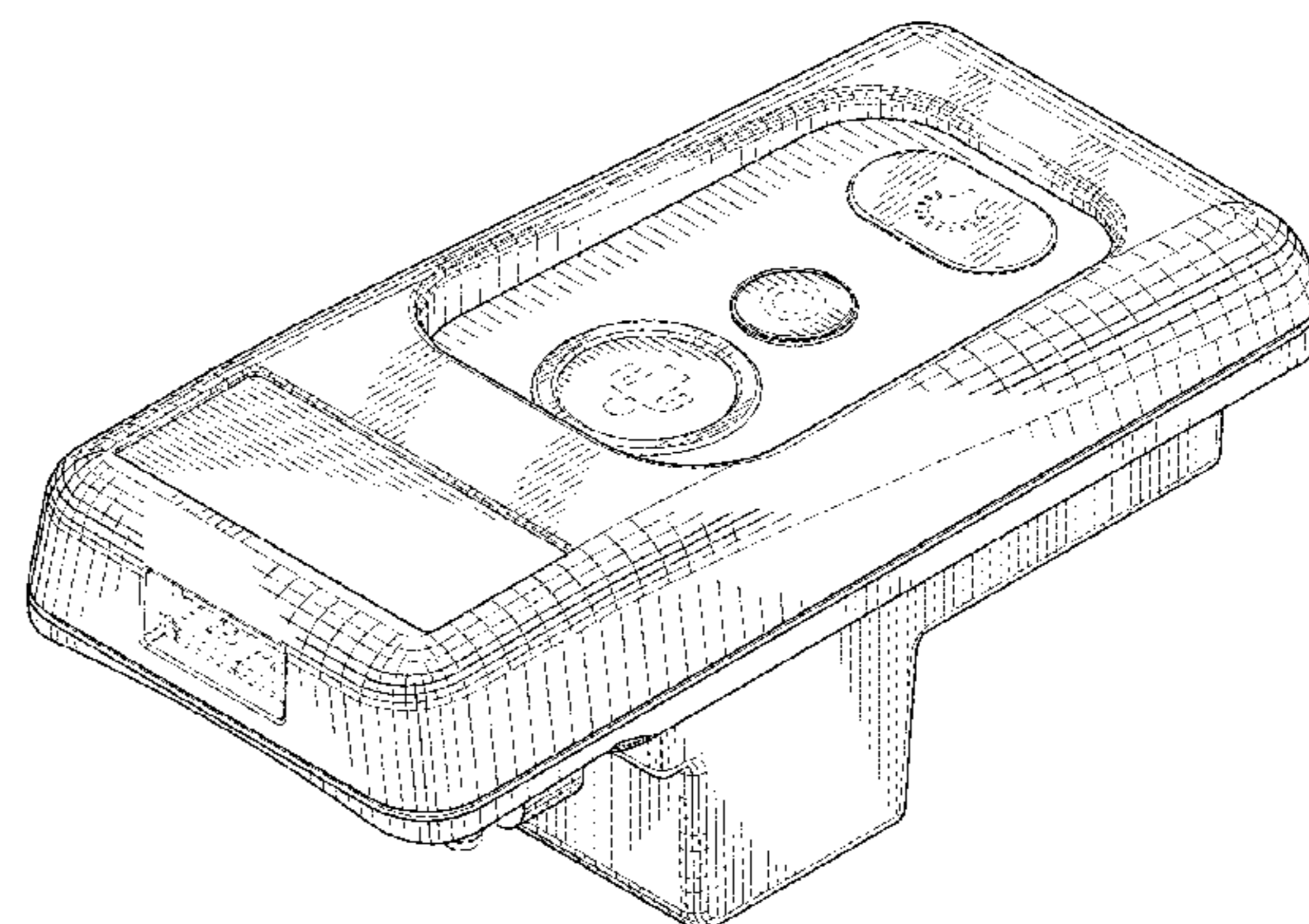
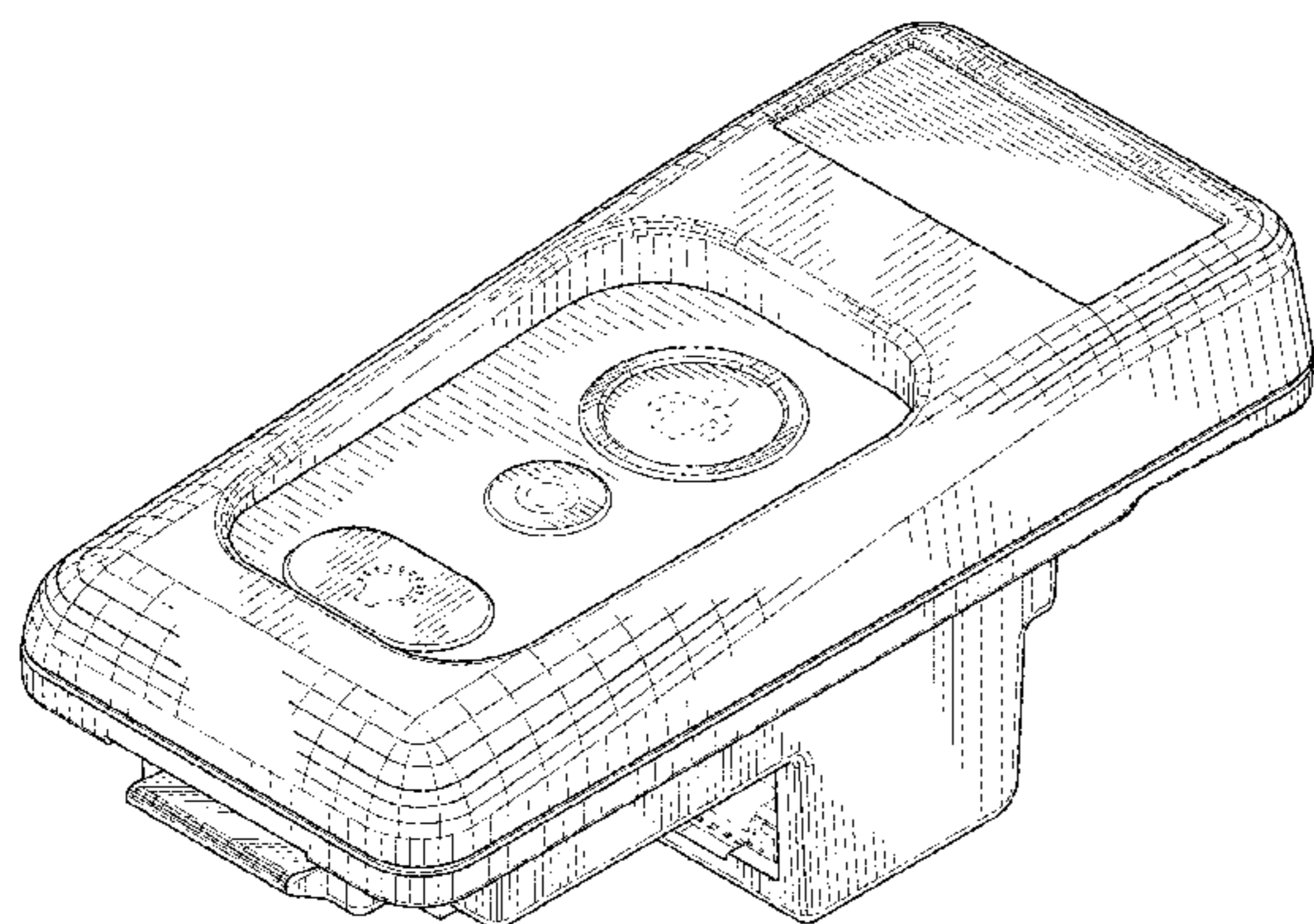
FIG. 5 is a side elevational view thereof;

FIG. 6 is a side elevational view of the side opposite that shown in FIG. 5;

FIG. 7 is a top plan view thereof; and,

FIG. 8 is a bottom plan view thereof.

**1 Claim, 6 Drawing Sheets**



(56)

References Cited

U.S. PATENT DOCUMENTS

D583,749 S \* 12/2008 Aruga et al. .... D12/418  
 D600,623 S \* 9/2009 Fiedler et al. .... D12/345  
 D613,669 S 4/2010 Coffins et al. .... D12/345  
 7,766,293 B2 8/2010 Seidl et al. .... 248/311.2  
 D628,529 S 12/2010 Fiedler et al. .... D12/345  
 8,321,611 B2 11/2012 Francois et al. .... 710/62  
 8,360,365 B2 1/2013 Rahlff ..... 244/118.5  
 D677,639 S 3/2013 Margis et al. .... D14/129  
 8,430,358 B2 4/2013 Schneider et al. .... 244/118.5  
 D690,255 S \* 9/2013 Schutterra et al. .... D12/345  
 2002/0109647 A1 8/2002 Crandall et al. .... G09G 5/00  
 2004/0235469 A1 11/2004 Krug ..... 455/431  
 2006/0075934 A1 4/2006 Ram ..... 108/44  
 2006/0267994 A1 11/2006 Pfleging et al. .... 345/530  
 2006/0288377 A1 12/2006 Hsieh ..... 725/76  
 2008/0001583 A1 1/2008 Brown et al. .... 323/234  
 2009/0079705 A1 \* 3/2009 Sizelove et al. .... 345/173  
 2009/0249408 A1 10/2009 Smallhorn ..... 725/75

2010/0187903 A1 7/2010 Diab et al. .... 307/9.1  
 2010/0295340 A1 11/2010 Stangl et al. .... 297/188.01  
 2011/0003505 A1 1/2011 Greig et al. .... 439/540.1  
 2011/0079682 A1 4/2011 Raybell et al. .... 244/122  
 2011/0162015 A1 6/2011 Holyoake et al. .... 725/76  
 2011/0174926 A1 7/2011 Margis et al.  
 2011/0219408 A1 9/2011 Frisco et al. .... 725/77  
 2011/0219409 A1 9/2011 Frisco et al. .... 725/77  
 2012/0032027 A1 \* 2/2012 Gehm et al. .... 244/118.5  
 2012/0039048 A1 2/2012 Mondragon et al. .... 361/733  
 2012/0228426 A1 9/2012 Schneider et al. .... 244/118.5  
 2012/0250879 A1 10/2012 Moody ..... 381/86  
 2013/0001987 A1 1/2013 Heredia ..... 297/163  
 2013/0093220 A1 4/2013 Pajic ..... 297/163

FOREIGN PATENT DOCUMENTS

EP 1865591 12/2007 ..... H02M 3/156  
 EP 2106141 9/2009 ..... H04N 7/173  
 WO WO 03/024110 3/2003 ..... H04N 7/173

\* cited by examiner

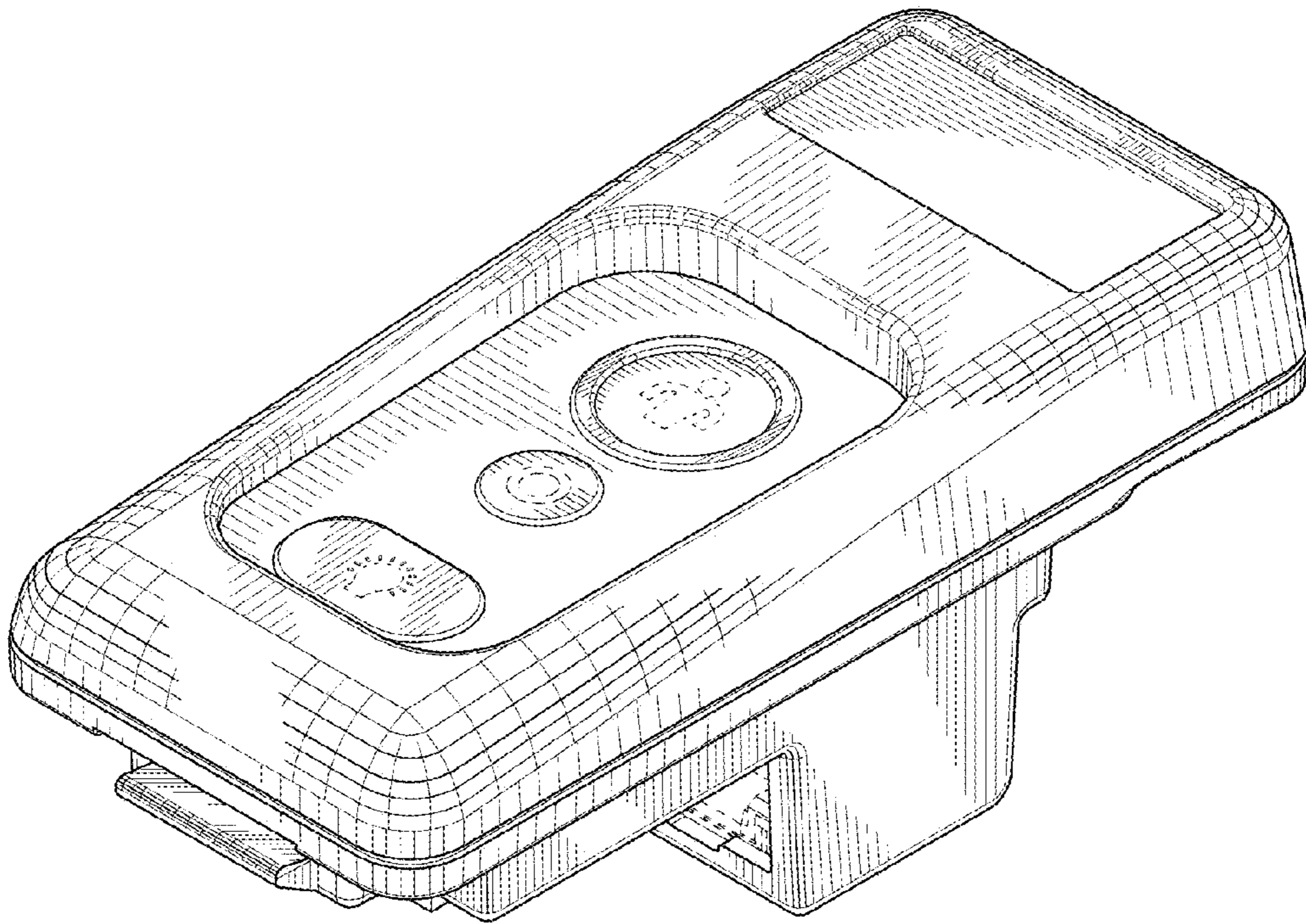


FIG.1

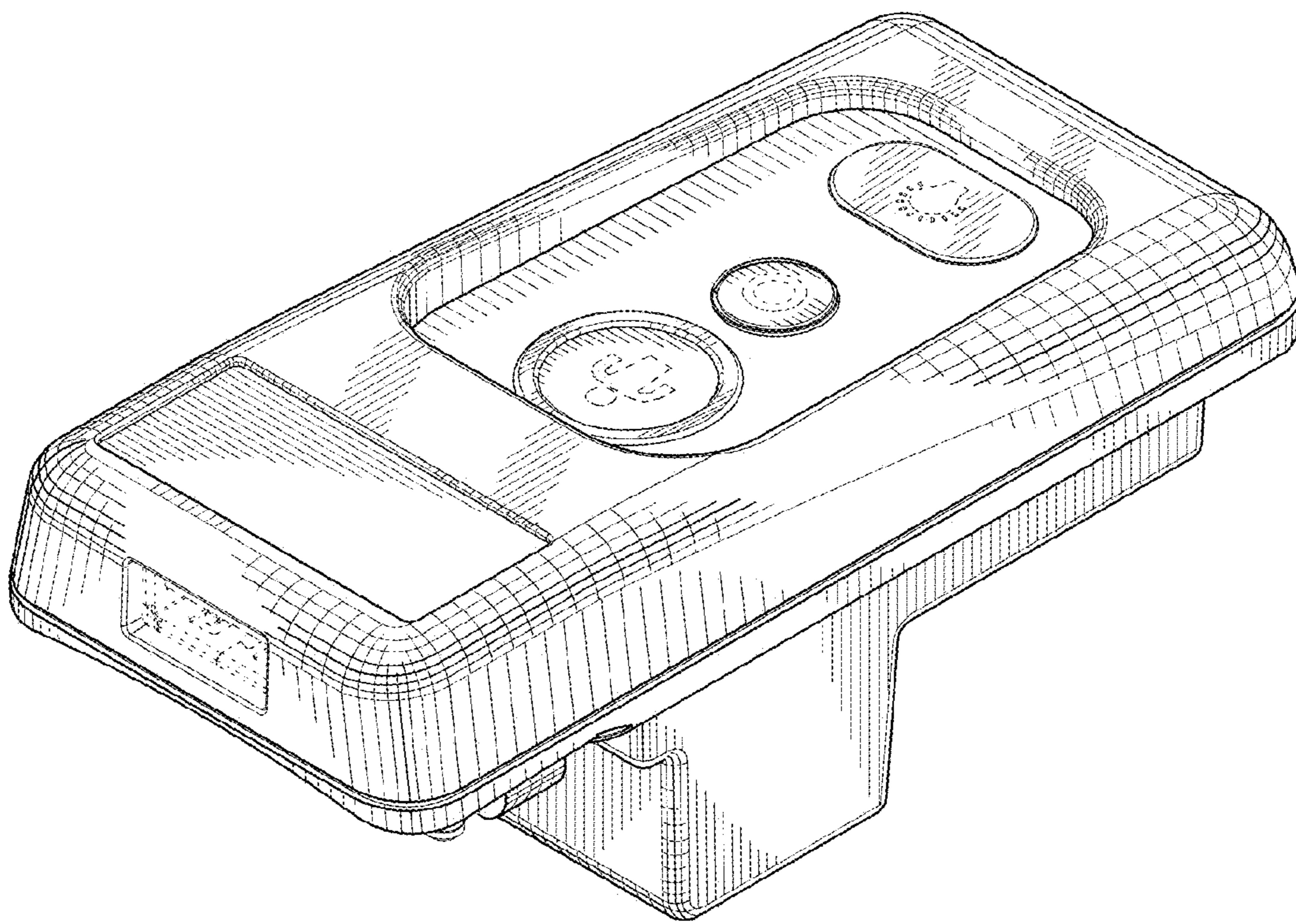


FIG.2

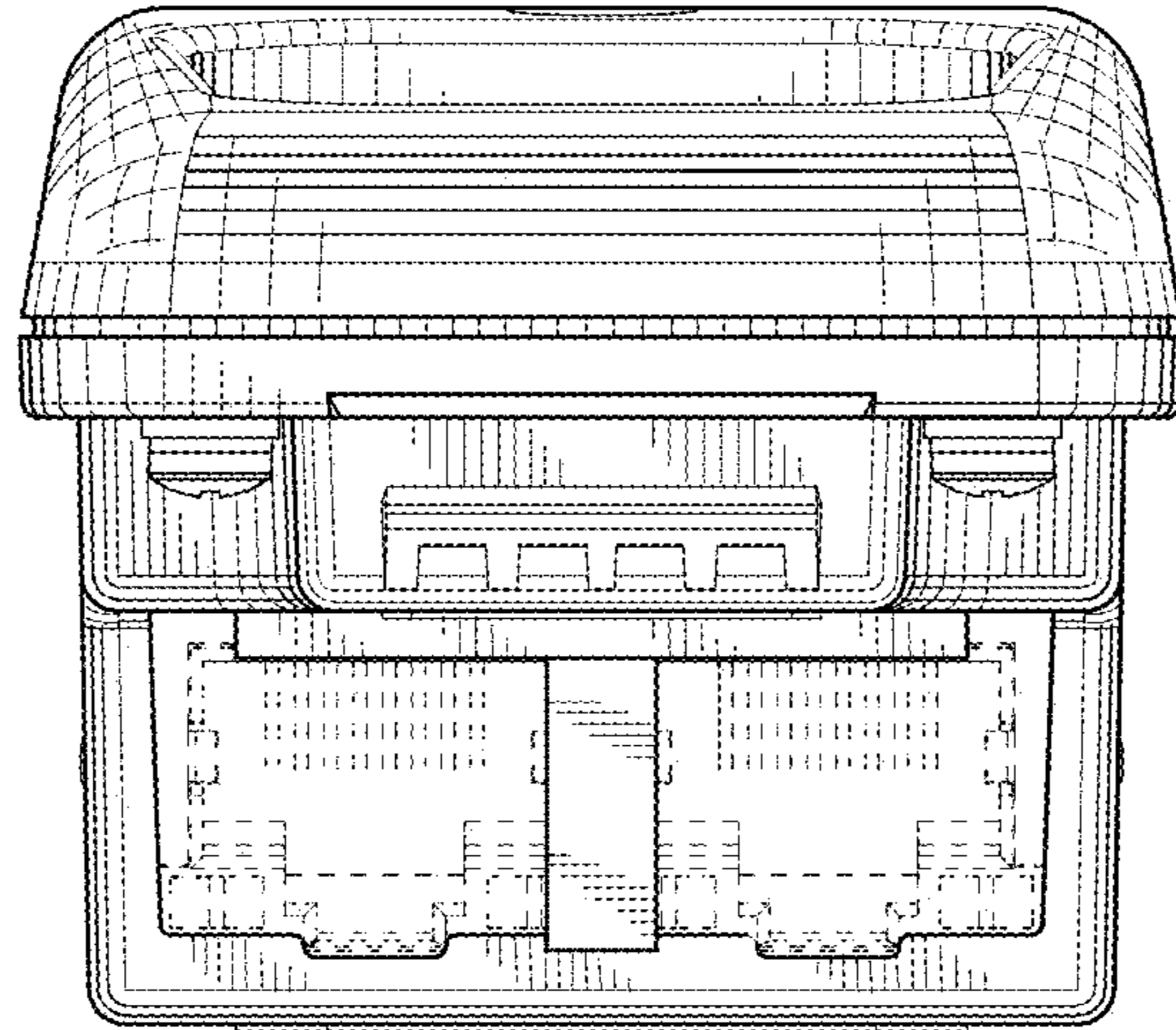


FIG. 3

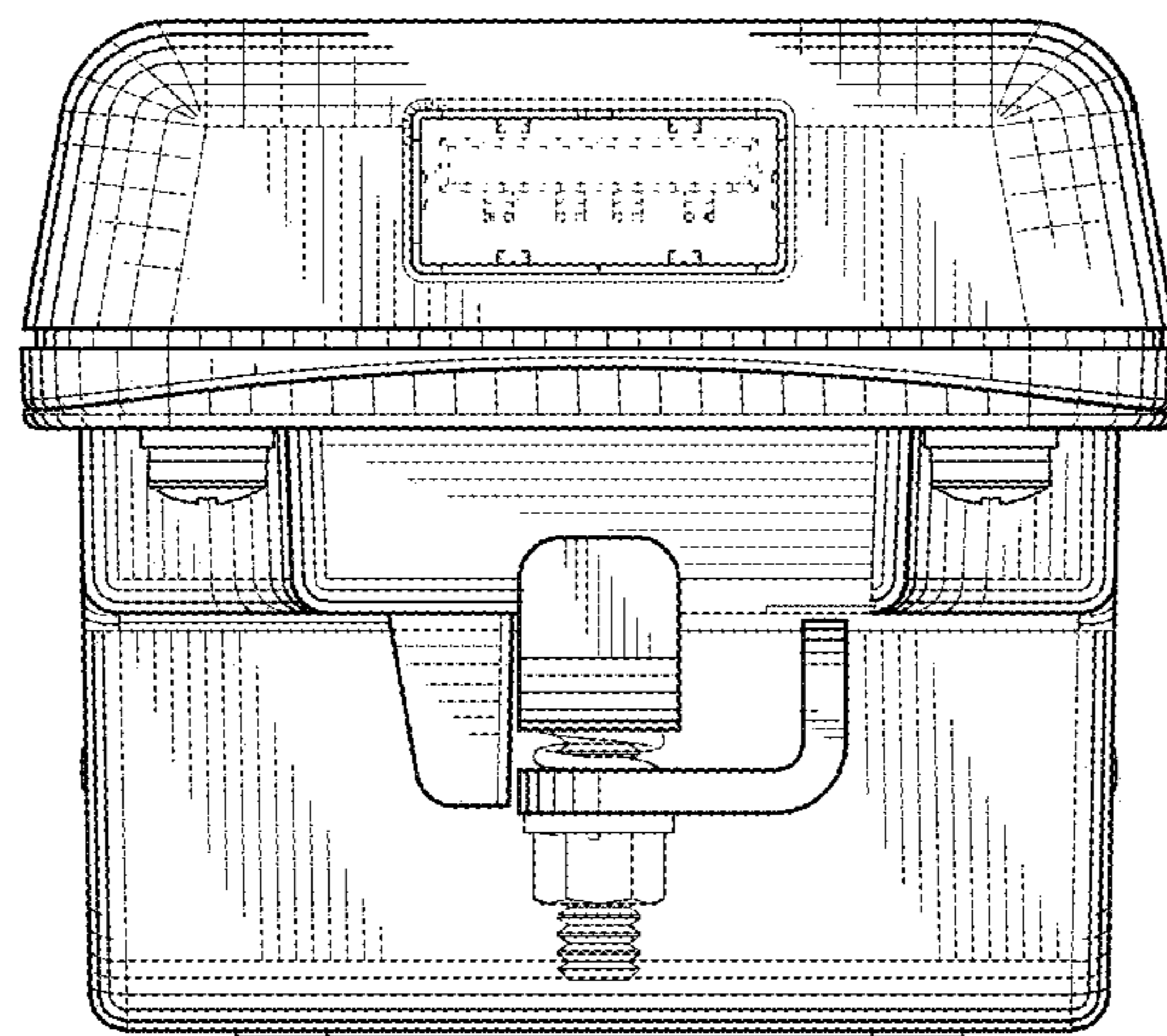


FIG. 4

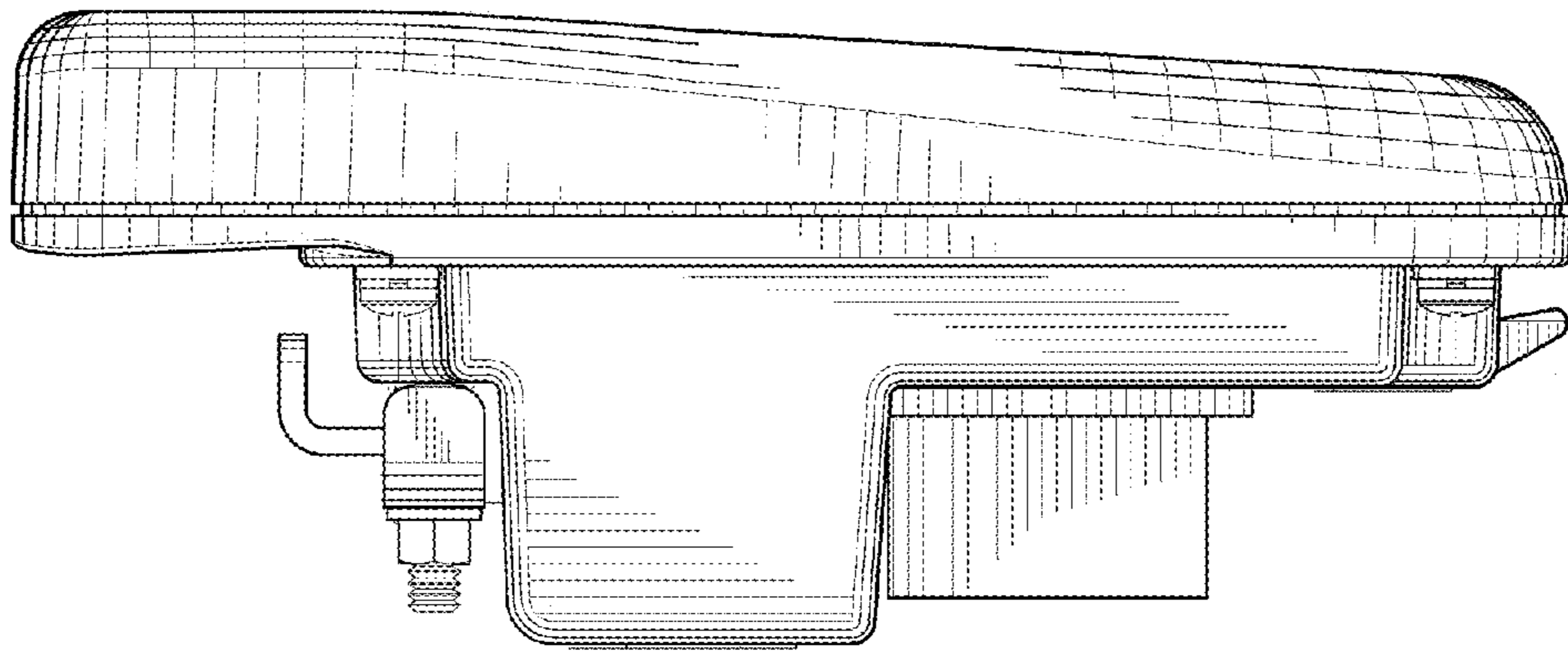


FIG.5

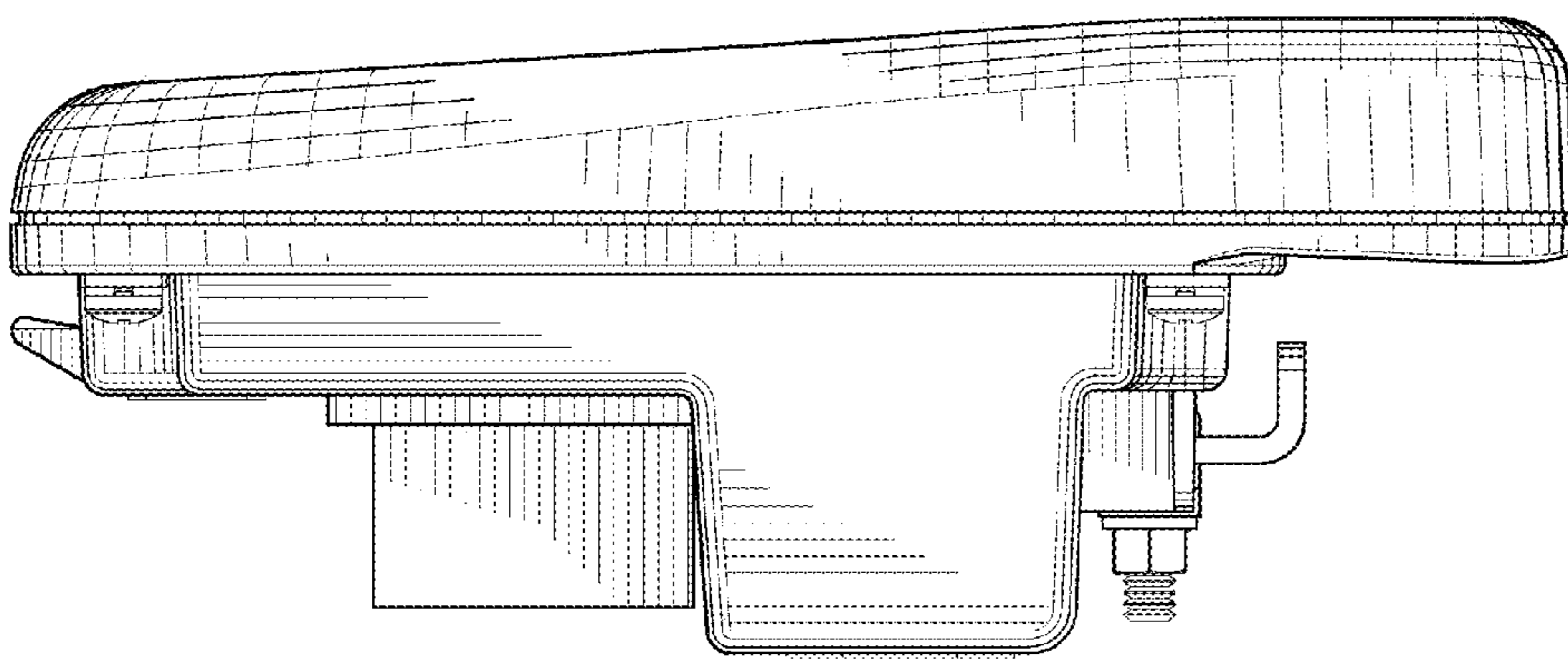


FIG.6

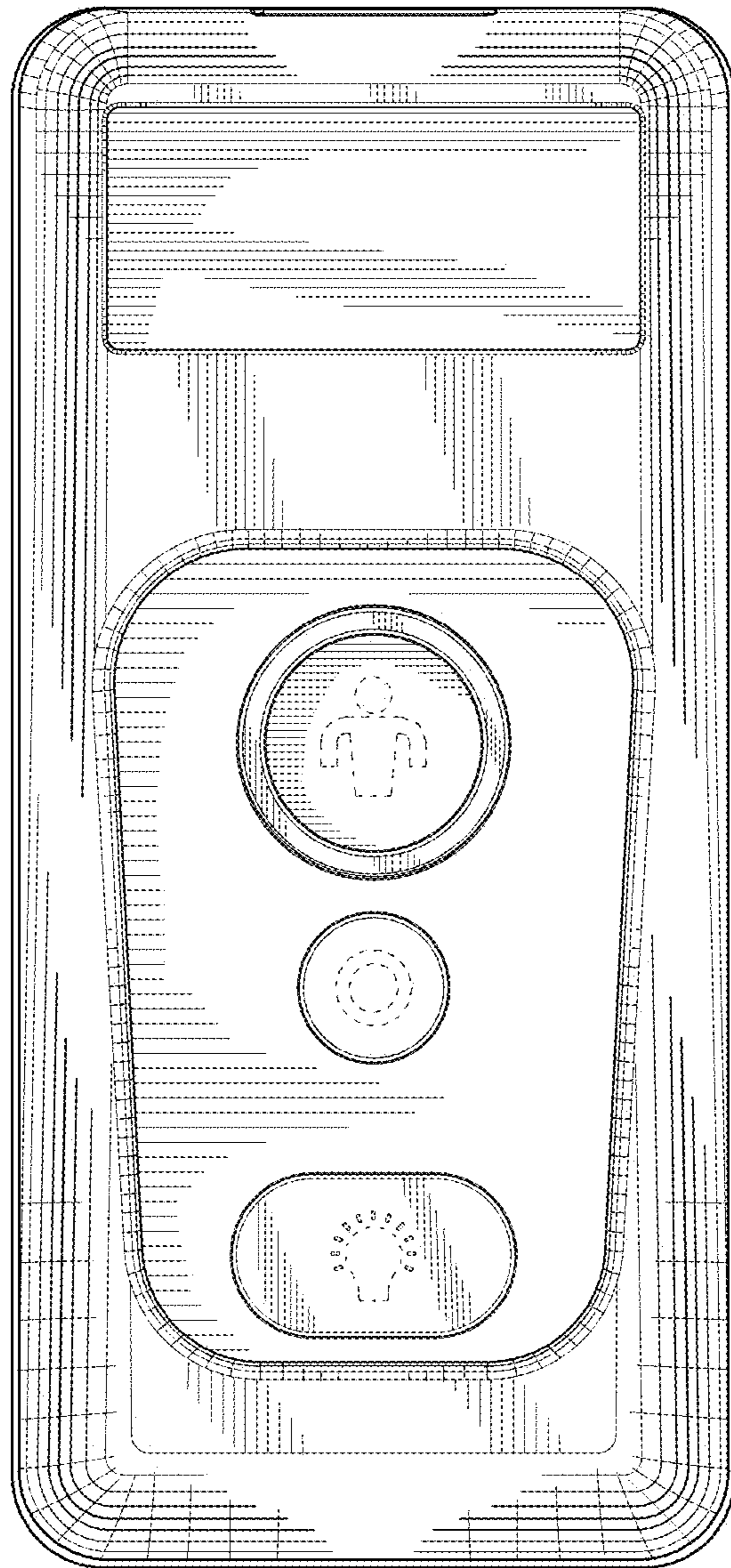


FIG.7

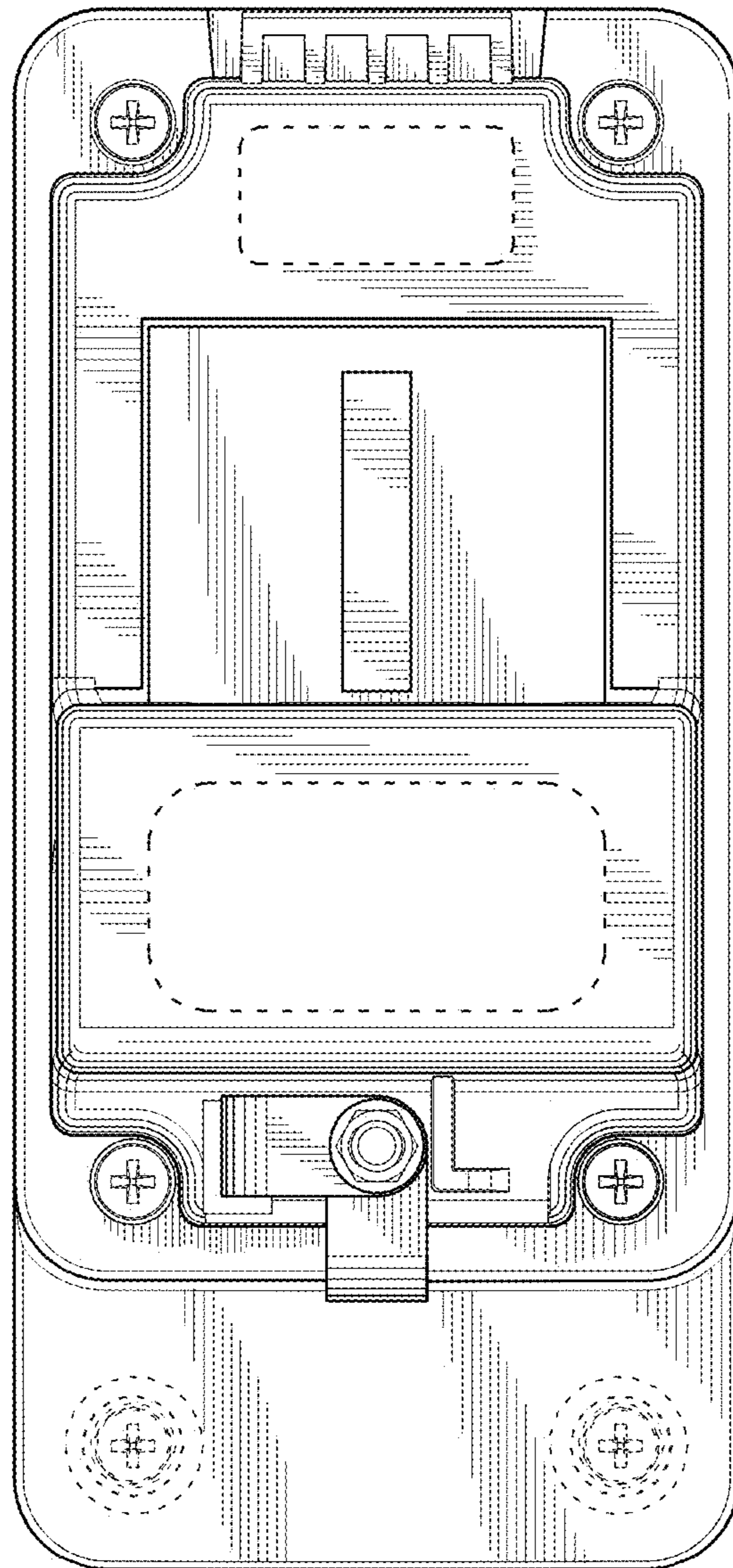


FIG.8