

US00D750006S

(12) **United States Design Patent**  
**Yamamoto**

(10) **Patent No.:** **US D750,006 S**  
(45) **Date of Patent:** **\*\* Feb. 23, 2016**

- (54) **WATER SCOOTER**
- (71) Applicant: **Hisashi Yamamoto**, Kyoto (JP)
- (72) Inventor: **Hisashi Yamamoto**, Kyoto (JP)
- (73) Assignee: **YAMAHA HATSUDOKI**  
**KABUSHIKI KAISHA** (JP)
- (\*\*) Term: **14 Years**
- (21) Appl. No.: **29/486,741**
- (22) Filed: **Apr. 2, 2014**

**Related U.S. Application Data**

- (63) Continuation of application No. 29/472,227, filed on Nov. 11, 2013, now abandoned, which is a continuation of application No. 29/440,749, filed on Dec. 27, 2012, now abandoned.

- (51) **LOC (10) Cl.** ..... **12-06**
- (52) **U.S. Cl.**  
USPC ..... **D12/307**
- (58) **Field of Classification Search**  
USPC ..... D12/6-11, 300-318; 114/55.5,  
114/55.51-55.58, 345; D21/770; 440/1, 2,  
440/42, 89 R  
CPC ..... B63B 35/73; B63B 35/731; F02B 61/045  
See application file for complete search history.

(56) **References Cited**

**U.S. PATENT DOCUMENTS**

D462,644 S *	9/2002	Aselton et al. ....	D12/307
D464,016 S	10/2002	Orr et al. ....	D12/307
D464,926 S	10/2002	Mizuta et al. ....	D12/307
D494,529 S *	8/2004	Cassell et al. ....	D12/307
6,880,475 B1 *	4/2005	Thompson ....	114/55.55
D513,225 S	12/2005	Omae et al. ....	D12/307
D516,006 S	2/2006	Bucaccio et al. ....	D12/307
7,018,251 B2 *	3/2006	Iwakami et al. ....	440/42
7,052,343 B2 *	5/2006	Ozaki et al. ....	440/89 R
7,163,425 B2 *	1/2007	Kamio ....	440/1

D550,603 S	9/2007	Cote et al. ....	D12/307
D558,122 S	12/2007	Tanaka et al. ....	D12/307
D569,330 S	5/2008	Hattori et al. ....	D12/307
D569,781 S	5/2008	Hattori et al. ....	D12/307
D575,720 S	8/2008	Kato et al. ....	D12/307
D603,319 S	11/2009	Cote et al. ....	D12/307
D608,719 S	1/2010	Cote et al. ....	D12/307
7,699,010 B2	4/2010	Spade et al. ....	114/55.57
7,856,937 B2 *	12/2010	Chapdelaine et al. ....	114/55.5
D630,152 S	1/2011	Yamamoto ....	D12/307
D632,632 S	2/2011	Cote ....	D12/307
D637,544 S	5/2011	Cote et al. ....	D12/307
D650,317 S	12/2011	Yamamoto ....	D12/307
D686,967 S	7/2013	Yamamoto ....	D12/307
8,505,475 B2 *	8/2013	Otsuka et al. ....	114/55.5
D693,286 S	11/2013	Cote et al. ....	D12/307
2004/0007167 A1	1/2004	Cassell ....	114/55.57
2004/0168622 A1	9/2004	Thompson et al. ....	114/55.5
2006/0040570 A1	2/2006	Tsumiyama ....	440/2
2009/0194010 A1 *	8/2009	Spade et al. ....	114/55.57
2012/0180715 A1 *	7/2012	Otsuka et al. ....	114/363

\* cited by examiner

*Primary Examiner* — Cynthia M Chin

(74) *Attorney, Agent, or Firm* — Ostrolenk Faber LLP

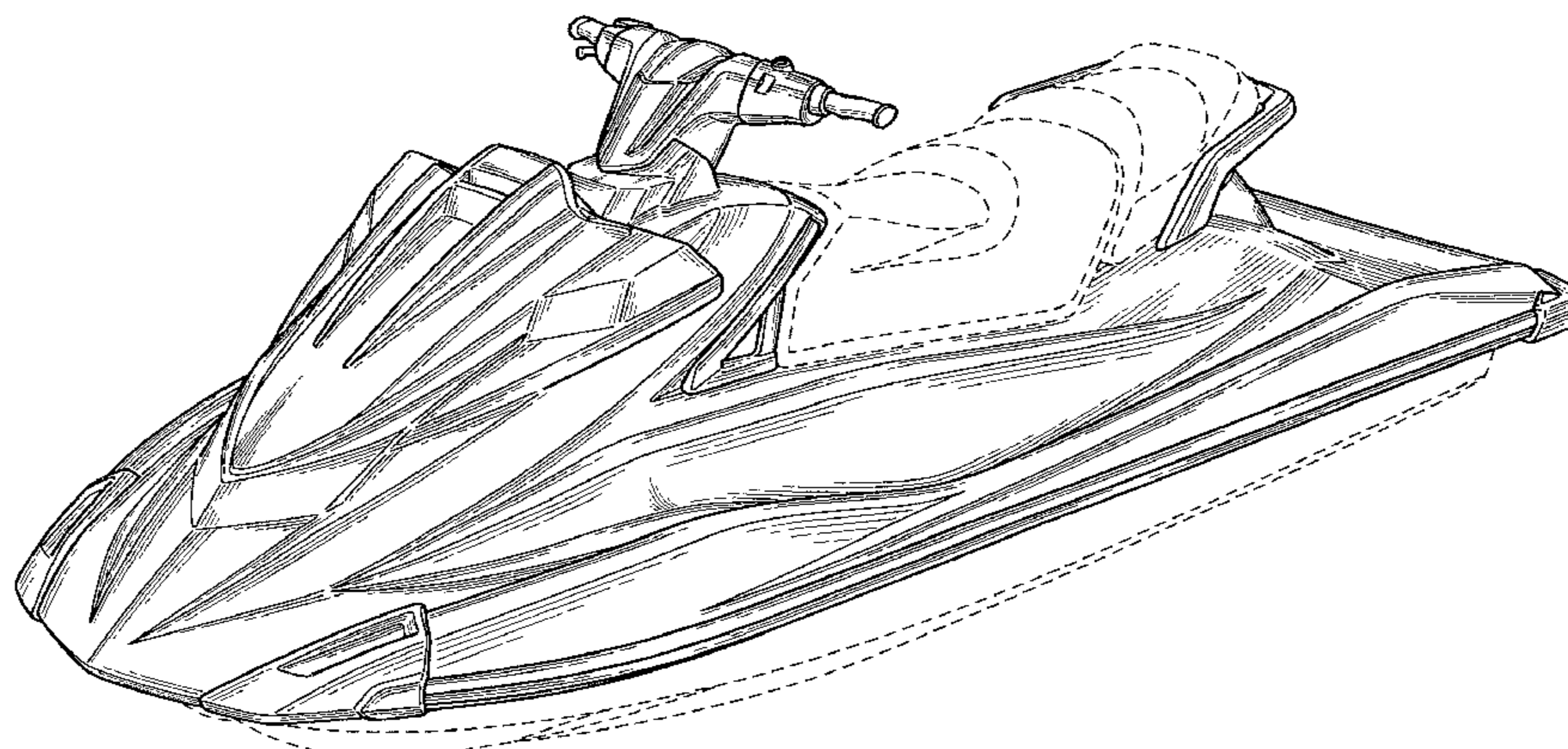
(57) **CLAIM**

The ornamental design for a water scooter, as shown and described.

**DESCRIPTION**

FIG. 1 is a front, right side, perspective view of a water scooter showing my new design;  
 FIG. 2 is a rear, left side, perspective view thereof;  
 FIG. 3 is a front view thereof;  
 FIG. 4 is a rear view thereof;  
 FIG. 5 is a left side view thereof;  
 FIG. 6 is a right side view thereof;  
 FIG. 7 is a top view thereof; and,  
 FIG. 8 is a bottom view thereof.  
 The broken lines in the drawings illustrate environmental material that forms no part of the claimed design.

**1 Claim, 8 Drawing Sheets**



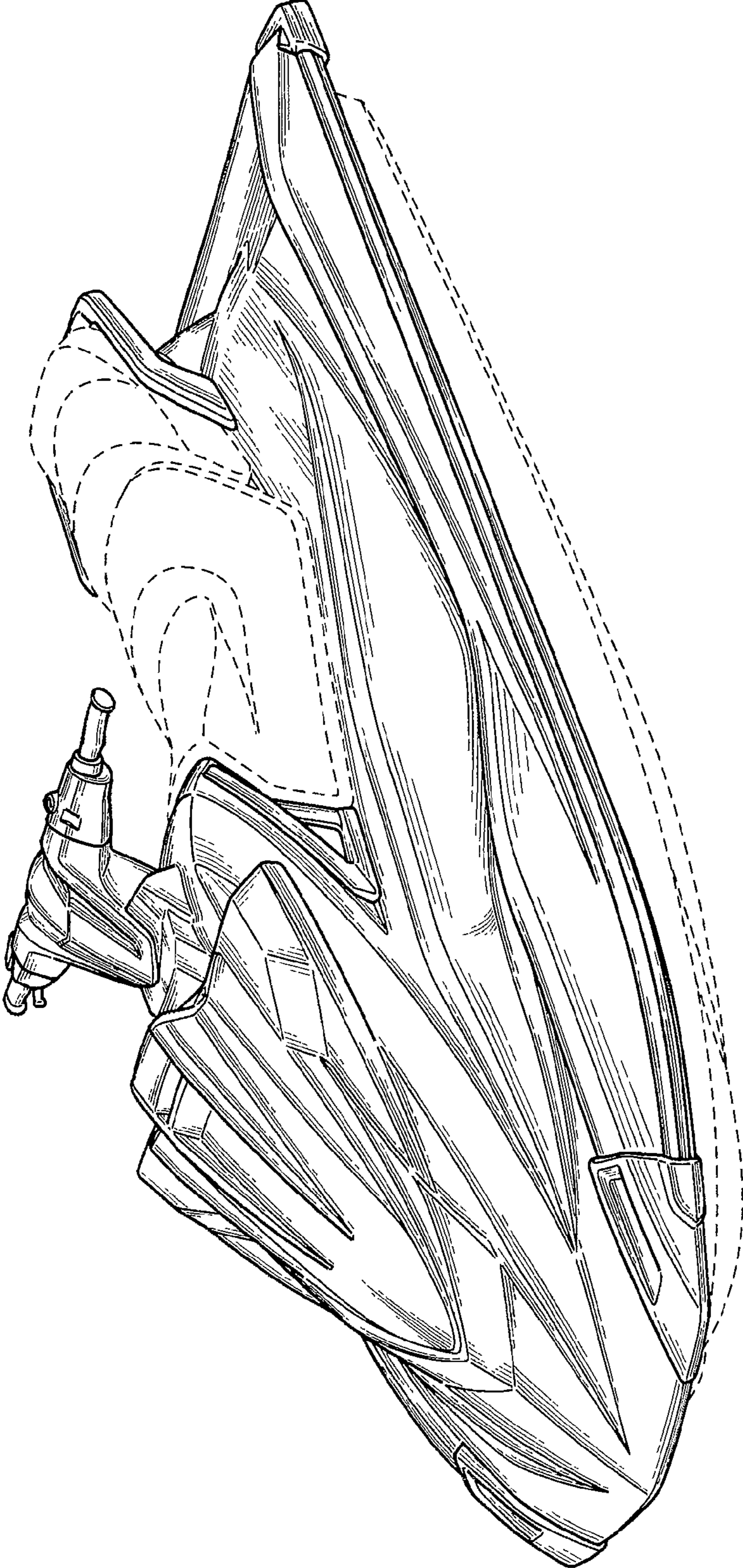


FIG. 1

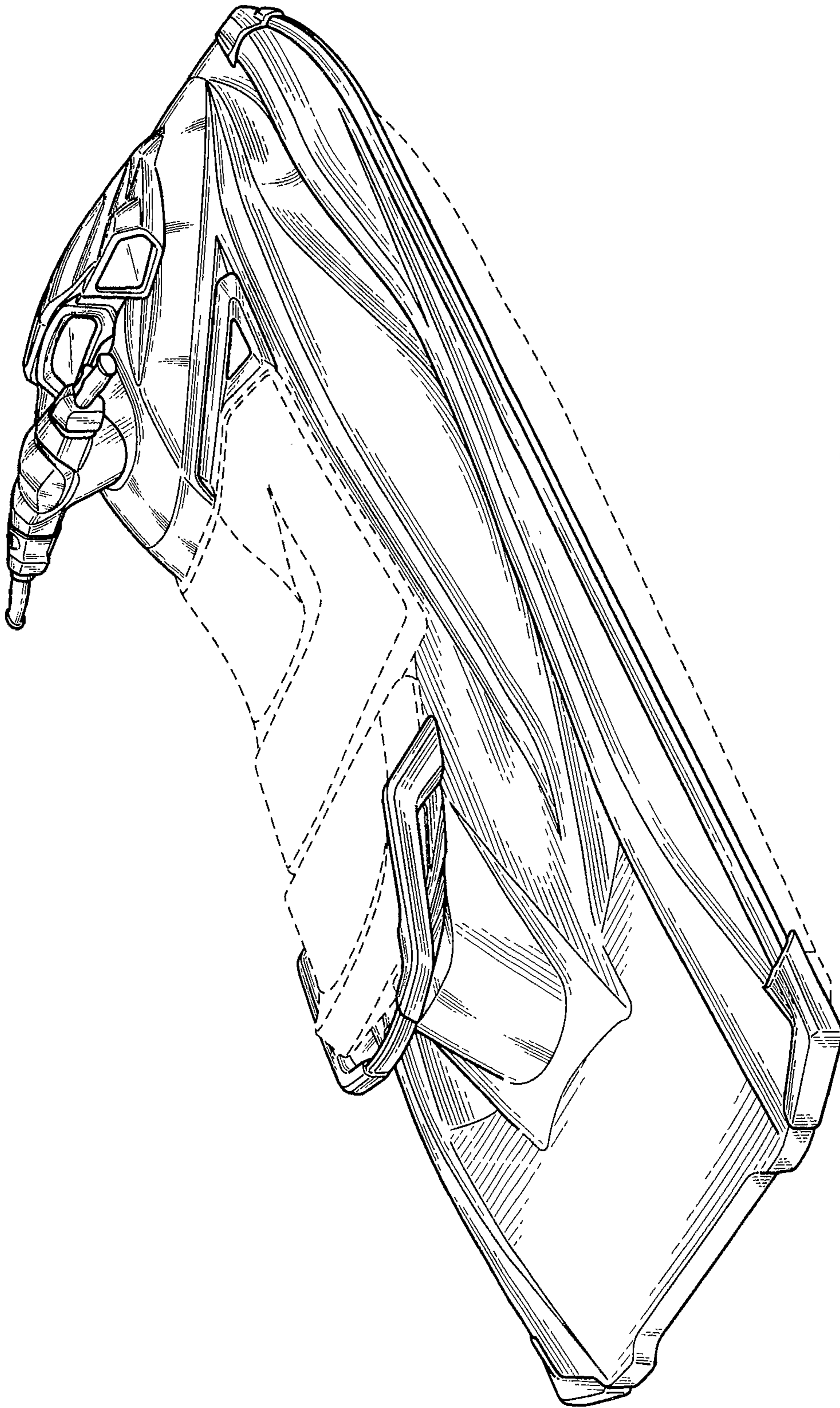


FIG. 2

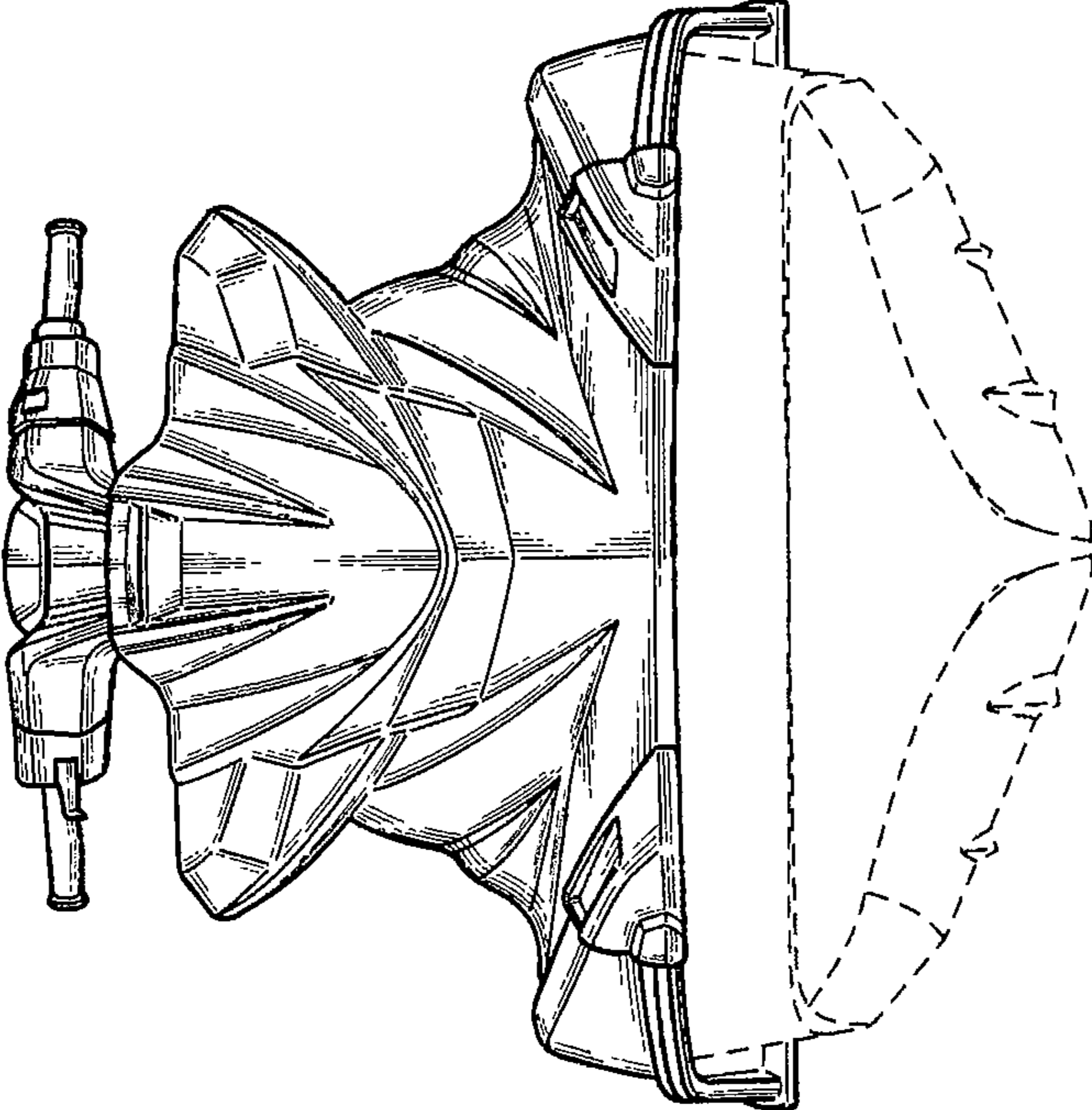


FIG. 3

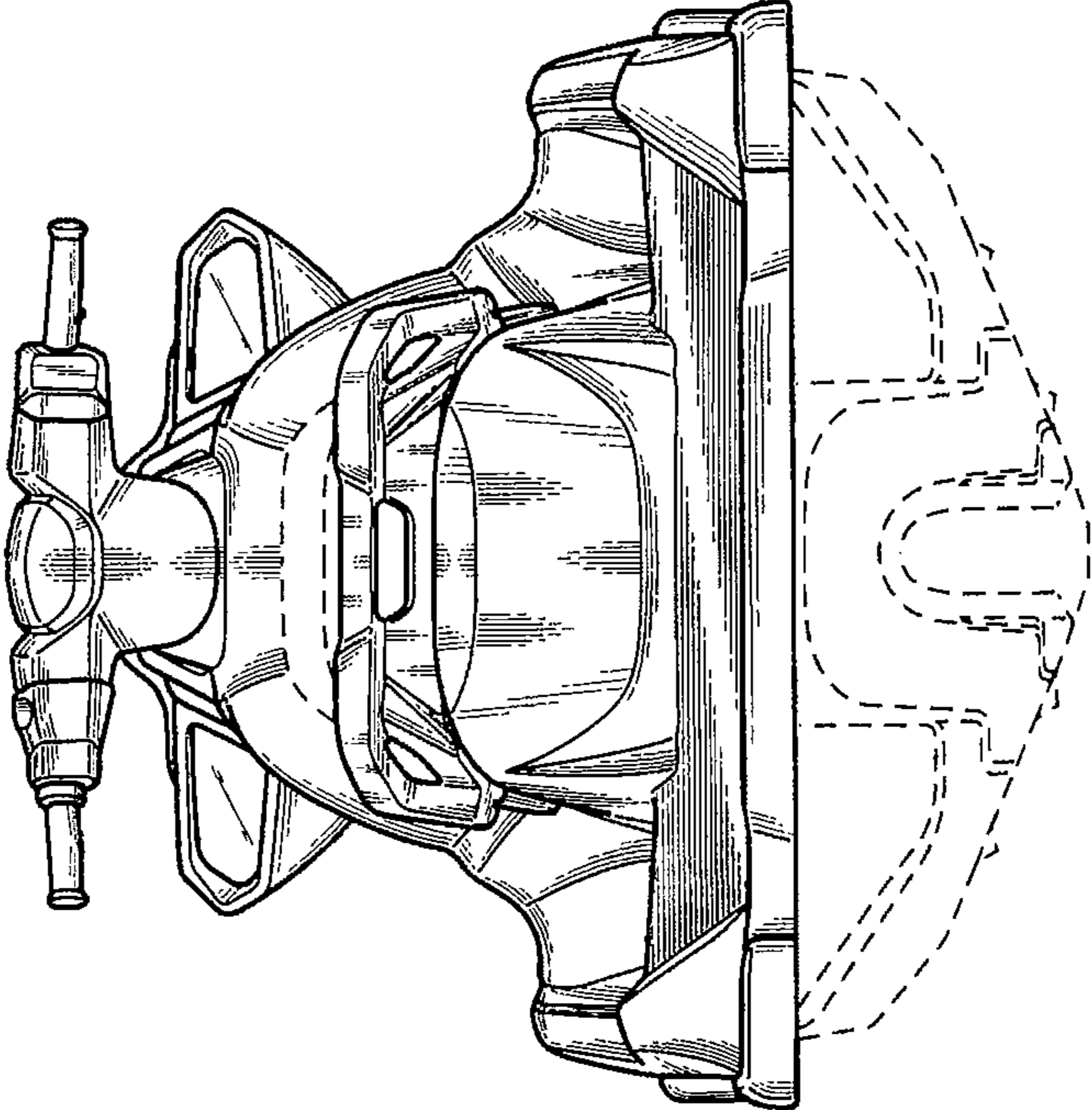


FIG. 4

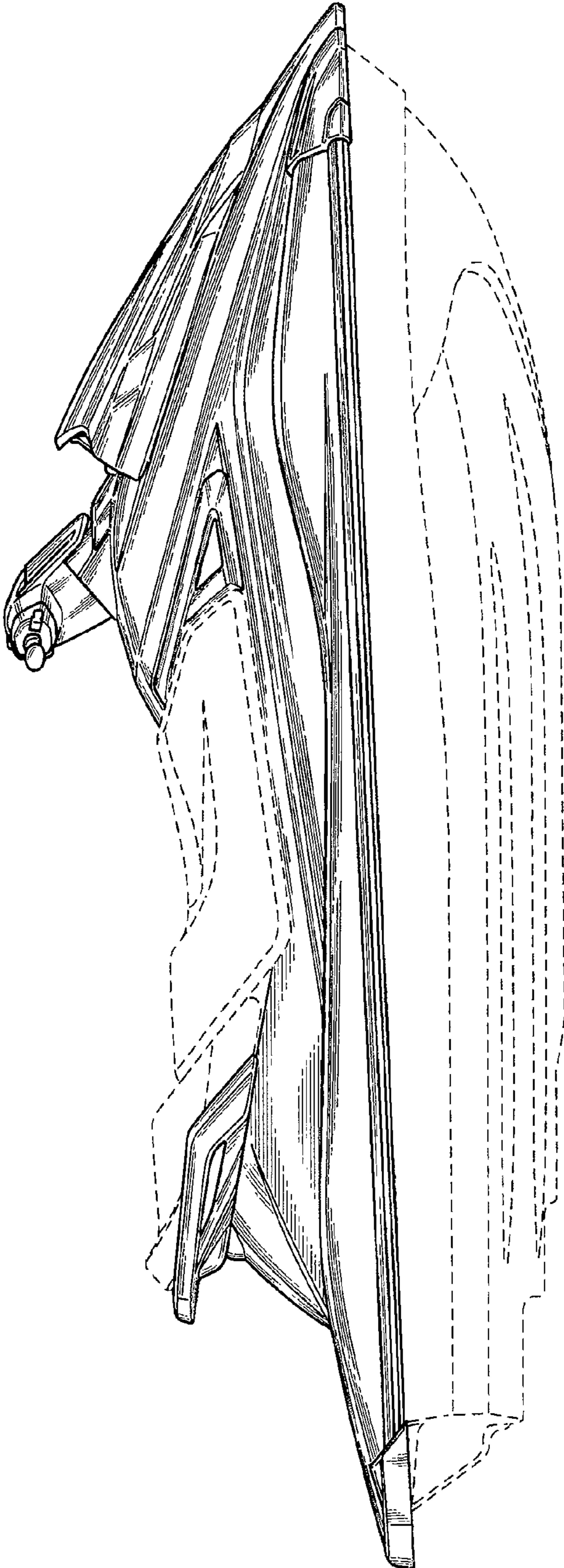


FIG. 5

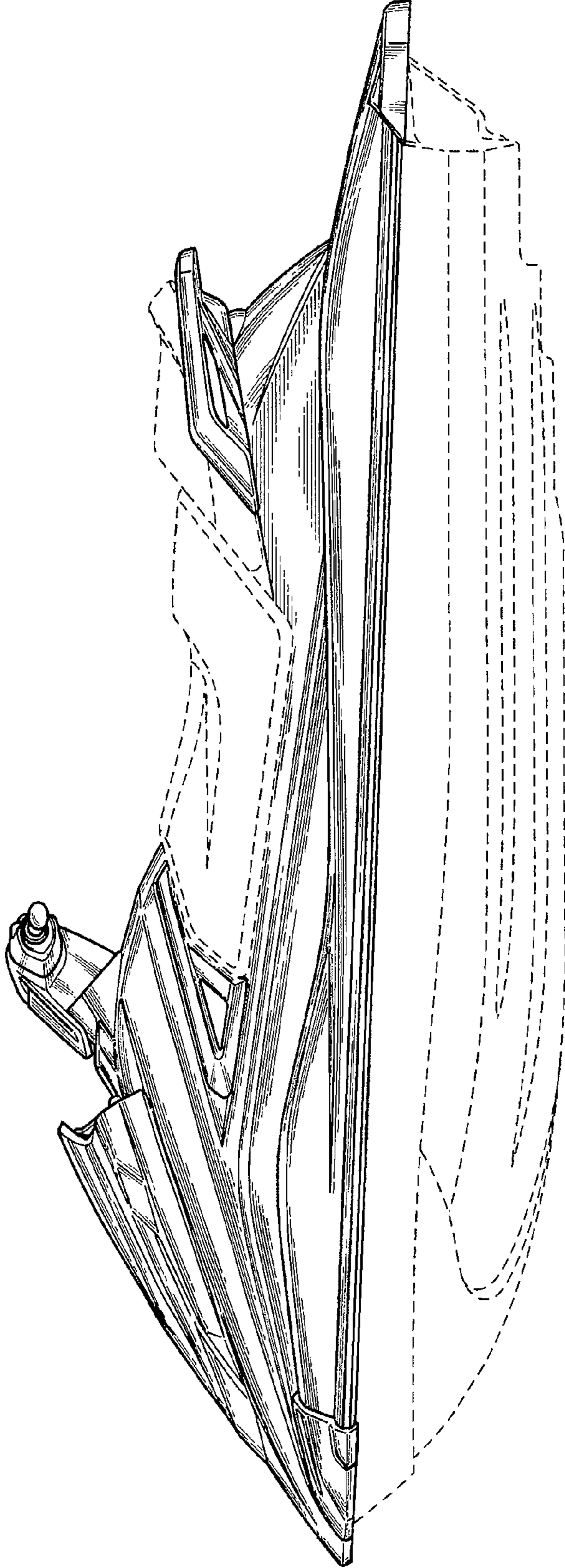


FIG. 6

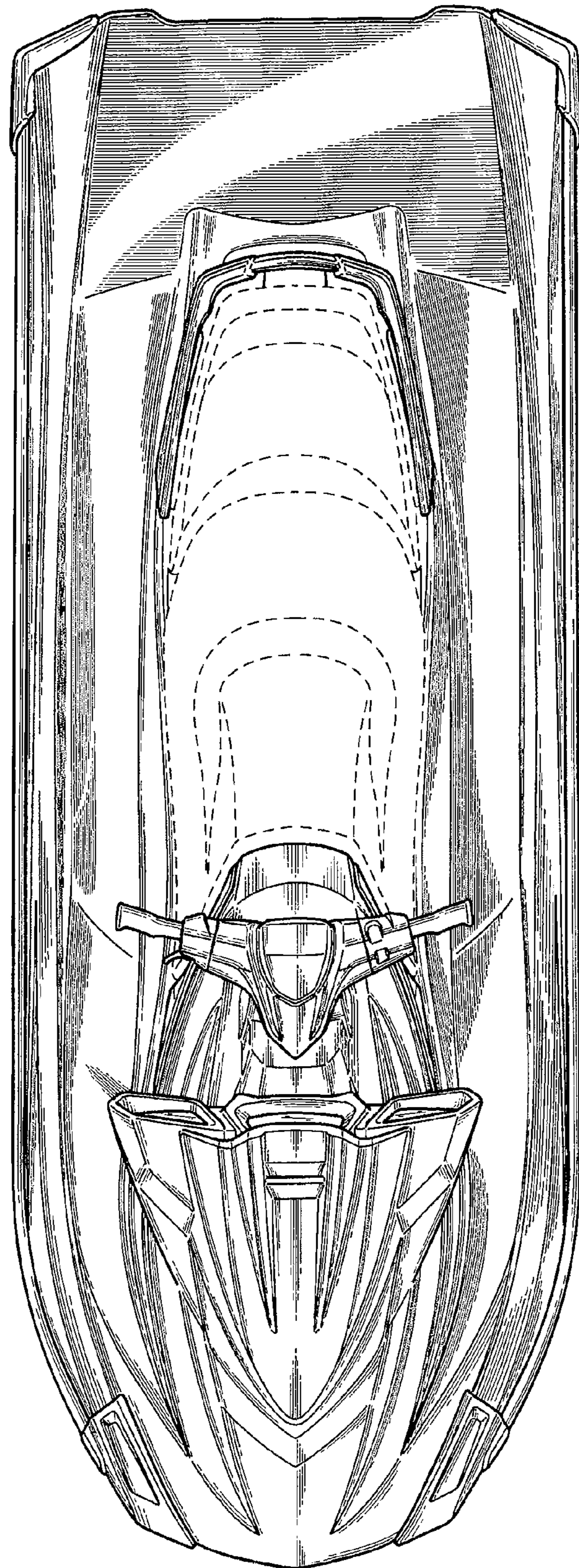


FIG. 7



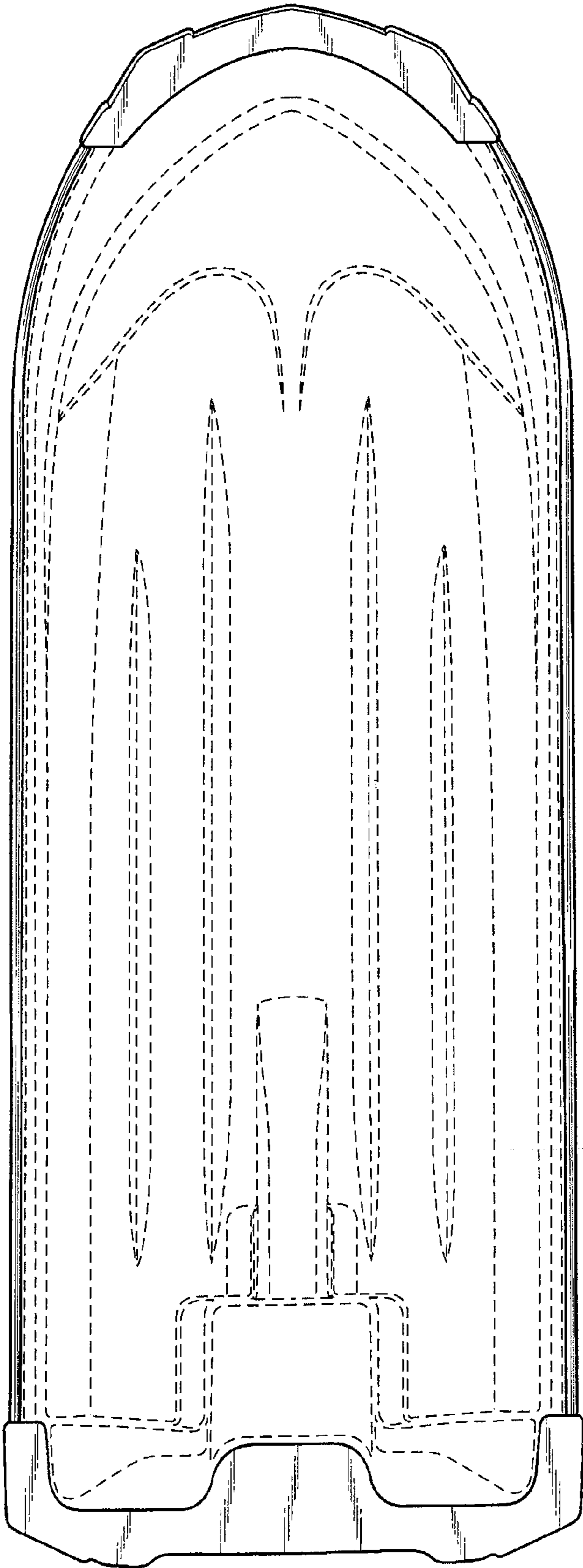


FIG. 8