



US00D750004S

(12) **United States Design Patent**
Chung

(10) **Patent No.:** **US D750,004 S**

(45) **Date of Patent:** **** Feb. 23, 2016**

(54) **AUTOMOTIVE WHEEL**

(71) Applicant: **Suny Chung**, Anaheim, CA (US)

(72) Inventor: **Suny Chung**, Anaheim, CA (US)

(**) Term: **15 Years**

(21) Appl. No.: **29/542,050**

(22) Filed: **Oct. 9, 2015**

(51) **LOC (10) Cl.** **12-16**

(52) **U.S. Cl.**
USPC **D12/211**

(58) **Field of Classification Search**
USPC D12/204-213
CPC B60B 7/00; B60B 7/02; B60B 7/04;
B60B 7/01; B60B 7/06; B60B 3/02; B60B
3/04; B60B 3/06; B60B 3/10; B60B 1/00;
B60B 1/08; B60B 1/10; B60B 1/12
See application file for complete search history.

(56) **References Cited**

U.S. PATENT DOCUMENTS

D403,289 S * 12/1998 Watanabe D12/209
D484,085 S * 12/2003 Tirado D12/211

D500,004 S * 12/2004 Szavits D12/211
D524,220 S * 7/2006 Scheu D12/211
D566,641 S * 4/2008 Fuligni D12/211
D579,397 S * 10/2008 Osborne D12/211
D581,853 S * 12/2008 Rak D12/211
D584,672 S * 1/2009 Osborne D12/209
D597,013 S * 7/2009 Chung D12/211
D638,771 S * 5/2011 Chung D12/211
D669,011 S * 10/2012 Chung D12/211
D708,112 S * 7/2014 Mays D12/211
D714,706 S * 10/2014 Chung D12/211
D733,027 S * 6/2015 Chung D12/211
D734,705 S * 7/2015 Chung D12/211
D744,932 S * 12/2015 Kobayashi D12/211

* cited by examiner

Primary Examiner — Stacia Cadmus

(57) **CLAIM**

The ornamental design for an automotive wheel, as shown and described.

DESCRIPTION

FIG. 1 is a perspective view of an automotive wheel, showing my new design; and, FIG. 2 is a front view thereof. The broken line showing of the rear portion of the wheel is included for the purpose of illustrating environment and forms no part of the claimed design.

1 Claim, 2 Drawing Sheets

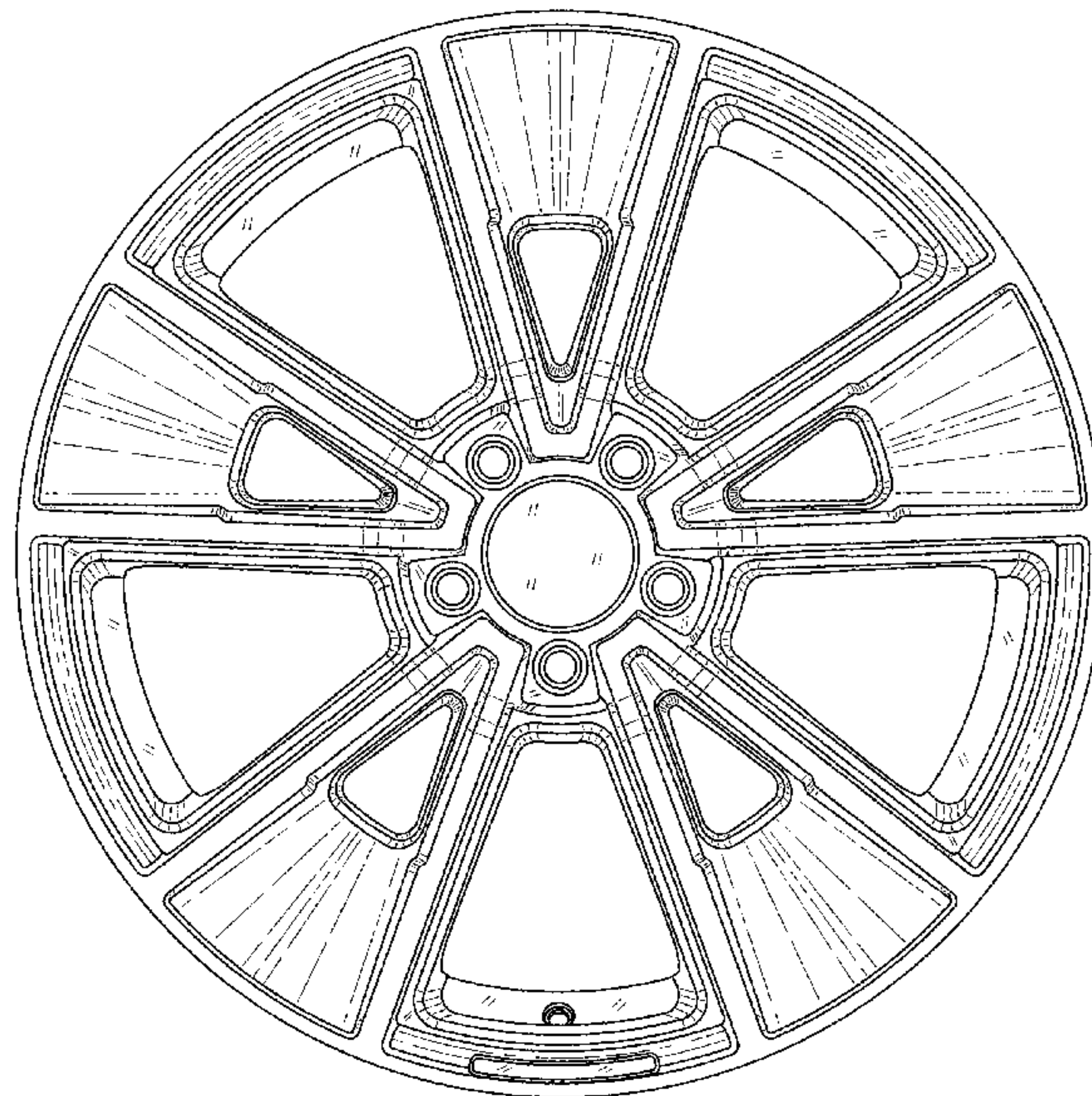
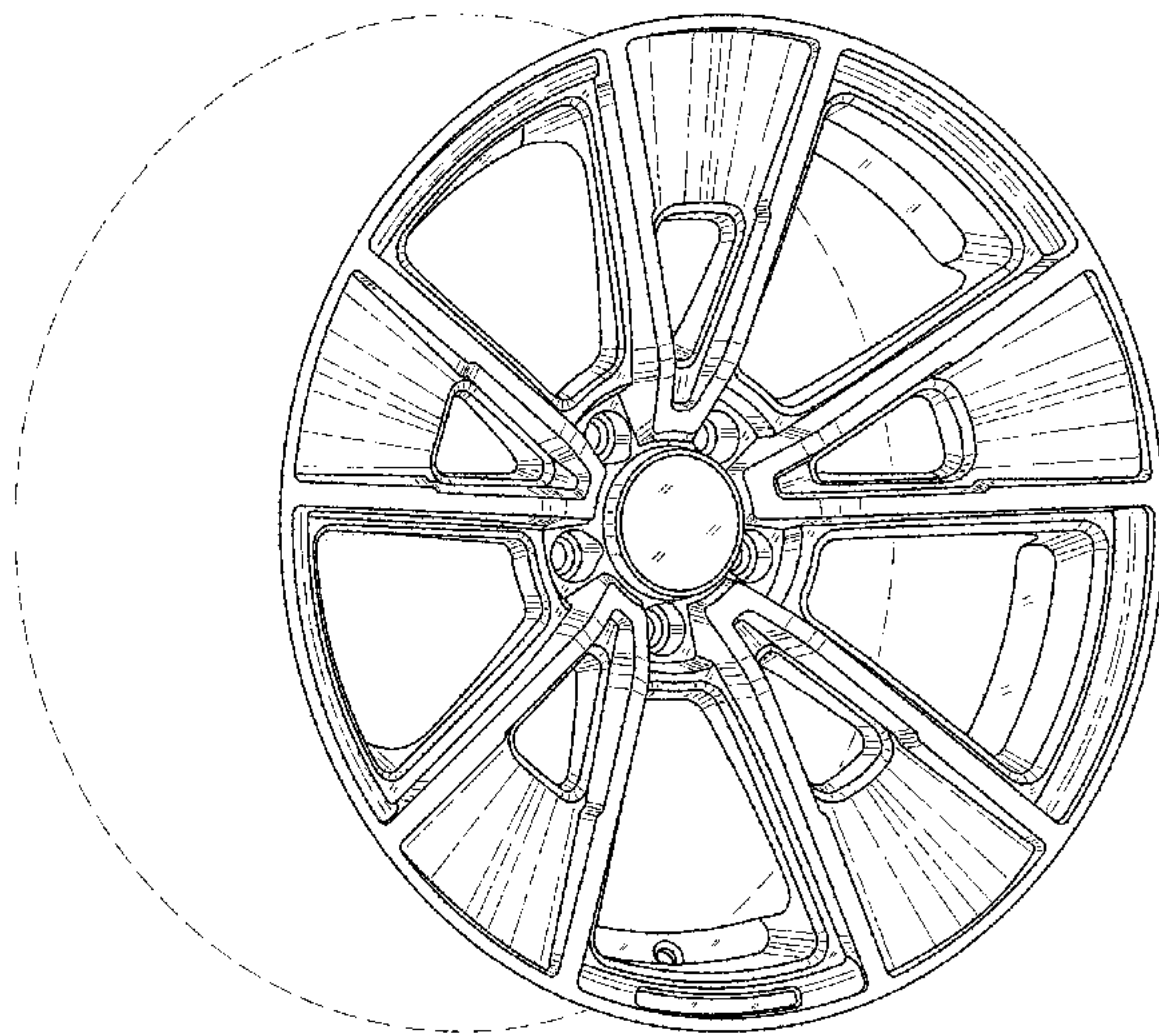


FIGURE 1

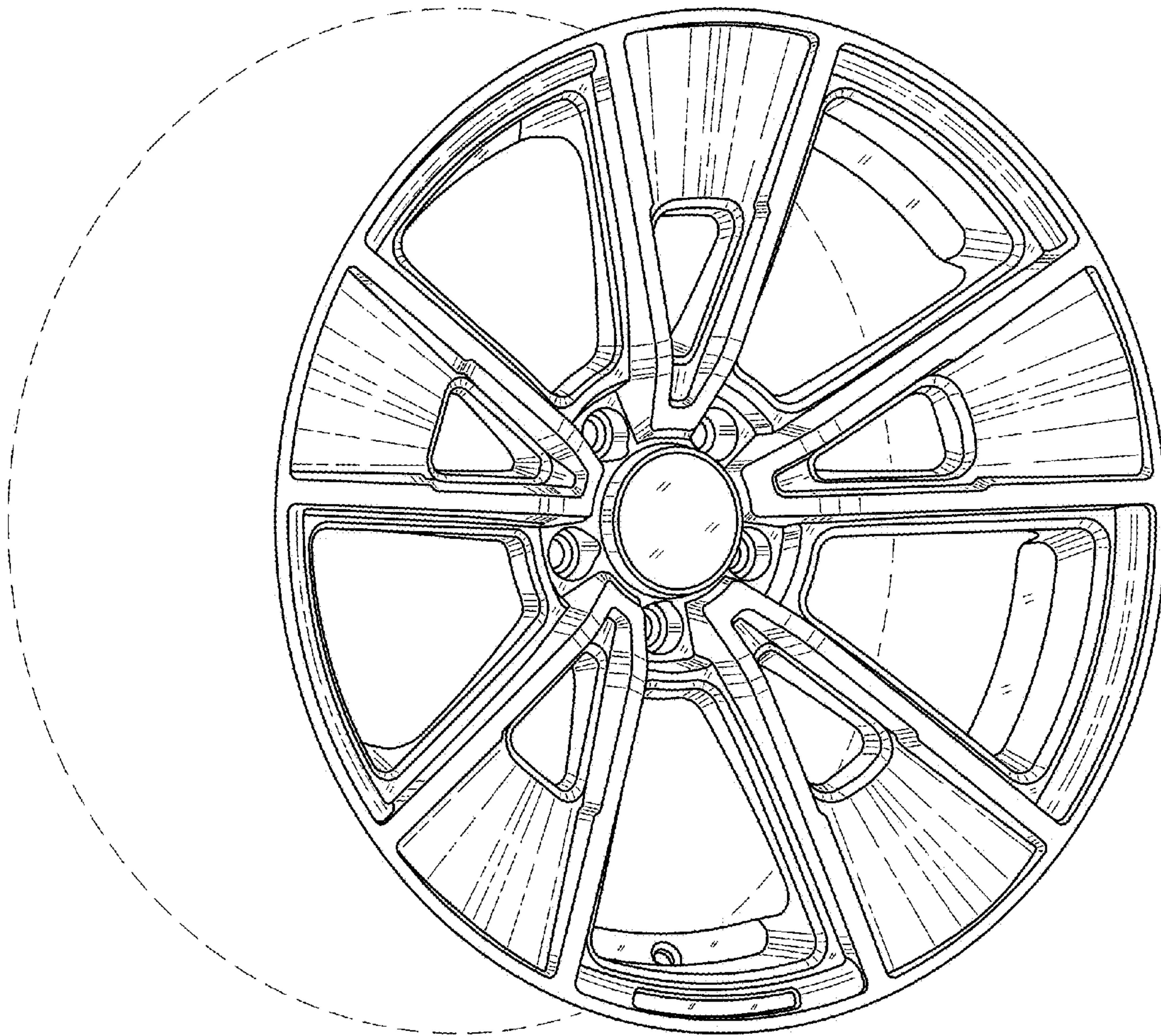


FIGURE 2

