



US00D750003S

(12) **United States Design Patent**  
**Ahmad**

(10) **Patent No.:** **US D750,003 S**

(45) **Date of Patent:** **\*\* Feb. 23, 2016**

(54) **WHEEL**

(71) Applicant: **DESIGN MASTERS**, Santa Fe, NM  
(US)

(72) Inventor: **Saad Mahmood Ahmad**, Lahore (PK)

(\*\*) Term: **15 Years**

(21) Appl. No.: **29/532,905**

(22) Filed: **Jul. 10, 2015**

(51) **LOC (10) Cl.** ..... **12-16**

(52) **U.S. Cl.**  
USPC ..... **D12/211**

(58) **Field of Classification Search**  
USPC ..... D12/204–213  
CPC ..... B60B 7/00; B60B 7/02; B60B 7/04;  
B60B 7/01; B60B 7/06; B60B 3/02; B60B  
3/04; B60B 3/06; B60B 3/10; B60B 1/00;  
B60B 1/08; B60B 1/10; B60B 1/12

See application file for complete search history.

(56) **References Cited**

**U.S. PATENT DOCUMENTS**

D495,652 S	*	9/2004	James	.....	D12/211
D515,003 S	*	2/2006	Echazabal	.....	D12/211
D516,987 S	*	3/2006	Sulahian	.....	D12/211
D552,525 S	*	10/2007	Celik	.....	D12/211
D605,999 S	*	12/2009	Stopp	.....	D12/211
D622,200 S	*	8/2010	Zhao	.....	D12/211
D629,733 S	*	12/2010	Tirado	.....	D12/211
D630,567 S	*	1/2011	Ettensberger	.....	D12/211
D649,104 S	*	11/2011	Gallert	.....	D12/211
D656,879 S	*	4/2012	Gallert	.....	D12/211
D659,071 S	*	5/2012	Hale, Jr.	.....	D12/211
D666,957 S	*	9/2012	Antoniadis et al.	.....	D12/211
D669,008 S	*	10/2012	von Holzhausen et al.	.....	D12/211
D670,226 S	*	11/2012	Muller	.....	D12/211
D690,643 S	*	10/2013	Kern	.....	D12/211

D703,602 S	*	4/2014	Kern	.....	D12/211
D709,018 S		7/2014	Chung		
D709,019 S	*	7/2014	Hale, Jr.	.....	D12/211
D713,312 S		9/2014	Villarruel		
D714,203 S		9/2014	George et al.		
D714,706 S		10/2014	Chung		
D715,208 S		10/2014	Grake et al.		
D715,715 S		10/2014	Pollmann		
D715,718 S		10/2014	Gotschke et al.		
D715,719 S		10/2014	Platto et al.		
D715,720 S		10/2014	Ender		
D716,213 S		10/2014	Zhang		
D717,709 S		11/2014	Valencia Pollex		
D717,710 S		11/2014	Chung		
D719,888 S		12/2014	Stolz		
D719,889 S		12/2014	Hodges		
D720,269 S		12/2014	Hodges		
D720,676 S		1/2015	Caswell et al.		
D720,677 S		1/2015	Diephuis et al.		
D720,679 S		1/2015	Garbas		
D722,546 S		2/2015	Perini		
D722,938 S		2/2015	Chung		
D723,991 S		3/2015	Lemke		
D724,515 S		3/2015	Chung		

(Continued)

*Primary Examiner* — Stacia Cadmus

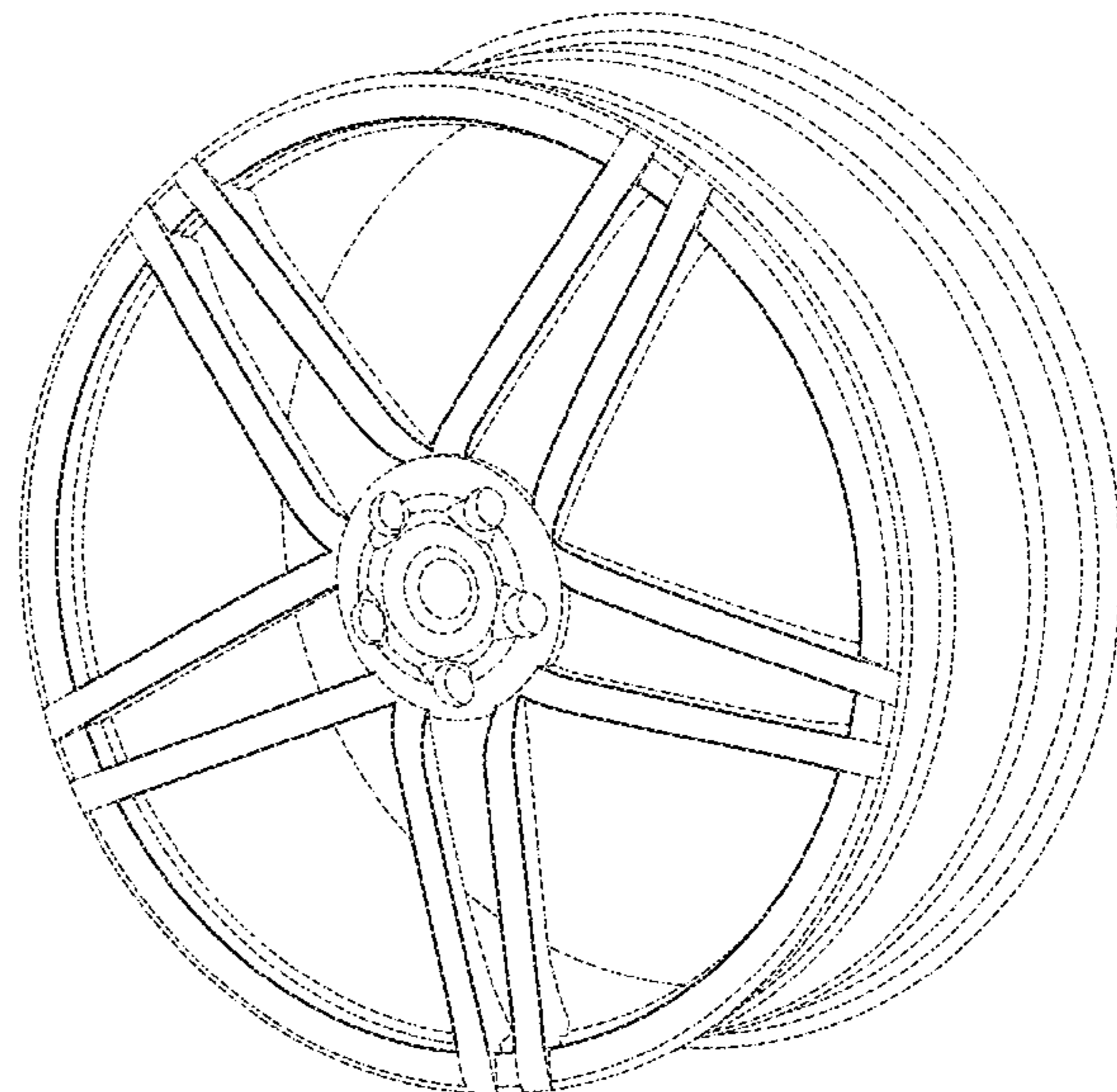
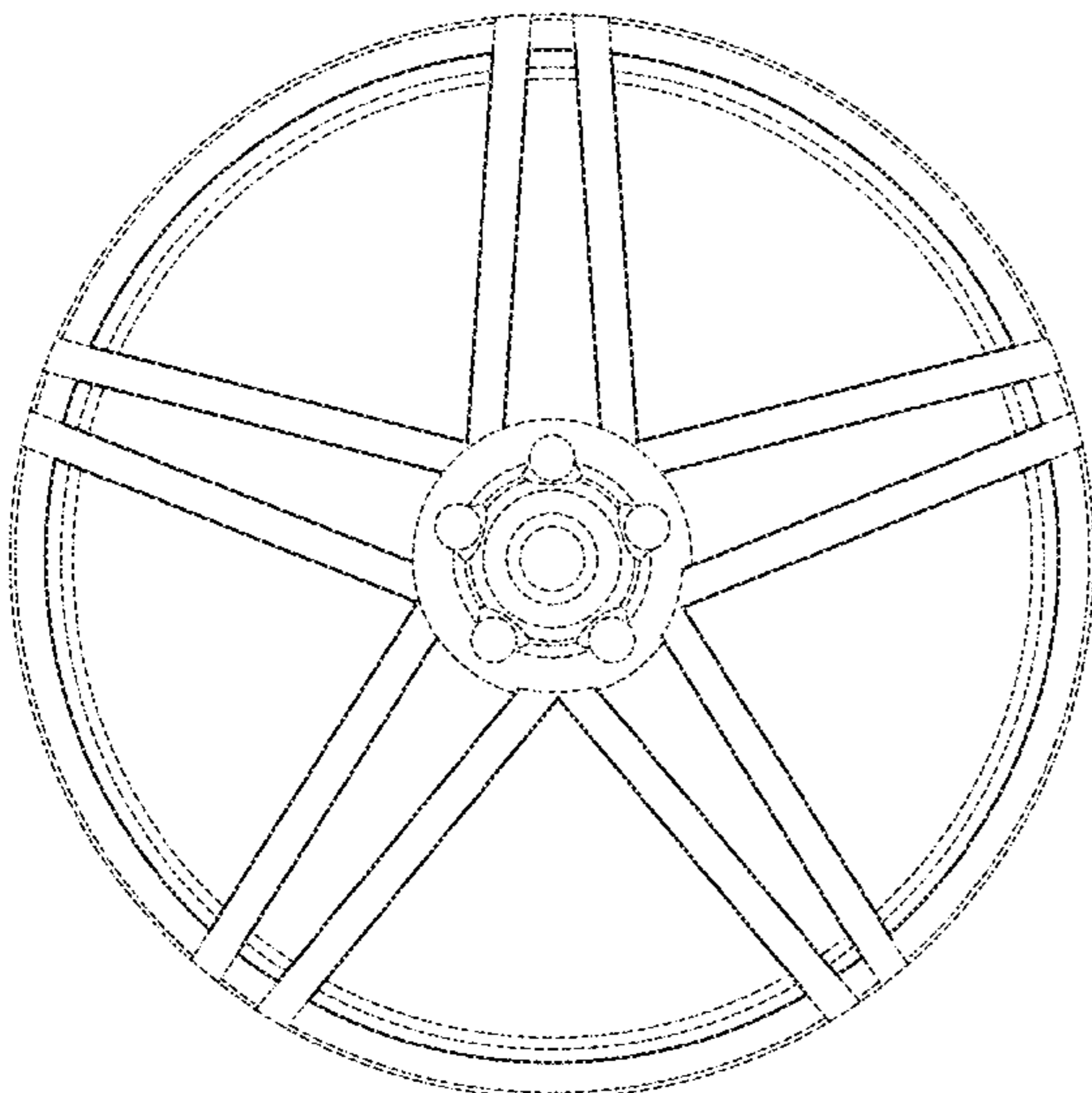
(57) **CLAIM**

I claim the ornamental design for a wheel, as shown and described.

**DESCRIPTION**

FIG. 1 is a front view of a wheel.  
FIG. 2 is a front perspective view of a wheel; and,  
FIG. 3 is a rear perspective view of a wheel.  
All broken lines, including but not limited to the broken lines showing of a rear portion of a rim of a wheel, a rear portion of spokes of a wheel, an end portion of spokes of a wheel, and a central hub portion of a wheel, are included solely for the purpose of illustration and form no part of the claimed design.

**1 Claim, 3 Drawing Sheets**



(56)

**References Cited**

U.S. PATENT DOCUMENTS

D724,516 S	3/2015	Di Buduo et al.	D728,440 S	5/2015	Osborne et al.
D725,567 S	3/2015	George et al.	D728,441 S	5/2015	Zhang
D726,085 S	4/2015	Hodges	D729,138 S	5/2015	Davidson et al.
D726,086 S	4/2015	Muntada Roura	D729,719 S	5/2015	Muntada Roura
D726,088 S	4/2015	Hodges	D730,259 S	5/2015	Aydin
D726,623 S *	4/2015	Alfonso ..... D12/211	D730,260 S	5/2015	Chung
D726,624 S	4/2015	Chung	D730,261 S	5/2015	Johnson
D726,628 S	4/2015	Kong	D730,795 S	6/2015	Mays et al.
D727,232 S	4/2015	Frei	D730,796 S	6/2015	Dingle et al.
D727,821 S	4/2015	Vena et al.	D730,800 S	6/2015	Behmer et al.
D727,823 S	4/2015	Rueckheim	D731,390 S	6/2015	Kobayashi
D727,825 S	4/2015	Chung	D731,943 S	6/2015	Holstein
D727,826 S	4/2015	Chung	D731,944 S *	6/2015	Kern ..... D12/211
D727,829 S	4/2015	Chung	D731,946 S	6/2015	Chung
			D732,449 S	6/2015	Grake et al.
			D732,454 S	6/2015	Szews
			D733,632 S *	7/2015	Juergens et al. .... D12/211

\* cited by examiner

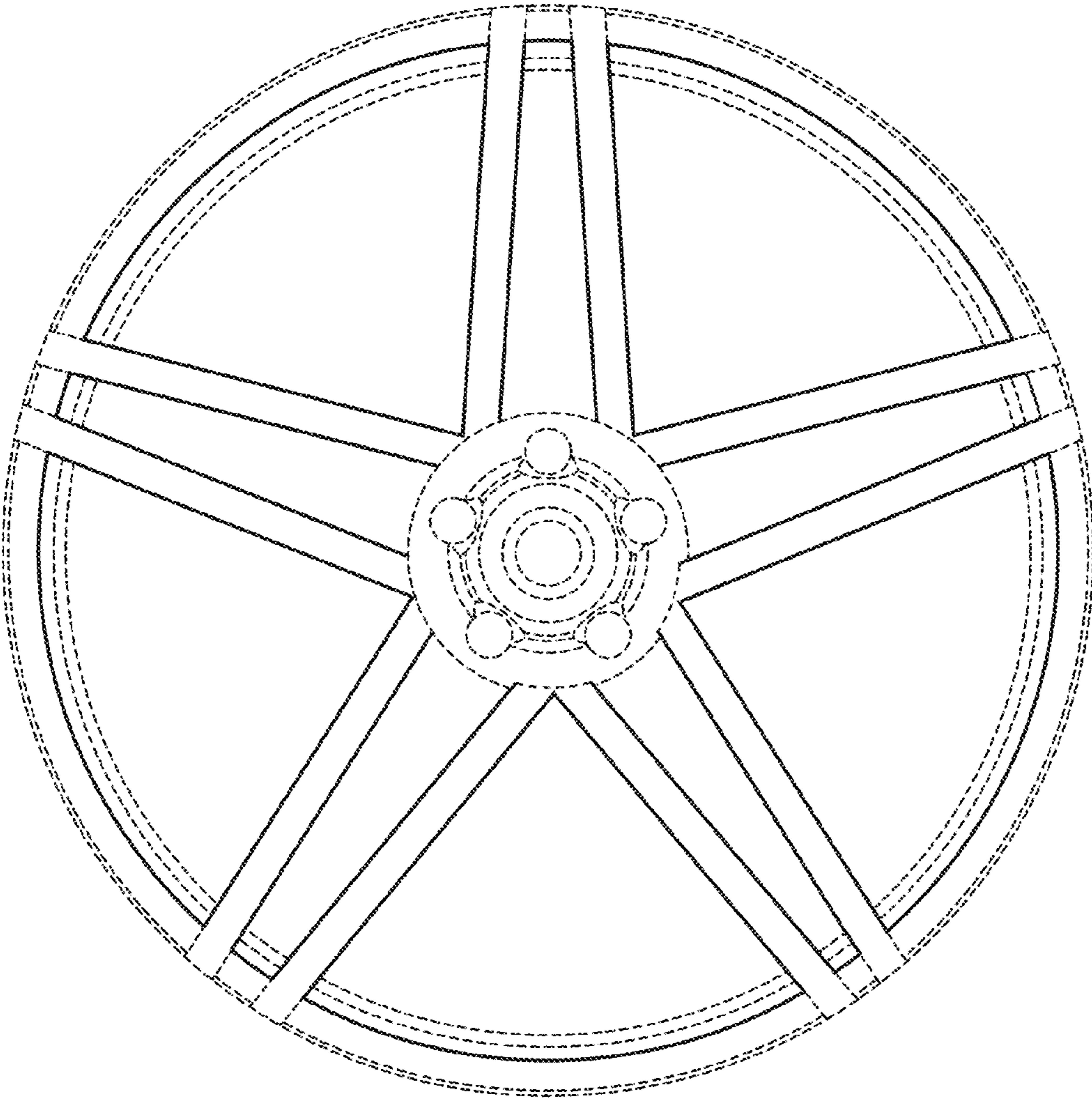


FIG. 1



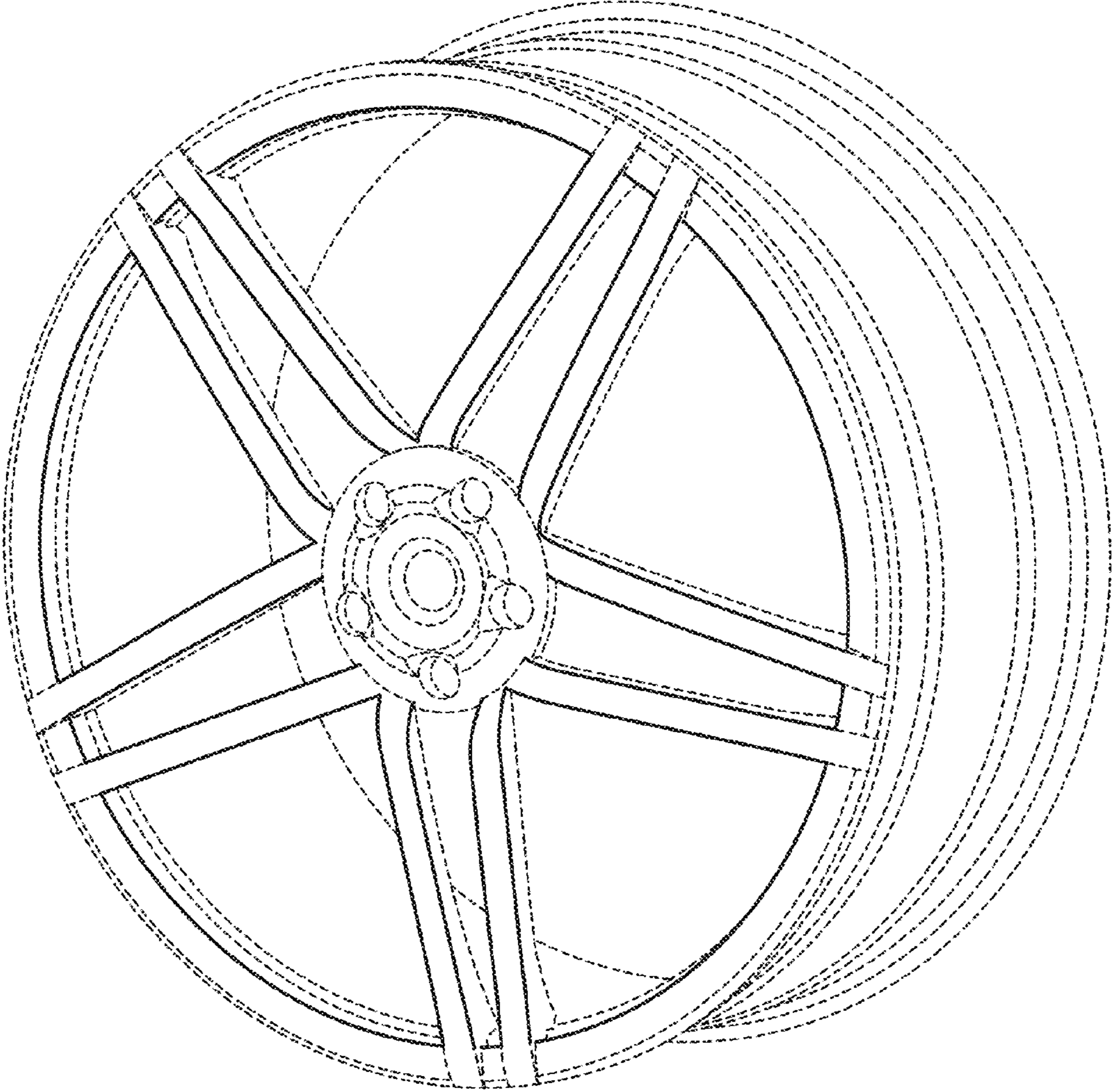


FIG. 2

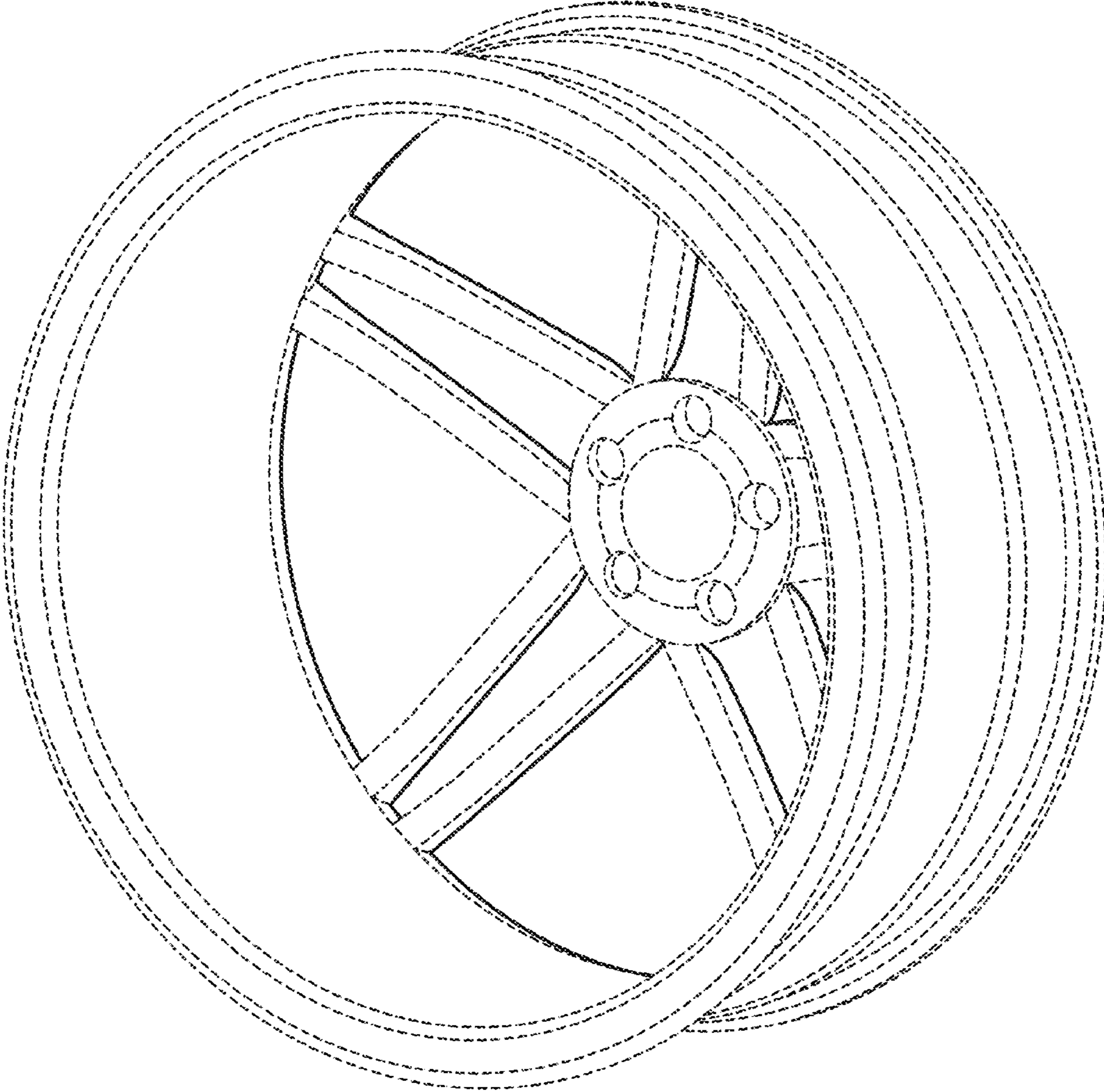


FIG. 3