



US00D750001S

(12) **United States Design Patent**
Thole et al.

(10) **Patent No.:** **US D750,001 S**
(45) **Date of Patent:** **** Feb. 23, 2016**

(54) **VEHICLE FRONT FENDER**

(56) **References Cited**

(71) Applicant: **GM GLOBAL TECHNOLOGY OPERATIONS LLC**, Detroit, MI (US)

(72) Inventors: **Louis D Thole**, Grosse Pointe Park, MI (US); **Marc A. Mainville**, Grosse Pointe Woods, MI (US)

(73) Assignee: **GM Global Technology Operations LLC**, Detroit, MI (US)

(**) Term: **14 Years**

(21) Appl. No.: **29/500,882**

(22) Filed: **Aug. 29, 2014**

(51) **LOC (10) Cl.** **12-16**

(52) **U.S. Cl.**
USPC **D12/184**

(58) **Field of Classification Search**
USPC D12/184, 196, 90–92; 280/152.1, 847, 280/848, 849, 851; 296/181.1, 181.5
CPC B62D 25/02; B62D 25/16; B62D 25/18; B62D 25/162; B62D 25/161; B62D 25/168; B62D 25/182; B62D 25/186; B62D 25/188

See application file for complete search history.

U.S. PATENT DOCUMENTS

D669,405 S *	10/2012	Gifford	D12/184
D679,642 S *	4/2013	Schmeckpeper	D12/184
D685,705 S *	7/2013	Munson	D12/184
D695,172 S *	12/2013	Kavaja	D12/184
D718,688 S *	12/2014	Thole	D12/184
D721,314 S *	1/2015	Platto	D12/184
D722,930 S *	2/2015	George	D12/184

OTHER PUBLICATIONS

Design U.S. Appl. No. 29/466,640, filed Sep. 10, 2013; First Named Inventor: Louis D. Thole; Title: Vehicle Front Fender.
Design U.S. Appl. No. 29/477,931, filed Dec. 30, 2013; First Named Inventor: Louis D. Thole; Title: Vehicle Body Exterior.

* cited by examiner

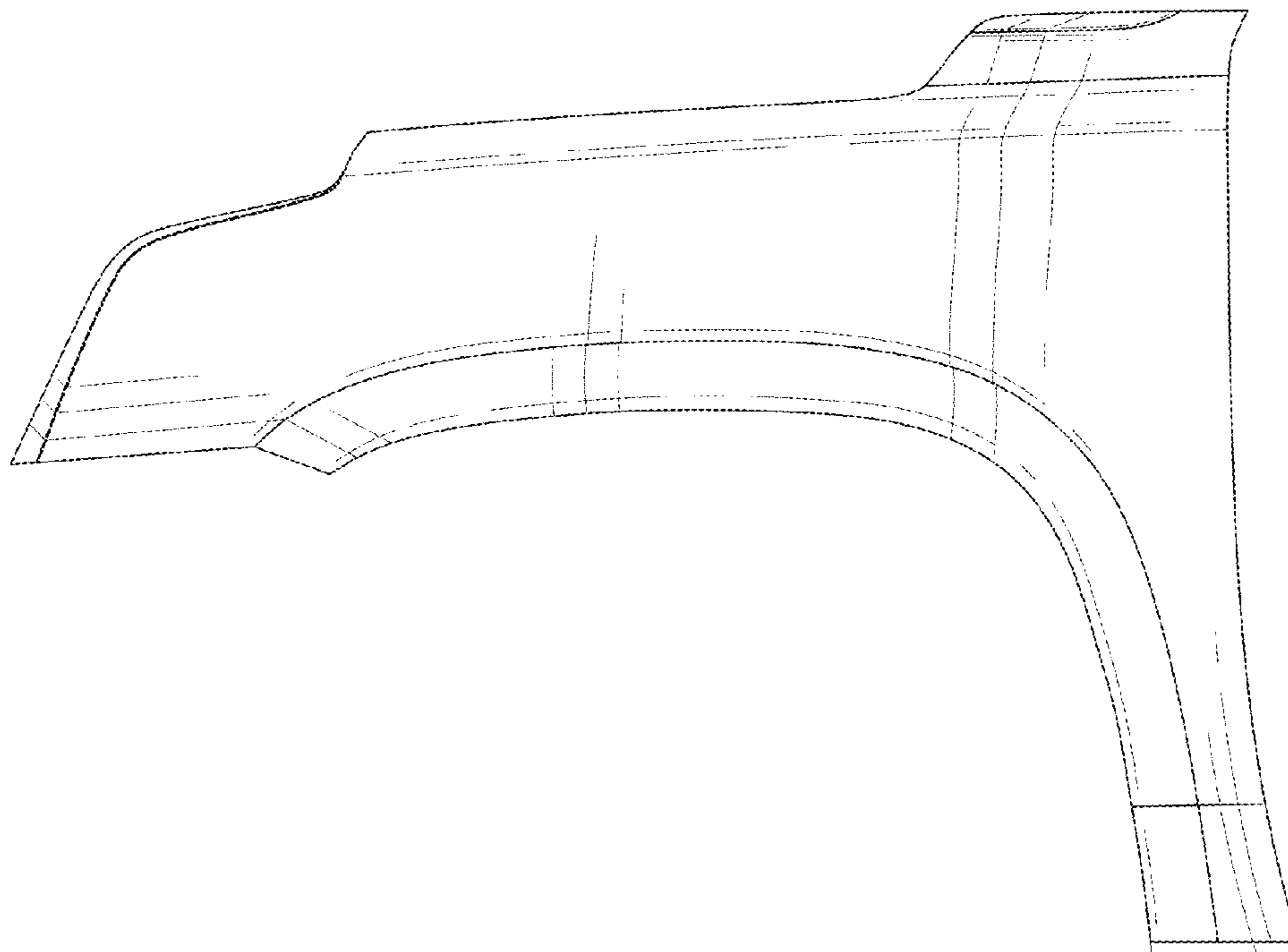
Primary Examiner — Melody N Brown
(74) *Attorney, Agent, or Firm* — Reising Ethington P.C.

(57) **CLAIM**
The ornamental design for a vehicle front fender, as shown and described.

DESCRIPTION

FIG. 1 is a front perspective view of a vehicle front fender showing our new design;
FIG. 2 is a front view thereof;
FIG. 3 is a side elevation view thereof; and,
FIG. 4 is a top plan view thereof.
The broken lines shown in the drawings depict portions of the vehicle front fender that form no part of the claimed design.

1 Claim, 2 Drawing Sheets



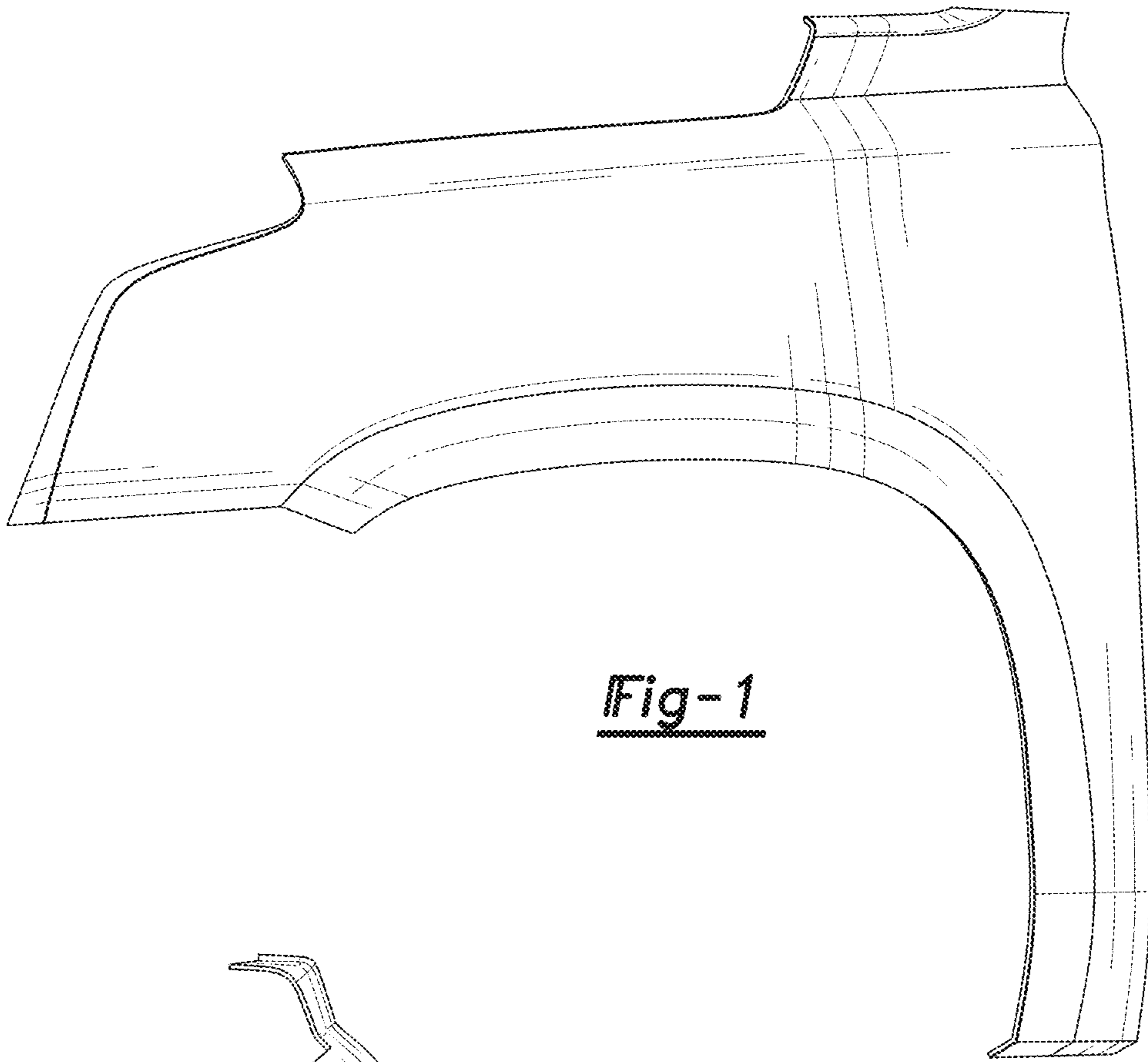


Fig-1

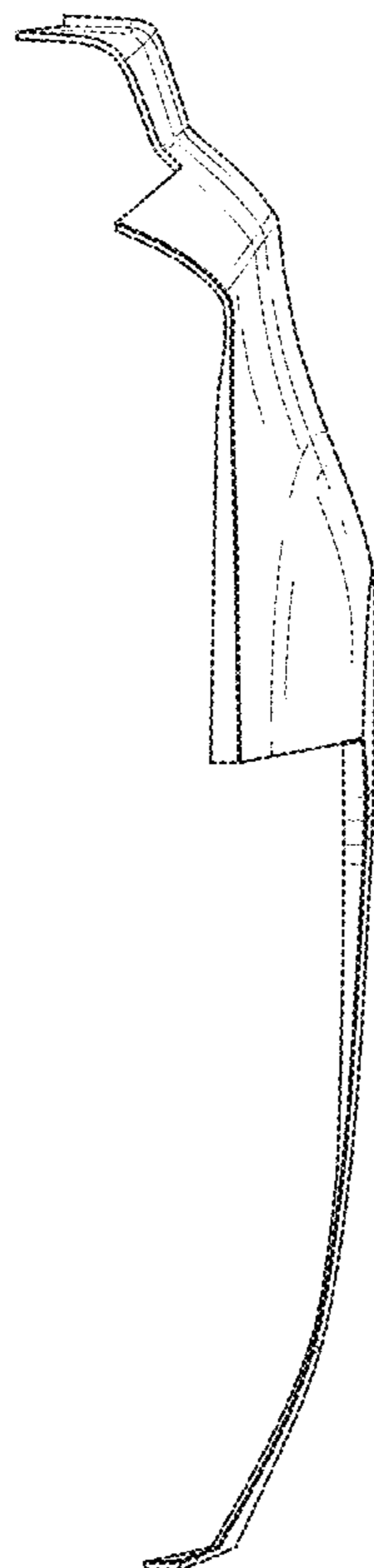


Fig-2

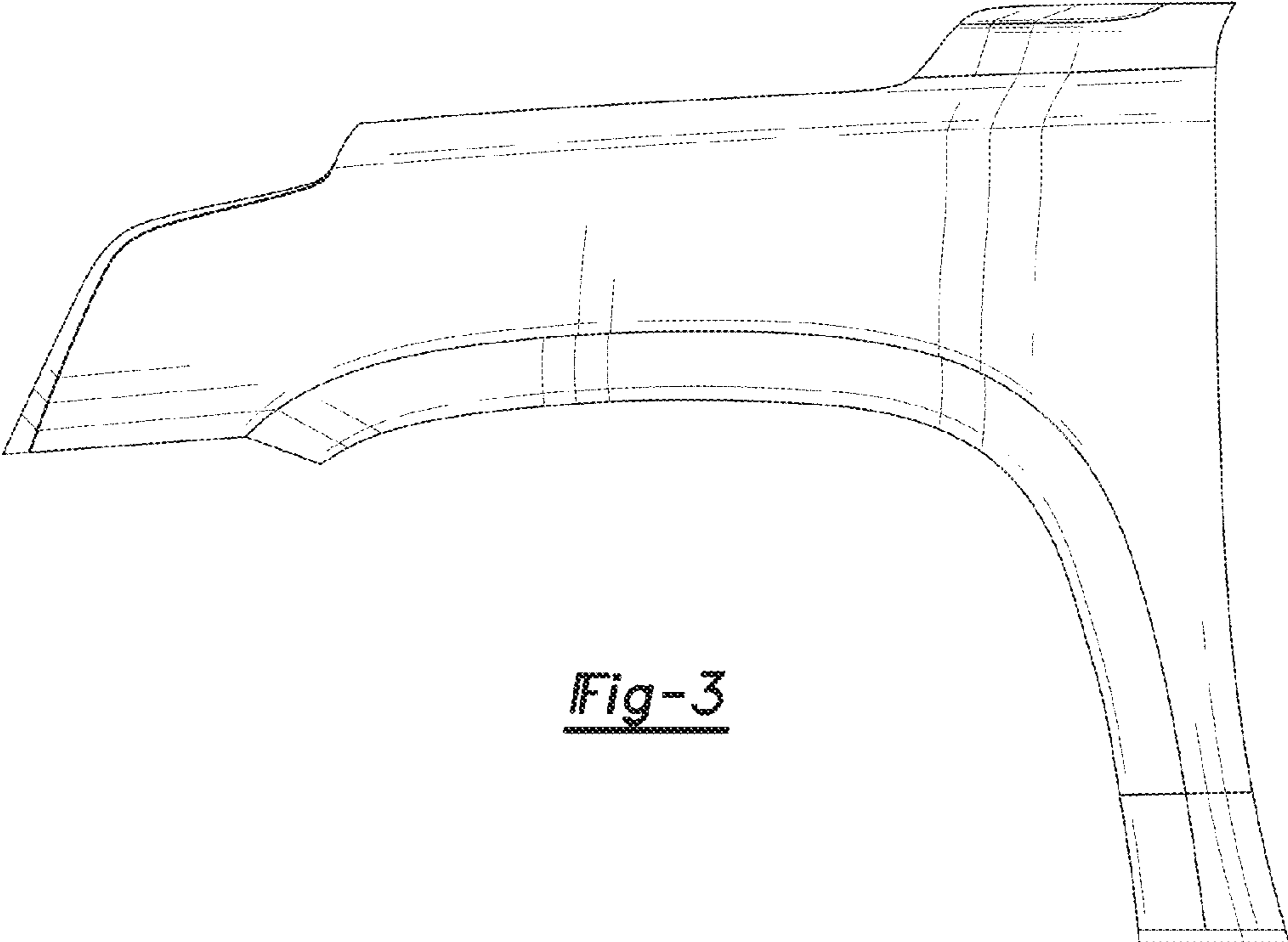


Fig-3

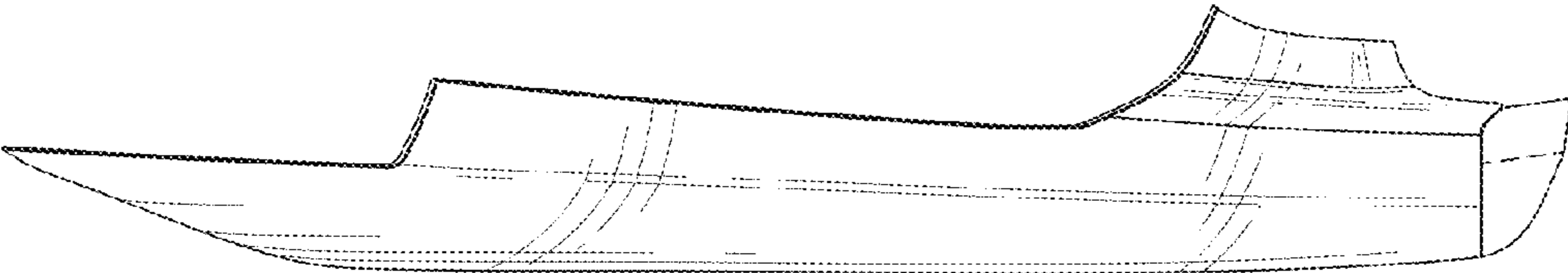


Fig-4